

SIEMENS



Fridge-freezer

Холодильно-морозильная комбинация

Soğutucu/Dondurucu kombine cihazı

KG..N..

siemens-home.bsh-group.com/welcome

en	Installation instructions and instructions for use	4
ru	Инструкция по монтажу и эксплуатации	33
tr	Montaj ve kullanma kılavuzu	67

Register
your
product
online

en Table of Contents

Safety and warning information	4	Freezer compartment	23
Information concerning disposal	7	Max. freezing capacity	23
Scope of delivery	7	Freezing and storing food	23
Installation location	8	Freezing fresh food	24
Aligning the appliance	8	Super freezing	25
Observe ambient temperature and ventilation	8	Thawing frozen food	25
Connecting the appliance	9	Interior fittings	25
Getting to know your appliance	10	Sticker "OK"	27
Switching on the appliance	11	Switching off and disconnecting the appliance	27
Setting the temperature	12	Cleaning the appliance	27
Special functions	12	Light (LED)	29
Alarm function	13	Tips for saving energy	29
Home Connect	14	Operating noises	29
Usable capacity	20	Eliminating minor faults yourself	30
Refrigerator compartment	20	Appliance self-test	32
Super cooling	22	Customer service	32

ru Содержание

Указания по безопасности и предупреждения	33	замораживания	54
Указания по утилизации	37	Замораживание и хранение продуктов	54
Объем поставки	38	Замораживание свежих продуктов питания	55
Место установки	38	Суперзамораживание	56
Выравнивание прибора	38	Размораживание продуктов	57
Температура окружающей среды и вентиляция	39	Специальное оснащение	58
Подключение бытового прибора ...	39	Наклейка «OK»	59
Знакомство с бытовым прибором	41	Выключение прибора и вывод его из эксплуатации	60
Включение прибора	42	Чистка прибора	60
Установка температуры	43	Освещение (на светодиодах)	61
Специальные функции	43	Как сэкономить электроэнергию	62
Предупредительная функция	44	Рабочие шумы	62
Home Connect	45	Самостоятельное устранение мелких неисправностей	63
Полезный объем	51	Самопроверка прибора	66
Холодильное отделение	51	Сервисная служба	66
Суперохлаждение	53		
Морозильное отделение	54		
Макс. производительность			

tr İçindekiler

Güvenlik ve ikaz bilgileri	67	Azami dondurma kapasitesi	85
Giderme bilgileri	70	Besinlerin dondurulması ve	
Teslimat kapsamı	71	depolanması	86
Cihazın kurulacağı yer	71	Taze besinlerin dondurulması	86
Cihazın doğru konumlandırılması	72	Süper dondurma	87
Mekan sıcaklığına ve		Dondurulmuş besinlerin buzunun	
havalandırmaya dikkat edilmelidir	72	çözülmesi	88
Cihazın elektrik şebekesine		Dolap	88
bağlanması	72	Çıkartma "OK"	89
Cihaz özelliklerinin öğrenilmesi	73	Cihazın kapatılması, cihazın	
Cihazın açılması	75	tamamen kapatılması	90
Sıcaklık derecesinin ayarlanması	75	Cihazın temizlenmesi	90
Özel fonksiyonlar	75	Aydınlatma (LED)	92
Alarm fonksiyonu	76	Enerji tasarrufu	92
Home Connect	77	Çalışma sesleri	92
Kullanılabilen hacim	83	Basit hataları kendiniz	
Soğutucu bölmesi	83	giderebilirsiniz	93
Süper soğutma	85	Cihazın kendini test etmesi	95
Dondurucu bölmesi	85	Müşteri Hizmetleri	95

Safety and warning information

Before you switch ON the appliance

Please read the operating and installation instructions carefully! They contain important information on how to install, use and maintain the appliance. The manufacturer is not liable if you fail to comply with the instructions and warnings. Retain all documents for subsequent use or for the next owner.

Technical safety



Fire hazard

The tubes of the refrigeration circuit convey a small quantity of an environmentally friendly but flammable refrigerant (R600a). It does not damage the ozone layer and does not increase the greenhouse effect. If refrigerant escapes, it may injure your eyes or ignite.

If damage has occurred

- Keep naked flames and/or ignition sources away from the appliance,
- thoroughly ventilate the room for several minutes,
- switch off the appliance and pull out the mains plug,
- inform customer service.

The more refrigerant an appliance contains, the larger the room must be in which the appliance is situated. Leaking refrigerant can form a flammable gas-air mixture in rooms which are too small. The room must be at least 1 m³ per 8 g of refrigerant. The amount of refrigerant in your appliance is indicated on the rating plate inside the appliance.

When installing the appliance, ensure that the mains cable is not trapped or damaged.

If the power cord of this appliance is damaged, it must be replaced by the manufacturer, Customer Service or a similarly qualified person. Improper installations and repairs may put the user at considerable risk.

Repairs may be performed by the manufacturer, customer service or a similarly qualified person only.

Only original parts supplied by the manufacturer may be used. The manufacturer guarantees that only these parts satisfy the safety requirements.

Do not use multiple sockets, extension leads or adapters.



Fire hazard

Portable multiple outlets or power supplies may overheat, causing a fire.

Never leave portable multiple outlets or portable power supplies behind the appliance.

Important information when using the appliance

- Never use electrical appliances inside the appliance (e.g. heaters, electric ice makers, etc.). Risk of explosion!
- Never defrost or clean the appliance with a steam cleaner! The steam may penetrate electrical parts and cause a short-circuit. Risk of electric shock!
- Do not use additional means to accelerate the defrosting process other than those recommended by the manufacturer. Risk of explosion!
- Do not use pointed or sharp-edged implements to remove frost or layers of ice. You might damage the refrigerant tubes. Leaking refrigerant may cause eye injuries or ignite.
- Do not store products which contain flammable propellant (e.g. spray cans) or explosive substances in the appliance. Risk of explosion!
- Do not stand on or lean heavily against the base of the appliance, drawers, doors, etc.
- For defrosting and cleaning, pull out the mains plug or switch off the fuse. Do not pull out the mains plug by tugging on the power cord.
- Store high-percentage alcohol tightly sealed and in an upright position.
- Keep plastic parts and the door seal free of oil and grease. Otherwise, plastic parts and the door seal will become porous.
- Never cover or block the ventilation openings of the appliance.
- Do not store bottled or canned liquids (especially carbonated drinks) in the freezer compartment. Bottles and cans may burst!

■ **Avoiding placing children and vulnerable people at risk:**

At risk here are children, people who have limited physical, mental or sensory abilities, as well as people who have inadequate knowledge concerning safe operation of the appliance.

Check that children and vulnerable people have understood the hazards.

A person responsible for safety must supervise or instruct children and vulnerable people who are using the appliance.

Only children aged 8 years and above may use the appliance.

Supervise children while the appliance is being cleaned or maintained.

Never allow children to play with the appliance.

- Never put frozen food straight from the freezer compartment in your mouth.
Risk of low-temperature burns!
- Avoid prolonged touching of frozen food, ice or the evaporator pipes, etc.
Risk of low-temperature burns!

Children in the household

- Keep children away from packaging and its parts.
Danger of suffocation from folding cartons and plastic film!
- Do not allow children to play with the appliance!
- If the appliance features a lock:
keep the key out of the reach of children!

General regulations

The appliance is suitable

- for refrigerating and freezing food,
- for making ice.

This appliance is intended for use in the home and the home environment.

The refrigeration circuit has been checked for leaks.

This appliance complies with the relevant safety regulations for electrical appliances and is fitted with noise suppression.

This appliance is intended for use up to a maximum height of 2000 metres above sea level.

Information concerning disposal

Disposal of packaging

The packaging protects your appliance from damage during transit. All utilised materials are environmentally safe and recyclable. Please help us by disposing of the packaging in an environmentally friendly manner.

Please ask your dealer or inquire at your local authority about current means of disposal.

Disposal of your old appliance

Old appliances are not worthless rubbish! Valuable raw materials can be reclaimed by recycling old appliances.



This appliance is labelled in accordance with European Directive 2012/19/EU concerning used electrical and electronic appliances (waste electrical and electronic equipment - WEEE). The guideline determines the framework for the return and recycling of used appliances as applicable throughout the EU.

Warning

Redundant appliances

1. Pull out the mains plug.
2. Cut off the power cord and discard with the mains plug.
3. Do not take out the trays and receptacles: children are therefore prevented from climbing in!
4. Do not allow children to play with the appliance once it has spent its useful life. Danger of suffocation!

Refrigerators contain refrigerant and gases in the insulation. Refrigerant and gases must be disposed of professionally. Ensure that tubing of the refrigerant circuit is not damaged prior to proper disposal.

Scope of delivery

After unpacking all parts, check for any damage in transit.

If you have any complaints, please contact the dealer from whom you purchased the appliance or our customer service.

The delivery consists of the following parts:

- Free-standing appliance
- Interior fittings (depending on model)
- Bag containing installation materials
- Operating instructions
- Installation manual
- Customer service booklet
- Warranty enclosure
- Information on the energy consumption and noises

Installation location

A dry, well ventilated room is suitable as an installation location. The installation location should not be exposed to direct sunlight and not placed near a heat source, e.g. a cooker, radiator, etc. If installation next to a heat source is unavoidable, use a suitable insulating plate or observe the following minimum distances from the heat source:

- 3 cm to electric or gas cookers.
- 30 cm to an oil or coal-fired cooker.

The floor of the installation location must not give way; if required, reinforce floor. If the floor is uneven, compensate with supports.

Distance from wall

When installing the appliance, ensure that the door can be opened by 90°.

Aligning the appliance

Place the appliance in the designated location and align. The appliance must be level and stand securely on the floor. If the floor is uneven, use the front height-adjustable feet. Adjust the height-adjustable feet with a spanner.

Note

The appliance must be vertical. Please align it with a spirit level.

Observe ambient temperature and ventilation

Ambient temperature

The appliance is designed for a specific climate class. Depending on the climate class, the appliance can be operated at the following temperatures.

The climate class can be found on the rating plate. Fig. **16**

Climate class	Permitted ambient temperature
SN	+10 °C to 32 °C
N	+16 °C to 32 °C
ST	+16 °C to 38 °C
T	+16 °C to 43 °C

Note

The appliance is fully functional within the room temperature limits of the indicated climatic class. If an appliance of climatic class SN is operated at colder room temperatures, the appliance will not be damaged up to a temperature of +5 °C.

Ventilation

Fig. **2**

The air on the rear panel and on the side panels of the appliance heats up. Conduction of the heated air must not be obstructed. Otherwise, the refrigerating unit must work harder. This increases power consumption. Therefore: Never cover or block the ventilation openings!

Connecting the appliance

After installing the appliance, wait at least 1 hour until the appliance is switched on. During transportation the oil in the compressor may have flowed into the refrigeration system.

Before switching on the appliance for the first time, clean the interior of the appliance (see chapter "Cleaning the appliance").

Electrical connection

The socket must be near the appliance and also freely accessible following installation of the appliance.

Warning

Risk of electric shock!

If the length of the mains cable is inadequate, never use multiple sockets or extension leads. Instead, please contact Customer Service for alternatives.

The appliance complies with protection class I. Connect the appliance to 220–240 V/50 Hz alternating current via a correctly installed socket with protective conductor. The socket must be protected by a 10 A to 16 A fuse.

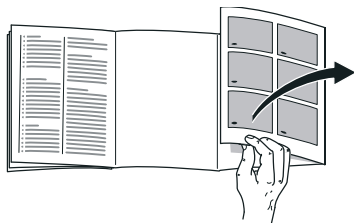
For appliances operated in non-European countries, check whether the indicated voltage and current type match the values of your electricity supply. This information can be found on the rating plate, Fig. **16**.

Warning

Never connect the appliance to electronic energy saver plugs.

Our appliances can be used with mains and sine-controlled inverters. Mains-controlled inverters are used for photovoltaic systems which are connected directly to the national grid. Sine-controlled inverters must be used for isolated applications (e.g. on ships or in mountain lodges) which are not connected directly to the national grid.

Getting to know your appliance



Please fold out the illustrated last page. These operating instructions refer to several models.

The features of the models may vary.

The diagrams may differ.

Fig. **1**

* Not all models.

- A Refrigerator compartment
- B Freezer compartment

- 1–18 Controls
- 19* Butter and cheese compartment
- 20 Camera
- 21 Shelf for small bottles
- 22 Shelf for large bottles
- 23 Light (LED)
- 24* Bottle shelf
- 25* Breakfast set
- 26 Cold storage compartment
- 27 Vegetable container with humidity control
- 28* Ice maker/Ice cube container
- 29* Frozen food container

Controls

Fig. **4**

- 1 **Temperature display refrigerator compartment**
The numbers correspond to the set refrigerator compartment temperatures in °C.
- 2 **Display super cooling**
This lights up if super cooling is in operation.
- 3 **Temperature display freezer compartment**
The numbers correspond to the set freezer compartment temperatures in °C.
- 4 **Display super freezing**
This lights up if super freezing is in operation.
- 5 **Display vacation**
This lights up when the vacation mode is switched on.
- 6 **Display fresh**
This lights up when the freshness mode is switched on.
- 7 **Eco mode indicator**
This lights up when the eco mode is switched on.
- 8 **Button mode**
Selecting the special functions.
- 9 **Super button**
Used to switch on the functions super cooling (fridge compartment) and super freezing (freezer compartment).
- 10 **Setting buttons +/-**
The buttons are used to set the temperatures of the refrigerator and freezer compartment.
- 11 **lock button**
Used to switch on the lock function.

12 °C button to select the room and alarm off

Used to select a room. This is necessary to change its temperature or to switch on certain special functions.

Used to switch off the alarm.

13 Button “lock” function

If this function is switched on, no settings are possible via the controls.

14 Display alarm off

This lights up if the appliance becomes too warm.

15 Display alarm

This lights up if the freezer compartment is too warm or if the freezer compartment door is open too long.

16 Display freeze

This lights up if the freezer compartment is selected.

17 Alarm display

This lights up if the refrigerator compartment door is open too long.

18 Display cool

This lights up if the fridge compartment is selected.

Switching on the appliance

1. First insert the plug into the connection on the back of the appliance. Check that the plug has been inserted all the way.
2. Then insert the other end of the cable into the socket.

The appliance is now switched on and a warning signal sounds.

Press the °C button to switch off the audible warning signal.

The alarm display goes out when the appliance has reached the set temperature.

The preset temperatures are reached after several hours. Do not put any food in the appliance beforehand.

The factory has recommended the following temperatures:

- Freezer compartment: -18 °C
- Refrigerator compartment: +4 °C

Operating tips

- After the appliance has been switched on, it may take several hours until the set temperatures have been reached.
- The fully automatic NoFrost system ensures that the freezer section remains free of ice. Defrosting is no longer required.
- If the door cannot be immediately re-opened after it has been closed, wait until the resulting low pressure has equalised.
- The front and side panels of the housing are partly heated slightly. This prevents condensation from forming.

Setting the temperature

Fig. 4

Refrigerator section

The temperature can be set from +2°C to +8°C.

1. Select the refrigerator section using the °C button.
2. Keep pressing the +/- buttons until the required temperature is indicated.

Perishable food should not be stored above +4 °C.

Freezer compartment

The temperature can be set from -16°C to -24°C.

1. Select the freezer compartment using the °C button.
2. Keep pressing the +/- buttons until the required temperature is indicated.

Special functions

Fig. 4

Fresh mode

Fresh mode gives food an even longer shelf life.

Switching on:

Press the mode button until the fresh display appears.

The appliance automatically sets the following temperatures:

- Refrigerator section: + 2°C
- Freezer section: remains unchanged

Switching off:

Press the mode button repeatedly until the fresh display goes off.

Eco mode

Eco mode switches the appliance to energy-saving operation.

Switching on:

Press the mode button until the "eco mode" indicator appears.

The appliance automatically sets the following temperatures:

- Refrigerator section: +8°C
- Freezer section: -16°C

Switching off:

Press the mode button until the "eco mode" indicator goes off.

Holiday mode

If leaving the appliance for a long period of time, you can switch the appliance over to the energy-saving holiday mode.

The temperature of the refrigerator compartment is automatically switched to +14 °C.

Do not store any food in the refrigerator compartment during this time.

Switching on:

Press the mode button repeatedly until the vacation display appears.

The appliance automatically sets the following temperatures:

- Refrigerator section: +14°C
- Freezer compartment: remains unchanged

Switching off:

Press the mode button repeatedly until the vacation display goes off.

Button lock function

To switch the button lock on and off, press the lock button for 5 seconds.

When the function is switched on, the lock display lights up.

The control panel is now protected against unintentional operation.

Exception to the button lock:

The lock button can be pressed to switch off the button lock or if an audible warning signal sounds.

Alarm function

In the following cases an alarm may be actuated.

Door alarm

The door alarm switches on and alarm appears in the refrigerator compartment temperature display 1 or in the freezer compartment temperature display 3 if the door of the compartment is left open too long. Close the door of the compartment to switch off the door alarm.

Temperature alarm

An interval tone sounds, alarm appears on the temperature display of the freezer compartment 3.

The temperature alarm switches on if the freezer compartment is too warm and the frozen food is at risk of thawing.

The alarm may switch on without any risk to the frozen food in the following instances:

- when switching on the appliance for initial use.
- when large quantities of fresh food are placed in the appliance.

Note

Do not refreeze thawing or thawed food. Only ready meals (boiled or fried) may be refrozen.

No longer store the frozen produce for the max. storage period.

The temperature display indicates for 5 seconds the warmest temperature which was reached in the freezer compartment. Then the set temperature is displayed again.

Switching off the alarm

Press the °C button to switch off the audible warning signal.

Home Connect

This appliance is Wi-Fi-capable and can be remotely controlled using a mobile device.

Note

Wi-Fi is a registered trade mark of the Wi-Fi Alliance.

In the following cases, the appliance functions like a refrigerator without a network connection and can still be manually operated via the controls:

- The appliance is not connected to a home network.
- Home Connect service is not available in the country in which the appliance is set up. For an overview of the countries in which Home Connect is available, see www.home-connect.com.

Notes

- Please observe the safety information in these operating instructions and ensure that this is still adhered to, even if you operate the appliance via the Home Connect app and are not at home when doing so.

You must also follow the instructions in the Home Connect app.

- If the appliance is being operated by means of the controls on the appliance itself, this mode of operation always has priority. During this time, it is not possible to operate the appliance using the Home Connect app.

Home Connect setup

Notes

- Observe the Home Connect supplementary sheet, which is available for download under <http://www.siemens-home.bsh-group.com> with the instructions. To do so, enter the E-number of your appliance in the search field.
- After switching on the appliance, wait at least two minutes until internal device initialisation is complete. Only then start setting up Home Connect.
- To make settings with Home Connect, the Home Connect app must be installed on your mobile device. Please observe the Home Connect documents supplied for doing this. Follow the steps specified by the app to make the settings.
- If the appliance is not operated for a long time, the Home Connect menu closes automatically. You can find information on how to open the Home Connect menu at the start of the appropriate sections.

Automatic connection with the home network (WLAN)

If a WLAN router with WPS function is available, you can automatically connect the refrigerator to the home network.

1. Press the super button and the lock button simultaneously to open the Home Connect menu.

The display shows **Cn**.

Note

Press both buttons at exactly the same time. Button operation is locked if only the lock button is pressed for a longer period. Press the lock button again until the lock is deactivated.

2. Press the °C button repeatedly until the displays **AC** and **oF** are shown.
3. Press the + button.
The appliance is ready for automatic connection.
The display shows an animation for 2 minutes.
Follow the steps below during this period.
4. Activate the WPS function on the home network router (e.g. using the WPS/WLAN button; information on this topic can be found in the router documentation).

- If the connection is successful, **on** flashes in the refrigerator display.

You can now connect the refrigerator with the app.

- If the display shows **oF**, it was not possible to establish a connection.

Check whether the refrigerator is located within the range of the home network (WLAN).

Repeat the process or establish the connection manually.

Manual connection with the home network (WLAN)

If the WLAN router present does not have a WPS function, or if this is unknown, you can manually connect the refrigerator with the home network.

1. Press the super button and the lock button simultaneously to open the Home Connect menu.

The display shows **Cn**.

Note

Press both buttons at exactly the same time. Button operation is locked if only the lock button is pressed for a longer period. Press the lock button again until the lock is deactivated.

2. Press the °C button repeatedly until the displays **SA** and **oF** are shown.
3. Press the + button.

The appliance is ready for manual connection.

The display shows an animation for 5 minutes.

Follow the steps below during this period.

4. The refrigerator has now set up its own WLAN network with the network name **HomeConnect**.

You can now access this network with your mobile device.

5. Open the settings menu of the mobile device and call up the WLAN settings.
6. Connect the mobile device with the WLAN network **HomeConnect**.

Password: **HomeConnect**

It can take up to 60 seconds to establish the connection.

7. After successful connection, open the Home Connect app on the mobile device.

The app will search for the refrigerator.

8. As soon as the refrigerator has been found, enter the network name (SSID) and the password (Key) of your own home network (WLAN) into the corresponding fields.

9. Confirm with the button **Transmit to domestic appliances**.

- If the connection is successful, **on** flashes in the refrigerator display. You can now connect the refrigerator with the app.
- If the display shows **oF**, it was not possible to establish a connection. Enter the password again, ensuring that it is spelt correctly. Check whether the refrigerator is located within the range of the home network (WLAN). Repeat the process.

Connecting the refrigerator to the Home Connect app

Once the connection between the refrigerator and the home network has been established, you can connect the refrigerator to the app.

1. Press super button and lock button simultaneously to open the Home Connect menu. The display shows **Cn**.

Note

Press both buttons at exactly the same time. Button operation is locked if only the lock button is pressed for a longer period. Press lock button again until the lock is deactivated.

2. Press °C button repeatedly until the displays **PA** (pairing = connect with app) and **oF** are shown.
3. Press **+** button to connect the appliance with the app. The display shows an animation. As soon as the refrigerator and the app are connected, the display shows **on**.

4. Open the app and wait until the refrigerator is displayed. Use **Add** to confirm the connection between the app and the refrigerator. If the refrigerator is not automatically displayed, click on **Add appliance** in the app and follow the instructions. As soon as your refrigerator is displayed, add it with **+**.
5. Follow the instructions in the app until the process is complete.
 - The displays show **PA** and **on**. The refrigerator has been successfully connected to the app.
 - If the connection has failed, please check whether the mobile device is connected to the home network (WLAN). Then connect the refrigerator to the app again.
 - When the display shows **Er**, reset the Home Connect settings and perform set-up again from the beginning.

Verify signal strength

You should verify the signal strength if no connection can be established.

1. Press the super button and the lock button simultaneously to open the Home Connect menu. The display shows **Cn**.
 - Note**
Press both buttons at exactly the same time. Button operation is locked if only the lock button is pressed for a longer period. Press the lock button again until the lock is deactivated.
2. Press the °C button repeatedly until the display shows **SI**. In the second display, a value appears between 0 (no reception) and 3 (full reception).

Note

The signal strength should be at least 2. If the signal strength is too low, the connection could be interrupted. Place the router and the refrigerator closer together, ensure that the connection is not disturbed by shielding walls or install a repeater to strengthen the signal.

Activating the cameras

You can use this function to check via the app at any time what is in your refrigerator. Whenever the refrigerator compartment door is closed, the cameras take a photo of the refrigerator compartment and the refrigerator compartment door.

Note

The cameras only take one photo at this moment. This ensures protection of your privacy.

If your refrigerator is connected to both your home network (WLAN) and the Home Connect app, you can activate the cameras:

1. Press super button and lock button simultaneously to open the Home Connect menu.

The display shows **Cn**.

Note

Press both buttons at exactly the same time. Button operation is locked if only the lock button is pressed for a longer period. Press lock button again until the lock is deactivated.

2. Press °C button repeatedly until the displays **Ca** and **oF** are shown.
3. Press + button to activate the cameras.

The display shows **on**, the cameras are activated.

Note

If the cameras are activated and the refrigerator contents are interrogated frequently via the app, this will result in increased data transfer.

Note

Uploading the photos takes up to three minutes.

Note

Various external factors in home network and the Internet can cause transmission problems and pictures to be discarded. These have no effect on the appliance's basic functions.

Deactivating the cameras:

1. Press super button and lock button simultaneously to open the Home Connect menu.

The display shows **Cn**.

Note

Press both buttons at exactly the same time. Button operation is locked if only the lock button is pressed for a longer period. Press lock button again until the lock is deactivated.

2. Press °C button repeatedly until the displays **Ca** and **on** are shown.
3. Press- button to deactivate the cameras.

The display shows **oF**, the cameras are deactivated.

Resetting Home Connect settings

If the connection process does not work or you would like to log the refrigerator on to a different home network (WLAN), you can reset the Home Connect settings:

1. Press the super button and the lock button simultaneously to open the Home Connect menu.

The display shows **Cn**.

Note

Press both buttons at exactly the same time. Button operation is locked if only the lock button is pressed for a longer period. Press the lock button again until the lock is deactivated.

2. Press the °C button repeatedly until the displays **rE** and **oF** are shown.
3. Press the + button.

- The display shows a short animation and then again **oF**. The Home Connect settings have been reset.

- If the display shows **Er**, start the reset again or call customer service.

Customer Service access

If you contact Customer Service, they can access your appliance and view its status after you have given your consent. You need to have your appliance connected to your home network for this.

Further information about Customer Service access and its availability in your country is available under www.home-connect.com in the Help & Support area.

1. Contact Customer Service.
2. Confirm the start of Customer Service access in the app.
During Customer Service access the symbol CS appears on the control panel.
3. As soon as Customer Service has obtained the necessary data, they end access.

Note

You can interrupt remote diagnosis early by switching off Customer Service access in the Home Connect app.

Information on data protection

When your Home Connect refrigerator is connected for the first time to a WLAN network that is connected to the Internet, your appliance transmits the following categories of data to the Home Connect server (initial registration):

- Unique appliance identification (consisting of appliance codes as well as the MAC address of the installed Wi-Fi communication module).
- Security certificate of the Wi-Fi communication module (to ensure a secure IT connection).
- The current software and hardware version of your domestic appliance.
- Status of any previous resetting to factory settings.

This initial registration prepares the Home Connect functions for use and is required only when you want to use Home Connect for the first time.

Note

Note that the Home Connect functions can be used only in conjunction with the Home Connect app. Information on data protection can be accessed in the Home Connect app.

Declaration of Conformity

BSH Hausgeräte GmbH hereby declares that the appliance with Home Connect functionality meets the essential requirements and the other relevant provisions of the Directive 2014/53/EU.

A detailed RED Declaration of Conformity can be found online at www.siemens-home.bsh-group.com among the additional documents on the product page for your appliance.



2.4 GHz band: 100 mW max.

Usable capacity

Information on the usable capacity can be found inside your appliance on the rating plate. Fig. 16

Fully utilising the freezer volume

To place the maximum amount of frozen food in the freezer compartment, you can remove the containers. You can then stack the food directly on the shelf and on the floor of the freezer compartment.

Note

Avoid contact between food and rear panel. Otherwise the air circulation will be impaired.

Food or packaging could freeze to the rear panel.

Removing the fittings

Pull out the frozen food container all the way, lift at the front and remove. Fig. 10

- If appliances feature an ice maker, the latter can be taken out. Fig. 15

Refrigerator compartment

The refrigerator compartment is the ideal storage location for meat, sausage, fish, dairy products, eggs, ready meals and pastries.

Storing food

- Store fresh, undamaged food. The quality and freshness will then be retained for longer.
- In the case of ready-made products and bottled goods, observe the best-before date or use-by date specified by the manufacturer.
- To retain aroma, colour and freshness, pack or cover food well before placing in the appliance. This will prevent the transfer of flavours and the discolouration of plastic parts in the refrigerator compartment.
- Allow warm food and drinks to cool down before placing in the appliance.

Note

Do not block air outlet openings with food, otherwise the air circulation will be impaired. Food which is stored directly in front of the air outlet openings may be frozen by the cold air flowing out.

Note the chill zones in the refrigerator compartment

The air circulation in the refrigerator compartment creates different chill zones:

- The coldest zones are in front of the air outlet openings and in the chill compartment, Fig. **1**/26.

Note

Store perishable food (e.g. fish, sausage, meat) in the coldest zones.

- Warmest zone is at the very top of the door.

Note

Store e.g. hard cheese and butter in the warmest zone. The aroma of hard cheese can then continue to develop and butter remains spreadable.

Vegetable container with humidity control

Fig. **8**

To create the optimum storage climate for fruit and vegetables, you can set the humidity level in the vegetable container:

- Mainly vegetables as well as for a mixed or small load – high air humidity
- Mainly fruit as well as for a large load – low air humidity

Notes

- Fruit sensitive to cold (e.g. pineapple, banana, papaya and citrus fruit) and vegetables sensitive to cold (e.g. aubergines, cucumbers, zucchini, peppers, tomatoes and potatoes) should be stored outside the refrigerator at temperatures of approx. +8 °C to +12 °C for optimum preservation of quality and flavour.
- Condensation may form in the vegetable container depending on the type and quantity of products stored. Remove condensation with a dry cloth and adjust air humidity in the vegetable container with the humidity controller.

Cold storage compartment

Fig. **9**

The cold storage compartment has lower temperatures than the refrigerator compartment. Even temperatures below 0 °C may occur.

Ideal for storing fish, meat and sausage. Not suitable for lettuce and vegetables and produce sensitive to cold.

The temperature of the chill compartments can be varied using the ventilation opening. Push temperature controller upwards to reduce the temperature. Push temperature controller downwards to increase the temperature. Fig. **7**

Camera

Fig. 1/20

Every time the door is closed, the cameras take a photo of the interior and the door shelves. With Home Connect you can call up the photos from your mobile device.

Note

Blurred pictures are an indication that the door was closed too quickly. Always close the door slowly to ensure satisfactory image quality. Damage to the anti-mist film may cause blurred images.

Replacing the anti-mist film

1. Remove the damaged anti-mist film.
2. Detach a new anti-mist film from the backing paper.

Note

Make sure you don't touch the adhesive side. This will impair the quality of the photos. Hold the anti-mist film carefully by the edge.

3. Stick the anti-mist film in the centre of the camera lens.
4. Remove the outer protective foil of the anti-mist film.

Super cooling

Super cooling sets the refrigerator temperature to the coldest temperature setting for approx. 6 hours. Then the appliance automatically switches to the temperature set prior to super cooling mode.

Switch on super cooling mode, e.g.

- before placing large quantities of food in the refrigerator compartment.
- for the fast cooling of drinks.

Switching on and off

Fig. 4

1. Select the refrigerator section using the °C button.
2. Press super button.

The super cooling indicator lights up.

You do not need to switch off super cooling. After 6 hours the previously set temperature will be automatically restored.

Note

When super cooling is switched on, increased operating noises may occur.

Freezer compartment

Use the freezer compartment

- To store deep-frozen food.
- To make ice cubes.
- To freeze food.

Note

Ensure that the freezer compartment door has been closed properly. If the door is open, the frozen food will thaw. The freezer compartment will become covered in thick ice. Also: waste of energy due to high power consumption!

Max. freezing capacity

Information about the max. freezing capacity within 24 hours can be found on the rating plate. Fig. 16

Prerequisites for max. freezing capacity

- Switch on super freezing before placing fresh products in the compartment (see chapter entitled “Super freezing”).
- Remove containers; stack food directly on the shelf and on the floor of the freezer compartment.
- Freeze large quantities of food preferably in the very top compartment where food freezes particularly quickly and therefore also gently.

Freezing and storing food

Purchasing frozen food

- Packaging must not be damaged.
- Use by the “use by” date.
- Temperature in the supermarket freezer must be $-18\text{ }^{\circ}\text{C}$ or lower.
- If possible, transport deep-frozen food in an insulated bag and place quickly in the freezer compartment.

Note when loading products

- Preferably freeze large quantities of food in the top compartment, where food freezes particularly quickly and therefore also gently.
- Place the food over the whole area of the compartments or the frozen food containers.

Note

Food which is already frozen must not come into contact with the food which is to be frozen. If required, move the frozen food to other frozen food containers.

Storing frozen food

Insert frozen food container all the way to ensure unrestricted air circulation.

Freezing fresh food

Freeze fresh and undamaged food only.

To retain the best possible nutritional value, flavour and colour, vegetables should be blanched before freezing. Aubergines, peppers, zucchini and asparagus do not require blanching.

Literature on freezing and blanching can be found in bookshops.

Note

Keep food which is to be frozen away from food which is already frozen.

- The following foods are suitable for freezing:
Cakes and pastries, fish and seafood, meat, game, poultry, vegetables, fruit, herbs, eggs without shells, dairy products such as cheese, butter and quark, ready meals and leftovers such as soups, stews, cooked meat and fish, potato dishes, soufflés and desserts.
- The following foods are not suitable for freezing:
Types of vegetables, which are usually consumed raw, such as lettuce or radishes, eggs in shells, grapes, whole apples, pears and peaches, hard-boiled eggs, yoghurt, soured milk, sour cream, crème fraîche and mayonnaise.

Packing frozen food

To prevent food from losing its flavour or drying out, place in airtight containers.

1. Place food in packaging.
2. Remove air.
3. Seal the wrapping.
4. Label packaging with contents and date of freezing.

Suitable packaging:

Cling wrap, tubular film made of polyethylene, aluminium foil, freezer containers.

These products are available from specialist outlets.

Unsuitable packaging:

Wrapping paper, greaseproof paper, cellophane, bin liners and used shopping bags.

Items suitable for sealing packaged food:

Rubber bands, plastic clips, string, cold-resistant adhesive tape, etc.

Bags and tubular film made of polyethylene (PE) can be sealed with a film heat sealer.

Shelf life of frozen food

Storage duration depends on the type of food.

At a temperature of -18 °C:

- Fish, sausage, ready meals and cakes and pastries:
up to 6 months
- Cheese, poultry and meat:
up to 8 months
- Vegetables and fruit:
up to 12 months

Super freezing

Food should be frozen solid as quickly as possible in order to retain vitamins, nutritional value, appearance and flavour.

Several hours before placing fresh food in the freezer compartment, switch on super freezing to prevent an unwanted temperature rise.

As a rule, 4–6 hours is adequate.

This appliance runs constantly and the freezer compartment drops to a very low temperature.

If the max. freezing capacity is to be used, super freezing must be switched on for 24 hours before the fresh produce is placed in the freezer compartment.

Smaller quantities of food (up to 2 kg) can be frozen without “super freezing”.

Note

When super freezing is switched on, increased operating noises may occur.

Switching on and off

Fig. 4

1. Select the freezer section using the °C button.

2. Press super button.

The super freezing indicator lights up.

You do not need to switch off super freezing. After approx. 2½ days the previously set temperature will be automatically restored.

Thawing frozen food

Depending on the type and application, select one of the following options:

- at room temperature
- in the refrigerator
- in an electric oven, with/without fan assisted hot-air
- in the microwave



Caution

Do not refreeze thawing or thawed food. Only ready meals (boiled or fried) may be refrozen.

No longer store the frozen produce for the max. storage period.

Interior fittings

Shelves and containers

You can reposition the inner shelves and the containers in the door as required: pull shelf forwards, lower and swivel out to the side. Lift the container and remove.

Special features

(not all models)

Butter and cheese compartment

To open the butter compartment, gently press in the middle of the butter compartment flap.

To clean the compartment, lift it at the bottom and take out.

Breakfast set

Fig. 5

The containers for the breakfast set can be taken out and filled individually.

You can take out the breakfast set for loading and unloading. To do this, lift the breakfast set and pull out. The container holder can be moved.

Bottle shelf

Fig. 6

Bottles can be stored securely on the bottle shelf.

Ice cube tray

Fig. 13

1. Fill the ice cube tray $\frac{3}{4}$ full of drinking water and place in the freezer compartment.
2. If the ice tray is stuck to the freezer compartment, loosen with a blunt implement only (spoon-handle).
3. To loosen the ice cubes, twist the ice tray slightly or hold briefly under flowing water.

Freezer calendar

Fig. 12

To prevent the quality of the frozen food from deteriorating, do not exceed the storage duration. The figures next to the symbols indicate the permitted storage period of the produce in months. In the case of commercially available frozen food observe the date of manufacture or use-by date.

Ice block

If a power failure or malfunction occurs, the ice blocks can be used to slow down the thawing process. The longest storage time is obtained by placing the ice pack on the food in the top compartment.

The ice blocks can also be used to cool food temporarily, e. g. in a cold bag.

Ice maker

Fig. 14

Use only drinking water to make ice cubes.

1. Take out water container and fill with drinking water up to the mark.

Note

If too much drinking water is added, the function of the ice maker may be impaired. The ice cubes cannot be removed individually from the ice tray. Too much drinking water was added and is running into the storage container, causing any ice cubes to freeze together.

2. Pour drinking water into the filler opening.
3. Re-insert water container.
4. When the ice cubes are frozen, press lever down and release. The ice cubes loosen and fall into the storage container.
5. Pull out storage container and remove ice cubes.

Sticker “OK”

(not all models)

The sticker “OK” lets you check whether the refrigerator compartment achieves the safe temperature ranges of +4 °C or colder recommended for food. If the sticker does not indicate “OK”, gradually reduce the temperature.

Note

When the appliance is switched on, it may take up to 12 hours until the set temperature is reached.



Correct setting

Switching off and disconnecting the appliance

Switching off the appliance

Press "+" button for 10 seconds.
Refrigeration unit switches off.

Disconnecting the appliance

If you do not use the appliance for a prolonged period:

1. Pull out the mains plug or switch off the fuse.
2. Clean the appliance.
3. Leave appliance doors open.

Note

To avoid damage to the appliance, appliance doors must be opened far enough that they remain in that position on their own. Do not jam any objects into the door to prop it open.

Cleaning the appliance



Caution

- Do not use abrasive, chloride or acidic cleaning agents or solvents.
- Do not use scouring or abrasive sponges.
The metallic surfaces could corrode.
- Never clean shelves and containers in the dishwasher.
The parts may become deformed!

The cleaning water must not get into the following areas:

- Controls
- Illumination
- Ventilation openings
- Openings in the separating plate

Proceed as follows:

1. Pull out the mains plug or switch off the fuse.
2. Take out the frozen food and store in a cool location. Place ice pack (if available) on the food.
3. The rinsing water must not drip into the controls, lighting, ventilation openings or the openings in the partition!

Clean the appliance with a soft cloth, lukewarm water and a little pH-neutral washing-up liquid.

4. Wipe the door seal with clear water only and then wipe dry thoroughly.
5. After cleaning reconnect the appliance.
6. Put the frozen food back into the appliance.

Interior fittings

All variable parts of the appliance can be taken out for cleaning.

Take out shelves in the door

Fig. **3**

Lift shelves upwards and take out.

Take out glass shelves

Pull the glass shelves forwards and take out.

Removing the container

Fig. **9**

Pull out the container all the way, lift at the front and remove.

Taking out the frozen food container

Fig. **10**

Pull out the frozen food container all the way, lift at the front and remove.

Taking out glass shelf above vegetable container

Fig. **11**

The glass shelf can be taken out and disassembled for cleaning.

Note

Before taking out the glass shelf, pull out vegetable container.

Cleaning the ice maker

Clean the ice maker regularly. This will prevent ice cubes, which were made quite a long time ago, from shrinking, having a stale taste or sticking together.

1. Take out the ice maker. Fig. **15**
2. Remove and empty the storage container.
3. Remove cover from the ice maker.
4. Clean all parts of the ice maker with warm water.
5. Leave parts to dry completely.
6. Assemble ice maker and insert.

Camera

The camera lenses are covered with a moisture-repellent film.

You can clean this with a micro-fibre cloth.

Replace the film if it is damaged.

Light (LED)

Your appliance features a maintenance-free LED light.

These lights may be repaired by customer service or authorised technicians only.

Tips for saving energy

- Install the appliance in a dry, well ventilated room! The appliance should not be installed in direct sunlight or near a heat source (e.g. radiator, cooker).
If required, use an insulating plate.
- Allow warm food and drinks to cool down before placing in the appliance.
- Thaw frozen food in the refrigerator compartment and use the low temperature of the frozen food to cool refrigerated food.
- Open the appliance as briefly as possible.
- To achieve the lowest energy consumption, leave a small wall gap at the side.
- The arrangement of the fittings does not affect the energy rating of the appliance.

Operating noises

Quite normal noises

Note

When super freezing is switched on, increased operating noises may occur.

Droning

Motors are running (e.g. refrigerating units, fan).

Bubbling, humming or gurgling noises

Refrigerant is flowing through the tubing.

Clicking

Motor, switches or solenoid valves are switching on/off.

Cameras are making a clicking sound

Standby mode is finishing and the cameras are being calibrated. No data transfer takes place.

Cracking

Automatic defrosting is running.

Preventing noises

The appliance is not level

Please align the appliance with a spirit level. Use the height-adjustable feet or place packing underneath them.

The appliance is not free-standing

Please move the appliance away from adjacent units or appliances.

Containers or storage areas wobble or stick

Please check the removable parts and re-insert them correctly if required.

Bottles or receptacles are touching each other

Move the bottles or receptacles slightly away from each other.

Eliminating minor faults yourself

Before you call customer service:

Please check whether you can eliminate the fault yourself based on the following information.

Customer service will charge you for advice – even if the appliance is still under guarantee!

Fault	Possible cause	Remedial action
Temperature differs greatly from the set value.		In some cases it is adequate to switch off the appliance for 5 minutes. If the temperature is too high wait a few hours and check whether the temperature has approached the set value. If the temperature is too low check the temperature again the next day.
It is too cold in the refrigerator section or in the chill compartment.		Increase the temperature in the refrigerator section.
		Push temperature controller for the chill compartment downwards. Fig. 7
The temperature in the freezer compartment is too warm.	Appliance opened frequently.	Do not open the appliance unnecessarily.
	The ventilation openings have been covered.	Remove obstacles.
	Large quantities of fresh food are being frozen.	Do not exceed max. freezing capacity.
Appliance is not cooling, temperature display and light are lit.	Showroom mode is switched on.	Press and hold °C button and + setting button for 5 seconds until an acknowledgement signal sounds. Another acknowledgement signal sounds when the buttons are released. After a short time check whether your appliance is cooling.
The side panels of the appliance are warm.	Pipes run into the side panels which heat during the cooling process.	That is normal behaviour for the appliance and not a fault. Furniture touching the appliance will not be damaged by the heat.

Fault	Possible cause	Remedial action
The light does not function.	The LED light is defective.	See chapter "Light (LED)" section.
	Appliance was open too long. Light is switched off after approx. 10 min.	When the appliance is closed and opened, the light is on again.
Displays do not illuminate.	Power failure; the fuse has been switched off; the mains plug has not been inserted properly.	Connect mains plug. Check whether the power is on, check the fuses.
Freezer compartment door was open for a long time; temperature is no longer reached.	The evaporator (refrigeration generator) in the NoFrost system is covered in thick ice and can no longer be defrosted fully automatically.	To defrost the evaporator, remove the frozen food with the compartments, insulate well and store in a cool location. Switch off the appliance and move it away from the wall. Leave the appliance door open. After approx. 20 min. the condensation begins to run into the evaporation pan, at the rear of the appliance. To prevent the evaporation pan from overflowing in this case, mop up the condensation with a sponge. The evaporator is defrosted when the water stops running into the evaporation pan. Clean the interior. Switch the appliance back on again.
Condensation accumulates on the surface of the appliance and on the shelves inside.	The effect is reinforced if ambient temperatures are warm and humid.	Wipe away the water with a soft, dry cloth. <ul style="list-style-type: none"> ■ Open the appliance as briefly as possible ■ Make sure that the appliance is always closed properly.
The cameras do not take any photos.	The cameras are not activated in Home Connect.	Activate the cameras.
The photos are blurry.	The door was closed too quickly.	Close the door more slowly.
	The anti-mist film is damaged.	Replace the anti-mist film.
Camera lenses are misted up.	The anti-mist film is damaged.	Replace the anti-mist film.

Appliance self-test

Your appliance features an automatic self-test program which shows you sources of faults which may be repaired by customer service only.

Starting the appliance self-test

1. Switch off the appliance and wait 5 minutes.
2. Switch on the appliance and within the first 10 seconds, press and hold the °C button and the "-" setting button for 3–5 seconds until an audible signal sounds.

The self-test programme starts.

When the self-test ends and an audible signal sounds twice, your appliance is in working order.

If 5 audible signals sound, there is an error. Inform customer service.

Ending the appliance self-test

When the programme has ended, the appliance switches over to normal operation.

Customer service

Your local customer service can be found in the telephone directory or in the customer-service index. Please provide customer service with the appliance product number (E-Nr.) and production number (FD-Nr.).

This information can be found on the rating plate. Fig. **16**

To prevent unnecessary call-outs, please assist customer service by quoting the product and production numbers. This will save you additional costs.

Repair order and advice on faults

Contact information for all countries can be found on the enclosed customer service list.

GB	0344 892 8999	Calls charged at local or mobile rate.
IE	01450 2655	0.03 € per minute at peak. Off peak 0.0088 € per minute.
US	866 447 4363	toll-free

Указания по безопасности и предупреждения

Прежде чем ввести прибор в эксплуатацию

Внимательно прочтите инструкцию по монтажу и эксплуатации! В ней содержится важная информация по установке, использованию и техническому обслуживанию прибора.

Изготовитель не несет никакой ответственности за последствия, если Вы не соблюдали указания и предупреждения, приведенные в инструкции по эксплуатации. Сохраните всю документацию для позднейшего использования или для передачи ее следующему владельцу прибора.

Техническая безопасность



Опасность возгорания
В трубах контура циркуляции хладагента имеется в небольшом количестве экологически безвредный, но горючий хладагент (R600a). Он не разрушает озоновый слой и не способствует развитию парникового эффекта. При вытекании хладагент может привести к травмам глаз или воспламенению.

При повреждениях:

- Не подходите близко к бытовому прибору с открытым пламенем или какими-либо иными источниками воспламенения,
- хорошо проветрите помещение в течение нескольких минут,
- выключите холодильник и извлеките вилку из розетки,
- сообщите о повреждениях в сервисную службу.

Чем большее количество хладагента содержится в бытовом приборе, тем больше должно быть помещение, в котором он установлен. В слишком маленьких помещениях при утечке хладагента может образоваться горючая смесь паров хладагента с воздухом. На каждые 8 г хладагента должен приходиться как минимум 1 м³ помещения. Количество хладагента, содержащееся в Вашем бытовом приборе, приведено в фирменной табличке, расположенной внутри бытового прибора.

При установке прибора не допускать зажатия или повреждения сетевого шнура.

В случае повреждения сетевой шнур данного прибора заменяется изготовителем, сервисной службой или специалистом с соответствующей квалификацией. В связи с ненадлежащим образом выполненной установкой и ремонтом может возникнуть серьезная опасность для пользователя.

Ремонт производится только изготовителем, сервисной службой или специалистом с соответствующей квалификацией.

Разрешается использовать только оригинальные запчасти изготовителя. Только в отношении этих деталей изготовитель гарантирует, что они отвечают требованиям техники безопасности.

Не используйте многоконтактные розетки, удлинительные кабели или адаптеры.



Опасность возгорания

Переносные многоконтактные розетки или переносные сетевые узлы могут перегреться и стать причиной возгорания. Не устанавливайте переносные многоконтактные розетки или переносные сетевые узлы за прибором.

При эксплуатации

- Ни в коем случае не используйте электрические приборы внутри данного прибора (например, нагревательные приборы, электрические мороженицы и проч.). Взрывоопасность!
- Не допускайте попадания масла или жира на пластиковые детали и уплотнитель дверцы. Иначе пластиковые детали и уплотнитель дверцы станут пористыми.

- Ни в коем случае не размораживайте и не чистите прибор с помощью пароочистителя! Пар может проникнуть в электрические детали и вызвать короткое замыкание. Опасность поражения электрическим током!
- Если это не указано производителем, не предпринимайте дополнительные меры, чтобы ускорить оттаивание. Взрывоопасность!
- Не используйте предметы с острым концом или острыми краями для удаления слоев инея или льда. Тем самым вы можете повредить трубки, по которым циркулирует хладагент. Брызги хладагента могут воспламениться или привести к поражению глаз.
- Не храните продукты с горючими газами-вытеснителями (например, аэрозольные баллончики), а также взрывоопасные вещества. Взрывоопасность!
- Для размораживания и чистки извлеките вилку из розетки или отключите предохранитель. При извлечении вилки из розетки следует тянуть за вилку, а не за сетевой шнур.
- **Предупреждение рисков для детей и подверженных опасности лиц**
К подверженным опасности лицам относятся дети, лица с физическими и психическими ограничениями или с ограниченным восприятием, а также лица, не обладающие достаточными знаниями для надежной эксплуатации прибора. Убедитесь в том, что дети и подверженные опасности лица осознали грозящие опасности.
При использовании прибора дети и подверженные опасности лица должны находиться под присмотром или руководством лица, отвечающего за их безопасность.
Пользоваться прибором разрешается только детям старше 8 лет.
Во время чистки и технического обслуживания дети должны находиться под присмотром.
Ни в коем случае не позволять детям играть с прибором.
- Крепкие алкогольные напитки храните только плотно закрытыми и в вертикальном положении.

- Не используйте цокольную подставку, выдвижные полки, дверцы и проч. в качестве подножки или опоры.
- Ни в коем случае не закрывайте и не загромождайте вентиляционные отверстия прибора.
- В морозильном отделении нельзя хранить жидкости в бутылках или жестяных банках (особенно газированные напитки). Бутылки и банки могут лопнуть!
- Замороженные продукты никогда не берите в рот сразу после извлечения из морозильного отделения. Опасность холодового ожога!
- Избегайте продолжительного контакта рук с замороженными продуктами, льдом или трубками испарителя и проч. Опасность холодового ожога!

Если в доме есть дети

- Упаковку и ее составные части нельзя отдавать детям. Существует опасность удушья, которой дети подвергаются, закрывшись в картонной коробке или запутавшись в полиэтиленовой пленке!
- Холодильник – это не игрушка для детей!
- В случае с холодильниками, дверь которых закрывается на замок: храните ключ от замка в недоступном для детей месте!

Общая информация

Бытовой прибор предназначен

- для охлаждения и замораживания продуктов питания,
- для приготовления пищевого льда.

Этот прибор предназначен для использования в частном домашнем хозяйстве и в бытовых условиях.

Контур циркуляции хладагента проверен на герметичность.

Данный прибор соответствует действующим нормам технической безопасности и отвечает предписаниям по защите от радиопомех.

Данный прибор предназначен для использования на высоте не более 2000 м над уровнем моря.

Указания по утилизации

Утилизация упаковки

Весь упаковочный материал, который использовался для защиты холодильника при транспортировке, пригоден для вторичной переработки и не наносит вреда окружающей среде. Внесите, пожалуйста, и Вы свой вклад в дело защиты окружающей среды, сдав упаковку на экологичную утилизацию.

Информацию об актуальных методах утилизации Вы можете получить у Вашего торгового агента или в административных органах по месту Вашего жительства.

Утилизация старого холодильника

Отслужившие свой срок старые бытовые холодильники нельзя рассматривать как бесполезные отходы! Благодаря экологичной утилизации из них удастся получить ценное сырье.



Данный прибор имеет отметку о соответствии европейским нормам 2012/19/EU утилизации электрических и электронных приборов (waste electrical and electronic equipment - WEEE).

Данные нормы определяют действующие на территории Евросоюза правила возврата и утилизации старых приборов.

Предупреждение

В случае с отслужившими свой срок холодильниками:

1. Извлеките вилку из розетки.
2. Отрежьте сетевой шнур и уберите его подальше вместе с вилкой.
3. Полки, боксы и контейнеры извлекать не следует, чтобы дети не смогли забраться внутрь холодильника!
4. Не позволяйте детям играть со старым бытовым прибором. Опасность удушья!

В холодильной установке содержится хладагент, а в изоляции бытового прибора – газы, утилизация которых должна проводиться квалифицированно. Трубки контура, по которому циркулировал хладагент, ни в коем случае не должны быть повреждены до начала утилизации.

Объем поставки

Убедитесь в отсутствии возможных повреждений элементов при транспортировке, освободив все элементы от упаковки.

С рекламациями обращайтесь в магазин, в котором Вы приобрели прибор, или в нашу сервисную службу.

В комплект поставки входят следующие элементы:

- Напольный прибор
- Оснащение (в зависимости от модели)
- Мешок с монтажными материалами
- Инструкция по эксплуатации
- Инструкция по монтажу
- Книжка сервисной службы
- Гарантия в приложении
- Информация о расходе электроэнергии и шумах

Место установки

Лучше всего устанавливать бытовой прибор в сухом, хорошо проветриваемом помещении. На прибор не должны попадать прямые солнечные лучи, и он не должен располагаться в непосредственной близости от таких источников тепла, как плита, радиатор отопления и пр. Если этого не удастся избежать, то необходимо воспользоваться подходящей плитой из изолирующего материала или расположить прибор таким образом, чтобы выдерживались следующие расстояния до источника тепла:

- До электрической и газовой плит: 3 см.

- До плиты, отапливаемой жидким топливом или углем: 30 см.

Пол на месте установки прибора не должен прогибаться, при необходимости его следует упрочнить. Возможные неровности пола следует компенсировать с помощью подложек.

Расстояние от стены

Установите прибор так, чтобы двери открывались под углом 90°.

Выравнивание прибора

Поставить прибор в предназначенное для него место и выровнять его. Он должен стоять устойчиво и ровно. Неровности пола следует скомпенсировать с помощью обеих передних винтовых ножек. Для регулировки винтовых ножек по высоте использовать гаечный ключ.

Указание

Прибор должен стоять вертикально. Выровняйте его с помощью уровня.

Температура окружающей среды и вентиляция

Температура окружающей среды

Холодильник относится к определенному климатическому классу. В зависимости от климатического класса, холодильник может работать при приведенных ниже значениях температуры окружающей среды.

Климатический класс прибора указан в его типовой табличке (рисунок 16).

Климатический класс	Допустимая температура окружающей среды
SN	от +10 °C до +32 °C
N	от +16 °C до +32 °C
ST	от +16 °C до +38 °C
T	от +16 °C до +43 °C

Указание

Полная функциональность прибора обеспечена в пределах температуры окружающей среды указанного климатического класса. Если прибор климатического класса SN работает при более низкой температуре окружающей среды, то повреждения прибора можно исключить до температуры +5 °C.

Вентиляция

Рисунок 2

Воздух у задней стенки прибора и у его боковых стенок нагревается. Нагретый воздух должен иметь возможность беспрепятственно подниматься вверх. Иначе холодильный агрегат должен будет работать с повышенной нагрузкой. А это повышает расход электроэнергии. Поэтому: Никогда не закрывайте и ничем не загромождайте вентиляционные отверстия холодильника!

Подключение бытового прибора

После установки бытового прибора следует подождать как минимум 1 час и только потом вводить его в эксплуатацию. Так как не исключено, что во время транспортировки бытового прибора содержащееся в компрессоре масло могло попасть в систему охлаждения.

Перед вводом бытового прибора в эксплуатацию в первый раз следует почистить его изнутри (смотрите раздел «Чистка бытового прибора»).

Подключение к электросети

Розетка должна находиться вблизи прибора и в свободно доступном месте также после установки прибора.

 **Предупреждение**

Опасность поражения электрическим током!

Если длина сетевого шнура недостаточна, ни в коем случае не используйте многоконтактные розетки или удлинительные кабели. Обратитесь в сервисную службу, где вам предложат альтернативные варианты.

Прибор соответствует классу защиты I. Прибор подключайте к сети переменного тока 220–240 В/50 Гц с помощью установленной надлежащим образом розетки с защитным заземлением. Сетевая розетка должна быть оснащена предохранителем на 10–16 А.

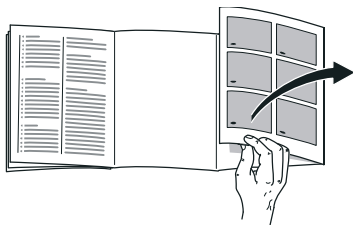
Применительно к бытовым приборам, которые будут эксплуатироваться в неевропейских странах, необходимо проверить, чтобы значение напряжения и вид тока совпадали с параметрами электросети пользователя. Эти данные приведены на типовой табличке холодильника, рисунок **16**.

 **Предупреждение**

Прибор нельзя ни в коем случае подключать к электронным энергосберегающим штекерам.

Для использования наших бытовых приборов можно применять ведомые сетью и синусные инверторы. Ведомые сетью инверторы применяются в фотогальванических энергетических установках, которые подсоединяются непосредственно к общественной сети энергоснабжения. В изолированных условиях (напр., на кораблях или в горных приютах) без непосредственного подсоединения к общественной электросети необходимо применение синусных инверторов.

Знакомство с бытовым прибором



Откройте, пожалуйста, последние страницы с рисунками. Данная инструкция по эксплуатации действительно для нескольких моделей.

Комплектация моделей может отличаться друг от друга.

Поэтому в рисунках не исключены некоторые отличия.

Рисунок **1**

* Не во всех моделях.

- A Холодильное отделение
- B Морозильное отделение

- 1–18 Элементы управления
- 19* Отделение для масла и сыра
- 20 Фотокамера
- 21 Полка для маленьких бутылок
- 22 Полка для больших бутылок
- 23 Освещение (на светодиодах)
- 24* Полка для бутылок
- 25* в комплект для завтрака
- 26 Отделение с пониженной температурой
- 27 Контейнер для овощей и фруктов с регулятором влажности
- 28* Льдогенератор/Емкость для кубиков пищевого льда

- 29* Бокс для замороженных продуктов

Элементы управления

Рисунок **4**

- 1 **Индикатор температуры в холодильном отделении**
Цифры соответствуют значениям установленной для холодильного отделения температуры в °C.
- 2 **Индикация super cooling**
Выделяется в режиме суперохлаждения.
- 3 **Индикация температуры в морозильном отделении**
Цифры соответствуют значениям установленной для морозильного отделения температуры в °C.
- 4 **Индикация super freezing**
Выделяется в режиме суперзамораживания.
- 5 **Индикация vacation**
Выделяется, если включен режим «Отпуск».
- 6 **Индикация fresh**
Выделяется, если включен режим свежести.
- 7 **Индикация экономного режима**
Выделяется, если включен экономный режим.
- 8 **Кнопка mode**
Для выбора специальных функций.
- 9 **Кнопка «super»**
Служит для включения функций super cooling (холодильное отделение) и super freezing (морозильное отделение).

- 10 **Кнопки установки +/-**
Кнопки служат для установки температуры в холодильном и морозильном отделении.
- 11 **Кнопка lock**
Служит для включения функции lock.
- 12 **Кнопка °C для выбора отделения и alarm off**
Служит для выбора отделения. Это необходимо, чтобы изменить его температуру или включить определенные специальные функции.
Служит для выключения предупредительного сигнала.
- 13 **Функция блокировки кнопок Lock**
В случае включения этой функции Вы не сможете произвести установки с помощью элементов управления.
- 14 **Индикация alarm off**
Выделяется, если в приборе слишком тепло.
- 15 **Индикация alarm**
Выделяется, если в морозильном отделении слишком тепло или если дверца морозильного отделения оставалась слишком долго открытой.
- 16 **Индикация freeze**
Выделяется, если выбрано морозильное отделение.
- 17 **Сигнальный индикатор**
Горит, если дверца холодильного отделения оставалась слишком долго открытой.
- 18 **Индикация cool**
Выделяется, если выбрано холодильное отделение.

Включение прибора

1. Вставьте сначала штекер в гнездо на задней стенке прибора.
Проверьте, вставлен ли штекер до отказа.
2. Подсоедините затем другой конец кабеля к розетке.

Прибор теперь включен, и звучит предупредительный сигнал.

Нажмите на кнопку °C, чтобы отключить предупредительный сигнал.

Индикация alarm гаснет, как только прибор достигнет заданной температуры.

Заданные температуры будут достигнуты через несколько часов. Раньше этого срока загружать продукты в бытовой прибор нельзя.

Специалистами завода-изготовителя рекомендуются следующие установочные значения температуры:

- Морозильное отделение: -18 °C
- Холодильное отделение: +4 °C

Указания по эксплуатации

- После включения прибору может потребоваться несколько часов для достижения установленного уровня температуры.
- Благодаря полностью автоматической системе «No Frost» внутри морозильного отделения лед не образуется. В размораживании больше нет необходимости.
- Если после закрытия дверцы не удаётся сразу снова открыть, то нужно подождать некоторое время, пока компенсируется создавшееся внутри отделения пониженное давление.

- Передняя сторона и боковые стенки корпуса частично слегка подогреваются. Это предотвращает образование конденсата.

Установка температуры

Рисунок 4

Холодильное отделение

Температура регулируется в диапазоне от +2 °С до +8 °С.

1. Выберите холодильное отделение кнопкой °С.
2. Нажимайте на кнопки +/- до тех пор, пока на дисплее не появится нужная температура.

Скоропортящиеся продукты не должны храниться при температуре выше +4 °С.

Морозильное отделение

Температура регулируется в диапазоне от -16 °С до -24 °С.

1. Выберите морозильное отделение кнопкой °С.
2. Нажимайте на кнопки +/- до тех пор, пока на дисплее не появится нужная температура.

Специальные функции

Рисунок 4

Режим свежести

Благодаря режиму свежести еще дольше сохраняется свежесть продуктов.

Включение:

Нажимайте кнопку mode до появления индикации fresh.

Прибор устанавливает автоматически следующую температуру:

- холодильное отделение: + 2 °С
- морозильное отделение: остается без изменений

Выключение:

Нажимайте кнопку mode, пока не погаснет индикация fresh.

Экономный режим

В экономном режиме прибор переходит на режим работы с экономией электроэнергии.

Включение:

Нажимайте кнопку mode, пока не появится индикация «экономный режим».

Прибор устанавливает автоматически следующую температуру:

- холодильное отделение: +8 °С
- морозильное отделение: -16 °С

Выключение:

Нажимайте кнопку mode, пока не погаснет индикация «экономный режим».

Отпускной режим эксплуатации

На период длительного отсутствия Вы можете перевести холодильник в отпускной режим – режим экономии электроэнергии.

Температура в холодильном отделении автоматически переводится на значение +14 °С.

В это время в холодильном отделении не следует хранить продукты питания.

Включение:

Нажимайте кнопку mode до появления индикации vacation.

Прибор устанавливает автоматически следующую температуру:

- холодильное отделение: +14 °С
- Морозильное отделение: остается без изменений

Выключение:

Нажимайте кнопку mode, пока не погаснет индикация vacation.

Функция блокировки кнопок Lock

Для включения и выключения блокировки кнопок держите нажатой кнопку lock 5 секунд.

При включенной функции выделена индикация lock.

При этом панель управления предохранена от нежелательных операций управления.

Снятие блокировки кнопок:

Для выключения блокировки кнопок и при звуковом предупредительном сигнале можно нажать на кнопку lock.

Предупредительная функция

Предупредительная сигнализация может включиться в следующих случаях.

Предупредительный сигнал при открытой дверце

Если соответствующая дверца остается слишком долго открытой, включается предупредительный сигнал при открытой дверце и на индикаторе температуры холодильного отделения 1 или на индикаторе температуры морозильного отделения 3 появляется alarm. После закрывания соответствующей дверцы предупредительный сигнал выключается.

Сигнализация предупреждения о повышении температуры

Раздается периодический звуковой сигнал, на индикаторе температуры морозильного отделения 3 появляется alarm.

Предупредительный сигнал при повышении температуры включается, если в морозильном отделении становится слишком тепло и замороженные продукты могут разморозиться.

Предупредительная сигнализация может включиться, даже если замороженным продуктам не угрожает размораживание, в следующих случаях:

- При вводе прибора в эксплуатацию.
- При загрузке большого количества свежих продуктов питания.

Указание

Подтаявшие или полностью размороженные продукты нельзя снова замораживать. Только после тепловой обработки продуктов (их можно сварить или поджарить) готовые блюда можно снова заморозить.

Но готовые блюда нельзя хранить так долго, как свежие продукты.

В течение 5 секунд дисплей показывает самую высокую температуру, которая господствовала в морозильном отделении. После чего на дисплей снова выводится заданная температура.

Отключение предупредительного сигнала

Нажмите кнопку °C, чтобы отключить предупредительный сигнал.

Home Connect

Этот прибор поддерживает Wi-Fi, и им можно управлять дистанционно через мобильное оконечное устройство.

Указание

Wi-Fi является зарегистрированной товарной маркой Wi-Fi Alliance.

В указанных ниже случаях прибор функционирует как холодильник без сетевого соединения, и им можно управлять вручную элементами управления.

- Прибор не соединен с домашней сетью.
- В стране, где установлен прибор, отсутствует сервис Home Connect. Перечень стран, в которых предлагается сервис Home Connect, приведен на сайте www.home-connect.com.

Указания

- Соблюдайте изложенные в данной инструкции правила техники безопасности также при дистанционном управлении прибором через приложение Home Connect, когда вы находитесь вне дома.
- Соблюдайте также указания, содержащиеся в приложении Home Connect.
- Приоритетным является управление непосредственно на самом приборе. В этом случае одновременное управление через приложение Home Connect невозможно.

Установка Home Connect

Указания

- Примите во внимание руководство к Home Connect, которое можно скачать на сайте <http://www.siemens-home.bsh-group.com> в разделе инструкций. Для этого введите в поле поиска E-номер вашего прибора.
- После включения прибора выждите минимум две минуты до завершения внутренней инициализации прибора. Только после этого выполните настройку Home Connect.
- Для выполнения настроек через Home Connect на мобильном оконечном устройстве должно быть установлено приложение Home Connect. Информация об этом содержится в прилагаемой документации Home Connect. При выполнении настроек следуйте предлагаемому приложением алгоритму.
- Если на приборе в течение длительного времени не выполнялись операции управления, меню Home Connect автоматически закрывается. Указания о том, как открыть меню Home Connect, приведены в начале соответствующих глав.

Автоматическая связь с домашней сетью (WLAN)

Если имеется маршрутизатор WLAN с функцией WPS, возможно автоматическое установление связи холодильника с домашней сетью.

1. Нажмите одновременно кнопку **super** и кнопку **lock**, чтобы открыть меню Home Connect.
Дисплей показывает **Cn**.

Указание

Нажимайте обе кнопки в точности одновременно. При длительном нажатии одной лишь кнопки **lock** кнопочное управление блокируется. Снова нажмите кнопку **lock**, пока блокировка не будет снята.

2. Нажимайте кнопку °C до появления индикаций **AC** и **oF**.
3. Нажмите кнопку **+**.

Прибор готов для автоматической связи.

На дисплее в течение 2 минут отображается анимация.

За это время выполните следующие шаги.

4. Активируйте функцию WPS на маршрутизаторе домашней сети (например, кнопкой WPS/WLAN; сведения об этом приведены в документации маршрутизатора).
 - В случае успешного установления связи на дисплее холодильника мигает **on**.
Теперь можно установить связь холодильника с приложением.
 - Если на дисплее отображается **oF**, то это означает, что связь установить не удалось.
Проверьте, находится ли холодильник в зоне действия домашней сети (WLAN).
Повторите процесс или установите связь вручную.

Связь с домашней сетью вручную (WLAN)

Если имеющийся маршрутизатор WLAN не обладает функцией WPS, или если о ее наличии неизвестно, можно установить связь холодильника с домашней сетью вручную.

1. Нажмите одновременно кнопку **super** и кнопку **lock**, чтобы открыть меню **Home Connect**.

Дисплей показывает **Cn**.

Указание

Нажимайте обе кнопки в точности одновременно. При длительном нажатии одной лишь кнопки **lock** кнопочное управление блокируется. Снова нажмите кнопку **lock**, пока блокировка не будет снята.

2. Нажимайте кнопку **°C** до появления индикаций **SA** и **oF**.

3. Нажмите кнопку **+**.

Прибор готов к установлению связи вручную.

На дисплее в течение 5 минут отображается анимация.

За это время выполните следующие шаги.

4. Холодильник создал собственную сеть **WLAN** под именем **HomeConnect**.

К этой сети теперь возможен доступ с помощью мобильного оконечного устройства.

5. Откройте меню настроек мобильного оконечного устройства и вызовите настройки **WLAN**.

6. Установите связь мобильного оконечного устройства с сетью **WLAN HomeConnect**.

Пароль: **HomeConnect**

Установление связи может продлиться до 60 секунд.

7. После успешного установления связи откройте приложение **Home Connect** на мобильном оконечном устройстве.

Приложение выполняет поиск холодильника.

8. После того, как холодильник будет найден, введите в соответствующие поля имя (SSID) и пароль (Key) собственной домашней сети (**WLAN**).

9. Подтвердите кнопкой **Передать на бытовые приборы**.

- В случае успешного установления связи на дисплее холодильника мигает **on**.

Теперь можно установить связь холодильника с приложением.

- Если на дисплее отображается **oF**, то это означает, что связь установить не удалось.

Снова введите пароль, проследив за правильным написанием.

Проверьте, находится ли холодильник в зоне действия домашней сети (**WLAN**).

Повторите выполненные действия.

Связь холодильника с приложением Home Connect

После того, как установлена связь между холодильником и домашней сетью, можно выполнить соединение холодильника с приложением.

1. Нажмите одновременно кнопку **super** и кнопку **lock**, чтобы открыть меню **Home Connect**.

Дисплей показывает **Cn**.

Указание

Нажимайте обе кнопки в точности одновременно. При длительном нажатии одной лишь кнопки **lock** кнопочное управление блокируется. Продолжайте нажимать кнопку **lock**, пока блокировка не будет снята.

2. Нажимайте кнопку **°C** до появления индикаций **PA** (Pairing = связь с приложением) и **oF**.

3. Нажмите кнопку **+** для связи прибора с приложением.
На дисплее отображается анимация.

После установления связи холодильника с приложением на дисплее появится **on**.

4. Откройте приложение и подождите до появления индикации холодильника.
Нажав **Добавить**, подтвердите соединение приложения с холодильником.

Если холодильник автоматически не отображается, нажмите **Добавить прибор** в приложении и следуйте указаниям. Когда отобразится ваш холодильник, добавьте его, нажав **+**.

5. Следуйте указаниям приложения до окончания процесса.

- Дисплей покажет **PA** и **on**.

Холодильник установил связь с приложением.

- Если установить связь не удалось, проверьте, соединено ли мобильное оконечное устройство с домашней сетью (WLAN).

Затем снова установите связь холодильника с приложением.

- Когда дисплей покажет **Er**, выполните возврат настроек Home Connect и повторите настройку с самого начала.

Проверка уровня сигнала

Проверка уровня сигнала требуется, если не удается установить связь.

1. Нажмите одновременно кнопку **super** и кнопку **lock**, чтобы открыть меню Home Connect.

Дисплей показывает **Cn**.

Указание

Нажимайте обе кнопки в точности одновременно. При длительном нажатии одной лишь кнопки **lock** кнопочное управление блокируется. Снова нажмите кнопку **lock**, пока блокировка не будет снята.

2. Нажимайте кнопку **°C** до тех пор, пока не появится индикация **SI**. Вторая индикация покажет значение от 0 (нет приема сигнала) до 3 (полный прием сигнала).

Указание

Уровень сигнала должен быть не менее 2. Если уровень сигнала слишком низкий, возможен обрыв связи. Установите маршрутизатор и холодильник ближе друг к другу, обеспечьте отсутствие экранирующих стен, которые могут препятствовать связи, или установите промежуточный усилитель сигнала.

Активация фотокамер

С помощью этой функции можно посредством приложения проверить, что находится в холодильнике. При каждом закрывании дверцы холодильного отделения фотокамеры делают снимок холодильного отделения и дверцы холодильного отделения.

Указание

Фотокамеры делают снимок только в этот момент. Это защищает вашу частную сферу.

После того, как холодильник установил связь с домашней сетью (WLAN) и приложением Home Connect, можно активировать фотокамеры:

1. Нажмите одновременно кнопку **super** и кнопку **lock**, чтобы открыть меню **Home Connect**.

Дисплей показывает **Cn**.

Указание

Нажимайте обе кнопки в точности одновременно. При длительном нажатии одной лишь кнопки **lock** кнопочное управление блокируется. Продолжайте нажимать кнопку **lock**, пока блокировка не будет снята.

2. Нажимайте кнопку °C до появления индикаций **Ca** и **oF**.

3. Нажмите кнопку **+** для активации фотокамер.

Дисплей показывает **on**, фотокамеры активированы.

Указание

Если фотокамеры активированы, и приложение часто запрашивает содержимое холодильника, имеет место повышенный обмен данными.

Указание

Загрузка фотографий может продлиться до трех минут.

Указание

Под действием внешних факторов в домашней сети и Интернете могут возникнуть неполадки связи с отменой фотографий. Это не оказывает влияния на основные функции прибора.

Деактивация камер

1. Нажмите одновременно кнопку **super** и кнопку **lock**, чтобы открыть меню **Home Connect**.

Дисплей показывает **Cn**.

Указание

Нажимайте обе кнопки в точности одновременно. При длительном нажатии одной лишь кнопки **lock** кнопочное управление блокируется. Продолжайте нажимать кнопку **lock**, пока блокировка не будет снята.

2. Нажимайте кнопку °C до появления индикаций **Ca** и **on**.

3. Нажмите кнопку **-** для деактивации фотокамер.

Дисплей показывает **oF**, фотокамеры деактивированы.

Возврат настроек Home Connect

Если установить связь не удалось, или если вы хотите зарегистрировать холодильник в другой домашней сети (WLAN), можно выполнить возврат настроек **Home Connect**.

1. Нажмите одновременно кнопку **super** и кнопку **lock**, чтобы открыть меню **Home Connect**.

Дисплей показывает **Cn**.

Указание

Нажимайте обе кнопки в точности одновременно. При длительном нажатии одной лишь кнопки **lock** кнопочное управление блокируется. Снова нажмите кнопку **lock**, пока блокировка не будет снята.

2. Нажимайте кнопку °C до появления индикаций **rE** и **oF**.

3. Нажмите кнопку **+**.

- На дисплее кратковременно отображается анимация, а затем снова **oF**.

Возврат настроек **Home Connect** выполнен.

- Если появится индикация **Er**, выполните повторно возврат настроек или вызовите специалиста сервисной службы.

Доступ к сервисной службе

При обращении в сервисную службу ее специалисты могут по вашему согласию получить доступ к вашему прибору и определить его состояние. Для этого ваш прибор должен быть соединен с сетью.

Дополнительная информация о доступе к сервисной службе и наличии ее в вашей стране имеется на сайте www.home-connect.com в разделе Справки и поддержка.

1. Обратитесь в сервисную службу.
2. Подтвердите в приложении согласие на доступ сервисной службы.

В процессе доступа сервисной службы на панели управления появляется символ CS.

3. После того, как специалист сервисной службы получит необходимую информацию, он закончит доступ.

Указание

Вы можете преждевременно прервать дистанционную диагностику, отключив доступ сервисной службы в приложении Home Connect.

О защите данных

При первом подсоединении к беспроводной сети, имеющей выход в Интернет, холодильник передает на сервер Home Connect данные следующих категорий (первичная регистрация):

- Однозначный идентификатор прибора (состоящий из кодовых номеров прибора и адреса MAC установленного модуля связи Wi-Fi).

- Сертификат безопасности модуля связи Wi-Fi (для информационно-технической защиты соединения).
- Текущие версии программного и аппаратного обеспечения бытового прибора.
- Статус предыдущего восстановления заводских настроек, если оно выполнялось.

Первоначальная регистрация является этапом подготовки к пользованию функциями Home Connect; необходимость в ней возникает лишь единожды, при первом пользовании Home Connect.

Указание

Примите во внимание, что пользование функциями Home Connect возможно только при наличии приложения Home Connect. Сведения о защите данных можно получить в приложении Home Connect.

Декларация о соответствии

Настоящим компания BSH Hausgeräte GmbH заявляет, что прибор с функциями Home Connect соответствует основополагающим требованиям и другим соответствующим положениям директивы 2014/53/EC.

Подробный текст декларации о соответствии RED имеется на сайте www.siemens-home.bsh-group.com на странице с описанием вашего прибора в разделе дополнительной документации.



Полоса частот макс. 100 мВт
2,4 ГГц:

Полезный объем

Данные, касающиеся полезного объема, Вы сможете найти, внутри своего бытового прибора на типовой табличке. Рисунок **13**

Использование всего объема морозильного отделения

Для того, чтобы разместить максимальное количество замороженных продуктов, контейнеры можно извлечь. Продукты можно затем складывать прямо на полке и на дне морозильного отделения.

Указание

Избегайте касания продуктами питания задней стенки. Это нарушит циркуляцию воздуха.

Продукты питания или упаковки могут примерзнуть к задней стенке.

Извлечение элементов оснащения

Вытяните бокс для замороженных продуктов до упора, приподнимите спереди и извлеките. Рисунок **10**

- Установленный в электроприборе льдогенератор можно извлечь. Рисунок **15**

Холодильное отделение

Холодильное отделение обеспечивает идеальные условия для хранения мяса, колбасы, рыбы, молочных продуктов, яиц, готовых блюд и выпечки.

При размещении продуктов учитывать следующее

- Загружайте свежие, неповрежденные продукты. Таким образом дольше сохранятся качество и свежесть продуктов.
- Следить за указанными изготовителями сроками годности или сроками хранения готовых продуктов и развесных товаров.
- Для сохранения аромата, цвета и свежести загружать продукты в плотной упаковке или в закрытой посуде. Таким образом можно избежать изменения вкуса продуктов, а также изменения цвета пластмассовых деталей в холодильном отделении.
- Горячие блюда и напитки сначала охладить а потом поставить в прибор.

Указание

Во избежание нарушения циркуляции воздуха, не загораживайте продуктами отверстия для выхода воздуха. Продукты питания, расположенные непосредственно перед этими отверстиями, могут заморозиться в потоке холодного воздуха.

Обратите внимание на различные температурные зоны в холодильном отделении

Из-за циркуляции воздуха в холодильном отделении возникают различные температурные зоны:

- Зоны самых низких температур находятся перед воздуховыпускными отверстиями и в отделении с пониженной температурой, рисунок **1**/26.

Указание

Храните в зонах самых низких температур скоропортящиеся продукты (напр.: рыбу, колбасу, мясо).

- Зона самой высокой температуры находится в самой верхней части дверцы.

Указание

Храните в зоне самой высокой температуры, напр., твердый сыр и масло. Аромат твердого сыра может развиваться дальше, а консистенция сливочного масла остается мягкой.

Контейнер для овощей и фруктов с регулятором влажности

Рисунок **3**

Для создания оптимальных условий хранения для фруктов и овощей Вы можете отрегулировать влажность воздуха в контейнере для овощей в соответствии с количеством загруженных продуктов:

- преимущественно овощи а также при смешанной загрузке или малой загрузке – высокая влажность воздуха
- преимущественно фрукты, а также при высокой загрузке – низкая влажность воздуха

Указания

- Чувствительные к низким температурам фрукты (напр.: ананасы, бананы, папайю и цитрусовые) и овощи (напр.: баклажаны, огурцы, цуккини, паприку, помидоры и картофель) для оптимального сохранения качества и аромата следует хранить вне холодильника при температурах от +8 °С до +12 °С.
- В зависимости от количества и вида хранимых продуктов в контейнере для овощей может образовываться конденсат. Вытереть конденсат сухой тряпочкой и отрегулировать влажность воздуха в контейнере для овощей при помощи регулятора влажности.

Отделение с пониженной температурой

Рисунок **9**

В отделении с пониженной температурой создается более низкая температура, чем в холодильном отделении. Температура может опускаться даже ниже 0 °С.

Эти условия идеальны для хранения рыбы, мяса и колбасы. Листовые салаты, овощи и продукты, чувствительные к воздействию низкой температуры, здесь хранить нельзя.

Температуру в отделениях с пониженной температурой можно регулировать с помощью вентиляционного отверстия. Регулятор температуры передвинуть вверх, чтобы понизить температуру. Регулятор температуры передвинуть вниз, чтобы повысить температуру. Рисунок **7**

Фотокамера

Рисунок **1**/20

При каждом закрытии дверцы фотокамеры выполняют снимок внутреннего пространства и отсеков с внутренней стороны дверцы. Приложение Home Connect позволяет просматривать фотографии на мобильном оконечном устройстве.

Указание

Нечеткие снимки являются свидетельством того, что дверца была слишком быстро закрыта. Чтобы обеспечить достаточное качество снимков, закрывайте дверцу медленно. Причиной нечетких снимков может также являться повреждение пленки, предохраняющей стекло от запотевания.

Замена пленки, предохраняющей стекло от запотевания

1. Снимите поврежденную пленку.
2. Отсоедините новую пленку от бумажной основы.

Указание

Не прикасайтесь к клейкой стороне. Это ухудшит качество фотографий. Держите пленку, предохраняющую стекло от запотевания, осторожно за край.

3. Приклейте пленку посередине на линзу камеры.
4. Снимите с пленки, предохраняющей стекло от запотевания, наружную защитную пленку.

Суперохлаждение

При этом холодильное отделение в течение 6 часов охлаждается до самой низкой предельно-допустимой температуры. Затем происходит автоматическое переключение на установленную до включения суперохлаждения температуру.

Функцию суперохлаждения следует включать, например

- перед загрузкой большого количества продуктов питания,
- для быстрого охлаждения напитков.

Включение и выключение

Рис. 4

1. Выберите холодильное отделение кнопкой °C.
2. Нажмите кнопку super.

Загорается индикатор super cooling.

Режим суперохлаждения выключать не требуется. Спустя 6 часов прибор автоматически переключится на ранее установленную температуру.

Указание

Во время работы суперохлаждения эксплуатационный шум может усилиться.

Морозильное отделение

Использование морозильного отделения

- Для хранения замороженных продуктов питания.
- Для приготовления кубиков пищевого льда.
- Для замораживания свежих продуктов.

Указание

Следите, пожалуйста, за тем, чтобы дверца морозильного отделения всегда была закрыта! Так как при открытой двери замороженные продукты могут подтаять и стенки морозильного отделения покрываются толстым слоем льда. Кроме того: расточительно расходуется электроэнергия из-за повышенного потребления тока!

Макс. производительность замораживания

Данные по макс. производительности замораживания в течение 24 часов Вы найдете в фирменной табличке.

Рисунок 16

Условия для максимальной производительности замораживания

- Включите суперзамораживание перед загрузкой свежих продуктов (см. раздел «Суперзамораживание»).
- Извлеките контейнеры; продукты сложить прямо на полке и на дне морозильного отделения.
- Большое количество продуктов лучше всего замораживать в самом верхнем отделении. Там они замораживаются очень быстро и благодаря этому в щадящих условиях.

Замораживание и хранение продуктов

Покупка замороженных продуктов

- Упаковка не должна быть повреждена.
- Обращайте внимание на указанный срок хранения.

- Температура в морозильном шкафу в магазине должна быть -18 °С или ниже.
- Замороженные продукты перед транспортировкой следует по возможности сложить в термоизолирующую сумку и дома побыстрее загрузить в морозильное отделение.

При размещении продуктов учитывать следующее

- Большое количество продуктов предпочтительнее замораживать в самом верхнем отделении. Там они замораживаются особенно быстро, а значит и бережно.
- Расположить продукты свободно в отделениях или в боксах для замороженных продуктов.

Указание

Уже замороженные продукты не должны соприкасаться со свежими продуктами, предназначенными для замораживания. При необходимости, полностью замороженные продукты переложить в другие боксы для замороженных продуктов.

Хранение замороженных продуктов

Бокс для замороженных продуктов задвиньте до упора в целях обеспечения оптимальной циркуляции воздуха.

Замораживание свежих продуктов питания

Для замораживания следует брать только абсолютно свежие продукты питания.

Чтобы как можно лучше сохранить пищевую ценность, аромат и цвет, овощи следует перед замораживанием бланшировать. Бланширование не требуется для баклажанов, сладкого стручкового перца, кабачков и спаржи.

Литературу о замораживании и бланшировании Вы найдете в книжных магазинах.

Указание

Постарайтесь, чтобы предназначенные для замораживания свежие продукты питания не соприкасались с уже замороженными продуктами.

- Замораживать можно: выпечку, рыбу и морепродукты, мясо, дичь, птицу, овощи, фрукты, зелень, яйца без скорлупы, молочные продукты, напр., сыр, масло и творог, готовые блюда и остатки приготовленных блюд, напр., супы, рагу, приготовленные мясо и рыбу, блюда из картофеля, запеканки и сладкие блюда.
- Замораживать нельзя: употребляемые в пищу преимущественно в сыром виде овощи, напр., листовые салаты или редиска, яйца в скорлупе, виноград, целые яблоки, груши, персики, сваренные вкрутую яйца, йогурт, простоквашу, сметану, крем-фреш и майонез.

Упаковка продуктов для замораживания

Упакуйте продукты герметично, чтобы они не потеряли вкус и не вымерзли.

1. Положите продукты в упаковку.
2. Выдавите из упаковки весь воздух.
3. Герметично закройте упаковку.
4. Укажите на упаковке, что в ней находится, и когда продукты были заморожены.

В качестве упаковки можно использовать:

пленку из различных синтетических материалов, рукава из полиэтиленовой пленки, алюминиевую фольгу, специальные емкости для замораживания продуктов. Всю эту продукцию Вы найдете в специализированных магазинах.

В качестве упаковки нельзя использовать:

упаковочную или пергаментную бумагу, целлофан, мешки для мусора и использованные пакеты для покупок.

Для закрывания упаковки можно использовать:

резиновые кольца, пластмассовые зажимы, шпагат, морозостойкую клейкую ленту и проч.

Мешки и рукава из полиэтиленовой пленки можно заварить с помощью специального сварочного аппарата.

Продолжительность хранения замороженных продуктов

Срок хранения продуктов питания зависит от их вида.

При температуре -18°C :

- Рыба, колбаса, готовые блюда, хлебо-булочные изделия:
до 6 месяцев
- Сыр, птица, мясо:
до 8 месяцев
- Овощи, фрукты:
до 12 месяцев

Суперзамораживание

Чтобы в замороженных продуктах сохранились витамины и питательные вещества, а также не испортились их привлекательный вид и хороший вкус, продукты должны как можно быстрее промерзнуть до самой сердцевины.

Включите суперзамораживание за несколько часов перед загрузкой свежих продуктов в целях предупреждения нежелательного повышения температуры.

В общем и целом достаточно 4–6 часов.

После включения данной функции прибор работает непрерывно. В морозильном отделении устанавливается очень низкая температура.

Для использования максимальной производительности замораживания, включите суперзамораживание за 24 часа до загрузки свежих продуктов.

Небольшие количества продуктов питания (до 2 кг) можно замораживать без включения суперзамораживания.

Указание

Во время работы суперзамораживания эксплуатационный шум может усиливаться.

Включение и выключение

Рис. 4

1. Выберите морозильное отделение кнопкой °C.
2. Нажмите кнопку super.

Загорается индикатор super freezing.

Режим суперзамораживания выключать не требуется. Примерно через 2 ½ дня прибор автоматически переключится на ранее установленную температуру.

Размораживание продуктов

В зависимости от вида и способа приготовления продуктов можно выбрать один из следующих способов их размораживания:

- при комнатной температуре,
- в холодильном отделении,
- в электрическом духовом шкафу, с обдувом горячим воздухом или без,
- в микроволновой печи.



Внимание

Подтаявшие или полностью размороженные продукты нельзя снова замораживать. Только после тепловой обработки продуктов (их можно сварить или поджарить) готовые блюда можно снова заморозить.

Но их нельзя хранить так же долго, как и замороженные свежие продукты.

Специальное оснащение

Полки и боксы

Полки, расположенные внутри холодильного отделения и в дверце холодильника, можно при желании переставлять в другое место: Потяните полку на себя, опустите ее спереди и затем извлеките ее сбоку из направляющих. Приподнимите полку и снимите ее с дверцы.

Специальное оснащение

(не во всех моделях)

Отделение для масла и сыра

Отделение для масла открывается легким нажатием на середину крышки отделения.

Для чистки отделение приподнять снизу и извлечь.

Комплект для завтрака

Рисунок 5

Контейнеры комплекта для завтрака можно вынимать и заполнять по отдельности.

Комплект для завтрака можно извлечь для того, чтобы уложить в него или вынуть из него продукты. Для этого комплект для завтрака приподнять и вытянуть. Крепление контейнера можно передвигать.

Полка для бутылок

Рисунок 6

На эту полку можно складывать бутылки, не боясь, что они упадут.

Ванночка для льда

Рисунок 13

1. Ванночку для льда заполните на $\frac{3}{4}$ питьевой водой и поместите в морозильное отделение.
2. Примерзшую ванночку для льда отделять только тупым предметом (ручкой ложки).
3. Для извлечения кубиков льда, ванночку немного подержать под проточной водой или слегка изогнуть.

Календарь со сроками хранения замороженных продуктов

Рисунок 12

Не превышайте сроков хранения замороженных продуктов, чтобы их качество не ухудшилось. Цифры рядом с символами – это допустимые сроки хранения замороженных продуктов в месяцах. Обращайте внимание на дату изготовления и срок годности предлагаемых в торговле быстрозамороженных продуктов.

Аккумулятор холода

При выключении электроэнергии или выходе холодильника из строя аккумулятор холода препятствует слишком быстрому нагреванию находящихся в морозильном отделении замороженных продуктов. Максимальное увеличение срока хранения возможно с помощью аккумулятора холода, положенного на продукты в верхнем отделении.

Аккумулятор холода можно также извлечь на время из морозильного отделения для охлаждения продуктов питания, например, в сумке из изолирующего материала.

Льдогенератор

Рисунок 14

Для приготовления кубиков льда использовать исключительно питьевую воду.

1. Извлечь емкость для воды и залить питьевую воду до отметки.

Указание

Если питьевой воды залито слишком много, то это может отрицательно повлиять на работу льдогенератора. Кубики льда не извлекаются отдельно из ванночки для льда.

Если питьевой воды залито слишком много, то вода затекает в емкость для хранения кубиков льда, и находящиеся там кубики льда слипаются.

2. Залить питьевую воду в заливное отверстие.
3. Вставить емкость для воды обратно на место.
4. Когда кубики льда заморозятся, нажать рычаг вниз и отпустить. Кубики льда отсоединятся от ванночки и упадут в емкость для их хранения.
5. Извлечь емкость для хранения кубиков льда и вынуть кубики льда.

Наклейка «ОК»

(не для всех моделей)

С помощью наклейки «ОК» можно проверить, достигаются ли в холодильном отделении рекомендуемые для сохранности продуктов диапазоны температур не выше +4 °С. Если наклейка не показывает «ОК», то температуру следует постепенно снизить.

Указание

После ввода прибора в эксплуатацию может пройти до 12 часов, пока температура достигнет заданного уровня.



Правильная установка

Выключение прибора и вывод его из эксплуатации

Выключение прибора

Нажимайте на кнопку «+» в течение 10 секунд.

Холодильный генератор выключится.

Вывод прибора из эксплуатации

Если Вы не будете использовать прибор в течение продолжительного времени:

1. Извлеките штепсельную вилку из розетки или выключите предохранитель.
2. Очистите прибор.
3. Оставьте дверцу прибора открытой.

Указание

Чтобы предотвратить повреждения прибора, его дверцы должны быть открыты так широко, чтобы они самостоятельно оставались открытыми. Не зажимайте какие-либо предметы дверцей, чтобы она оставалась открытой.

Чистка прибора

Внимание

- Не использовать средства для чистки и растворители, содержащие песок, хлорид или кислоты.
- Не использовать абразивные и царапающие губки.
На металлических поверхностях может появиться коррозия.
- Никогда не мыть полки и контейнеры в посудомоечной машине.
Детали могут деформироваться!

При мойке не допускайте попадания воды

- на элементы управления
- на освещение
- в вентиляционные отверстия
- в отверстия разделительной панели

Выполните следующие действия:

1. Извлеките штепсельную вилку из розетки или выключите предохранитель.
2. Извлеките замороженные продукты и положить их в прохладное место. Положить на продукты питания аккумуляторы холода (если таковые имеются).
3. Не допускайте попадания моющей воды в элементы управления, систему освещения, вентиляционные отверстия или отверстия перегородки!
Очистить прибор мягкой тряпочкой и теплой водой с небольшим количеством моющего средства с нейтральным pH.

4. Уплотнитель дверцы протереть только чистой водой и затем тщательно вытереть насухо.
5. После чистки: снова подключите прибор к электросети.
6. Загрузить обратно замороженные продукты.

Специальное оснащение

Для чистки все передвижные элементы прибора вынимаются.

Извлечение полок в двери

Рисунок 3

Приподнимите вверх полки и извлеките.

Извлечение стеклянных полок

Потяните стеклянные полки к себе и извлеките.

Извлечение бокса

Рисунок 9

Вытяните бокс до упора и извлеките его, приподняв спереди.

Извлечение бокса для замороженных продуктов

Рисунок 10

Вытяните бокс для замороженных продуктов до упора, приподнимите спереди и извлеките.

Извлечение стеклянной полки над контейнером для овощей

Рисунок 11

Вы можете вынимать и разбирать стеклянную полку для чистки.

Указание

Перед извлечением стеклянной полки извлеките контейнер для овощей.

Чистка льдогенератора

Льдогенератор следует регулярно чистить. Это поможет Вам избежать усыхания давно приготовленных кубиков льда, появления у них несвежего вкуса или их слипания.

1. Извлечь льдогенератор. Рисунок 15
2. Извлечь емкость для хранения кубиков льда и освободите ее от содержимого.
3. Снять крышку со льдогенератора.
4. Помыть все элементы льдогенератора в теплой воде.
5. Высушить полностью все элементы.
6. Собрать льдогенератор и вставить на место.

Фотокамера

Линзы фотокамер покрыты водоотталкивающей пленкой.

Для очистки используйте микрофибровую салфетку.

В случае повреждения замените пленку.

Освещение (на светодиодах)

Ваш холодильник оснащен системой освещения на светодиодах, которая не нуждается в техобслуживании.

Ремонт освещения данного типа должен проводиться лишь силами специалистов уполномоченного сервисного центра или квалифицированными специалистами, имеющими на это разрешение.

Как сэкономить электроэнергию

- Бытовой прибор следует установить в сухом, хорошо проветриваемом помещении! Он не должен стоять на солнце или поблизости от источника тепла (например, радиатора отопления, электроплиты).
При необходимости воспользуйтесь плитой из изолирующего материала.
- Теплые продукты и напитки перед размещением в приборе следует охладить.
- Замороженные продукты поместите для размораживания в холодильное отделение, чтобы использовать холод замороженных продуктов для охлаждения продуктов.
- Закрывайте двери прибора как можно быстрее.
- Чтобы обеспечить минимальный расход энергии: соблюдайте небольшое расстояние сбоку от стены.
- Порядок размещения элементов оснащения не влияет на потребление электроэнергии прибором.

Рабочие шумы

Обычные шумы

Указание

При включенном суперзамораживании шум во время работы может усиливаться.

Гудение

Работают двигатели (напр., холодильные агрегаты, вентилятор).

Бульканье или жужжание

Хладагент течет по трубам.

Щелчки

Включаются или выключаются двигатель, выключатель или магнитные клапаны.

Щелчок по фотокамерам

Окончание режима ожидания и калибровка фотокамер. Передача данных не происходит.

Потрескивание

Происходит автоматическое размораживание.

Как избежать посторонних шумов

Холодильник стоит неровно

Выровняйте, пожалуйста, холодильник с помощью ватерпаса. Отрегулируйте по высоте винтовые ножки холодильника или подложите что-нибудь под него.

Холодильник «зжат»

Отодвиньте, пожалуйста, холодильник от стоящей рядом мебели или других бытовых приборов.

Шатающиеся или заклинившие боксы или полки

Проверьте, пожалуйста, как установлены съемные детали и, при необходимости, расположите их правильно.

Бутылки или прочие емкости прикасаются друг к другу

Немного отодвиньте, пожалуйста, бутылки или емкости друг от друга.

Самостоятельное устранение мелких неисправностей

Прежде чем вызвать Службу сервиса:

проверьте, не сможете ли Вы устранить неполадки самостоятельно с помощью приведенных ниже рекомендаций.

Вам придется оплачивать вызов специалистов Службы сервиса для консультации самостоятельно – даже во время гарантийного периода!

Неисправность	Возможная причина	Устранение
Фактическое значение температуры сильно отличается от установленного.		В некоторых случаях достаточно выключить холодильник на 5 минут. Если температура слишком высокая, то проверьте через несколько часов, не приблизилось ли фактическое значение температуры к заданному. Если температура слишком низкая, то проверьте ее на следующий день еще раз.
В холодильном отделении или в отделении с пониженной температурой слишком холодно.		Установите более высокое значение температуры в холодильном отделении.
		Передвиньте вниз регулятор температуры для отделения с пониженной температурой. Рисунок 7
В морозильном отделении слишком высокая температура.	Слишком часто открывались дверцы бытового прибора.	Не открывайте бытовой прибор без надобности.
	Закрываются вентиляционные отверстия.	Уберите мешающие предметы.
	Замораживание слишком большого количества свежих продуктов питания.	Загружайте морозильное отделение с учетом макс. производительности замораживания.
Прибор не охлаждает, индикатор температуры и освещение светятся.	Включен демонстрационный режим.	Держите нажатой кнопку °C и кнопку настройки + в течение 5 секунд, пока не зазвучит подтверждающий сигнал. После отпущения кнопок также звучит подтверждающий сигнал. Проверьте через некоторое время, охлаждает ли ваш прибор.

Неисправность	Возможная причина	Устранение
Боковые стенки прибора нагреваются.	В боковых стенках проходят трубки, которые нагреваются в процессе охлаждения.	Это нормальный режим работы прибора, и неисправностью не является. Повреждение предметов мебели, соприкасающихся с прибором, под действием тепла не происходит.
Освещение не функционирует.	Система освещения на светодиодах вышла из строя.	Смотрите раздел «Освещение (на светодиодах)».
	Бытовой прибор оставался слишком долгое время открытым. Освещение отключится спустя ок. 10 минут.	После открытия и закрытия дверцы прибора освещение включается снова.
Не горит ни один из индикаторов.	Отключили электроэнергию; сработал предохранитель; вилка «болтается» в розетке.	Подключите штепсельную вилку к сети. Посмотрите, есть ли напряжение в электросети, проверьте предохранители.
Дверца морозильного отделения была слишком долго открытой; установленная температура больше не достигается.	Испаритель (производитель холода) в системе «NoFrost» слишком сильно обледенел, из-за чего он больше не может оттаивать полностью автоматически.	На время размораживания испарителя необходимо извлечь замороженные продукты вместе с ящиками и положить их на хранение в прохладное место, позаботившись об их хорошей теплоизоляции. Выключите холодильник и отодвиньте его от стены. Оставьте дверцу прибора открытой. Примерно через 20 минут талая вода начнет стекать в поддон для испарения, расположенный на задней стенке холодильника. Во избежание переливания талой воды через край поддона испарителя следует несколько раз собрать излишки воды с помощью губки. Когда вода перестает стекать в поддон, испаритель оттаял. Проведите чистку бытового прибора изнутри. Введите холодильник в эксплуатацию.

Неисправность	Возможная причина	Устранение
На поверхности и на полках в приборе образуется конденсат.	В теплой и влажной окружающей среде данный эффект усиливается.	<p>Вытирайте воду мягкой и сухой матерчатой салфеткой.</p> <ul style="list-style-type: none"> ■ Открывайте дверцы прибора на минимально короткий срок ■ Следите за тем, чтобы дверцы прибора всегда были правильно закрыты.
Фотокамеры не делают снимки.	Фотокамеры в Home Connect не активированы.	Активировать фотокамеры.
Нечеткие фотографии.	Дверца была слишком быстро закрыта.	Закрывайте дверцу медленнее.
	Пленка, предохраняющая стекло от запотевания, повреждена.	Замените пленку, предохраняющую стекло от запотевания.
Линзы фотокамер запотели.	Пленка, предохраняющая стекло от запотевания, повреждена.	Замените пленку, предохраняющую стекло от запотевания.

Самопроверка прибора

Ваш прибор оснащен программой автоматической самопроверки. Эта проверка покажет Вам источники неисправностей, которые могут быть устранены лишь специалистами Вашего уполномоченного сервисного центра.

Запуск программы самопроверки

1. Выключите прибор и выждите 5 минут.
2. Включите прибор и в первые 10 секунд после включения нажмите и удерживайте нажатыми кнопку °C и кнопку настройки «-» в течение 3-5 секунд, пока не раздастся звуковой сигнал.

Программа самопроверки запускается.

Если по завершении самопроверки раздастся двойной звуковой сигнал, Ваш прибор работает исправно.

5-кратный звуковой сигнал свидетельствует о неисправности. Обратитесь за помощью в сервисную службу.

Окончание самопроверки

После окончания программы прибор переключается в обычный режим работы.

Сервисная служба

Ближайшую сервисную службу Вы найдете в телефонном справочнике или в списке сервисных служб. При обращении в сервисную службу укажите номер изделия (E-Nr.) и заводской номер (FD-Nr.) прибора.

Эти данные Вы найдете на типовой табличке. Рисунок **16**

Помогите, пожалуйста, избежать ненужных выездов специалистов, правильно указав заводской номер и номер изделия. Тем самым Вы сэкономите связанные с этим дополнительные расходы.

Заявка на ремонт и консультация при неполадках

Контактные данные всех стран Вы найдёте в приложенном списке сервисных центров.

Güvenlik ve ikaz bilgileri

Cihazı çalıştırmadan önce

Kullanma ve montaj kılavuzlarını dikkatlice okuyunuz!

Bu kılavuzlarda cihazın kurulması, yerleştirilmesi, kullanılması ve bakımı ile ilgili önemli bilgiler bulunmaktadır.

Üretici, kullanma talimatlarındaki bilgi ve uyarıları dikkate almazsanız, herhangi bir sorumluluk üstlenmez. Tüm belge ve dokümanları sonradan kullanma ihtimalinden veya cihazı satacak olursanız, yeni sahibi için saklayınız.

Teknik güvenlik



Yangın tehlikesi

Soğutma devresinin boruları içinde az miktarda çevre dostu, ancak yanıcı olan soğutma maddesi (R600a) akar. Ozon tabakasına zarar vermez ve sera etkisini fazlalaştırmaz. Eğer soğutma maddesi dışarı sızarsa, gözleri yaralayabilir veya alevlenebilir.

Hasar durumunda

- Açık ateş veya alev kaynakları cihazdan uzak tutulmalıdır.
- Cihazın kurulu olduğu yer birkaç dakika havalandırılmalıdır.
- Cihazı kapatınız ve elektrik fişini çekip prizden çıkarınız.
- Yetkili servise haber verilmelidir.

Bir cihaz ne kadar fazla soğutucu madde ihtiva ederse, kurulduğu yer de o derece büyük olmalıdır. Çok küçük yerlerde, soğutma maddesi devresinde bir kaçak söz konusu olduğunda, yanıcı bir gaz hava karışımı oluşabilir. Her 8 gram soğutucu madde için gerekli olan yerin hacmi en az 1 m³ kadardır. Cihazınızın içinde bulunan soğutma maddesinin miktarı, cihazın iç kısmındaki tip levhasında yazılıdır.

Cihazın kurulması sırasında elektrik bağlantı kablusunun sıkışmamasına veya hasar görmemesine dikkat ediniz.

Bu cihazın elektrik bağlantı kablosu hasar görürse, kablonun üretici, yetkili servis veya benzer ustalık özelliklerine sahip bir kişi tarafından değiştirilmesi gerekir. Hatalı veya gerektiği şekilde yapılmayan kurma çalışmalarından ve onarımlardan dolayı cihazı kullanan kişi için oldukça önemli tehlikeler ortaya çıkabilir.

Onarımlar sadece üretici, yetkili servis veya benzeri eğitime sahip yetkili bir kişi tarafından yapılmalıdır.

Sadece üreticinin orijinal parçaları kullanılmalıdır. Üretici sadece bu parçalarda güvenlik taleplerine uyulduğunu garanti eder.

Çoklu prizler, uzatma kabloları veya adaptörler kullanmayınız.



Yangın tehlikesi

Taşınabilir çoklu prizler veya taşınabilir güç kaynakları aşırı ısınabilir ve yangına neden olabilir.

Taşınabilir çoklu prizleri veya taşınabilir güç kaynaklarını cihazın arkasına yerleştirmeyiniz.

Kullanım esnasında

- Cihazın içinde kesinlikle elektrikli cihazlar kullanmayınız (örn. ısıtma cihazları, elektrikli buz yapma makineleri vs.). Patlama tehlikesi!

- Cihazı temizlemek veya buzunu çözmek için asla buharlı temizleme cihazları kullanmayınız! Buhar elektrikli parçalara temas edebilir ve kısa devre olmasına sebep olabilir. Elektrik çarpma tehlikesi!
- Buz çözmeyi hızlandırmak için, üreticinin talimatları haricinde bir ilave önleme başvurmayınız. Patlama tehlikesi!
- Kar, kırağı ve buz tabakalarını temizlemek için sivri veya keskin kenarlı cisimler kullanmayınız. Aksi halde cihazın soğutucu madde boruları zarar görebilir. Dışarı fışkıran soğutucu madde tutuşup yanabilir veya göz yaralanmasına sebep olabilir.
- Yanıcı tahrik gazı ihtiva eden ürünleri (örn. sprey kutuları) ve patlayıcı maddeleri cihazın içinde bulundurmuyunuz. Patlama tehlikesi!
- Cihazın tabanını, raflarını, kapılarını ve benzer parçalarını basamak veya destek olarak kullanmayınız.
- Buz çözme ve temizleme işlemi için, cihazın elektrik fişini prizden çekip çıkarınız veya bağlı olduğu sigortayı kapatınız. Fişi prizden çıkarırken kablodan değil fişin kendisinden tutunuz.

■ Çocuklar ve tehlikeye maruz kalabilecek kişiler için söz konusu olabilecek risklerin önlenmesi:

Çocuklar ve bedensel, ruhsal veya algısal yetenekleri sınırlı olan veya cihazın güvenli kullanılması hakkında yeterince bilgisi olmayan kişiler tehlikeye maruz kalabilecek kişiler olarak kabul edilirler.

Çocukların ve söz konusu tehlikeye maruz kalabilecek kişilerin tehlikeleri anlamış olmasını sağlayınız.

Güvenlikten sorumlu bir kişi çocukları ve tehlikeye maruz kalabilecek kişileri cihaz kullanılırken denetlemeli veya onlara rehberlik etmelidir.

Sadece 8 yaşından büyük çocukların cihazı kullanmasına izin veriniz.

Temizleme ve bakım çalışmalarında çocukları denetleyiniz.

Çocukların cihaz ile oynamasına kesinlikle izin vermeminiz.

- Alkol oranı yüksek olan sıvı dolu şişeleri iyice kapatarak ve dik olarak buzdolabına koyunuz.
- Cihazın hava giriş ve çıkış delikleri kesinlikle örtülmemeli ve önleri kapatılmamalıdır.

- Cihazın plastik parçalarına ve kapının contasına sıvı ve katı yağ değmemesine özen gösteriniz. Aksi halde plastik parçalar ve kapı contası delinip aşınabilir.
- Şişe ve kutu içindeki sıvı maddeleri (özellikle karbonik asit ihtiva eden içecekleri) dondurucu bölümünde depolamayınız. Şişe ve kutular patlayabilir!
- Dondurulmuş besinleri kesinlikle dondurucudan çıkarır çıkarmaz ağzınıza almayınız. Donma yanığı tehlikesi!
- Ellerinizi uzun bir süre dondurulmuş besine, buza veya buharlaştırıcı borularına vs. temas etmesini önleyiniz. Donma yanığı tehlikesi!

Evdeki çocuklar

- Ambalajları ve ambalaj parçalarını çocuklara vermeyiniz. Katlanan kartonlardan ve folyolardan dolayı boğulma tehlikesi söz konusudur!
- Bu cihaz, çocuk oyuncuğu değildir.
- Kilit tertibatı olan cihazlarda: Anahtarı çocukların erişemeyecekleri bir yerde muhafaza ediniz!

Genel yönetmelikler

Cihaz,

- besinlerin soğutulması ve dondurulması için kullanılır,
- buz hazırlamak için kullanılır.

Bu cihaz evde ve ev ortamında kişisel kullanımınız içindir, ticari amaçlı kullanım için öngörülmemiştir.

Soğutucu madde devresinin sızdırmazlığı kontrol edilmiştir.

Bu cihaz, elektronik cihazlar için genel olarak geçerli olan güvenlik yönetmeliklerine uygundur ve elektriksel parazitlenmeye karşı korunmuştur.

Bu cihaz, deniz seviyesinden en fazla 2000 metre yükseklikte kullanılmak üzere tasarlanmıştır.

Giderme bilgileri

Yeni cihazın Ambalajının giderilmesi

Ambalaj, cihazınızı transport hasarlarına karşı korur. Ambalajda kullanılmış olan tüm malzemeler, çevreye zarar vermeyen türdendir ve yeniden kullanılabilir. Lütfen siz de yardımcı olunuz: Ambalajı çevreye zarar vermeyecek şekilde gideriniz.

Güncel giderme yol ve yöntemleri hakkında bilgi edinmek için, lütfen yetkili satıcınıza veya bağlı olduğunuz belediye idaresine başvurunuz.

AEEE Yönetmeliğine Uyum ve Atık Ürünün Elden Çıkarılması

Ambalaj malzemesini çevre kurallarına uygun şekilde imha ediniz.



Bu ürün T.C. Çevre ve Şehircilik Bakanlığı tarafından yayımlanan “Atık Elektrikli ve Elektronik Eşyaların Kontrolü Yönetmeliği”nde belirtilen zararlı ve yasaklı maddeleri içermez.

AEEE yönetmeliğine uygundur.

Bu ürün, geri dönüşümlü ve tekrar kullanılabilir nitelikteki yüksek kaliteli parça ve malzemelerden üretilmiştir. Bu nedenle, ürünü, hizmet ömrünün sonunda evsel veya diğer atıklarla birlikte atmayın. Elektrikli ve elektronik cihazların geri dönüşümü için bir toplama noktasına götürün. Bu toplama noktalarını bölgenizdeki yerel yönetime sorun. Kullanılmış ürünleri geri kazanıma vererek çevrenin ve doğal kaynakların korunmasına yardımcı olun. Ürünü atmadan önce çocukların güvenliği için elektrik fişini kesin ve kilit mekanizmasını kırarak çalışmaz duruma getirin.



Uyarı

Eskimiş ve artık kullanılmayacak cihazlarda:

1. Elektrik fişini çekip prizden çıkarınız.
2. Elektrik kablosunu kesip, fişi ile birlikte cihazdan ayırınız.
3. Çocukların cihazın içine girmesini zorlaştırmak için, rafları, çekmeceleri ve eşya gözlerini cihazdan çıkarmayınız.
4. Çocukların eskimiş cihaz ile oynamasına izin vermeyiniz. Boğulma tehlikesi!

Soğutma cihazlarının içinde soğutucu maddeler vardır, yalıtım tertibatlarında ise izolasyon gazları vardır. Soğutucu maddeler ve gazlar uzmanca giderilmelidir. Eski cihaz uzmanca ve çevreye zarar vermeyecek şekilde giderilinceye kadar, soğutucu madde sirkülasyon borularının zarar görmemesine dikkat ediniz.

Cihazın kurulacağı yer

Cihazın kurulacağı yerin kuru ve havalandırılabilen bir yer olması gerekir. Cihazın kurulduğu yer doğrudan güneş ışınlarına maruz kalmamalı ve ocak, radyatör vs. gibi bir ısı kaynağının yanında olmamalıdır. Eğer cihazın bir ısı kaynağının yanına kurulması önlenemiyorsa, uygun bir izolasyon levhası kullanılmalıdır veya ısı kaynağına olan asgari mesafe aşağıdaki gibi olmalıdır:

- Elektrikli veya gazlı ocak ve fırınlarda: 3 cm.
- Gaz yağı ve kömür sobalarından: 30 cm.

Cihazın kurulacağı yerdeki zemin esnememelidir, gerekirse takviye ediniz. Zeminin düzgün olmaması halinde, uygun altlıklar kullanarak, dengesizliği gideriniz.

Duvar mesafesi

Cihazı, cihaz kapısı 90° açılacak şekilde kurunuz.

Teslimat kapsamı

Ambalajdan çıkardıktan sonra, tüm parçaları olası transport hasarları açısından kontrol ediniz.

Şikayet veya itiraz söz konusu olduğunda, lütfen cihazı satın aldığınız yetkili satıcınıza veya yetkili servisimize başvurunuz.

Teslimat kapsamı, aşağıdaki parçalardan oluşmaktadır:

- Solo cihaz
- Donanım (modele bağlı)
- Montaj malzemelerini içeren torba
- Kullanma kılavuzu
- Montaj kılavuzu
- Yetkili servis defteri
- Garanti ekleri
- Enerji tüketimi ve çalışma sesleri ile ilgili bilgiler

Cihazın doğru konumlandırılması

Cihazı öngörülen yere yerleştiriniz ve bir su terazisi ile seviyesini ayarlayınız. Cihaz sağlam ve düzgün bir şekilde kurulmalıdır. Zeminin düzgün olmaması halinde, cihazın ön tarafındaki vida dişli iki ayar ayağı ile bu yamuklukları dengeleyiniz. Vida dişli ayakları ayarlamak için uygun bir civata anahtar kullanınız.

Bilgi

Cihaz dik konumda durmalıdır. Bir su terazisi yardımı ile ayarlayınız.

Mekan sıcaklığına ve havalandırmaya dikkat edilmelidir

Mekan sıcaklığı

Bu cihaz belli bir klima sınıfı için tasarlanmıştır. Klima sınıfına bağlı olarak bu cihazı şu çevre sıcaklıklarında kullanabilirsiniz.

İklim sınıfı tip levhasının üzerinde bulunur, Resim 16.

Klima sınıfı	Kabul edilebilir mekan sıcaklığı
SN	+10 °C ile 32 °C
N	+16 °C ile 32 °C
ST	+16 °C ile 38 °C
T	+16 °C ile 43 °C

Bilgi

Cihaz, bildirilmiş klima sınıfına ait oda sıcaklığı sınırları dahilinde, sahip olduğu tüm işlevleri ile çalışır. Eğer SN klima sınıfına dahil olan bir cihaz daha soğuk oda sıcaklıklarında işletilirse, +5 °C'ye kadar cihazda herhangi bir hasar olmayacağı garanti edilir.

Havalandırma

Resim 2

Cihazın arka yüzündeki ve yan yüzlerindeki hava ısınır. Isınan bu havanın kolayca çıkıp gidebilmesi gerekir. Aksi halde soğutucunun daha fazla çalışması gerekir. Bu da daha fazla elektrik sarfiyatına yol açar. Bu sebepten dolayı: Havalandırma deliklerinin önünün kesinlikle kapanmamasına dikkat ediniz!

Cihazın elektrik şebekesine bağlanması

Cihazı kurduktan sonra, çalıştırmadan önce en az 1 saat bekleyiniz. Transport esnasında, kompresörün içindeki yağ soğutma sistemi içine dağılıbilir.

Cihazı ilk kez devreye sokmadan önce, cihazın içini temizleyiniz (bakınız bölüm "Cihazın temizlenmesi").

Elektrik bağlantısı

Priz cihazın yakınında olmalı ve cihaz kurulduktan sonra da rahat ulaşılabilir olmalıdır.

⚠ Uyarı

Elektrik çarpma tehlikesi!

Elektrik kablosunun uzunluğu yeterli değilse, kesinlikle çoklu prizler veya uzatma kabloları kullanmayınız. Onun yerine alternatif seçenekler için yetkili servis ile irtibata geçiniz.

Cihaz, koruma sınıfı I tipi bir cihazdır. Cihazı 220–240 V/50 Hz alternatif akım üzerinden, kurallara uygun şekilde monte edilmiş, toprak hattına sahip bir prize bağlayınız. Priz, 10 A – 16 A değerinde bir sigortaya sahip olmalıdır.

Avrupa ülkelerinde işletilmeyen cihazlarda, bildirilen gerilimin ve akım türünün, sizin elektrik şebekenizin değerleri ile uyuşup uyuşmadığını kontrol ediniz. Bu bilgileri, tip levhası üzerinde bulabilirsiniz, Resim 16.

⚠ Uyarı

Bu cihaz kesinlikle elektronik enerji tasarruf prizlerine bağlanmamalıdır.

Cihazlarımızın işletilmesinde şebeke ve sinüs kontrollü konvertisörler kullanılabilir. Şebeke kontrollü konvertisörler, doğrudan umumi elektrik şebekesine bağlanan fotovoltaik sistemlerde kullanılır. Umumi elektrik şebekesine doğrudan bağlantısı olmayan tekil uygulamalarda (örn. gemilerde veya dağ evlerinde ya da dağ kulübelerinde), sinüs kontrollü konvertisörler kullanılmalıdır.

Cihaz özelliklerinin öğrenilmesi



Lütfen önce resimlerin bulunduğu son sayfayı açınız. Bu kullanma kılavuzu birçok cihaz modeli için geçerlidir.

Modellerin donanım kapsamı farklı olabilir.

Resimlerde farklılıklar olabilir.

Resim 1

* Her model için geçerli değil.

A Soğutucu bölmesi

B Dondurucu bölmesi

1–18 Kumanda elemanları

19* Tereyağı ve peynir kabı

20 Kamera

21 Küçük şişe rafı

22 Büyük şişe rafı

23 Aydınlatma (LED)

24* Şişe rafı

25* Kahvaltı seti

26 Soğuk depolama bölümü

27 Nem ayar düzeneğine sahip sebze kabı

28* Buz yapma ünitesi/Küp buz kabı

29* Dondurulacak besin kabı

Kumanda elemanları

Resim 4

- 1 **Soğutucu bölmesi ısı derecesi göstergesi**
Sayılar, soğutma bölümündeki ısı derecelerini °C türünden gösterir.
- 2 **Gösterge super cooling**
Süper soğutma fonksiyonu devrede olduğu zaman vurgulanır.
- 3 **Dondurucu bölmesi ısı derecesi göstergesi**
Işıklı gösterge çubuğundaki sayılar, dondurucu bölümündeki soğukluk derecesinin °C türünden değerine eşittir.
- 4 **Gösterge super freezing**
Süper dondurma fonksiyonu devrede olduğu zaman vurgulanır.
- 5 **Gösterge vacation**
Tatil modu açık olduğunda vurgulanır.
- 6 **Gösterge fresh**
Taze modu açık olduğunda vurgulanır.
- 7 **Eco mode göstergesi**
Eco modu açık olduğunda vurgulanır.
- 8 **Tuş mode**
Özel fonksiyonları seçmek için.
- 9 **Süper tuş**
super cooling (soğutma bölümü) ve super freezing (derin dondurucu kabin) fonksiyonlarını açmak için kullanılır.
- 10 **Ayar tuşları +/-**
Tuşlar, soğutma bölümünün ve derin dondurucu kabininin ısı derecesini ayarlamak için kullanılır.
- 11 **lock tuşu**
lock fonksiyonunu açmak için kullanılır.

- 12 **Bölme seçimi için °C tuşu ve alarm off**
Bir bölmeyi seçmek için kullanılır. Bu, sıcaklığı değiştirmek veya belirli özel fonksiyonları açmak için gereklidir.
Alarmı kapatmak için kullanılır.
- 13 **Tuş blokaj fonksiyonu "lock" (kilit)**
Bu fonksiyon devreye sokulmuşsa, kumanda elemanları üzerinden herhangi bir ayarlama yapmak mümkün değildir.
- 14 **Gösterge alarm off**
Cihaz fazla sıcak olduğunda vurgulanır.
- 15 **Gösterge alarm**
Derin dondurucu kabin fazla sıcak olduğunda veya derin dondurucu kabin kapısı çok uzun süre açık olduğunda vurgulanır.
- 16 **Gösterge freeze**
Derin dondurucu kabin seçili olduğunda vurgulanır.
- 17 **Alarm göstergesi**
Soğutma bölümü kapısı, çok uzun süre açık olduğunda yanar.
- 18 **Gösterge cool**
Soğutma bölümü seçili olduğunda vurgulanır.

Cihazın açılması

1. Önce fişi cihazın arka kısmındaki bağlantıya takınız. Fişin tamamen takılıp takılmadığını kontrol ediniz.
2. Sonra kablonun diğer ucundaki fişi elektrik prizine takınız.

Cihaz şimdi devreye sokulmuştur ve bir ikaz sesi duyulur.

İkaz sesini kapatmak için °C tuşuna basın.

Cihaz, ayarlanmış olan sıcaklığa ulaştığında alarm göstergesi kapanır.

Ön ayarı yapılmış ısı derecelerine birkaç saat sonra ulaşılır. Bu süreden önce cihaza besin koymayınız.

Fabrika ayarı olarak aşağıdaki dereceler önerilmektedir:

- Dondurucu bölümü: -18 °C
- Soğutucu bölümü: +4 °C

İşletme hakkında bilgiler

- Devreye sokma işleminden sonra, ayarlanmış ısı derecelerine ulaşıncaya kadar birkaç saat geçebilir.
- Tam otomatik NoFrost sistemi sayesinde, dondurucu bölümünde buz oluşmaz. Bu nedenle, buz çözme işlemi yapılması gerekmez.
- Kapı kapatıldıktan sonra hemen tekrar açılmazsa, oluşmuş olan vakum dengeleninceye kadar, biraz bekleyiniz.
- Gövdenin alın yüzleri ve yan duvarları kısmen hafif ısıtılır. Bu sayede terleme veya kondanse su oluşması önlenmiş olur.

Sıcaklık derecesinin ayarlanması

Resim 4

Soğutucu bölümü

Isı derecesi +2 °C ile +8 °C arasında ayarlanabilir.

1. °C tuşu ile soğutma bölümünü seçin.
2. İsteddiğiniz sıcaklık gösterilene dek +/- tuşlarına basın.

Hassas besinler +4 °C'den daha sıcak depolanmamalıdır.

Dondurucu bölümü

Isı derecesi -16 °C ile -24 °C arasında ayarlanabilir.

1. °C tuşuyla derin dondurucu kabinini seçin.
2. İsteddiğiniz sıcaklık gösterilene dek +/- tuşlarına basın.

Özel fonksiyonlar

Resim 4

Taze modu

Taze modu sayesinde besinler daha uzun bir süre taze kalır.

Açılması:

fresh göstergesi gösterilene dek mode tuşuna basın.

Cihaz otomatik olarak şu ısı derecelerini ayarlar:

- Soğutucu bölümü: + 2 °C
- Dondurucu bölümü: Olduğu gibi kalır

Kapatılması:

fresh göstergesi kapanana dek mode tuşuna basın.

Eco modu

Eco modu ile cihazı enerji tasarruflu çalışma moduna alabilirsiniz.

Açılması:

"eco mode" göstergesi gösterilene dek mode tuşuna basın.

Cihaz otomatik olarak şu ısı derecelerini ayarlar:

- Soğutucu bölmesi: +8 °C
- Dondurucu bölmesi: -16 °C

Kapatılması:

"eco mode" göstergesi kapanana dek mode tuşuna basın.

Tatil modu

Uzun zaman evde olmayacaksınız, cihazı enerji tasarruf moduna alabilirsiniz. Soğutucu bölmesi ısı derecesi otomatik olarak +14 °C değerine ayarlanır.

Bu süre dahilinde soğutucu bölmesinde herhangi bir besin muhafaza etmeyiniz.

Açılması:

vacation göstergesi gösterilene dek mode tuşuna basın.

Cihaz otomatik olarak şu ısı derecelerini ayarlar:

- Soğutucu bölmesi: +14 °C
- Dondurucu bölmesi: Olduğu gibi kalır

Kapatılması:

vacation göstergesi kapanana dek mode tuşuna basın.

Tuş kilidi fonksiyonu Lock (kilit)

Tuş kilidini açmak ve kapatmak için, lock tuşuna 5 saniye süresince basın.

Fonksiyon açık olduğunda, lock göstergesi vurgulanır.

Kumanda bölümü yanlışlıkla kullanılmaya karşı korunmuş durumdadır.

Tuş kilidi istisnaları:

Tuş kilidini kapatmak için ve bir uyarı sesi duyulduğunda, lock tuşuna basılabilir.

Alarm fonksiyonu

Aşağıdaki durumlarda alarm devreye sokulabilir.

Kapı alarmı

İlgili kapı çok uzun süre açık kalırsa, kapı alarmı devreye girer ve soğutma bölmesi 1 ısı derecesi göstergesinde veya derin dondurucu kabin 3 ısı derecesi göstergesinde alarm görüntülenir. İlgili kapı kapatılınca, kapı alarmı tekrar kapanır.

Isı alarmı

Aralıklı bir ses işitilir, dondurucu bölmesi 3 sıcaklık göstergesinde alarm görüntülenir.

Isı alarmı, dondurucu bölmesi çok sıcak olunca ve dondurulmuş besinler için tehlike söz konusu olunca devreye girer. Dondurulmuş besinler için tehlike söz konusu olmadan, alarm şu durumlarda devreye girebilir:

- Cihaz ilk defa çalıştırıldığında.
- Cihaza fazla miktarda taze besin konulduğu zaman.

Bilgi

Buzu çözülmeye başlamış veya çözülmüş olan besinleri tekrar dondurmuyunuz. Bu besinleri ancak pişirdikten sonra (pişiriniz veya kızartınız) yeniden dondurabilirsiniz.

Azami depolama süresini bu durumda tamamen kullanmayınız.

Isı derecesi göstergesi, dondurucu bölümünde söz konusu olmuş en sıcak ısı derecesini 5 saniye boyunca gösterir. Ardından yine ayarlanmış olan ısı derecesi gösterilir.

Alarmın kapatılması

İkaz sesini kapatmak için °C tuşuna basın.

Home Connect

Bu cihaz Wi-Fi uyumludur ve mobil bir uç cihaz ile uzaktan kumanda edilebilir.

Bilgi

Wi-Fi, Wi-Fi Alliance'ın tescilli bir markasıdır.

Cihaz aşağıdaki durumlarda ağ bağlantısı olmayan bir soğutucu cihaz gibi çalışır ve kumanda elemanları üzerinden manuel olarak kumanda edilebilir:

- Cihaz bir ev ağına bağlı değil.
- Cihaz kurulumunun yapıldığı ülkede Home Connect hizmeti sunulmuyor. Home Connect hizmetinin sunulduğu ülkelere yönelik bir genel bakışı www.home-connect.com sayfasında bulabilirsiniz.

Bilgiler

- Lütfen bu kullanım kılavuzundaki güvenlik uyarılarına uyun ve cihazı evde bulunmadan Home Connect uygulaması üzerinden kullanırken de bu kurallara uyulduğundan emin olun. Ayrıca Home Connect uygulamasındaki uyarıları da dikkate alın.
- Cihazın manuel kullanımı her zaman önceliklidir. Bu süre içinde Home Connect uygulaması üzerinden kullanım mümkün değildir.

Home Connect ayarlarının yapılması

Bilgiler

- <http://www.siemens-home.bsh-group.com> adresindeki Kılavuzlar bölümünden indirilebilecek Home Connect ekini dikkate alınız. Bunun için arama alanına cihazınızın e-numarasını giriniz.
- Cihazı açtıktan sonra, dahili cihaz başlatma işleminin tamamlanması için en az iki dakika bekleyiniz. Home Connect ayarları ancak bu işlem tamamlandığında yapılabilir.
- Home Connect üzerinden ayarlar yürütmek için Home Connect uygulamasının mobil uç cihazınızda kurulmuş olması gereklidir. Bunun için, ürün ile birlikte teslim edilen Home Connect belgelerini dikkate alınız. Ayarları yapmak için uygulama içinde belirtilen adımları takip ediniz.
- Cihaz uzun süre kullanılmadığında, Home Connect menüsü otomatik olarak kapanır. Home Connect menüsünün açılmasına yönelik bilgileri ilgili bölümün başında bulabilirsiniz.

Ev ağı (WLAN) ile otomatik bağlantı
WPS fonksiyonlu bir WLAN yönlendiricisi mevcutsa, soğutucu cihazı otomatik olarak ev ağına bağlayabilirsiniz.

1. Home Connect menüsünü açmak için super tuşuna ve lock tuşuna aynı anda basınız.

Göstergede **Cn** gösterilir.

Bilgi

İki tuşa tam olarak aynı anda basınız. Uzun süre boyunca sadece lock tuşuna basılırsa, tuş kullanımını bloke edilir. Blokaj kaldırılana dek yeniden lock tuşuna tekrar tekrar basınız.

2. Göstergelerde **AC** ve **oF** gösterilene dek tekrar tekrar °C tuşuna basınız.
3. + tuşuna basınız.

Cihaz, otomatik bağlantı için hazır.

Göstergede 2 dakika boyunca bir animasyon gösterilir.

Bu süre içerisinde aşağıdaki adımları uygulayınız.

4. Ev ağı yönlendiricisinde WPS fonksiyonunu etkinleştirin (örn. WPS-/WLAN tuşu üzerinden, bununla ilgili bilgiler, yönlendiricinin belgelerinde verilmiştir).

- Bağlantı başarılı olduğunda soğutma bölgesi göstergesinde **on** yanıp söner.

Şimdi soğutucu cihazı uygulamaya bağlayabilirsiniz.

- Göstergede **oF** gösteriliyorsa, bağlantı kurulamamıştır.

Soğutucu cihazın, ev ağının (WLAN) kapsama alanı içerisinde olup olmadığını kontrol ediniz.

İşlemi tekrarlayınız veya manüel bağlantı kurunuz.

Ev ağı (WLAN) ile manüel bağlantı

Mevcut olan WLAN yönlendiricisinde WPS fonksiyonu yoksa veya bu fonksiyon tanınmıyorsa, soğutucu cihazı manüel olarak ev ağına bağlayabilirsiniz.

1. Home Connect menüsünü açmak için super tuşuna ve lock tuşuna aynı anda basınız.

Göstergede **Cn** gösterilir.

Bilgi

İki tuşa tam olarak aynı anda basınız. Uzun süre boyunca sadece lock tuşuna basılırsa, tuş kullanımı bloke edilir. Blokaj kaldırılana dek yeniden lock tuşuna tekrar tekrar basınız.

2. Göstergelerde **SA** ve **oF** gösterilene dek tekrar tekrar °C tuşuna basınız.
3. + Tuşuna basınız.

Cihaz, manüel bağlantı için hazır.

Göstergede 5 dakika boyunca bir animasyon gösterilir.

Bu süre içerisinde aşağıdaki adımları uygulayınız.

4. Soğutucu cihaz şimdi **HomeConnect** ağ adıyla kendi WLAN ağını oluşturdu. Bu ağa şimdi mobil uç cihaz ile erişebilirsiniz.

5. Mobil uç cihazın ayar menüsünü açınız ve WLAN ayarlarını açınız.

6. Mobil uç cihazı WLAN ağına **HomeConnect** bağlayınız.

Şifre: **HomeConnect**

Bağlantının kurulması 60 saniyeye kadar sürebilir.

7. Bağlantı başarılı bir şekilde kurulduktan sonra Home Connect uygulamasını mobil uç cihazda açınız. Uygulama, soğutucu cihazı arar.

8. Soğutucu cihaz bulunduğu, ilgili alanlara kendi ev ağınızın (WLAN) ağ adını (SSID) ve şifresini (Key) giriniz.

9. **Ev cihazlarına aktar** butonuyla onaylayınız.

- Bağlantı başarılı olduğunda soğutma bölgesi göstergesinde **on** yanıp söner.

Şimdi soğutucu cihazı uygulamaya bağlayabilirsiniz.

- Göstergede **oF** gösteriliyorsa, bağlantı kurulamamıştır.

Şifreyi tekrar giriniz ve şifreyi doğru şekilde yazmaya dikkat ediniz.

Soğutucu cihazın, ev ağının (WLAN) kapsama alanı içerisinde olup olmadığını kontrol ediniz.

İşlemi tekrarlayınız.

Soğutucu cihazın Home Connect uygulamasına bağlanması

Soğutucu cihaz ile ev ağı arasında bağlantı kurulduğunda, soğutucu cihazı uygulamaya bağlayabilirsiniz.

1. Home Connect menüsünü açmak için super tuşuna ve lock tuşuna aynı anda basınız.

Göstergede **Cn** gösterilir.

Bilgi

İki tuşa tam olarak aynı anda basınız. Uzun süre boyunca sadece lock tuşuna basılırsa, tuş kullanımı bloke edilir. Blokaj kaldırılana dek yeniden lock tuşuna tekrar tekrar basınız.

2. Göstergelerde **PA** (Pairing = App ile bağlayınız) ve **oF** gösterilene dek tekrar tekrar °C tuşuna basınız.

3. Cihazı uygulamaya bağlamak için **+** tuşuna basınız.

Göstergede bir animasyon görüntülenir.

Soğutucu cihaz ve uygulama arasında bağlantı kurulduğunda, göstergede **on** gösterilir.

4. Uygulamayı açınız ve soğutucu cihaz gösterilene dek bekleyiniz.
Ekle ile uygulama ve soğutucu cihaz arasındaki bağlantıyı onaylayınız.
 Soğutucu cihaz otomatik olarak görüntülenmezse uygulamada **Cihaz ekle** üzerine tıklayınız ve talimatları izleyiniz. Soğutucu cihazınız gösterildiğinde, **+** ile ekleyiniz.
5. İşlem tamamlanana dek uygulamadaki talimatları izleyiniz.
- Göstergelerde **PA** ve **on** gösterilir. Soğutucu cihaz, uygulama ile başarılı bir şekilde bağlandı.
 - Bağlantı başarısız olursa, mobil uç cihazın ev ağına (WLAN) bağlı olup olmadığını kontrol ediniz.
Ardından soğutucu cihazı tekrar uygulamaya bağlayınız.
 - Göstergede **Er** gösterilirse, Home Connect ayarları sıfırlayınız ve ayarlama işlemlerini baştan uygulayınız.

Sinyal gücünü kontrol ediniz

Bağlantı kurulamadığında sinyal gücünü kontrol etmelisiniz.

1. Home Connect menüsünü açmak için super tuşuna ve lock tuşuna aynı anda basınız.
Göstergede **Cn** gösterilir.

Bilgi

İki tuşa tam olarak aynı anda basınız. Uzun süre boyunca sadece lock tuşuna basılırsa, tuş kullanımı bloke edilir. Blokaj kaldırılana dek yeniden lock tuşuna tekrar tekrar basınız.

2. Göstergede **SI** gösterilene dek tekrar tekrar °C tuşuna basınız. İkinci göstergede 0 (alim yok) ve 3 (tam alim) arasında bir değer gösterilir.

Bilgi

Sinyal gücü en az 2 olmalıdır. Sinyal gücü çok düşükse, bağlantı kesilebilir. Yönlendiriciyi ve soğutucu cihazı birbirine yaklaştırın, bağlantının bir engel oluşturan duvarlar tarafından bozulmadığından emin olun veya sinyali güçlendirmek için bir tekrarlayıcı monte edin.

Kameraların etkinleştirilmesi

Bu fonksiyon ile uygulama üzerinden istediğiniz zaman soğutucu cihazınızda nelerin bulunduğunu kontrol edebilirsiniz. Soğutucu bölümü kapağı her kapatıldığında, kameralar soğutucu bölümünün ve soğutucu bölümü kapağının bir fotoğrafını çeker.

Bilgi

Kameralar sadece bu anda bir fotoğraf çeker. Böylelikle gizliliğiniz korunur.

Soğutucu cihaz, ev ağına (WLAN) ve Home Connect uygulamasına bağlandığında kameraları etkinleştirebilirsiniz:

1. Home Connect menüsünü açmak için super tuşuna ve lock tuşuna aynı anda basınız.

Göstergede **Cn** gösterilir.

Bilgi

İki tuşa tam olarak aynı anda basınız. Uzun süre boyunca sadece lock tuşuna basılırsa, tuş kullanımı bloke edilir. Blokaj kaldırılana dek yeniden lock tuşuna tekrar tekrar basınız.

2. Göstergelerde **Ca** ve **oF** gösterilene dek tekrar tekrar °C tuşuna basınız.
3. Kameraları etkinleştirmek için + tuşuna basınız.

Göstergede **on** gösterilir, kameralar etkinleştirilmiştir.

Bilgi

Kameralar etkinleştirildiğinde ve soğutucu cihaz içeriği uygulama ile sık sorgulandığında daha fazla veri aktarımı gerçekleşir.

Bilgi

Fotoğrafları yükleme işlemi üç dakikaya kadar sürebilir.

Bilgi

Ev ağındaki ve internetteki çeşitli harici faktörler, aktarım sorunlarının oluşmasına ve resimlerin reddedilmesine neden olur. Bu durum temel cihaz fonksiyonlarını etkilemez.

Kameraların devre dışı bırakılması:

1. Home Connect menüsünü açmak için super tuşuna ve lock tuşuna aynı anda basınız.

Göstergede **Cn** gösterilir.

Bilgi

İki tuşa tam olarak aynı anda basınız. Uzun süre boyunca sadece lock tuşuna basılırsa, tuş kullanımı bloke edilir. Blokaj kaldırılana dek yeniden lock tuşuna tekrar tekrar basınız.

2. Göstergelerde **Ca** ve **on** gösterilene dek tekrar tekrar °C tuşuna basınız.
3. Kameraları devre dışı bırakmak için - tuşuna basınız.

Göstergede **oF** gösterilir, kameralar devre dışı bırakılmıştır.

Home Connect ayarlarını sıfırlama

Bağlantı kurulamazsa veya soğutucu cihazı başka bir ev ağında (WLAN) kaydetmek istiyorsanız, Home Connect ayarlarını sıfırlayabilirsiniz.

1. Home Connect menüsünü açmak için super tuşuna ve lock tuşuna aynı anda basınız.

Göstergede **Cn** gösterilir.

Bilgi

İki tuşa tam olarak aynı anda basınız. Uzun süre boyunca sadece lock tuşuna basılırsa, tuş kullanımı bloke edilir. Blokaj kaldırılana dek yeniden lock tuşuna tekrar tekrar basınız.

2. Göstergelerde **rE** ve **oF** gösterilene dek tekrar tekrar °C tuşuna basınız.
3. + Tuşuna basınız.

- Göstergede kısa bir animasyon ve ardından tekrar **oF** gösterilir. Home Connect ayarları sıfırlanmıştır.
- Eğer göstergede **Er** gösterilirse, sıfırlama işlemi yeniden başlatın veya müşteri hizmetlerini çağırınız.

Müşteri hizmetlerine erişim

Müşteri hizmetleri ile irtibat kurduğunuzda, sizin onayınız alındıktan sonra müşteri hizmetleri tarafından cihazınıza erişim sağlanarak cihazın durumu tespit edilebilir. Bunun için cihazınızı ev ağına bağlamış olmalısınız.

Müşteri hizmetleri erişimi ve müşteri hizmetlerinin ülkenizde kullanılabilirliği ile ilgili ayrıntılı bilgileri www.home-connect.com sayfasında Yardım&Destek alanında bulabilirsiniz.

1. Müşteri servisine haber veriniz.
2. Uygulamada müşteri hizmetleri erişimini başlatmayı onaylayınız.

Müşteri hizmetleri erişimi sırasında, kumanda bölümünde CS sembolü görüntülenir.

3. Müşteri hizmetleri gerekli bilgileri edindikten sonra erişimi derhal sonlandırır.

Bilgi

Müşteri hizmetleri erişimini Home Connect uygulamasından kapatarak arıza tespit işlemi bitmeden de iptal edebilirsiniz.

Veri güvenliğine dair uyarılar

Home Connect soğutucu cihazınızın internete bağlı bir WLAN ağı ile ilk kez bağlanmasıyla birlikte, cihazınız aşağıdaki kategorilerdeki verileri Home Connect sunucusuna gönderir (ilk kayıt):

- Benzersiz cihaz tanıtıcısı (cihaz anahtarlarından ve monte edilen Wi-Fi iletişim modülünün MAC adresinden oluşur).
- Wi-Fi iletişim modülünün güvenlik sertifikası (bağlantının bilgi teknolojileri bakımından güvenli şekilde kurulabilmesi için).

- Ev cihazınızın güncel yazılım ve donanım versiyonu.
- Fabrika ayarlarına olası bir geri alma durumuna dair bilgiler.

Bu ilk kayıt, Home Connect fonksiyonlarını kullanıma hazırlar ve sadece Home Connect fonksiyonlarını ilk defa kullanmak istediğinizde gerekli olacaktır.

Bilgi

Home Connect fonksiyonlarının sadece Home Connect uygulamasıyla bağlantılı olarak kullanılabilmesine dikkat ediniz. Veri güvenliğine ilişkin bilgileri Home Connect uygulaması içinden çağırabilirsiniz.

Uygunluk beyanı

BSH Hausgeräte GmbH, Home Connect fonksiyonuna sahip cihazın 2014/53/EU yönergesinin temel gerekliliklerine ve diğer ilgili kurallarına uygun olduğunu taahhüt eder.

Daha ayrıntılı bir RED uygunluk beyanını, www.siemens-home.bsh-group.com internet adresindeki cihaz ürün sayfasında yer alan ek dokümanlarda bulabilirsiniz.



2,4 GHz bant: 100 mW maks.

Kullanılabilen hacim

Cihazın kullanılabilen hacmi ile ilgili bilgiler için, cihazın tip etiketine (levhasına) bakınız. Resim 16

Dondurma kapasitesinin tamamen kullanılması

Azami dondurulacak besin miktarını cihaza yerleştirebilmek için, cihazın içindeki kapları dışarı çıkarabilirsiniz. Böylelikle besinleri doğrudan raf üzerine ve dondurucu bölmesi tabanı üzerine istif edebilirsiniz.

Bilgi

Besinler ve cihazın iç arka yüzü arasında temas olmasını önleyiniz. Aksi halde hava dolaşımı kötü etkilenebilir.

Besinler veya ambalajlar donarak cihazın iç arka yüzüne yapışabilir.

Donanım parçalarının çıkarılması

Dondurulmuş besin kabını sonuna kadar dışarı çekiniz, ön tarafını yukarı kaldırınız ve dışarı çıkarınız. Resim 10

- Buz hazırlayıcı donanımı olan cihazlarda, bu donanım dışarı çıkarılabilir. Resim 15

Soğutucu bölmesi

Soğutucu bölmesi et, salam-sucuk, balık, süt ürünleri, yumurta, hazır yemekler ve hamur ürünleri için ideal bir muhafaza etme yeridir.

Depolama işleminde dikkat edilmesi gerekenler

- Taze, sağlam besinleri depolayınız. Böylelikle kalite ve tazelik daha uzun korunur.
- Hazır ürünlerde ve doldurma ürünlerde, üretici tarafından bildirilmiş asgari kullanılabilirlik tarihine veya son kullanma tarihine dikkat ediniz.
- Aromanın, renklerin ve tazeliğin korunması için, besinleri iyi ambalajlanmış veya kapalı şekilde cihaza yerleştiriniz. Böylelikle besinler arasında birbirlerine tat verme ve soğutma bölgesindeki plastik parçalarda renk değişimleri önlenmiş olur.
- Sıcak yiyecekleri ancak soğuduktan sonra cihaza yerleştiriniz.

Bilgi

Hava sirkülasyonunun kötü etkilenmemesi için, soğutucu bölgesindeki havalandırma deliklerinin önünü besin koyarak bloke etmeyiniz. Doğrudan hava çıkış deliklerinin önüne yerleştirilen besinler, deliklerden çıkan soğuk havadan dolayı donabilir.

Soğutucu bölmesindeki soğuk kısımlara dikkat

Soğutucu bölmesindeki hava sirkülasyonundan dolayı, farklı soğukluk derecelerine sahip kısımlar oluşur:

- En soğuk bölgeler, hava çıkış deliklerinin ön kısmı ve soğuk depolama gözüdür, Resim **1**/26.

Bilgi

En soğuk kısımlarda hassas besinleri (örn. balık, sucuk, et) muhafaza ediniz.

- En sıcak alan kapıda en üst kısımdadır.

Bilgi

En sıcak alanda örn. sert peynir ve tereyağı muhafaza ediniz. Böylelikle sert peynir tadını geliştirmeye devam eder, tereyağı ise ekmeğe sürülebilir kıvamda kalır.

Nem ayar düzeneğine sahip sebze kabı

Resim **8**

Meyve ve sebzeler için en iyi depolama iklimini sağlamak için sebze kabı içindeki hava nemini ayarlayabilirsiniz:

- Öncelikle sebze ve karışık doldurmada veya az miktarda doldurmada – yüksek hava nemi oranı
- Öncelikle meyve ve yoğun miktarda doldurmada – düşük hava nemi oranı

Bilgiler

- Soğuk derecelere karşı hassas meyveler (örn. ananas, muz, papaya ve narenciyeler) ve sebzeler (örn. patlıcan, salatalık, kabak, biber, domates ve patates), kalitenin ve aromanın en iyi şekilde korunması için buzdolabının dışında, yaklaşık +8 °C ile +12 °C'de arasında depolanmalıdır.

- Depolama miktarına ve depolanan besine göre, sebze kabı içinde su yoğuşması söz konusu olabilir. Yoğuşan suyu kuru bir bez ile siliniz ve sebze kabı içindeki hava nemi oranını nem ayar sürgüsü üzerinden uygun şekilde ayarlayınız.

Soğuk depolama bölümü

Resim **9**

Soğuk depolama gözünde, soğutucu bölmesinden daha düşük dereceler elde edilir. 0 °C altında dereceler de söz konusu olabilir.

Balık, et ve sucuk depolamak için idealdir. Salata, sebze ve soğuğa karşı hassas besinler için uygun değildir.

Soğuk depolama gözlerinin ısı derecesini havalandırma deliği yardımıyla değiştirebilirsiniz. Isı derecesini düşürmek için, ısı derecesi ayar düğmesini yukarı itiniz. Isı derecesini yükseltmek için, ısı derecesi ayar düğmesini aşağı itiniz. Resim **7**

Kamera

Resim **1**/20

Kameralar kapı her kapatıldığında, iç kısmın ve kapı raflarının fotoğrafını çeker. Home Connect uygulamasını kullanarak fotoğrafları bir mobil uç cihazda açabilirsiniz.

Bilgi

Kaymış görüntüler, kapının çok hızlı kapatılmış olduğunu gösterir. Yeterince iyi bir görüntü kalitesi elde etmek için kapıyı yavaşça kapatınız. Buğulanmayı önleyici folyoda bir hasar da kaymış görüntülere neden olabilir.

Buğulanmayı önleyici folyonun değiştirilmesi

1. Hasarlı buğulanmayı önleyici folyoyu çıkartınız.

2. Yeni buğulanmayı önleyici folyoyu taşıyıcı kağıttan çözünüz.

Bilgi

Yapıştırılacak tarafa asla dokunmayınız. Bunun sonucunda fotoğrafların kalitesi olumsuz etkilenir. Buğulanmayı önleyici folyoyu dikkatli bir şekilde kenarından tutunuz.

3. Buğulanmayı önleyici folyoyu kamera merceğinin ortasına yapıştırınız.
4. Buğulanmayı önleyici folyonun dış koruyucu folyosunu çözünüz.

Süper soğutma

Süper soğutma fonksiyonunda, soğutucu bölmesi yaklaşık 6 saat boyunca mümkün olduğu kadar soğuk yapılır. Ardından otomatik olarak, süper soğutma fonksiyonundan önceki ayarlanmış olan ısı derecesine geçilir. Süper soğutma fonksiyonu örneğin şu durumlarda açılır

- Çok miktarda besin yerleştirilmeden önce.
- Çok çabuk içecek soğutmak için.

Açılması ve kapatılması

Resim 4

1. °C tuşu ile soğutma bölümünü seçin.
2. Super tuşuna basın.
super cooling göstergesi yanar.

Süper soğutmayı kapatmanız gerekmez.6 saat sonra otomatik olarak daha önce ayarlanan sıcaklığa getirilir.

Bilgi

Süper soğutma devreye sokulmuşsa, daha fazla işletme sesleri duyulabilir.

Dondurucu bölmesi

Dondurucu bölmesinin kullanımı

- Dondurucu bölmesi.
- Küp buz üretmek için.
- Besin dondurmak için.

Bilgi

Dondurucu bölmesinin kapısının daima kapalı olmasına dikkat ediniz! Kapı açığı olduğu zaman, dondurulmuş besinlerin buzu çözülür. Dondurucu bölmesi yoğun buz tutar. Ayrıca: Yüksek elektrik akımı tüketiminden dolayı gereksiz enerji harcanması söz konusudur!

Azami dondurma kapasitesi

24 saat içinde elde edilebilecek azami dondurma kapasitesi ile ilgili bilgiler için tip levhasına bakınız. Resim 16

Azm. dondurma kapasitesi için ön koşullar

- Süper dondurma fonksiyonunu taze besinleri yerleştirmeden önce devreye sokunuz (Süper dondurma bölümüne bakınız).
- Kabı cihazdan çıkarınız; besinleri doğrudan raf üzerine ve dondurucu bölmesinin tabanı üzerine diziniz.
- Dondurulacak besin miktarı çok olduğunda, öncelikle en üst gözde dondurunuz. Besinler orada daha çabuk ve böylelikle daha hassas dondurulur.

Besinlerin dondurulması ve depolanması

Derin dondurulmuş besin satın alınması

- Ambalaj zarar görmemiş olmalıdır.
- Son kullanma tarihine dikkat edilmelidir.
- Satış sandığındaki ısı derecesi -18°C veya daha soğuk olmalıdır.
- Derin dondurulmuş besinleri mümkünse bir izole eden poşet veya çanta içinde sevk ediniz ve en kısa zamanda dondurucu bölmesine yerleştiriniz.

Yerleştirirken dikkat edilecek konular

- Dondurulacak besin miktarı çok olduğunda, öncelikle en üst gözde dondurunuz. Besinler orada daha çabuk ve böylelikle daha hassas dondurulur.
- Besinleri geniş şekilde gözlemlere ya da dondurulacak besin kaplarına yayınız.

Bilgi

Önceden dondurulmuş olan besinler, yeni dondurulacak olan besinler ile temas etmemelidir. Gerekirse tamamen donmuş besinleri başka dondurulmuş besin kaplarına aktarınız.

Dondurulmuş besinlerin depolanması

Kusursuz bir hava sirkülasyonu sağlayabilmek için, dondurulmuş besin kabını sonuna kadar içeri sürünüz.

Taze besinlerin dondurulması

Dondurmak için sadece taze ve iyi besinler kullanınız.

Besi değerinin, aromanın ve rengin mümkün olduğu kadar korunması için, sebze dondurulmadan önce kısa haşlanmalıdır. Patlıcanlarda, biberlerde, kabaklarda ve kuşkonmazda kısa haşlama işlemi yapılması gerekmez.

Dondurma ve kısa haşlama hakkında literatür veya bilgi kaynakları için kitapçılara bakınız.

Bilgi

Dondurulacak besinlerin, önceden dondurulmuş besinler ile temasını önleyiniz.

- Dondurulmaya elverişli besinler: Hamur işleri, balık ve deniz ürünleri, et, av eti, kanatlılar, sebze, meyve, otsu baharatlar, kabuksuz yumurta, peynir, tereyağı ve süzme yoğurt gibi süt ürünleri, hazır yemekler, çorba, türlü, pişmiş et ve balık gibi yemek artıkları, patates yemekleri, sufleler ve tatlı besinler.
- Dondurulmaya elverişli olmayan besinler: Yaprak salata, kırmızı turp, kabuğu içinde yumurta, üzüm, bütün elma, armut ve şeftali, katı pişmiş yumurta, yoğurt, kesilmiş süt, krema, crème fraîche ve mayonez.

Dondurulmuş besinlerin ambalajlanması

Besinleri hava giremeyecek şekilde paketleniniz ki, tadı bozulmasın veya kurumasin. Besinleri ambalajlamak için veya besin kaplarını kapatmak için, sağlığa zararlı olabilecek malzemeler kullanmayınız.

1. Besinleri ambalaja koyunuz.
2. Havayı bastırıp boşaltınız.
3. Ambalajı sıkı ve hava sızmayacak şekilde kapatınız.
4. Ambalaj üzerine içindeki besinlerin ismini ve dondurma tarihini yazınız.

Aşağıdakiler ambalaj olarak uygundur:

Plastik folyo, polietilenden torba folyo, alüminyum folyo ve dondurmak için uygun kutular.

Bu ürünleri uzman satış mağazalarında bulabilirsiniz.

Aşağıdakiler ambalaj olarak uygun değildir:

Paketleme kağıdı, parşömen kağıdı, selofan (jelatinli kağıt), çöp torbası ve kullanılmış poşetler.

Kapatmak için aşağıdakiler uygundur:

Lastik halkalar, plastik klipsler, bağlama iplikleri, soğuğa dayanıklı yapışkan bantlar veya benzeri malzemeler.

Polietilenden torbalar ve hortum folyoları bir folyo kaynak (ısıtıp yapıştırma) cihazı ile sızdırmaz şekilde kapatılabilir.

Dondurulmuş besinlerin son kullanma tarihi

Dondurulmuş besinlerin dayanma süresi, -18 °C ısı derecesi ayarında:

- Balık, sucuk, hazır yemek, hamur ürünleri:
6 aya kadar
- Peynir, kanatlı hayvanlar, et:
8 aya kadar
- Sebze, meyve:
12 aya kadar

Süper dondurma

Vitaminlerin, besi değerlerinin, görünüşün ve tadın korunması için, besinler mümkün olduğu kadar hızlı bir şekilde ortalarına kadar tamamen dondurulmalıdır.

Taze besin yerleştirmeden birkaç saat önce süper dondurma fonksiyonunu devreye sokarak, taze besinler yerleştirildiğinde söz konusu olabilecek istenmeyen ısı derecesi yükselmesini önleyiniz.

Genel olarak 4–6 saat kadar önceden çalıştırmak yeterlidir.

Bu fonksiyon devreye sokulduktan sonra, kompresör sürekli çalışır ve dondurucu bölmesinde çok düşük bir dereceye ulaşılır.

Azm. dondurma kapasitesi kullanılmak isteniyorsa, taze besin yerleştirilmeden 24 saat önce süper dondurma fonksiyonu devreye sokulmalıdır.

Az miktarda besin (azami 2 kg kadar), süper dondurma fonksiyonu kullanılmadan da dondurulabilir.

Bilgi

Süper dondurma devreye sokulmuşsa, daha fazla işletme sesleri duyulabilir.

Açılması ve kapatılması

Resim 4

1. °C tuşu ile dondurucu bölümünü seçin.
2. Super tuşuna basın.
super freezing göstergesi yanar.

Süper dondurma modunu kapatmanız gerekmez.Yaklaşık 2 ½ gün sonra otomatik olarak daha önce ayarlanan sıcaklığa getirilir.

Dondurulmuş besinlerin buzunun çözülmesi

Besin çeşitlerine ve kullanım amacına göre, şu olanaklar arasında seçme yapılabilir:

- Oda sıcaklığında
- Buzdolabında
- Elektrikli fırında, sıcak hava ventilatörü kullanılarak/kullanılmadan
- Mikrodalga fırında

Dikkat

Buzu çözülmeye başlamış veya çözülmüş olan besinleri tekrar dondurmayınız. Bu besinleri ancak pişirdikten sonra (pişiriniz veya kızartınız) yeniden dondurabilirsiniz.

Bu durumda besinin azami depolama süresini tamamen kullanmayınız.

Dolap

Raflar ve kaplar

İç kısmın raflarını, kapı içindeki rafları ve gözleri, ihtiyacınıza göre değiştirebilirsiniz: İlgili rafı öne doğru çekiniz, ön tarafını aşağı indiriniz ve yana doğru çevirerek dışarı çıkarınız. Kabı yukarı kaldırınız ve dışarı çıkarınız.

Özel donanım

(her modelde değil)

Tereyağı ve peynir kabı

Tereyağı gözünün kapağının orta kısmına hafifçe basılarak, tereyağı gözü açılır.

Gözü çıkarıp temizlemek için, alt kısmını yukarı doğru kaldırınız ve dışarı çıkarınız.

Kahvaltı seti

Resim 5

Kahvaltı setinin kapları teker teker dışarı çıkarılabilir ve doldurulabilir.

Kahvaltı setini, doldurmak ve boşaltmak için dışarı çıkarabilirsiniz. Bunun için kahvaltı setini yukarı kaldırınız ve çekip dışarı çıkarınız. Kabin tutucu düzeni kaydırılıp değiştirilebilir.

Şişe rafı

Resim 6

Şişe rafında şişeler emin bir şekilde muhafaza edilebilir.

Buz kabı

Resim 13

1. Buz kabının $\frac{3}{4}$ kadarını içme suyu ile doldurunuz ve kabı dondurucu bölmesine yerleştiriniz.
2. Buz kabı tabana yapışırsa, keskin ve sivri olmayan bir cisim ile çözmeye çalışınız (kaşık sapı).
3. Küp buzları buz kabından çıkarmak için, kabı kısa bir süre musluktan akan su altına tutunuz veya biraz sağa sola bükünüz.

Dondurucu takvimi

Resim 12

Dondurulmuş besinlerin kalitesinde azalma olmasını önlemek için, depolama süresini aşmayınız. Sembollere tertip edilmiş sayılar, dondurulmuş besinler için izin verilen depolama süresini ay türünden bildirir. Normal satışa sunulan derin dondurulmuş besinlerde üretim veya son kullanma tarihine dikkat ediniz.

Soğutma aküsü

Soğutma aküsü, elektrik kesilmesi veya bir arıza durumunda, depolanmış dondurulmuş besinlerin ısınmasını yavaşlatır. Soğutma akülerini en üst gözde besinlerin üzerine yerleştirirseniz, mümkün olan en uzun depolama süresine ulaşabilirsiniz.

Soğutma aküsü, gıda maddelerinin geçici olarak, örn. bir soğutma çantasında soğuk tutulmaları için de kullanılabilir.

Buz yapma ünitesi

Resim 14

Küp buz üretmek için sadece içme suyu kullanınız.

1. Su kabını dışarı çıkarınız ve işarete kadar içme suyu doldurunuz.

Bilgi

Çok fazla içme suyu doldurulması buz üretme cihazının işlevini etkileyebilir. Küp buzlar buz kabından teker teker çözülemez. Fazladan doldurulmuş içme suyu stok kabına akar, hazırlanmış mevcut küp buzlar bu su ile donup birbirine yapışır.

2. İçme suyunu doldurma deliğine doldurunuz.
3. Su kabını yeniden yerine takınız.
4. Küp buzlar donduktan sonra, kolu aşağı bastırınız ve serbest bırakınız. Küp buzlar çözülür ve buz stok kabınının içine düşer.
5. Stok kabını dışarı çekiniz ve küp buzları alınız.

Çıkartma "OK"

(her modelde yoktur)

"OK" çıkartması ile, soğutma bölümünde gıda maddeleri için güvenli olan ve tavsiye edilen +4 °C veya altı bir ısı derecesinin mevcut olup olmadığını kontrol edebilirsiniz. Çıkartmada "OK" gösterilmezse, ısı derecesini adım adım azaltınız.

Bilgi

Cihaz devreye sokulduktan sonra, ayarlanmış ısı derecesine ulaşılması 12 saat sürebilir.



Doğru ayar

Cihazın kapatılması, cihazın tamamen kapatılması

Cihazın kapatılması

"+" tuşuna 10 saniye basınız. Soğutucu kapanır.

Cihazın tamamen kapatılması

Eğer cihaz uzun bir süre kullanılmayacaksa:

1. Elektrik fişi çekilip prizden çıkarılmalı veya cihazın bağlı olduğu sigorta kapatılmalıdır.
2. Cihazı temizleyiniz.
3. Cihaz kapılarını açık bırakınız.

Bilgi

Cihazın hasar görmesini önlemek için cihaz kapıları, kendilerinden açık duracak kadar açılmalıdır. Kapıyı açık tutmak için kapının arasına herhangi bir cisim sıkıştırmayın.

Cihazın temizlenmesi

⚠ Dikkat

- Kum, klor veya asit içeren temizleme maddeleri ve çözücü maddeler kullanmayınız.
- Ovalama gerektiren veya çizen süngerler kullanmayınız.
Metalik yüzeylerde korozyon oluşabilir.
- Raflar ve kaplar kesinlikle bulaşık makinesinde yıkanmamalıdır.
Aksi halde bu parçalar deforme olabilir.

Temizleme suyu müteakip bölümlere girmemelidir:

- Kullanım elemanları
- Aydınlatma
- Havalandırma delikleri
- Ayırma plakasında delikler

Aşağıdaki işlemleri uygulayınız:

1. Elektrik fişini prizden çıkartınız veya cihazın bağlı olduğu sigortayı kapatınız.
2. Dondurulmuş besinleri cihazdan dışarı çıkarınız ve serin bir yerde muhafaza ediniz. Soğutma akülerini (varsa) besinlerin üzerine yerleştiriniz.
3. Deterjanlı temizleme suyu, kumanda elemanları, aydınlatma, havalandırma delikleri veya ayırma plakası deliklerinin içine irmemelidir!
Cihazı yumuşak bir bez, ılık su ve pH değeri nötr olan bir bulaşık deterjanı ile temizleyiniz.
4. Kapı contası sadece temiz su ile silinmelidir ve ardından iyice silinip kurulanmalıdır.
5. Temizleme işleminden sonra, cihazı tekrar elektrik şebekesine bağlayınız.
6. Şimdi dondurulmuş besinleri yeniden cihaza yerleştiriniz.

Dolap

Temizlenmek amacıyla, cihazın tüm yeri değiştirilebilen parçaları dışarı çıkarılabilir.

Kapı içindeki rafların dışarı çıkarılması

Resim 3

Rafları yukarı kaldırınız ve dışarı çıkarınız.

Cam rafların dışarı çıkarılması

Cam rafları öne doğru çekiniz ve dışarı çıkarınız.

Kapların dışarı çıkarılması

Resim 9

Kabı sonuna kadar dışarı çekiniz, ön tarafını yukarı kaldırınız ve dışarı çıkarınız.

Dondurulmuş besin kabının dışarı çıkarılması

Resim 10

Dondurulmuş besin kabını sonuna kadar dışarı çekiniz, ön tarafını yukarı kaldırınız ve dışarı çıkarınız.

Sebze kabı üzerindeki cam rafın dışarı çıkarılması

Resim 11

Cam rafı, temizlenmek üzere dışarı çıkarılabilir ve parçalarına ayırabilirsiniz.

Bilgi

Cam rafı cihazdan dışarı çıkarmadan önce, sebze kabını dışarı çekiniz.

Buz yapma ünitesinin temizlenmesi

Buz yapma ünitesini muntazam aralıklar ile temizleyiniz. Bu sayede uzun süre önce hazırlanmış küp buzların büzülüp küçülmesini, bayatlamış bir tat almasını veya birbirine yapışmasını önlemiş olursunuz.

1. Buz yapma ünitesini dışarı çıkarınız. Resim 15
2. Stok kabını dışarı çıkarınız ve boşaltınız.
3. Buz yapma ünitesinin kapağını çıkarınız.
4. Buz yapma ünitesinin tüm parçalarını sıcak su ile temizleyiniz.
5. Tüm parçaların tamamen kurummasını bekleyiniz.
6. Buz yapma ünitesini yeniden toplayıp tamamlayınız ve yerine takınız.

Kamera

Kamera lensleri, nem itici bir folyo ile kaplanmıştır.

Temizlik için bir mikrofiber bez kullanınız. Hasar durumunda folyoyu değiştiriniz.

Aydınlatma (LED)

Cihazınız, bakım istemeyen bir LED aydınlatması ile donatılmıştır.

Bu aydınlatma donanımında yapılacak onarımlar sadece yetkili servis veya yetkilendirilmiş uzman elemanlar tarafından uygulanmalıdır.

Enerji tasarrufu

- Cihazı serin ve iyi havalandırılmış bir yere kurunuz! Güneş ışınları doğrudan cihazın kurulacağı yere gelmemeli ve cihaz sıcaklık oluşturan cisimlerin ve ısı kaynaklarının (örn. soba, kalorifer, ocak, fırın gibi) yanına veya yakınına kurulmamalıdır.

Gerekirse bir izolasyon plakası kullanınız.

- Sıcak besinleri ve içecekleri cihaza yerleştirmeden önce soğumasını bekleyiniz ve soğuduktan sonra cihaza yerleştiriniz.
- Dondurulmuş besinleri buzlarının çözülmesi için soğutucu bölümüne yerleştirerek, bu besinlerin soğukluğunu söz konusu bölümdeki besinlerin soğutulması için kullanınız.
- Cihaz kapılarını mümkün olduğu kadar kısa açınız.
- Enerji tüketiminin en düşük seviyede olmasını sağlamak için: duvara olan mesafe mümkün olduğunca kısa tutulmalıdır.
- Donanım parçalarının düzeni, cihazın enerji alma veya çekme tutumunu etkilemez.

Çalışma sesleri

Normal çalışma ses ve gürültüleri

Bilgi

Süper dondurma devreye sokulmuşsa, daha fazla işletme sesleri duyulabilir.

Boğuk horultu

Motorlar çalışıyor (örn. soğutma ünite grubu, ventilatör).

Fıkırtı, şırıltı ve tınlama sesleri

Boruların içinde soğutma maddesi akıyor.

Çıtlama sesi

Motor, şalter veya manyetik valfler açılıyor/kapanıyor.

Kameralara tıklatma

Standby (bekleme) modu sona erdirilir ve kameraların kalibrasyonu gerçekleştirilir. Veri aktarımı gerçekleşmez.

Çatırdama

Ötomatik buz çözme yapıyor.

Gürültü oluşmasının önlenmesi

Cihaz düz yerleştirilmemiş

Cihazı lütfen bir su terazisinin yardımı ile dengeli ayarlayınız. Düzeltme işlemi için cihazın ayarlanabilen vidalı ayarlarını kullanınız veya altına uygun parçalar koyunuz.

Cihaz bir yere "temas" ediyor

Cihazı, temas ettiği mobilya veya cihazlardan ayırınız.

Kaplar veya raflar sallanıyor veya sıkışıyor

Dışarı çıkarılabilen parçaları kontrol ediniz ve gerekirse yeniden takınız.

Şişeler veya kaplar birbirine değiyor

Şişeleri veya kapları birbirinden biraz ayırınız.

Basit hataları kendiniz giderebilirsiniz

Yetkili servisi çağırılmadan önce:

Aşağıdaki talimatların yardımıyla arızayı kendinizin giderip gideremeyeceğinizi kontrol ediniz.

Garanti süresi içerisinde dahi, bu gibi durumlarda servis görevlisinin masraflarının tümünü kendiniz ödemek zorundasınız!

Arıza	Muhtemel sebebi	Giderilmesi
Sıcaklık derecesi, yapılmış ayardan çok daha farklı.		Bazı durumlarda cihazı 5 dakika kapatmanız yeterlidir. Isı derecesi çok sıcak ise, birkaç saat sonra ısı derecesinin ayar derecesine yaklaşmış olduğunu kontrol ediniz. Sıcaklık derecesi düşükse, yani çok soğuksa, sıcaklık derecesini ertesi gün tekrar kontrol ediniz.
Soğutucu bölmesi veya soğuk depolama gözü çok soğuk.		Soğutucu bölmesinin ısı derecesini daha sıcak ayarlayınız. Soğuk depolama gözü için ısı derecesi ayar düşmesini aşağı itiniz. Resim 7
Dondurucu bölmesinin derecesi çok sıcak.	Cihazın çok sık açılması. Hava giriş ve çıkış deliklerinin önü kapanmış. Çok miktarda taze besin donduruldu.	Cihazı gereksiz açmayınız. Engeller giderilmelidir. Azami dondurma kapasitesi aşılmamalıdır.
Cihaz soğutmuyor, ısı derecesi göstergesi ve aydınlatma yanıyor.	Sergileme modu devreye sokulmuştur.	Bir onay sesi duyuluncaya kadar °C tuşunu ve + ayar tuşunu 5 saniye basılı tutun. Tuşları bıraktığınızda bir onay sesi daha duyulur. Bir süre sonra, cihazınızın soğutup soğutmadığını kontrol edin.
Cihazın yan duvarları sıcak.	Yan duvarlarda, soğutma işlemi esnasında ısınan borular bulunmaktadır.	Bu cihazın normal bir davranışıdır, bir arıza değildir. Cihaza temas eden mobilyalar, ısı sonucu hasar görmez.

Arıza	Muhtemel sebebi	Giderilmesi
Aydınlatma çalışmıyor.	LED aydınlatma bozuk. Cihaz kapısı veya kapağı çok uzun bir süre açık kaldı. Aydınlatma yakl. 10 dakika sonra kapatılır.	Bakınız bölüm "Aydınlatma (LED)". Cihaz kapısı veya kapağı kapatılıp açıldıktan sonra, aydınlatma yine yanar.
Herhangi bir gösterge yanmıyor.	Elektrik kesintisi; sigorta kapalı; elektrik fişi prize iyi takılmamış.	Elektrik fişini takınız. Elektrik akımı olup olmadığı kontrol edilmelidir, sigortalar kontrol edilmelidir.
Dondurucu bölümünün kapısı uzun süre açık kaldı; artık ayarlanmış sıcaklığa ulaşamıyor.	NoFrost sistemindeki evaporatör (soğuk üretici) aşırı oranda buz tutmuş ve bu nedenle tam otomatik buz çözme işlemini yapamıyor.	Evaporatörün buzunu çözmek için, dondurulmuş besinleri çekmeceler veya içine kondukları gözler ile birlikte cihazdan dışarı çıkarınız ve iyice izole ederek, serin bir yerde muhafaza ediniz. Cihazı kapatınız ve iteleyerek duvardan uzaklaştırınız. Cihazın kapısı açık bırakılmalıdır. Yaklaşık 20 dakika sonra, eriyen su cihazın arka yüzündeki buharlaşma kabının içine akmaya başlar. Bu işlem esnasında buharlaşma kabının taşmasını önlemek için, eriyen suyu bir sünger ile emerek kabın boşlmasını sağlayınız. Buharlaşma kabına artık buz suyu eriyip akmayınca, evaporatörün buzunu çözülmüş demektir. Cihazın içini temizleyiniz. Cihazı tekrar çalıştırınız.
Cihaz yüzeyinde ve cihazdaki gözlerde yoğuşma suyu birikiyor.	Sıcak ve nemli ortam koşulları bu etkiyi kuvvetlendirir.	Temiz ve kuru bir bez kullanarak suyu silin. ■ Cihaz kapağını mümkün olduğunca kısa süre açın ■ Cihaz kapağının her zaman doğru şekilde kapatılmış olmasına dikkat edin.
Kameralar, fotoğraf çekmiyor.	Kameralar Home Connect içimde etkinleştirilmedi.	Kameraları etkinleştiriniz.
Fotoğraflar net değil.	Kapı çok hızlı kapatılmış. Buğulanmayı önleyici folyo hasarlı.	Kapıyı daha yavaş kapatınız. Buğulanmayı önleyici folyoyu değiştiriniz.
Kamera mercekleri buğulanmış.	Buğulanmayı önleyici folyo hasarlı.	Buğulanmayı önleyici folyoyu değiştiriniz.

Cihazın kendini test etmesi

Cihazınız bir kendini test etme programı ile donatılmıştır ve bu program size, sadece yetkili servis tarafından giderilebilecek hata kaynaklarını gösterir.

Cihazın kendini test etme programının başlatılması

1. Cihazı kapatınız ve 5 dakika bekleyiniz.
2. Cihazı devreye sokunuz ve ilk 10 saniye içinde °C tuşunu ve "-" ayar tuşunu bir akustik sinyal duyuluncaya kadar, 3-5 saniye basılı tutunuz.

Kendi kendini test programı çalışmaya başlar.

Kendi kendini test sona erdikten sonra, iki kez bir akustik sinyal çalınca, cihazının iyi durumdadır.

5 akustik sinyal çalarsa, bir hata söz konusudur. Müşteri hizmetlerine bildiriniz.

Cihazın kendini test etme programının sona erdirilmesi

Program sona erince, cihaz normal çalışma moduna geri döner.

Müşteri Hizmetleri

Size yakın bir yetkili servisimizi telefon rehberinde veya yetkili servis listesinde bulabilirsiniz. Müşteri hizmetlerine lütfen cihazın ürün numarasını (E-Nr.) ve imalat numarasını (FD-Nr.) belirtin.

Bu numaraları, tip levhasının üzerinde bulabilirsiniz. Resim 13

Cihazın ürün numarasını ve imalat numarasını bildirmek suretiyle, gereksiz gidip gelme masraflarını ve zaman kaybını önlemiş olursunuz. Böylelikle ilgili fazla masraflardan tasarruf etmiş olursunuz.

Arızalarda onarım siparişi ve danışma

Tüm ülkelerin iletişim bilgileri için, ekteki yetkili servis listesine bakınız.

TR 444 6688

Çağrı merkezini sabit hatlardan aramanın bedeli şehir içi ücretlendirme, Cep telefonlarından ise kullanılan tarifeyle göre değişkenlik göstermektedir.

Kullanım Süresi: 10 YIL (Ürünün fonksiyonunu yerine getirebilmesi için gerekli yedek parça bulundurma süresi).

Garanti Şartları

- Malın ayıplı olduğunun anlaşılması durumunda tüketici, 6502 sayılı Tüketicinin Korunması Hakkında Kanununun 11 inci maddesinde yer alan;

- Sözleşmeden dönme
- Satış bedelinden indirim isteme,
- Ücretsiz onarılmasını isteme,
- Satılanın ayıpsız bir misli ile değiştirilmesini isteme,

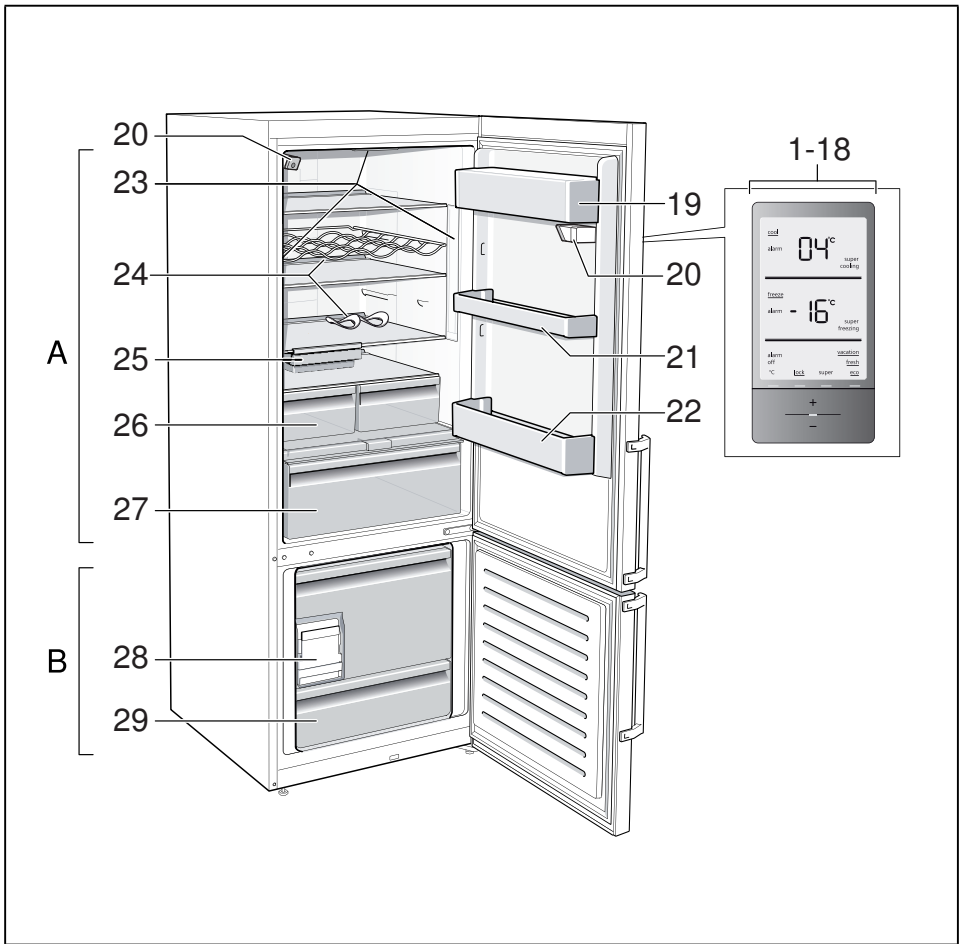
haklarından birini kullanabilir.

- Tüketicinin bu haklarından ücretsiz onarım hakkını seçmesi durumunda satıcı; işçilik masrafı, değiştirilen parça bedeli ya da başka herhangi bir ad altında hiçbir ücret talep etmeksizin malın onarımını yapmak veya yaptırmakla yükümlüdür. Tüketici ücretsiz onarım hakkını üretici veya ithalatçıya karşı da kullanılabilir. Satıcı, üretici ve ithalatçı tüketicinin bu hakkını kullanmasından müteselsilen sorumludur.

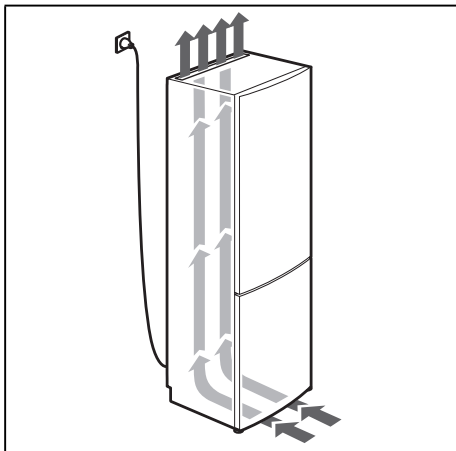
- Tüketicinin, ücretsiz onarım hakkını kullanması halinde malın;
 - Garanti süresi içinde tekrar arızalanması,
 - Tamiri için gereken azami sürenin aşılması,
 - Tamirinin mümkün olmadığı için, yetkili servis istasyonu, satıcı, üretici veya ithalatçı tarafından bir raporla belirlenmesi durumlarında;

tüketici malın bedel iadesini, ayıp oranında bedel indirimini veya imkan varsa malın ayıpsız misli ile değiştirilmesini satıcından talep edilir. Satıcı, tüketicinin talebini reddedemez. Bu talebin yerine getirilmemesi durumunda satıcı, üretici ve ithalatçı müteselsilen sorumludur.

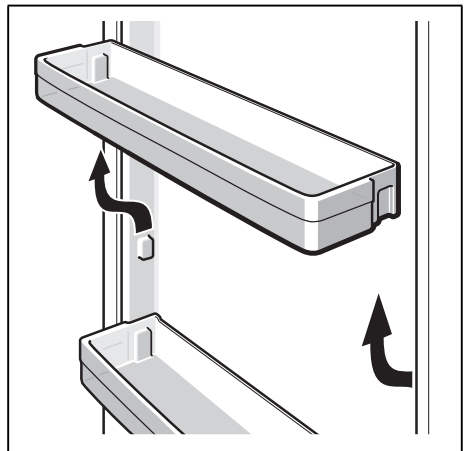
- Malın kullanım kılavuzunda yer alan hususlara aykırı kullanılmasından kaynaklanan arızalar garanti kapsamı dışındadır.
- Tüketici, garantiden doğan haklarının kullanılması ile ilgili olarak çıkabilecek uyuşmazlıklarda yerleşim yerinin bulunduğu veya tüketici işleminin yapıldığı yerdeki Tüketici Hakem Heyetine veya Tüketici Mahkemesine başvurabilir.



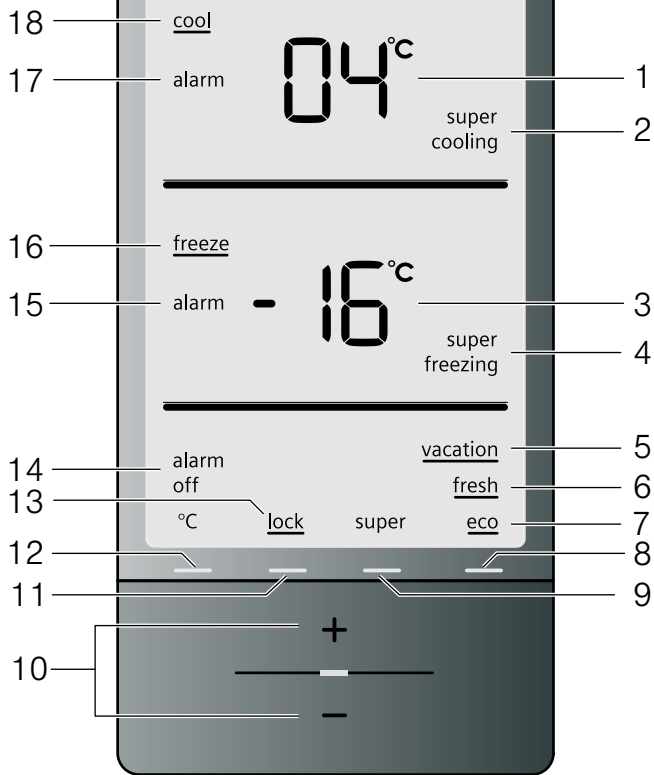
1



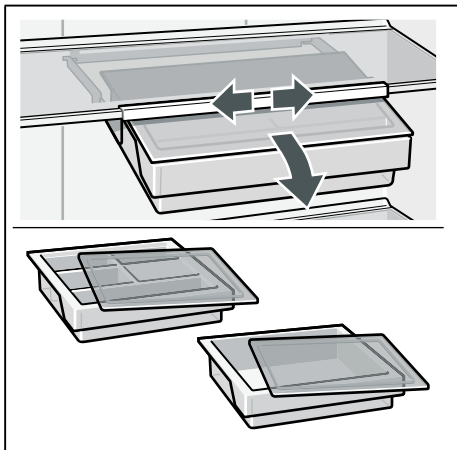
2



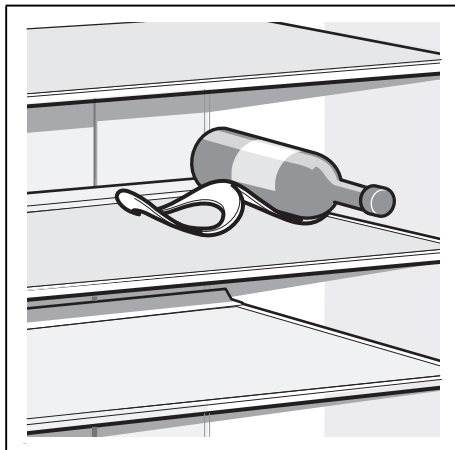
3



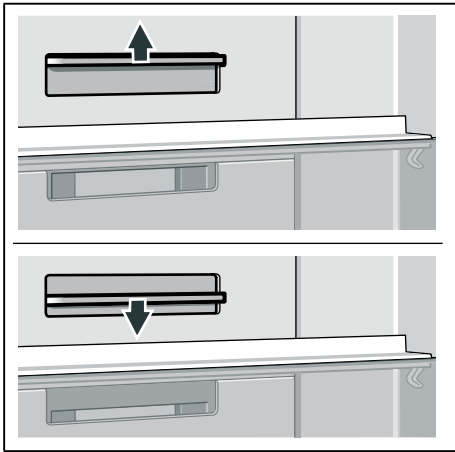
4



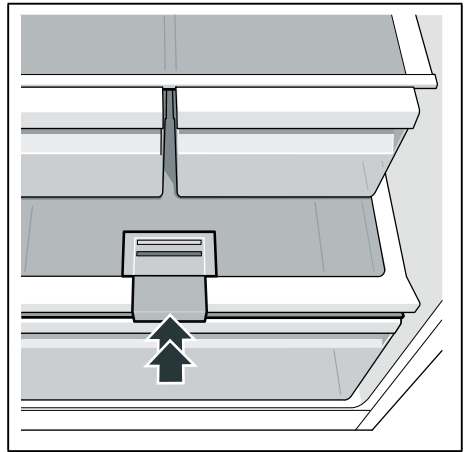
5



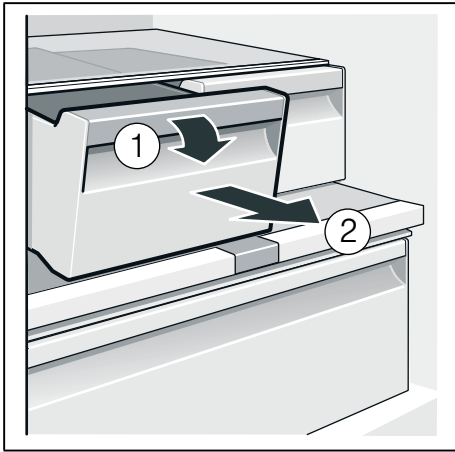
6



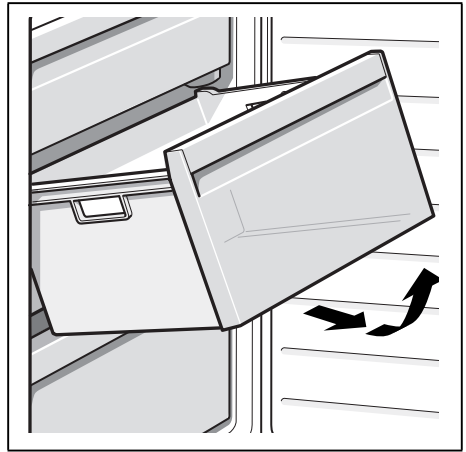
7



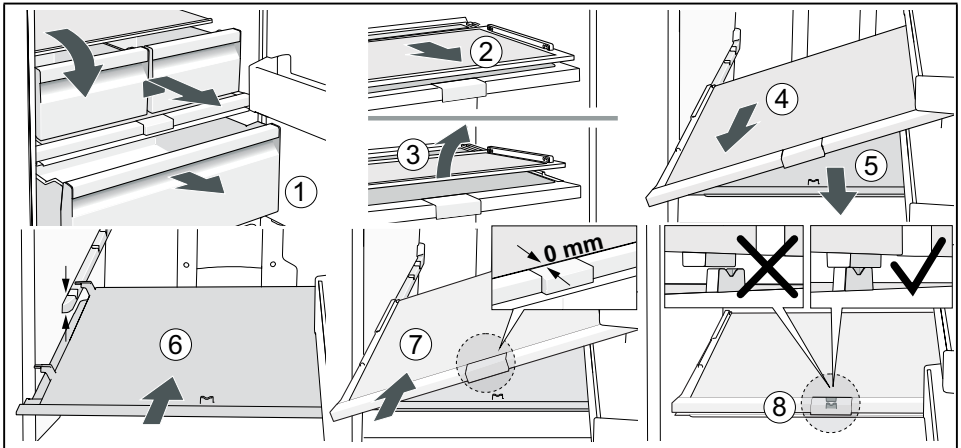
8



9



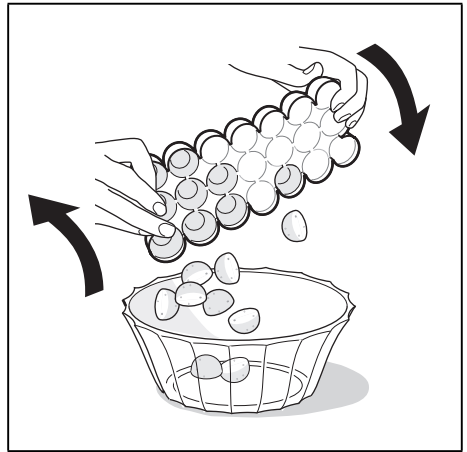
10



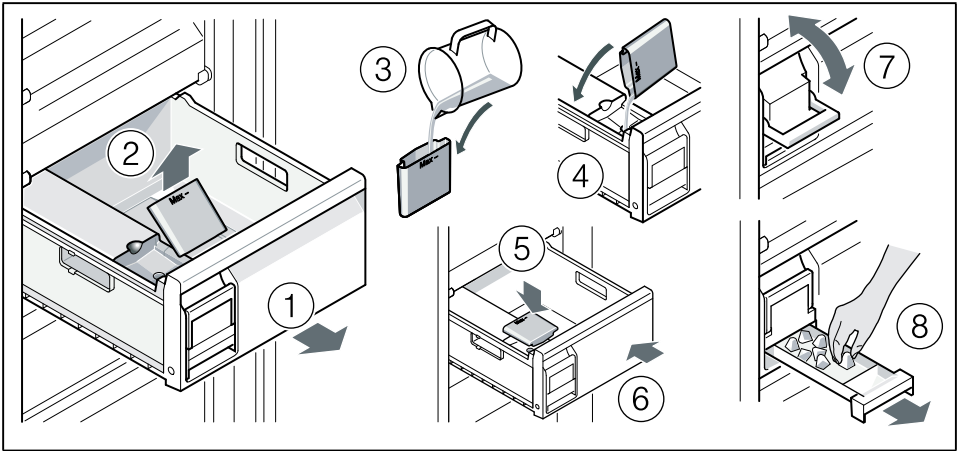
11



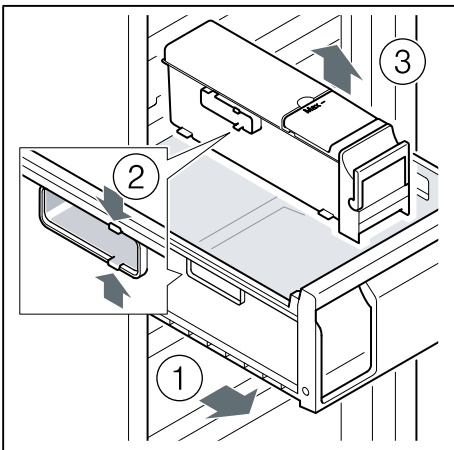
12



13



14



15



16

BSH Hausgeräte GmbH
Carl-Wery-Straße 34
81739 München, GERMANY

siemens-home.bsh-group.com

Manufactured by BSH Hausgeräte GmbH under Trademark License of Siemens AG
Изготовлено ООО «БСХ Бытовые Приборы» под товарным знаком компании Сименс АГ
BSH Ev Aletleri Sanayi ve Ticaret A.Ş. tarafından Siemens AG'nin Ticari Marka Lisansı ile üretilmiştir



8001097490 (9905)

en, ru, tr