



ARISTON

SPARE PARTS EXPLODED VIEW GAS-WALL BOILER ATM. BURNER

Model

CLAS X

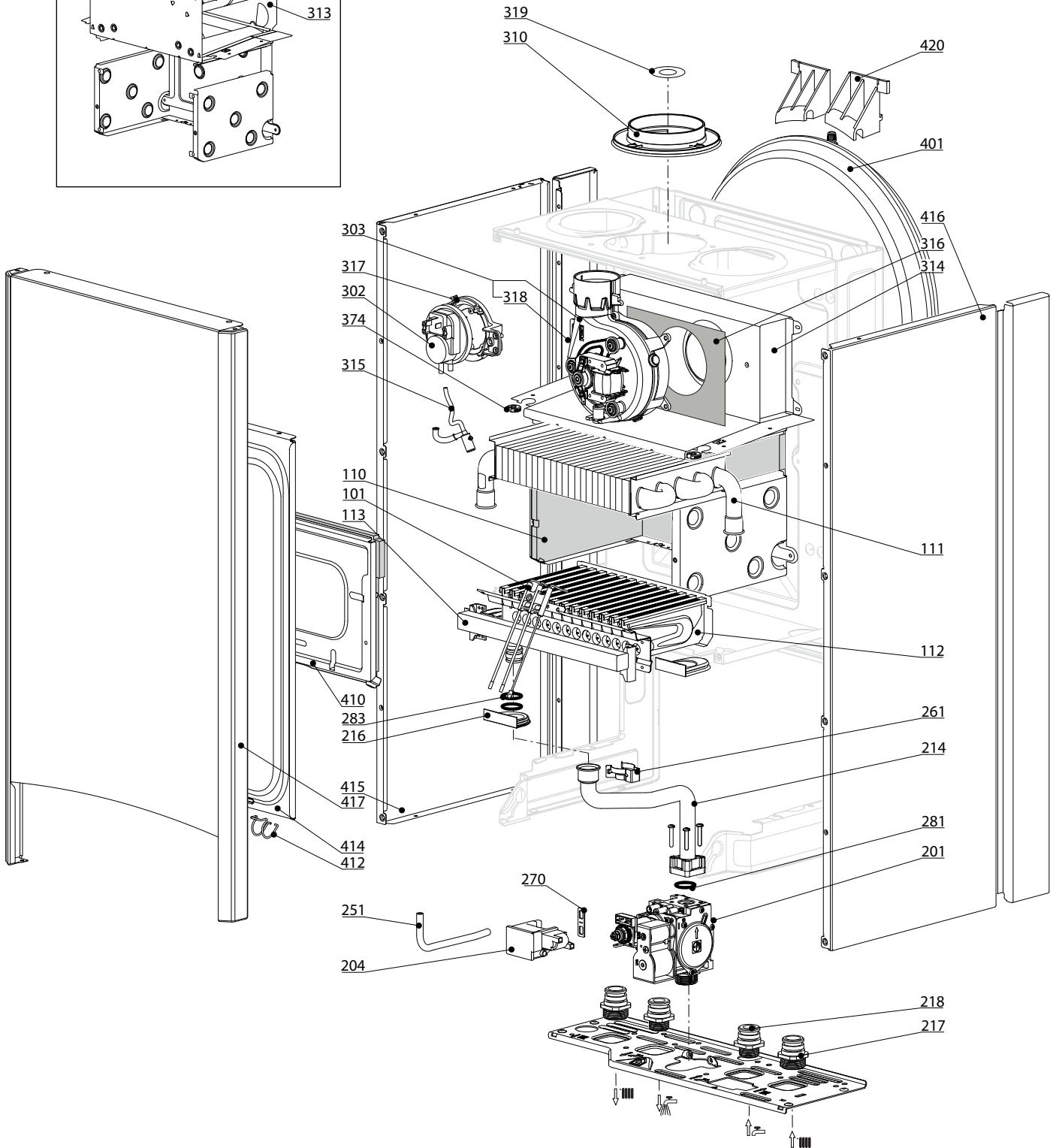
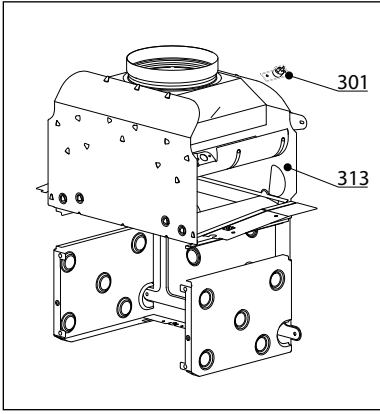
R8203475-05 - 24/09/2018

CLAS X

Gas-wall boiler atm. burner

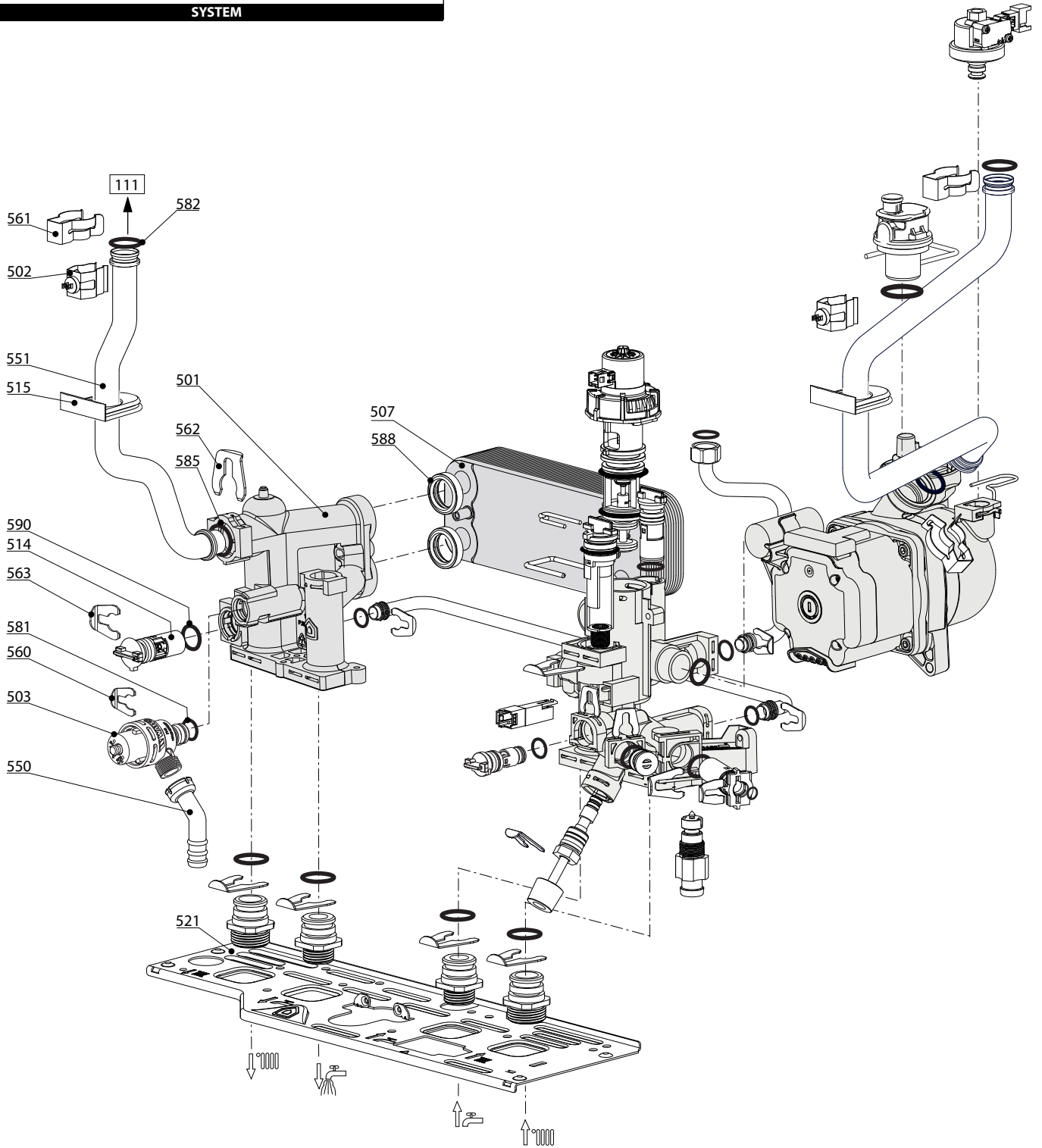
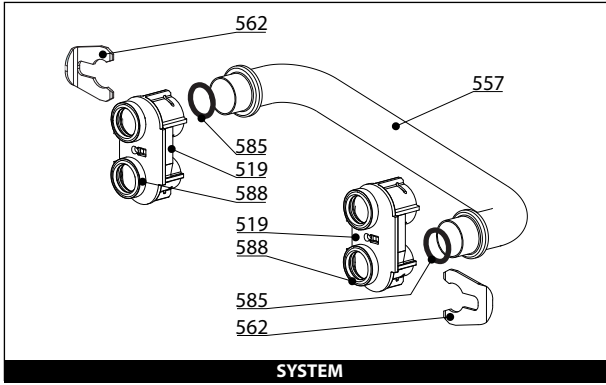
1	3300866	CLAS X 24 CF NG	09-2016	-
2	3300864	CLAS X 24 FF NG	09-2016	-
2	3301335	CLAS X 24 FF NG	02-2018	-
3	3300865	CLAS X 28 FF NG	09-2016	-
3	3301336	CLAS X 28 FF NG	02-2018	-
4	3301320	CLAS X 35 FF NG	02-2018	-
5	3300867	CLAS X SYSTEM 24 CF NG	12-2016	-
6	3300868	CLAS X SYSTEM 28 CF NG	12-2016	-
7	3300869	CLAS X SYSTEM 24 FF NG	12-2016	-
8	3300870	CLAS X SYSTEM 28 FF NG	12-2016	-
9	3300871	CLAS X SYSTEM 32 FF NG	12-2016	-
Col	Reference	Model type	Begin	End

100
200
300
400



CLAS X

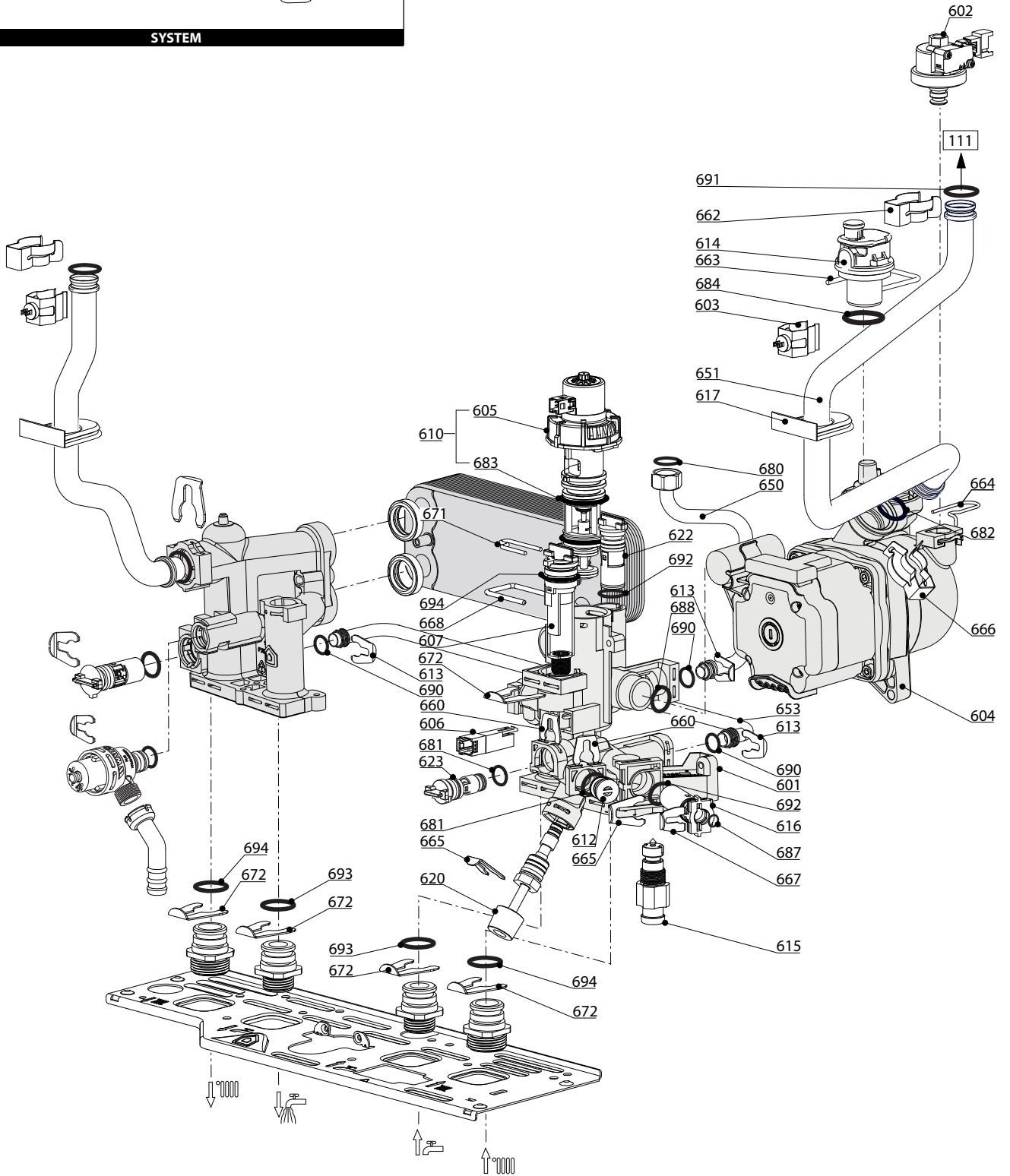
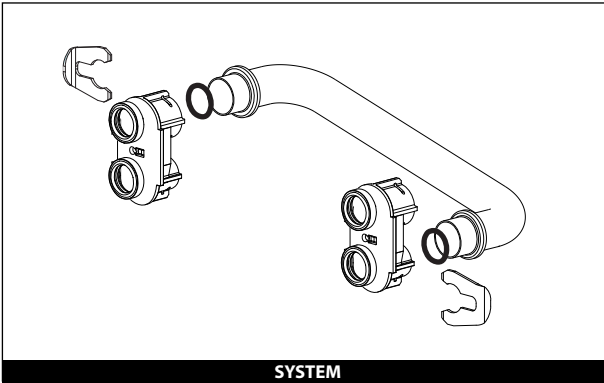
Gas-wall boiler atm. burner



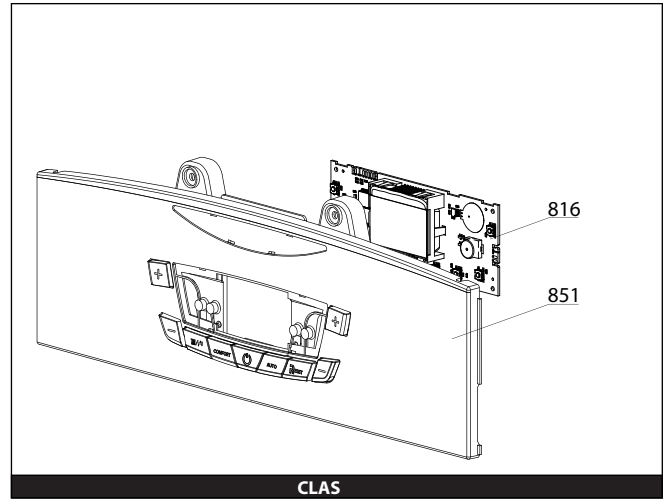
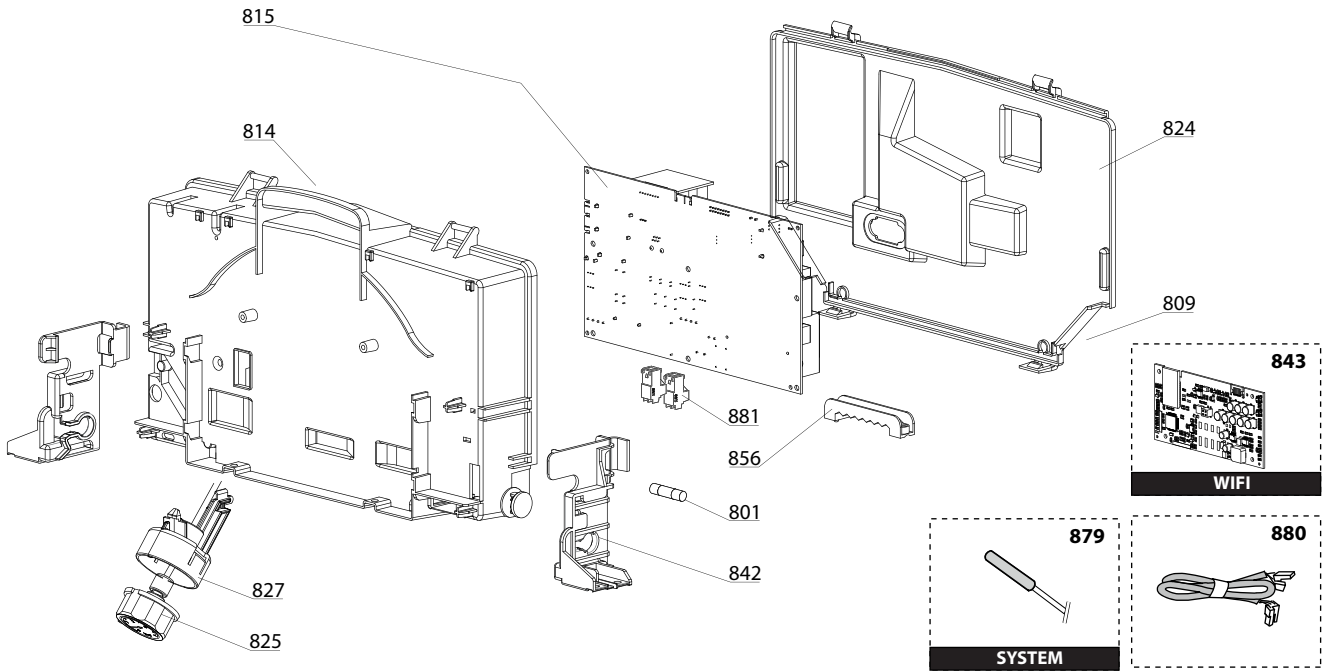
☉⇒	Description	Manf. Pt. N	Type	<div style="display: flex; justify-content: space-between; font-size: small;"> CLAS X 24 CF CLAS X 24 FF CLAS X 28 FF CLAS X 32 FF CLAS Y SYSTEM 24 CF CLAS X SYSTEM 28 CF CLAS X SYSTEM 24 FF CLAS X SYSTEM 28 FF </div>																		From	to
				1	2	3	4	5	6	7	8	9	10	11	12	13	14	15	16	17	18		
0500	FLOW GROUP																						
0501	FLOW GROUP	65115933							•	•	•	•	•										
	FLOW GROUP	65115933		•	•	•	•													08/16	05/18		
	FLOW GROUP	65117952		•	•	•	•													06/18			
	REPLACEMENT HYDRAULIC KIT	65116615		•	•	•															07/16		
0502	TEMPERATURE PROBE + CLIP	990686-01		•	•	•	•	•	•	•	•	•	•										
0503	PRESSURE RELIEF VALVE (3 BAR)	61312668		•	•	•	•	•	•	•	•	•	•										
0507	SANITARY HEAT EXCHANGER (16 P.)	65104333		•	•	•	•																
0514	BY-PASS	65114917		•	•	•	•	•	•	•	•	•	•										
0515	GROMMET	60000808		•	•	•	•	•	•	•	•	•	•										
0519	INTERFACE 'System +' Open	60001365						•	•	•	•	•	•										
0521	HYDRAULIC GROUP SUPPORT	65115797		•	•	•	•	•	•	•	•	•	•										
0550	PIPE (SAFETY VALVE OUTLET)	60001955		•	•	•	•	•	•	•	•	•	•										
0551	PIPE (C.H. FLOW)	65115067			•				•														
	PIPE (C.H. FLOW)	65115763		•					•														
	PIPE (C.H. FLOW)	65115764						•		•				•									
	PIPE (C.H. FLOW)	65115765				•							•										
0557	PIPE	65115935							•	•	•	•	•										
0560	CLIP	65114933		•	•	•	•	•	•	•	•	•	•										
0561	CLIP	61307589		•	•	•	•	•	•	•	•	•	•										
0562	CLIP D18	65104259		•	•	•	•	•	•	•	•	•	•										
0563	CLIP	65114932		•	•	•	•	•	•	•	•	•	•										
0581	O-RING 17.96X2.62	65104337		•	•	•	•	•	•	•	•	•	•										
0582	O-RING 17.86X2.62	61308091		•	•	•	•	•	•	•	•	•	•										
0585	O-RING 17.04X3.53	65104262		•	•	•	•	•	•	•	•	•	•										
0588	EXCHANGER GASKET	65114928		•	•	•	•	•	•	•	•	•	•										
0590	O-RING 11.91X2.62	65114940		•	•	•	•	•	•	•	•	•	•										

CLAS X

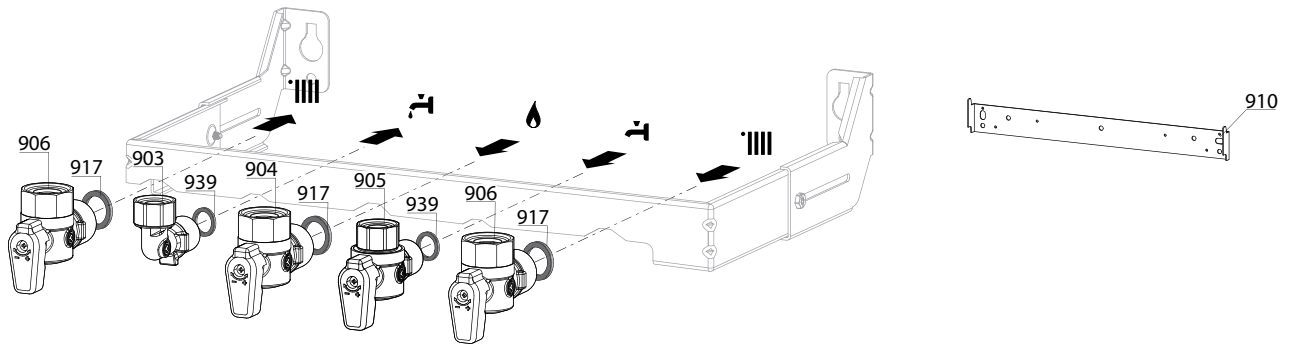
Gas-wall boiler atm. burner



☞	Description	Manf. Pt. N	Type	<div style="text-align: right; border: 1px solid black; padding: 2px;"> 31 </div>																		From	to
				1	2	3	4	5	6	7	8	9	10	11	12	13	14	15	16	17	18		
0600	RETURN GROUP																						
0601	REPLACEMENT HYDRAULIC KIT	65116615		●	●	●															07/16		
	RETURN GROUP	65116540		●	●	●	●													08/16	05/18		
	RETURN GROUP	65116613							●	●	●	●	●	●									
	RETURN GROUP	65117953		●	●	●	●													06/18			
0602	LOW PRESSURE SWITCH	65115792		●	●	●	●	●	●	●	●	●	●	●	●								
0603	TEMPERATURE PROBE + CLIP	990686-01		●	●	●	●	●	●	●	●	●	●	●	●								
0604	PUMP 5M 2V WILO	65104319	WILO	●	●	●	●	●	●	●	●	●	●	●	●								
0605	MOTOR (3-WAY VALVE)	65114936		●	●	●	●	●	●	●	●	●	●	●	●								
0606	SENSOR (REED)	65114921-01		●	●	●	●																
0607	FLOW METER	65114919		●	●	●	●	●	●	●	●	●	●	●	●								
0610	MOTOR + SPRING 3 WAY VALVE KIT	65114924		●	●	●	●	●	●	●	●	●	●	●	●								
0612	PLUG	65114920		●	●	●	●	●	●	●	●	●	●	●	●								
0613	CLIP D10	65104260		●	●	●	●	●	●	●	●	●	●	●	●								
0614	AUTO AIR VENT - WILO	65104703	WILO	●	●	●	●	●	●	●	●	●	●	●	●								
0615	DRAIN COCK	65114922		●	●	●	●	●	●	●	●	●	●	●	●								
0616	WATER FILTER	65114923		●	●	●	●	●	●	●	●	●	●	●	●								
0617	GROMMET	60000807		●	●	●	●	●	●	●	●	●	●	●	●								
0620	FILLING TAP KIT	65116541		●	●	●	●	●	●	●	●	●	●	●	●								
0622	BY-PASS	65114917		●	●	●	●																
0623	NON-RETURN VALVE	65114918		●	●	●	●	●	●	●	●	●	●	●	●								
0650	PIPE (EXPANSION VESSEL)	65115068		●	●	●	●	●	●	●	●	●	●	●	●								
0651	PIPE (C.H. RETURN)	65115069		●						●													
	PIPE (C.H. RETURN)	65115767								●									●				
	PIPE (C.H. RETURN)	65115768					●							●									
	PIPE (C.H. RETURN)	65115769								●													
	PIPE (C.H. RETURN)	65115770		●						●													
0653	BY-PASS PIPE	65116210		●	●	●	●														05/18		
	BY-PASS PIPE	65116210								●	●	●	●	●	●								
0660	CLIP	65114933		●	●	●	●	●	●	●	●	●	●	●	●								
0662	CLIP	61307589		●	●	●	●	●	●	●	●	●	●	●	●								
0663	U-CLIP	65104704		●	●	●	●	●	●	●	●	●	●	●	●								
0664	CLIP	65104322		●	●	●	●	●	●	●	●	●	●	●	●								
0665	CLIP	65114932		●	●	●	●	●	●	●	●	●	●	●	●								
0666	CLIP	60000309		●	●	●	●	●	●	●	●	●	●	●	●								
0667	CLIP	65100680		●	●	●	●	●	●	●	●	●	●	●	●								
0668	CLIP	65114927		●	●	●	●	●	●	●	●	●	●	●	●								
0671	CLIP	65114926		●	●	●	●	●	●	●	●	●	●	●	●								
0672	CLIP	65114931		●	●	●	●	●	●	●	●	●	●	●	●								
0680	GASKET 3/8»	573521		●	●	●	●	●	●	●	●	●	●	●	●								
0681	O-RING 9.9X2.62	65114937		●	●	●	●	●	●	●	●	●	●	●	●								
0682	O-RING 17.04X3.53	65104262		●	●	●	●	●	●	●	●	●	●	●	●								
0683	O-RING 23.47X2.62	65114939		●	●	●	●	●	●	●	●	●	●	●	●								
0684	O-RING 3X35 EPDM 75 SH	65104705		●	●	●	●	●	●	●	●	●	●	●	●								
0687	O-RING 5.7X1.9	61009834-10		●	●	●	●	●	●	●	●	●	●	●	●								
0688	O-RING 21.89X2.62	65104320		●	●	●	●	●	●	●	●	●	●	●	●								
0690	O-RING 8.9X2.7	61009834-14		●	●	●	●	●	●	●	●	●	●	●	●								
0691	O-RING 17.86X2.62	61308091		●	●	●	●	●	●	●	●	●	●	●	●								
0692	O-RING 11.91X2.62	65114940		●	●	●	●	●	●	●	●	●	●	●	●								
0693	O-RING 15.88X2.62	65114941		●	●	●	●	●	●	●	●	●	●	●	●								
0694	O-RING 17.13X2.62	65114938		●	●	●	●	●	●	●	●	●	●	●	●								



900



5000

5001
 Transf. gaz
 Conv. gas > **G31**
 (LPG - GPL)
 Trsf. gas
 Transf. gas

5002
 Transf. gaz
 Conv. gas > **G20**
 (NAT - MET)
 Trsf. gas
 Transf. gas

5020
 Options
 Accessories
 Opzioni
 Accessorio

☉	Description	Manf. Pt. N	Type	CLAS X 24 CF CLAS X 24 FF CLAS X 28 FF CLAS X 32 FF CLAS X SYSTEM 24 CF CLAS X SYSTEM 28 CF CLAS X SYSTEM 24 FF CLAS X SYSTEM 28 FF																		From	to
				1	2	3	4	5	6	7	8	9	10	11	12	13	14	15	16	17	18		
0800	ELECTRICAL BOX																						
0809	GROMMET (REGULATION ACCESS)	998382		●	●	●	●	●	●	●	●	●	●										
0814	CONTROL PANEL COVER (FRONT)	65115784		●	●	●	●	●	●	●	●	●	●										
0815	P.C.B. (MAIN)	65115783-01		●	●	●	●	●	●	●	●	●	●										
0816	P.C.B. (DISPLAY)	65115776		●	●	●	●	●	●	●	●	●	●										
0824	CONTROL PANEL COVER (REAR)	65115785		●	●	●	●	●	●	●	●	●	●										
0825	PRESSURE GAUGE 0-4 BAR D27MM KPL.	65114200		●	●	●	●	●	●	●	●	●	●										
0827	SUPPORT (PRESSURE GAUGE)	65115809		●	●	●	●	●	●	●	●	●	●										
0842	SIDE COVER SUPPORT	65115810						●		●			●										
	SIDE COVER SUPPORT	65115811		●	●	●			●		●	●	●										
0851	FRONT CONTROL PANEL COMPLETE	65115774						●		●			●										
	FRONT CONTROL PANEL COMPLETE	65115775		●	●	●			●		●	●	●										
0856	CABLE CLAMP	65103377		●	●	●	●			●	●	●	●										
0879	BOILER THERMISTOR TEMP. SENSOR	60000454								●	●	●	●										
0880	3-WAY VALVE CABLE	65115790		●	●	●	●																
	3-WAY VALVE CABLE	65115937								●	●	●	●	●									
	CABLE (IONIZATION ELECTRODE)	60001883		●	●	●	●			●	●	●	●										
	DISPLAY WIRING - 5 WIRES BLUES	60000746		●	●	●	●			●	●	●	●										
	EARTH WIRE	65104286		●	●	●	●			●	●	●	●										
	FAN CABLE	60001902			●	●	●					●	●	●									
	FEEDER 240V	60001619		●	●	●	●			●	●	●	●										
	NTC - PRES SWITCH CABLE	65115787			●	●	●					●	●	●									
	NTC - PRES SWITCH CABLE	65115789		●						●	●												
	PUMP 2V CABLE 5M WILO	65104520	WILO	●	●	●	●			●	●	●	●										
0881	CONNECTOR 2P	65111933		●	●	●	●			●	●	●	●										
	CONNECTOR 3P (x5)	65111934-01		●	●	●	●			●	●	●	●										
0900	JIG PLATE & PIPE FITTING																						
0903	HOT WATER CONNECTION	60000891		●	●	●	●			●	●	●	●										
0904	GAS SERVICE TAP	60000898		●	●	●	●			●	●	●	●										
0905	COLD WATER TAP	60000894		●	●	●	●			●	●	●	●										
0906	WATER FLOW & RETURN SERVI. TAP	60000885		●	●	●	●			●	●	●	●										
0910	WALL HOOK	60000625		●	●	●	●			●	●	●	●										
0917	SHEET GASKET D: 24-17-1.5	60061855-19		●	●	●	●			●	●	●	●										
0939	WASHER D: 18.4-12.2-1.5	60061855-14		●	●	●	●			●	●	●	●										

LIST OF THE ABBREVIATIONS

HW	: Hot water.
CW	: Cold water.
C	: Ceramic resistance (normal heating).
Ca	: Ceramic resistance (accelerated heating)
TP	: Immersion heater.
1F	: With fittings.
2F	: Without fittings.
3F	: With fittings and another outlet connection.
AMI	: With mixing valve.
SMI	: Without mixing valve.
PUISS	: Power of th appliance.
PN	: Appliance with normal pression.
LP	: Appliance with low pression.
PV	: Appliance with variable power.
PF	: Appliance with fixed power.

IDENTIFICATION PLATE

SERIAL NUMBER

10 Characters :	04 05 125 011		
		Sequential number	
		Manufacturing day	
		Year of manufacture	
11 Characters :	1 95 065004 - 31		
Month of manufacture :		Technical number of the appliance	
from 1 to 9 → Jan. to Sep.,		Sequential number	
O → Oct., N → Nov.,		Year of manufacture	
D → Dec.			
19 Characters :	08 05 0013199 900640031		
Year of manufacture		Product reference	
Month of manufacture		Sequential number	
20 Characters :	3675007 XX 2 07 070 00315		
Product reference		Sequential number	
Millenium of manufacture		Manufacturing day	
		Year of manufacture	
21 Characters :	3675007 XX 07 070 0000315		
Product reference		Sequential number	
Year of manufacture		Manufacturing day	