

SCD91CMX9

classic

90cm Stainless Steel Concert
Cooker with 5 Burner Ceramic
Hob
Energy Rating: A

EAN13: 8017709217433

Aesthetics

Energy type: Electric

Hob type: Ceramic

Thermo-ventilated main oven

Cleaning system main oven: Vapor Clean

Colour: Stainless steel

Design: Standard Classic Design

Door: Stopsol glass with 2 horizontal strips

Upstand: yes

Command panel finish: Stainless steel

Control knobs and Handle: Classic design

Display: 5 Electronic buttons

Feet: Silver

Storage compartment: Door

Hob Technical Features

5 cooking zones

Front left - single - 1300 W - Ø D147 mm

Rear left - single - 2300 W - Ø D212 mm

Central - single - 2300 W - Ø 170x265 OV mm

Rear right - single - 1300 W - Ø D197 mm

Front right - single - 2300 W - Ø D147 mm

Oven Technical Features

Gross capacity (Lt): 129L

Ever Clean enamel cavity

Usable volume: 115L

5 shelves (metal racks)

Cooking time setting: Start and Stop

Full glass removable inner door

Total no. of door glasses: 3

Tangential Cooling system



Grill element: 1700 W

Electric grill

Large grill: 2900 W

Options

Timer

End of cooking acoustic alarm

Temperature: Min 50 °C - Max 260 °C

Accessories included

1 Scraper, 1 Rotisserie, 2 Oven grid with back stop,
1 20mm deep tray and 1 40mm deep tray

Electrical Connection

Electrical connection rating: 11800 W

Current: 52 Amp

Voltage: 220-240 V

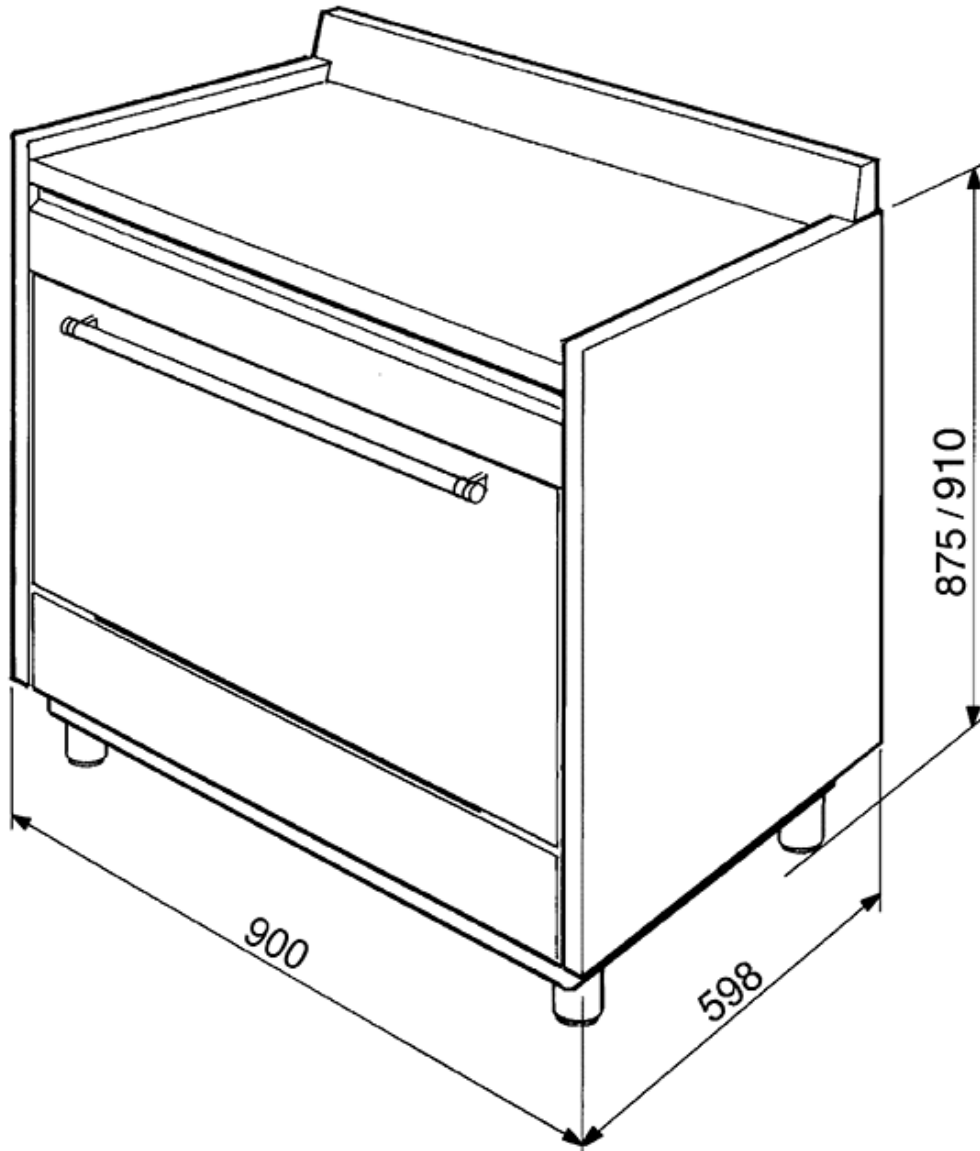
Frequency: 50/60 Hz



SCD91CMX9

classic

full electric
90 cm
stainless steel
hob type: ceramic hob
oven type: electric thermo-ventilated
energy rating A



Smeg S.p.A.
Via Leonardo da Vinci, 4
42016 Guastalla (RE)
Tel. 0522 821 1