



**microlife®**

Прибор для измерения  
артериального давления  
электронный BP A2 Standard



<b>EN</b>	→	1
<b>RU</b>	→	8
<b>BG</b>	→	16

■ Microlife AG  
Esenstrasse 139  
9443 Widnau / Switzerland  
[www.microlife.com](http://www.microlife.com)

CE0044

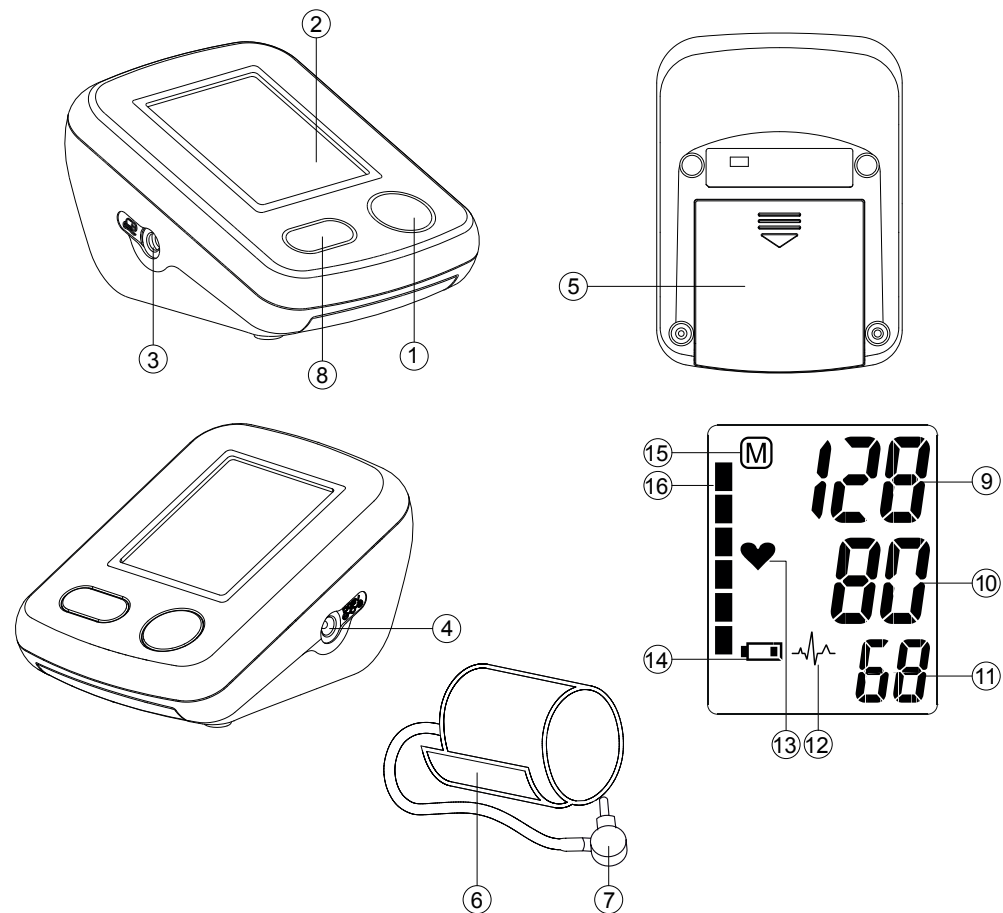


EAC

IB BP A2 Standard BY-V3 2618

[www.microlife.by](http://www.microlife.by)  
[www.microlife.bg](http://www.microlife.bg)  
[www.microlife.com](http://www.microlife.com)

**microlife®**



- ① ON/OFF button
- ② Display
- ③ Cuff Socket
- ④ Mains Adapter Socket
- ⑤ Battery Compartment
- ⑥ Cuff
- ⑦ Cuff Connector
- ⑧ M-button (memory)

## Display

- ⑨ Systolic Value
- ⑩ Diastolic Value
- ⑪ Pulse Rate
- ⑫ Heart Arrhythmia Indicator
- ⑬ Pulse
- ⑭ Battery Display
- ⑮ Stored Value
- ⑯ Traffic Light Indicator



Read the instructions carefully before using this device.



Type BF applied part



Keep dry

## Intended use:

This oscillometric blood pressure monitor is intended for measuring non-invasive blood pressure in people aged 12 years or older.

Dear Customer,

This device was developed in collaboration with physicians and clinical tests carried out prove its measurement accuracy to be of a very high standard.\*

If you have any questions, problems or want to order spare parts please contact your local Microlife-Customer Service. Your dealer or pharmacy will be able to give you the address of the Microlife dealer in your country. Alternatively, visit the internet at [www.microlife.com](http://www.microlife.com) where you will find a wealth of invaluable information on our products.

Stay healthy – Microlife AG!

*\* This device uses the same measuring technology as the award winning «BP 3BTO-A» model tested according to the British Hypertension Society (BHS) protocol.*

## Table of Contents

- 1. Important Facts about Blood Pressure and Self-Measurement**
  - How do I evaluate my blood pressure?
- 2. Using the Device for the First Time**
  - Inserting the batteries
  - Selecting the correct cuff
- 3. Taking a Blood Pressure Measurement**
- 4. Appearance of the Heart Arrhythmia Indicator for early Detection**
- 5. Data Memory**
  - Viewing the stored values
  - Memory full
  - Clearing all values
  - How not to store a reading
- 6. Battery Indicator and Battery change**
  - Low battery
  - Flat battery – replacement
  - Which batteries and which procedure?

- Using rechargeable batteries

## 7. Using a Mains Adapter

## 8. Error Messages

## 9. Safety, Care, Accuracy Test and Disposal

- Safety and protection
- Device care
- Cleaning the cuff
- Accuracy test
- Disposal

## 10. Guarantee

## 11. Technical Specifications

### 1. Important Facts about Blood Pressure and Self-Measurement

- **Blood pressure** is the pressure of the blood flowing in the arteries generated by the pumping of the heart. Two values, the **systolic** (upper) value and the **diastolic** (lower) value, are always measured.
- The device indicates the **pulse rate** (the number of times the heart beats in a minute).
- **Permanently high blood pressure values can damage your health and must be treated by your doctor!**
- Always discuss your values with your doctor and tell him/her if you have noticed anything unusual or feel unsure. **Never rely on single blood pressure readings.**
- Enter your readings in the enclosed **blood pressure diary**. This will give your doctor a quick overview.
- There are many causes of excessively **high blood pressure values**. Your doctor will explain them in more detail and offer treatment where appropriate. Besides medication, relaxation techniques, weight loss and exercise can also lower your blood pressure.
- **Under no circumstances should you alter the dosages of drugs or initiate a treatment without consulting your doctor.**
- Depending on physical exertion and condition, blood pressure is subject to wide fluctuations as the day progresses. **You should therefore take your measurements in the same quiet conditions and when you feel relaxed!** Take at least two measurements per day, one in the morning and one in the evening.
- It is quite normal for two measurements taken in quick succession to produce significantly **different results**.

- **Deviations** between measurements taken by your doctor or in the pharmacy and those taken at home are quite normal, as these situations are completely different.
- **Several measurements** provide a much clearer picture than just one single measurement.
- **Leave a small break** of at least 15 seconds between two measurements.
- If you are **pregnant**, you should monitor your blood pressure regularly as it can change drastically during this time.
- If you suffer from an **irregular heartbeat** (arrhythmia, see «Section 4.»), measurements taken with this device should only be evaluated after consultation with your doctor.
- **The pulse display is not suitable for checking the frequency of heart pacemakers!**

### How do I evaluate my blood pressure?

Table for classifying blood pressure values in adults in accordance with the World Health Organisation (WHO) in 2003. Data in mmHg.

Range	Systolic	Diastolic	Recommendation
blood pressure too low	↓ 100	↓ 60	Consult your doctor
1. blood pressure optimum	100 - 120	60 - 80	Self-check
2. blood pressure normal	120 - 130	80 - 85	Self-check
3. blood pressure slightly high	130 - 140	85 - 90	Consult your doctor
4. blood pressure too high	140 - 160	90 - 100	Seek medical advice
5. blood pressure far too high	160 - 180	100 - 110	Seek medical advice
6. blood pressure dangerously high	180 ↑	110 ↑	Urgently seek medical advice!

The higher value is the one that determines the evaluation. Example: a readout value between **150/85** or **120/98** mmHg indicates «blood pressure too high».

An index of 140/90 is shown adjacent to the traffic light bars (⑩). Your blood pressure is too high if the bars reach or exceed this index.

## 2. Using the Device for the First Time

### Inserting the batteries

After you have unpacked your device, first insert the batteries. The battery compartment ⑤ is on the bottom of the device. Insert the batteries (4 x 1.5 V, size AA), thereby observing the indicated polarity.

### Selecting the correct cuff

Microlife offers different cuff sizes. Select the cuff size to match the circumference of your upper arms (measured by close fitting in the centre of the upper arm).

Cuff size	for circumference of upper arm
S	17 - 22 cm (6.75 - 8.75 inches)
M	22 - 32 cm (8.75 - 12.5 inches)
L	32 - 42 cm (12.5 - 16.5 inches)
M - L	22 - 42 cm (8.75 - 16.5 inches)

This device comes with a M or M - L size cuff.

☞ Only use Microlife cuffs.

- ▶ Contact your local Microlife Service if the enclosed cuff ⑥ does not fit.
- ▶ Connect the cuff to the device by inserting the cuff connector ⑦ into the cuff socket ③ as far as it will go.

## 3. Taking a Blood Pressure Measurement

### Checklist for taking a reliable measurement

1. Avoid activity, eating or smoking immediately before the measurement.
2. Sit down on a back-supported chair and relax for 5 minutes. Keep the feet flat on the floor and do not cross your legs.
3. Always measure on the same arm (normally left).
4. Remove close-fitting garments from the upper arm. To avoid constriction, shirt sleeves should not be rolled up - they do not interfere with the cuff if they are laid flat.
5. Always ensure that the correct cuff size is used (marking on the cuff).
  - Fit the cuff closely, but not too tight.
  - Make sure that the cuff is positioned 2 cm above the elbow.
  - The **artery mark** on the cuff (ca. 3 cm long bar) must lie over the artery which runs down the inner side of the arm.
  - Support your arm so it is relaxed.
  - Ensure that the cuff is at the same height as your heart.
6. Press the ON/OFF button ① to start the measurement.
7. The cuff will now pump up automatically. Relax, do not move and do not tense your arm muscles until the measurement result is displayed. Breathe normally and do not talk.

8. When the correct pressure is reached, the pumping stops and the pressure falls gradually. If the required pressure was not reached, the device will automatically pump some more air into the cuff.
9. During the measurement, the pulse indicator ⑬ flashes in the display.
10. The result, comprising the systolic ⑨ and the diastolic ⑩ blood pressure and the pulse rate ⑪ is displayed. Note also the explanations on further display symbols in this booklet.
11. When the device has finished measuring, remove the cuff.
12. Switch off the device. (The monitor does switch off automatically after approx. 1 min.).

## 4. Appearance of the Heart Arrhythmia Indicator for early Detection

This symbol ⑫ indicates that certain pulse irregularities were detected during the measurement. In this case, the result may deviate from your normal blood pressure – repeat the measurement. In most cases, this is no cause for concern. However, if the symbol appears on a regular basis (e.g. several times a week with measurements taken daily) we advise you to tell your doctor. Please show your doctor the following explanation:

### Information for the doctor on frequent appearance of the Arrhythmia indicator

This device is an oscillometric blood pressure monitor that also analyses pulse frequency during measurement.

The arrhythmia symbol is displayed after the measurement, if pulse irregularities occur during measurement. If the symbol appears more frequently (e.g. several times per week on measurements performed daily) we recommend the patient to seek medical advice.

This device does not replace a cardiac examination, but serves to detect pulse irregularities at an early stage.

## 5. Data Memory

This device automatically stores the last 30 measurement values.

### Viewing the stored values

Press the M-button ⑧ briefly, when the device is switched off. The display first shows «M» ⑮ and «A», which stands for the average of all stored values.

Pressing the M-button again displays the previous value. Pressing the M-button repeatedly enables you to move from one stored value to another.

## Memory full

☞ Pay attention that the maximum memory capacity of 30 memories is not exceeded. **When the 30 memory is full, the oldest value is automatically overwritten with the 31st value.** Values should be evaluated by a doctor before the memory capacity is reached – otherwise data will be lost.

## Clearing all values

If you are sure that you want to permanently remove all stored values, hold down the M-button (the device must have been switched off beforehand) until «CL» appears and then release the button. To permanently clear the memory, press the M-button while «CL» is flashing. Individual values cannot be cleared.

## How not to store a reading

As soon as the reading is displayed press and hold the ON/OFF button ① until «M» ⑮ is flashing. Confirm to delete the reading by pressing the M-button ⑧.

## 6. Battery Indicator and Battery change

### Low battery

When the batteries are approximately ¾ empty the battery symbol ⑭ will flash as soon as the device is switched on (partly filled battery displayed). Although the device will continue to measure reliably, you should obtain replacement batteries.

### Flat battery – replacement

When the batteries are flat, the battery symbol ⑭ will flash as soon as the device is switched on (flat battery displayed). You cannot take any further measurements and must replace the batteries.

1. Open the battery compartment ⑤ on the bottom of the device.
2. Replace the batteries – ensure correct polarity as shown by the symbols in the compartment.

### Which batteries and which procedure?

- ☞ Use 4 new, long-life 1.5 V, size AA alkaline batteries.
- ☞ Do not use batteries beyond their date of expiry.
- ☞ Remove batteries if the device is not going to be used for a prolonged period.

### Using rechargeable batteries

You can also operate this device using rechargeable batteries.

- ☞ Only use «NiMH» type reusable batteries.
- ☞ Batteries must be removed and recharged when the flat battery symbol appears. They should not remain inside the device as they may become damaged (total discharge as a result of low use of the device, even when switched off).

- ☞ Always remove the rechargeable batteries if you do not intend to use the device for a week or more.
- ☞ Batteries cannot be charged in the blood pressure monitor. Recharge batteries in an external charger and observe the information regarding charging, care and durability.

## 7. Using a Mains Adapter

You can operate this device using the Microlife mains adapter (DC 6V, 600 mA).

- ☞ Only use the Microlife mains adapter available as an original accessory appropriate for your supply voltage.
  - ☞ Ensure that neither the mains adapter nor the cable are damaged.
1. Plug the adapter cable into the mains adapter socket ④ in the blood pressure monitor.
  2. Plug the adapter plug into the wall socket.
- When the mains adapter is connected, no battery current is consumed.


## 8. Error Messages

If an error occurs during the measurement, the measurement is interrupted and an error message, e.g. «ERR 3», is displayed.

Error	Description	Potential cause and remedy
«ERR 1»	Signal too weak	The pulse signals on the cuff are too weak. Re-position the cuff and repeat the measurement.*
«ERR 2» ⑱	Error signal	During the measurement, error signals were detected by the cuff, caused for instance by movement or muscle tension. Repeat the measurement, keeping your arm still.
«ERR 3» ⑰	No pressure in the cuff	An adequate pressure cannot be generated in the cuff. A leak may have occurred. Check that the cuff is correctly connected and is not too loose. Replace the batteries if necessary. Repeat the measurement.
«ERR 5»	Abnormal result	The measuring signals are inaccurate and no result can therefore be displayed. Read through the checklist for performing reliable measurements and then repeat the measurement.*

Error	Description	Potential cause and remedy
«HI»	Pulse or cuff pressure too high	The pressure in the cuff is too high (over 299 mmHg) OR the pulse is too high (over 200 beats per minute). Relax for 5 minutes and repeat the measurement.*
«LO»	Pulse too low	The pulse is too low (less than 40 beats per minute). Repeat the measurement.*

\* Please immediately consult your doctor, if this or any other problem occurs repeatedly.

 If you think the results are unusual, please read through the information in «Section 1.» carefully.

## 9. Safety, Care, Accuracy Test and Disposal

### Safety and protection

- Follow instructions for use. This document provides important product operation and safety information regarding this device. Please read this document thoroughly before using the device and keep for future reference.
- This device may only be used for the purposes described in these instructions. The manufacturer cannot be held liable for damage caused by incorrect application.
- This device comprises sensitive components and must be treated with caution. Observe the storage and operating conditions described in the «Technical Specifications» section.
- Protect it from:
  - water and moisture
  - extreme temperatures
  - impact and dropping
  - contamination and dust
  - direct sunlight
  - heat and cold
- The cuffs are sensitive and must be handled with care.
- Do not exchange or use any other kind of cuff or cuff connector for measuring with this device.
- Only pump up the cuff once fitted.
- Do not use this device close to strong electromagnetic fields such as mobile telephones or radio installations. Keep a minimum distance of 3.3 m from such devices when using this device.
- Do not use this device if you think it is damaged or notice anything unusual.

- Never open this device.
- If the device is not going to be used for a prolonged period the batteries should be removed.
- Read the additional safety information provided within the individual sections of this instruction manual.
- The measurement results given by this device is not a diagnosis. It is not replacing the need for the consultation of a physician, especially if not matching the patient's symptoms. Do not rely on the measurement result only, always consider other potentially occurring symptoms and the patient's feedback. Calling a doctor or an ambulance is advised if needed.



Ensure that children do not use this device unsupervised; some parts are small enough to be swallowed. Be aware of the risk of strangulation in case this device is supplied with cables or tubes.

### Device care

Clean the device only with a soft, dry cloth.

### Cleaning the cuff

Carefully remove spots on the cuff with a damp cloth and soapsuds.



**WARNING:** Do not wash the cuff in a washing machine or dishwasher!

### Accuracy test

We recommend this device is tested for accuracy every 2 years or after mechanical impact (e.g. being dropped). Please contact your local Microlife-Service to arrange the test (see foreword).

### Disposal



Batteries and electronic devices must be disposed of in accordance with the locally applicable regulations, not with domestic waste.

## 10. Guarantee

Guarantee period - please see guarantee card.

- Note! The warranty is valid only if there is a guarantee card which is issued properly.
- The warranty covers repair and replacement of manufacturing defects.
- Delivery of goods to the repair center and back is carried out at the buyer's expense.
- This warranty does not apply to:
  - batteries and other accessories, unless the warranty is claimed

- mechanically damaged goods
  - cases of radioactive contamination
  - cases of damage due to non-observance of the operating rules, described in the manual
  - cases of damage caused by intentional or erroneous actions of the consumer
  - cases of damage caused by ingress of foreign liquids and solids, insects, hair, pile, litter, other pollutants from the environment, etc.
  - cases of damage due to battery leak
  - goods with traces of interference or repair by an unauthorized person
  - goods that underwent unauthorized changes in design
  - failures caused by using network adapters, others than recommended by the manufacturer of goods indicated by the Microlife trademark
  - failures caused by self-use of spare parts and components from other manufacturers
  - events of force majeure (accident, fire, flood, malfunction of the electrical network, etc.)
5. This guarantee does not infringe upon the legitimate rights of the consumers that are granted by the current legislation of the Republic of Belarus, neither upon the consumer-seller rights that arise from the contract of sale made between them.

## 11. Technical Specifications

<b>Operating conditions:</b>	10 - 40 °C / 50 - 104 °F 15 - 95 % relative maximum humidity
<b>Storage conditions:</b>	-20 - +55 °C / -4 - +131 °F 15 - 95 % relative maximum humidity
<b>Weight:</b>	375 g (including batteries)
<b>Dimensions:</b>	120 x 87 x 59 mm
<b>Measuring procedure:</b>	oscillometric
<b>Measurement range:</b>	20 - 280 mmHg – blood pressure 40 - 200 beats per minute – pulse
<b>Cuff pressure display range:</b>	0 - 299 mmHg
<b>Resolution:</b>	1 mmHg
<b>Static accuracy:</b>	pressure within $\pm$ 3 mmHg
<b>Pulse accuracy:</b>	$\pm$ 5 % of the readout value

<b>Voltage source:</b>	4 x 1.5 V alkaline batteries; size AA Mains adapter DC 6V, 600 mA (optional)
<b>Battery lifetime:</b>	approx. 920 measurements (using new batteries)
<b>Included:</b>	blood pressure monitor, bag (optional), cuff, adapter (optional), 4 x AA batteries, instruction manual, guarantee card, blood pressure diary, cuff-marker
<b>IP Class:</b>	IP20
<b>Reference to standards:</b>	EN 1060-1 /-3 /-4; IEC 60601-1; IEC 60601-1-2 (EMC); IEC 60601-1-11
<b>Expected service life:</b>	Device: 12 years or 10000 measurements Accessories: 2 years

This device complies with the requirements of the Medical Device Directive 93/42/EEC.

Technical alterations reserved.

Date of production: first 8 digits of the serial number of the device.  
First 4 digits: year / 5th and 6th digit: month / 7th and 8th digit: day of production.





- ① Кнопка ВКЛ/ВЫКЛ
- ② Дисплей
- ③ Гнездо для манжеты
- ④ Гнездо для блока питания
- ⑤ Отсек для батарей
- ⑥ Манжета
- ⑦ Соединитель манжеты
- ⑧ Кнопка М (Память)

## Дисплей

- ⑨ Систолическое давление
- ⑩ Диастолическое давление
- ⑪ Частота пульса
- ⑫ Индикатор аритмии сердца
- ⑬ Пульс (индикатор сердца)
- ⑭ Индикатор разряда батарей
- ⑮ Сохраненное значение
- ⑯ Индикатор уровня давления



Перед использованием прибора внимательно прочтите данное руководство.



Изделие типа BF



Хранить в сухом месте

## Предназначение:

Этот осциллометрический тонометр предназначен для неинвазивного измерения артериального давления у людей в возрасте 12 лет и старше.

Уважаемый покупатель,

Прибор был разработан в сотрудничестве с врачами, а клинические тесты подтвердили высокую точность его измерений.\* При возникновении вопросов, проблем или для заказа запчастей, пожалуйста, обращайтесь в местный сервисный центр Microlife. Ваш дилер или аптека могут предоставить Вам адрес дилера Microlife в Вашей стране. В качестве альтернативы, посетите в Интернете страницу [www.microlife.by](http://www.microlife.by), где Вы сможете найти ряд полезных сведений по нашему изделию. Будьте здоровы – Microlife AG!

*\* В приборе использована та же технология измерений, что и в отмеченной наградой модели «BP 3BTO-A», которая успешно прошла клинические испытания в соответствии с протоколом Британского Гипертонического Общества (BHS).*

## Оглавление

- 1. Важная информация об артериальном давлении и самостоятельное измерение**
  - Как определить артериальное давление?
- 2. Использование прибора в первый раз**
  - Установка батарей
  - Подбор подходящей манжеты
- 3. Выполнение измерений артериального давления**
- 4. Появление индикатора аритмии сердца на ранней стадии**
- 5. Память**
  - Просмотр сохраненных величин
  - Заполнение памяти
  - Удаление всех значений
  - Как отменить сохранение результата
- 6. Индикатор разряда батарей и их замена**
  - Батареи почти разряжены
  - Замена разряженных батарей
  - Элементы питания и процедура замены
  - Использование аккумуляторов
- 7. Использование блока питания**

## 8. Сообщения об ошибках

## 9. Техника безопасности, уход, проверка точности и утилизация

- Техника безопасности и защита
- Уход за прибором
- Очистка манжеты
- Проверка точности
- Утилизация

## 10. Гарантия

## 11. Технические характеристики

### 1. Важная информация об артериальном давлении и самостоятельное измерение

- **Артериальное давление** - это давление крови, подаваемой сердцем в артерии. Всегда измеряются два значения, систолическое (верхнее) давление и диастолическое (нижнее) давление.
- Кроме того, прибор показывает частоту пульса (число ударов сердца за минуту).
- **Постоянно повышенное артериальное давление может нанести ущерб Вашему здоровью, и в этом случае Вам необходимо обратиться к врачу!**
- Всегда сообщайте врачу о Вашем давлении и сообщайте ему/ей, если Вы заметили что-нибудь необычное или чувствуете неуверенность. **Никогда не полагайтесь на результат однократного измерения артериального давления.**
- Вносите результаты измерений в приложенный дневник артериального давления. Это позволит врачу быстро получить общее представление о Вашем артериальном давлении.
- Чрезмерное повышение артериального давления может быть вызвано рядом причин. Врач разъяснит Вам это более подробно и в случае необходимости предложит метод лечения. Кроме того, медикаментозное лечение, методики снятия напряжения, снижение веса и упражнения также способствуют снижению артериального давления.
- **Ни при каких обстоятельствах не меняйте дозировку лекарств и не занимайтесь самолечением без консультации вашего лечащего врача.**
- В зависимости от физических нагрузок и состояния, артериальное давление подвержено значительным колебаниям в течение дня. **Поэтому каждый раз процедура измерений должна проводиться в спокойных условиях и когда Вы не чувствуете напряжения!** Выполняйте по крайней мере два измерения в день, одно утром и одно вечером.

- Совершенно нормально, если при двух измерениях подряд полученные результаты будут отличаться друг от друга.
- **Расхождения** между результатами измерений, полученными врачом или в аптеке, и результатами, полученными в домашних условиях, также являются вполне нормальными, поскольку ситуации, в которых проводятся измерения, совершенно различны.
- **Многократные измерения** позволяют получить более четкую картину, чем просто однократное измерение.
- **Сделайте небольшой перерыв**, по крайней мере, в 15 секунд между двумя измерениями.
- Во время **беременности** следует тщательно следить за артериальным давлением, поскольку на протяжении этого периода оно может существенно меняться!
- Если Вы страдаете **нарушением сердечбиения** (аритмия, см «Раздел 4»), то оценка результатов измерений прибора может быть дана только после консультации с врачом.
- **Показания пульса не пригодны для использования в качестве контроля частоты кардиостимулятора!**

### Как определить артериальное давление?

Таблица классификации артериального давления для взрослых по данным Всемирной организации здравоохранения (WHO) за 2003 год. Данные в мм рт. ст.

Диапазон	Систолическое	Диастолическое	Рекомендация
артериальное давление слишком низкое	▼100	▼60	Обратитесь к врачу
1. оптимальное артериальное давление	100 - 120	60 - 80	Самостоятельный контроль
2. артериальное давление в норме	120 - 130	80 - 85	Самостоятельный контроль
3. артериальное давление слегка повышено	130 - 140	85 - 90	Обратитесь к врачу
4. артериальное давление слишком высокое	140 - 160	90 - 100	Обратитесь за медицинской помощью
5. артериальное давление чрезмерно высокое	160 - 180	100 - 110	Обратитесь за медицинской помощью
6. артериальное давление угрожающе высокое	180▲	110▲	Срочно обратитесь за медицинской помощью!

Давление определяется по обоим значениям. Пример: значения **150/85** и **120/98** мм рт.ст. соответствуют диапазону «артериальное давление слишком высокое».

Например, значение 140/90 отобразилось рядом с полосками индикатора уровня давления «светофор» (16). Ваше давление слишком высокое, если полоски достигли или превысили это значение.

## 2. Использование прибора в первый раз

### Установка батарей

После того, как Вы вынули прибор из упаковки, прежде всего, вставьте батареи. Отсек для батарей (5) расположен на нижней части прибора. Вставьте батареи (4 x тип AA 1.5В), соблюдая полярность.

### Подбор подходящей манжеты

Microlife предлагает манжеты разных размеров. Выберите манжету, размер которой соответствует обхвату Вашего плеча (измеренному при плотном прилегании посередине плеча).

Размер манжеты	для обхвата плеча
S	17 - 22 см (6,75 - 8,75 дюймов)
M	22 - 32 см (8,75 - 12,5 дюймов)
L	32 - 42 см (12,5 - 16,5 дюймов)
M - L	22 - 42 см (8,75 - 16,5 дюймов)

В стандартную комплектацию входит манжета размера M или M - L.

- Пользуйтесь только манжетами Microlife!
- Обратитесь в местный сервисный центр Microlife, если приложенная манжета (6) не подходит.
- Подсоедините манжету к прибору, вставив соединитель манжеты (7) в гнездо манжеты (3) до упора.

## 3. Выполнение измерений артериального давления

### Рекомендации для получения надежных результатов измерений

- Избегайте физической активности, не ешьте и не курите непосредственно перед измерением.
- Присядьте на стул со спинкой на пять минут и расслабьтесь. Поставьте ноги на пол ровно и не скрещивайте их.
- Всегда проводите измерения на одной и той же руке (обычно на левой).
- Снимите облегающую одежду с плеча. Не следует закатывать рукав рубашки, это может привести к сдавливанию, рукава из тонкой ткани не мешают измерению, если прилегают свободно.
- Убедитесь, что используется манжета правильного размера (маркировка на манжете).
  - Плотно наложите манжету, но не слишком туго.
  - Убедитесь, что манжета расположена на 2 см. выше локтя.

- Метка артерии** на манжете (линия длиной около 3 см.) должна находиться над артерией с внутренней стороны руки.
  - Расположите руку так, чтобы она оставалась расслабленной.
  - Убедитесь, что манжета находится на той же высоте, что и сердце.
- Нажмите кнопку ВКЛ/ВЫКЛ (1) для начала измерения.
  - Теперь будет произведена автоматическая накачка манжеты. Расслабьтесь, не двигайтесь и не напрягайте руку до тех пор, пока не отобразится результат измерения. Дышите нормально и не разговаривайте.
  - Если измерение успешно завершено, подкачка прекращается и происходит постепенный сброс давления. Если требуемое давление не достигнуто, прибор автоматически произведет дополнительное нагнетание воздуха в манжету.
  - Во время измерения, индикатор пульса (13) мигает на дисплее.
  - Затем отображается результат, состоящий из систолического (9) и диастолического (10) артериального давления, а также пульса (11). См. также пояснения по другим показаниям дисплея в этом буклете.
  - По окончании измерения снимите и уберите манжету.
  - Отключите прибор. (Прибор автоматически отключится приблизительно через 1 минуту).

## 4. Появление индикатора ритмии сердца на ранней стадии

Этот символ (12) указывает на то, что во время измерения были выявлены нарушения пульса. В этом случае результат может отличаться от Вашего нормального артериального давления – повторите измерение. В большинстве случаев это не является причиной для беспокойства. Однако если такой символ появляется регулярно (например, несколько раз в неделю при ежедневных измерениях), рекомендуется сообщить об этом врачу. Покажите врачу приведенное ниже объяснение:

### Информация для врача при частом появлении на дисплее индикатора ритмии

Прибор представляет собой осциллометрический тонометр, анализирующий также и частоту пульса.

Символ ритмии отображается после измерения, если во время измерения имели место нарушения пульса. Если этот символ появляется достаточно часто (например, несколько раз в неделю при ежедневных измерениях), то пациенту рекомендуется обратиться за медицинской консультацией. Прибор не заменяет кардиологического обследования, однако позволяет выявить нарушения пульса на ранней стадии.

## 5. Память

Это устройство автоматически сохраняет последние 30 измерений.

### Просмотр сохраненных величин

Коротко нажмите кнопку М (8) при выключенном приборе. Сначала на дисплее покажется знак «М» (15) и «А», который обозначает среднее всех сохраненных значений. Повторное нажатие кнопки М отображает предыдущее значение. Многократное нажатие кнопки М позволяет переключаться между сохраненными значениями.

### Заполнение памяти

Обратите внимание, что максимальный объем памяти в 30 измерений не может быть превышен. Когда память заполнена, 31 измерение записывается вместо самого раннего. Значения должны быть отслежены врачом до достижения максимального объема памяти – иначе данные будут потеряны.

### Удаление всех значений

Если Вы уверены в том, что хотите удалить все хранимые значения без возможности восстановления, удерживайте кнопку М в нажатом положении (предварительно прибор необходимо выключить) до появления «СL» и затем отпустите кнопку. Для очистки памяти нажмите кнопку М в момент, когда мигает «СL». Отдельные значения не могут быть удалены.

### Как отменить сохранение результата

Как только отобразится результат, нажмите и удерживайте кнопку ВКЛ/ВыКЛ (1) до момента, как начнет мигать знак «М» (15). Подтвердите удаление результата, нажав кнопку М (8).

## 6. Индикатор разряда батарей и их замена

### Батареи почти разряжены

Если батареи использованы приблизительно на ¾, то при включении прибора символ элементов питания (14) будет мигать (отображается частично заряженная батарея). Несмотря на то, что прибор продолжит надежно проводить измерения, необходимо подготовить новые элементы питания на замену.

### Замена разряженных батарей

Если батареи разряжены, то при включении прибора символ элементов питания (14) будет мигать (отображается разряженная батарея). Дальнейшие измерения не могут производиться до замены батарей.

1. Откройте отсек для батарей (5) в нижней части прибора.

2. Замените батареи, убедившись, что соблюдена полярность в соответствии с символами в отсеке.

### Элементы питания и процедура замены

- Пожалуйста, используйте 4 новые щелочные батареи на 1,5В с длительным сроком службы размера АА.
- Не используйте батареи с истекшим сроком годности.
- Достаньте батареи, если прибор не будет использоваться в течение длительного периода времени.

### Использование аккумуляторов

С прибором можно работать, используя аккумуляторные батареи.

- Пожалуйста, используйте только один тип аккумуляторных батарей «NiMH».
- Батареи необходимо вынуть и перезарядить, если появляется символ элементов питания (разряженная батарея). Они не должны оставаться внутри прибора, поскольку могут выйти из строя (даже в выключенном приборе батареи продолжают разряжаться).
- Всегда вынимайте аккумуляторы, если не собираетесь пользоваться прибором в течение недели или более!
- Аккумуляторы НЕ могут заряжаться в приборе! Повторно зарядите аккумуляторы во внешнем зарядном устройстве и ознакомьтесь с информацией по зарядке, уходу и сроку службы!

## 7. Использование блока питания

Вы можете работать с прибором при помощи блока питания Microlife (Постоянный ток 6В, 600 мА).

- Используйте только блоки питания Microlife, относящиеся к оригинальным принадлежностям и рассчитанные на соответствующее напряжение.
- Убедитесь в том, что ни блок питания, ни кабель не повреждены.


1. Вставьте кабель блока питания в гнездо блока питания (4) в приборе.
2. Вставьте вилку блока питания в розетку. При подключении блока питания ток элементов питания не потребляется.

## 8. Сообщения об ошибках

Если во время измерения происходит ошибка, то процедура измерения прерывается и выдается сообщение об ошибке, например «ERR 3».

Ошибка	Описание	Возможная причина и устранение
«ERR 1»	Сигнал слишком слабый	Импульсные сигналы на манжете слишком слабые. Повторно наложите манжету и повторите измерение.*
«ERR 2»	Ошибочные сигналы	Во время измерения манжета зафиксировала ошибочные сигналы, вызванные, например, движением или сокращением мышц. Повторите измерение, держа руку неподвижно.
«ERR 3»	Отсутствует давление в манжете	Манжета не может быть накачана до необходимого уровня давления. Возможно, имеет место утечка. Проверьте, что манжета подсоединена правильно и не слишком свободна. При необходимости замените батареи. Повторите измерение.
«ERR 5»	Ошибочный результат (артефакт)	Сигналы измерения неточны, из-за чего отображение результатов невозможно. Прочтите рекомендации для получения надежных результатов измерений и затем повторите измерение.*
«HI»	Пulsь или давление манжеты слишком высоки	Давление в манжете слишком высокое (свыше 299 мм рт. ст.) ИЛИ pulsь слишком высокий (свыше 200 ударов в минуту). Отдохните в течение 5 минут и повторите измерение.*
«LO»	Пulsь слишком низкий	Пulsь слишком низкий (менее 40 ударов в минуту). Повторите измерение.*

\* *Пожалуйста, немедленно проконсультируйтесь с врачом, если эта или какая-либо другая проблема возникает повторно.*

 Если Вам кажется, что результаты отличаются от обычных, то, пожалуйста, внимательно прочтите информацию в «Разделе 1.».

## 9. Техника безопасности, уход, проверка точности и утилизация

### Техника безопасности и защита

- Следуйте инструкциям по использованию. В этом документе содержатся важные сведения о работе и безопас

ности этого устройства. Перед использованием устройства, пожалуйста, внимательно прочитайте этот документ и сохраните его для дальнейшего использования.

- Прибор может использоваться только в целях, описанных в данном буклете. Изготовитель не несет ответственности за повреждения, вызванные неправильным использованием.
- В состав прибора входят чувствительные компоненты, требующие осторожного обращения. Ознакомьтесь с условиями хранения и эксплуатации, описанными в разделе «Технические характеристики»!
- Оберегайте прибор от:
  - воды и влаги
  - экстремальных температур
  - ударов и падений
  - загрязнения и пыли
  - прямых солнечных лучей
  - жары и холода
- Манжеты представляют собой чувствительные элементы, требующие бережного обращения.
- Не меняйте другие части манжеты или коннектор манжеты для измерений с этим устройством.
- Производите накачку только наложенной манжеты.
- Не используйте устройство вблизи источников сильных электромагнитных полей, например рядом с мобильными телефонами или радиостанциями. Во время использования устройства минимальное расстояние от источников таких полей должно составлять 3,3 м.
- Не используйте прибор, если вам кажется, что он поврежден, или если вы заметили что-либо необычное.
- Никогда не вскрывайте прибор.
- Если прибор не будет использоваться в течение длительного периода времени, то из него следует вынуть батареи.
- Прочтите дальнейшие указания по безопасности в отдельных разделах этого буклета.
- Результаты измерения, которые предоставляет этот прибор, не являются диагнозом. Они не заменяют необходимость консультации врача, особенно если они не соответствуют симптомам пациента. Не полагайтесь только на результат измерения, всегда рассматривайте другие потенциальные симптомы и жалобы пациента. Обратитесь к врачу или вызовите скорую в случае необходимости.



Позаботьтесь о том, чтобы дети не могли использовать прибор без присмотра, поскольку некоторые его мелкие части могут быть проглочены. При поставке прибора с кабелями и шлангами возможен риск удушения.

### Уход за прибором

Используйте для чистки прибора только сухую, мягкую ткань.

### Очистка манжеты

Осторожно удалите пятна с манжеты с помощью влажной тряпки и мыльной воды.



**ПРЕДУПРЕЖДЕНИЕ:** Не стирать манжету в стиральной или посудомоечной машине!

### Проверка точности

Мы рекомендуем проверять точность прибора каждые 2 года либо после механического воздействия (например, падения). Для проведения теста обратитесь в местный сервисный центр Microlife (см. введение).

### Утилизация



Батареи и электронные приборы следует утилизировать в соответствии с принятыми нормами и не выбрасывать вместе с бытовыми отходами.

## 10. Гарантия

Срок гарантии см. в Гарантийном талоне.

1. Внимание! Гарантия действительна только при наличии надлежаще оформленного гарантийного талона.
2. Гарантия включает выполнение ремонтных работ и замену дефектных частей.
3. Доставка изделий в центр технического обслуживания и ремонта и обратно осуществляется за счет покупателя.
4. Настоящая гарантия не распространяется:
  - На элементы питания и другие комплектующие прибор изделия, на которые гарантия не заявлена
  - при механических повреждениях
  - при наличии радиоактивного заражения
  - при повреждениях из-за несоблюдения потребителем правил эксплуатации
  - при повреждениях, вызванных умышленными или ошибочными действиями потребителя
  - при повреждениях, вызванных попаданием внутрь изделия посторонних жидкостей, предметов, насе-

комых, волос, ворса, сора, иных загрязнений из окружающей среды и т.д.

- при повреждениях, возникших вследствие разгерметизации элементов питания
  - при наличии следов постороннего вмешательства или выполнения ремонта неуполномоченным лицом
  - при внесении изменений в конструкцию прибора
  - при подключении к электросети при помощи сетевых адаптеров, не рекомендованных производителем товаров, обозначенных товарным знаком Microlife
  - при самостоятельном использовании запасных частей и комплектующих других производителей
  - при действиях непреодолимой силы (несчастный случай, пожар, наводнение, неисправность электрической сети и др.)
5. Настоящая гарантия не ущемляет законных прав потребителя, предоставленных ему действующим законодательством РБ, и прав потребителя по отношению к продавцу, возникающих из заключенного между ними договора купли-продажи.

## 11. Технические характеристики

<b>Условия применения:</b>	от 10 до 40 °C максимальная относительная влажность 15 - 95 %
<b>Условия хранения:</b>	от -20 до +55 °C максимальная относительная влажность 15 - 95 %
<b>Масса:</b>	375г (включая батареи)
<b>Размеры:</b>	120 x 87 x 59 мм
<b>Процедура измерения:</b>	осциллометрическая
<b>Диапазон изменений:</b>	20 - 280 мм рт. ст. – артериальное давление 40 - 200 ударов в минуту – пульс
<b>Индикация давления в манжете:</b>	0 - 299 мм рт.ст.
<b>Минимальный шаг индикации:</b>	1 мм рт.ст.
<b>Статическая точность:</b>	давление в пределах $\pm 3$ мм рт. ст.

<b>Точность измерения пульса:</b>	±5 % считанного значения
<b>Источник питания:</b>	4 x 1,5В щелочные батареи размера AA Блок питания постоянного тока 6В, 600 мА (опционально)
<b>Срок службы батареи:</b>	примерно 920 измерений (при использовании новых щелочных батарей)
<b>Включены:</b>	прибор для измерения артериального давления и частоты пульса, сумка (опционально), манжета, адаптер (опционально), элементы питания AA - 4 шт, руководство по пользованию, гарантийный талон, дневник учета измерений артериального давления, маркер манжеты
<b>Класс защиты:</b>	IP20
<b>Соответствие стандартам:</b>	EN 1060-1 /-3 /-4; IEC 60601-1; IEC 60601-1-2 (EMC); IEC 60601-1-11
<b>Ожидаемый срок службы:</b>	Прибор: 12 лет или 10000 измерений Комплектующие: 2 года

Данный прибор соответствует требованиям директивы ЕС о медицинском оборудовании 93/42/ЕЕС.

Право на внесение технических изменений сохраняется.

Дата производства: первые восемь цифр серийного номера прибора. Первые четыре цифры – год производства, пятая и шестая – месяц производства, седьмая и восьмая – день производства.






- ① Бутон Вкл./Изкл. (ON/OFF)
- ② Дисплей
- ③ Гнездо за маншета
- ④ Гнездо за адаптера за електрическата мрежа
- ⑤ Отделение за батериите
- ⑥ Маншет
- ⑦ Конектор за маншета
- ⑧ М-бутон (памет)

## Дисплей

- ⑨ Систолна стойност
- ⑩ Диастолна стойност
- ⑪ Величина на пулса
- ⑫ Индикатор за сърдечна аритмия
- ⑬ Пулс
- ⑭ Индикатор за батериите
- ⑮ Запаметена стойност
- ⑯ Индикатор «светофар»

 Прочетете внимателно инструкциите, преди да ползвате този уред.



Класификация на използваните детайли - тип ВФ



Съхранявайте на сухо

## Предназначение:

Този осцилометричен апарат за кръвно налягане е предназначен за измерване на неинвазивно кръвно налягане при хора на възраст 12 или повече години.

## Уважаеми потребителю,

Този инструмент е разработен в сътрудничество с лекари, а клиничните изпитания доказват високата му точност.\* Ако имате въпроси, проблеми или искате да поръчате резервни части, моля свържете се с местния представител на Microlife-Клиентски услуги. Вашият дистрибутор или аптекар може да ви даде адреса на дистрибутора на Microlife във вашата страна. Друга възможност е да посетите Интернет на [www.microlife.bg](http://www.microlife.bg), където можете да намерите изключително полезна информация за продуктите ни. Бъдете здрави – Microlife AG!

*\* Този апарат използва същата технология за измерване като спечелилия награда модел «BP 3BTO-A», тестван съгласно протокола на Британското дружество на хипертониците (БДХ).*

## Съдържание

1. **Важни факти за кръвното налягане и самостоятелното измерване**
  - Как да определя какво е кръвното ми налягане?
2. **Ако използвате апарата за първи път**
  - Поставяне на батериите
  - Избор на подходящ маншет
3. **Измерване на кръвното налягане**
4. **Поява на индикатора за ранно установяване на сърдечна аритмия**
5. **Памет за данни**
  - Преглед на запаметените стойности
  - Паметта е пълна
  - Изчистване на всички стойности
  - Как да не бъде запаметено показание
6. **Индикатор за батериите и подмяна на батериите**
  - Батериите са почти изтощени
  - Батериите са изтощени – подмяна

- Какви батерии и каква процедура?
- Използване на акумулаторни батерии

## 7. Използване на адаптер за електрическа мрежа

## 8. Съобщения за грешка

## 9. Тест за безопасност, грижа, точност и депониране

- Безопасност и защита
- Грижа за апарата
- Почистване на маншета
- Тест за точност
- Депониране

## 10. Гаранция

## 11. Технически спецификации

### 1. Важни факти за кръвното налягане и самостоятелното измерване

- **Кръвно налягане** наричаме налягането на кръвта, преминаваща през артериите, което се образува от помпената дейност на сърцето. Винаги се измерват две стойности, **сistolна** (висока) стойност и **диastолна** (ниска) стойност.
- Уредът отчита също и **величината на пулса** (броят на ударите на сърцето за една минута).
- **Ако постоянно имате високо кръвно налягане, това може да увреди здравето ви и трябва да се обърнете за помощ към лекаря си!**
- Винаги обсъждайте стойностите с вашия лекар и му съобщавайте, ако забележите нещо необичайно или се почувствате несигурни. **Никога не разчитайте на еднократно измерените стойности.**
- Въведете отчетените стойности в **дневника за кръвно налягане**. Това ще даде ясна представа на лекаря ви.
- Има много причини за изключително **високи стойности на кръвното налягане**. Вашият лекар ще ви ги обясни подробно и ще ви предложи лечение, ако е необходимо. Освен медикаментите, техниките за релаксация, отслабването и физическите упражнения също могат да намалят кръвното налягане.
- **При никакви обстоятелства не трябва да променяте дозировката на лекарствата си или да започвате лечение без консултация с Вашия лекар.**
- В зависимост от физическите усилия и състояние, стойностите на кръвното налягане се променят през целия ден. **Затова трябва да извършвате измерванията в еднакви**

**състояния на спокойствие и когато сте отпуснати!** Правете поне две измервания на ден, едно сутрин и едно вечер.

- Нормално е две измервания, направени скоро едно след друго, да покажат доста **различни резултати**.
- **Отклонения** в стойностите на измерванията, направени от лекаря ви или в аптеката, и тези направени вкъщи са напълно нормални, тъй като условията, при които са направени, са напълно различни.
- **Няколко измервания** дават доста по-ясна представа, отколкото само едно единствено измерване.
- **Направете малка пауза** от поне 15 секунди между две измервания.
- Ако сте **бременна**, трябва редовно да измервате кръвното си налягане, тъй като то може да се променя драстично през този период.
- Ако страдате от **неравномерна сърдечна дейност** (аритмия, вижте «Раздел 4.»), измерванията, направени с този апарат, трябва да се оценяват след консултация с лекаря ви.
- **Индикаторът на пулса не е подходящ за проверка на честотата на пейсмейкър!**

### Как да определя какво е кръвното ми налягане?

Таблица за класифициране на стойностите на кръвното налягане при възрастни в съответствие със Световната здравна организация (WHO) за 2003 г. Данните са в mmHg.

Обхват	Сistolна	Диastолна	Препоръка
кръвното налягане е прекалено ниско	↓100	↓60	Консултирайте се с лекаря си
1. оптимално кръвно налягане	100 - 120	60 - 80	Самостоятелна проверка
2. нормално кръвно налягане	120 - 130	80 - 85	Самостоятелна проверка
3. кръвното налягане е леко завишено	130 - 140	85 - 90	Консултирайте се с лекаря си
4. кръвното налягане е прекалено високо	140 - 160	90 - 100	Потърсете медицинска помощ
5. кръвното налягане е изключително високо	160 - 180	100 - 110	Потърсете медицинска помощ
6. кръвното налягане е опасно високо	180↑	110↑	Незабавно потърсете медицинска помощ!

Най-високата стойност е тази, която определя оценката. Пример: разчетена стойност между 150/85 или 120/98 mmHg показва, че «кръвното налягане е прекалено високо».

Индексът 140/90 се показва в непосредствена близост до светофарната лента (16). Вашето кръвното налягане е твърде високо, ако резултатът достигне или надвиши този индекс.

## 2. Ако използвате аппарата за първи път

### Поставяне на батериите

След като разопаковате вашия уред, първо поставете батериите. Гнездото на батериите (5) се намира от долната страна на устройството. Поставете батериите (4 x 1.5 V, размер AA), като спазвате посочената полярност.

### Избор на подходящ маншет

Microlife предлага маншети с различни размери. Изберете размер на маншета, който да отговаря на обиколката на ръката ви над лакътя (измерва се като се пристегне в центъра на ръката над лакътя).

Размер на маншета	за обиколка на ръката над лакътя
S	17 - 22 см (6.75 - 8.75 инча)
M	22 - 32 см (8.75 - 12.5 инча)
L	32 - 42 см (12.5 - 16.5 инча)
M - L	22 - 42 см (8.75 - 16.5 инча)

Стандартният комплект включва маншет с размер M или M - L.

☞ Използвайте само Microlife маншети!

- ▶ Свържете се с местния представител на Microlife-Услуги, ако приложеният маншет (6) не е подходящ.
- ▶ Свържете маншета към аппарата, като поставите конектора за маншета (7) в гнездото за маншета (3) колкото може по-навътре.

## 3. Измерване на кръвното налягане

### Списък с въпроси, гарантиращ извършване на надеждно измерване

1. Избягвайте движение, хранене или пушене непосредствено преди измерването.
2. Седнете на стол с облегалка и се отпуснете в продължение на 5 минути. Дръжте краката си стъпили на пода и не ги кръстосвайте.
3. Винаги измервайте на една и съща ръка (обикновено лявата).
4. Отстранете плътно прилепващи дрехи от ръката над лакътя. За да избегнете притискане, не навивайте ръкавите си - те не пречат на маншета, ако са гладки.
5. Винаги се уверявайте, че използвате правилния размер маншет (размерът на маншета е отбелязан върху него).
  - Стегнете добре маншета, но не твърде много.

- Уверете се, че маншетът е поставен 2 см над лакътя.
  - **Знакът за артерията**, обозначен на маншета (около 3 см дълга линия) трябва да се постави върху артерията, която минава през вътрешната страна на ръката.
  - Поддържайте ръката си, за да е отпусната.
  - Уверете се, че маншетът е разположен на височината на сърцето ви.
6. Натиснете бутона Вкл./Изкл. (1), за да започнете измерването.
  7. Маншетът се напompва автоматично. Отпуснете се, не мърдайте и не напяржайте мускулите на ръката си, докато не се изведе резултатът от измерването. Дишайте нормално и не говорете.
  8. Когато е достигнато нужното налягане, помпането спира и налягането спада постепенно. Ако не е достигнато необходимото налягане, аппаратът автоматично вкарва допълнително въздух в маншета.
  9. По време на измерването, индикаторът за пулс (13) примигва на дисплея.
  10. Резултатът, състоящ се от систолната (9) и диастолната (10) стойност на кръвното налягане и пулса (11) се извежда на дисплея. Проверете също и обясненията за допълнително извеждане на дисплея в тази брошура.
  11. Когато измерването е приключило свалете маншета.
  12. Изключете аппарата. (Апаратът се изключва автоматично след припл. 1 мин).

## 4. Поява на индикатора за ранно установяване на сърдечна аритмия

Този символ (12) показва, че е доловена известна неравномерност в пулса по време на измерването. В този случай резултатът може да се отклони от нормалното кръвно налягане – повторете измерването. В повечето случаи това не е причина за притеснение. Въпреки това, ако символът се появява редовно (напр. няколко пъти в седмицата при ежедневни измерване), ви съветваме да се обърнете към лекаря си. Моля покажете на лекаря си следното обяснение:

## Информация за лекаря относно честата поява на индикатора за аритмия

Този апарат е осцилометричен апарат за измерване на кръвно налягане, който анализира също и честотата на пулса по време на измерванията.

Символът за аритмия се появява след измерването, ако в процеса на измерване се доловят неравномерности в пулса.

Ако символът се появява по-често (напр. няколко пъти седмично при ежедневни измервания), препоръчваме да се потърси медицинско съдействие.

Уредът не замества кардиологично изследване, но служи за установяване на неравномерности в начална фаза.

## 5. Памет за данни

Това устройство автоматично запаметява последните 30 измерени стойности.

### Преглед на запаметените стойности

Натиснете М-бутонa (8) за кратко, когато апаратът е изключен.

На дисплея първо се извежда «М» (15) и «А», която означава средната стойност на всички съхранени стойности.

Ако натиснете М-бутонa отново, ще се появи предишната стойност. Неколкократното натискане на М-бутонa ви позволява да преминавате от една запаметена стойност към друга.

### Паметта е пълна

Обърнете внимание, че максималният капацитет на паметта от 30 не е надвишена. **Когато 30-те позиции за памет са пълни, 31-вият резултат автоматично се записва върху най-стария резултат.** Стойностите трябва да бъдат оценени от лекар преди да бъде достигнат капацитетa на паметта – в противен случай данните ще бъдат загубени.

### Изчистване на всички стойности

Ако сте сигурни, че искате да изтриете завинаги всички запаметени стойности, задръжте натиснат М-бутонa (апаратът трябва да е изключен преди това), докато се появи «CL» и след това пуснете бутонa. За да изтриете завинаги паметта, натиснете М-бутонa, докато «CL» мига. Единични стойности не могат да бъдат изтрити.

### Как да не бъде запаметено показание

След като показанието се визуализира натиснете и задръжте бутон Вкл./Изкл. (1) докато «М» (15) примигва. Потвърдете изтритването на показанието чрез натискане на М-бутон (8).

## 6. Индикатор за батериите и подмяна на батериите

### Батериите са почти изтощени

Когато батериите са приблизително  $\frac{3}{4}$  използвани, символът на батерията (14) ще започне да мига веднага след включването на апарата (на дисплея се появява частично пълна батерия). Въпреки че апаратът ще продължи да извършва надеждни измервания, трябва да подмените батериите.

### Батериите са изтощени – подмяна

Когато батериите са изтощени, символът батерия (14) започва да мига веднага след включване на апарата (на дисплея се показва празна батерия). Не можете да извършвате повече измервания, трябва да подмените батериите.

1. Отворете отделението за батериите (5) от долната страна на устройството.
2. Подменете батериите – уверете се, че е спазена полярността, както е показано на символите в отделението.

### Какви батерии и каква процедура?

- Използвайте 4 нови, дълготрайни, 1.5 V AA алкални батерии.
- Не използвайте батерии с изтекъл срок на годност.
- Отстранете батериите, ако апаратът няма да се използва за по-дълъг период от време.

### Използване на акумулаторни батерии

Можете да използвате апарата и с акумулаторни батерии.

- Моля, използвайте само тип «NiMH» рециклируеми батерии!
- Батериите трябва да се отстраняват и зареждат, ако се появи символът батерия (празна батерия)! Не бива да остават вътре в апарата, тъй като може да се повредят (пълно разреждане в резултат на ограничена употреба на апарата, дори и когато е изключен).
- Винаги отстранявайте акумулаторните батерии, ако не смятате да използвате апарата за седмица или повече!
- Батериите НЕ могат да се зареждат вътре в апарата за кръвно налягане! Зареждайте тези батерии във външно

зарядно устройство и прегледайте информацията относно зареждане, грижа и дълготрайност!

## 7. Използване на адаптер за електрическа мрежа

Можете да работите с апарата, като използвате Microlife адаптера за електрическата мрежа (DC 6V, 600 mA).

- ✎ Използвайте само Microlife адаптера за електрическата мрежа, който е предоставен като оригинален аксесоар, подходящ за напрежението на доставяното електричество.
- ✎ Уверете се, че нито адаптерът за електрическа мрежа, нито кабелът са повредени.

1. Включете кабела на адаптера в гнездото за адаптер за електрическа мрежа ④ в апарата за кръвно налягане.
2. Включете щепсела на адаптера в контакта в стената. Когато адаптерът за електрическа мрежа е включен, не се консумира ток от батериите.

## 8. Съобщения за грешка

Ако по време на измерването възникне грешка, измерването се прекъсва и съобщение за грешка, напр. «ERR 3», се появява на дисплея.

Грешка	Описание	Вероятна причина и начин за отстраняване
«ERR 1»	Твърде слаб сигнал	Пулсовите сигнали в маншета са много слаби. Позиционирайте маншета отново и повторете измерването.*
«ERR 2»	Сигнал за грешка	По време на измерването, сигнали за грешка се долавят от маншета, причинени например от движение или от напрежение в мускулите. Повторете измерването, като държите ръката си неподвижна.
«ERR 3»	Няма налягане в маншета	Не може да се образува необходимото налягане в маншета. Може да се е появил процеп. Проверете дали маншетът е свързан правилно и дали не е твърде хлабав. Сменете батериите, ако е необходимо. Повторете измерването.

Грешка	Описание	Вероятна причина и начин за отстраняване
«ERR 5»	Необичаен резултат	Измервателните сигнали са неточни и на дисплея няма изведен резултат. Прочетете списъка с напомнящи въпроси за извършване на надеждни измервания и след това повторете измерването.*
«HI»	Пулсът или налягането в маншета са твърде високи	Налягането в маншета е твърде високо (над 299 mmHg) ИЛИ пулсът е твърде висок (над 200 удара в минута). Отпуснете се за 5 минути и повторете измерването.*
«LO»	Твърде бавен пулс	Пулсът е много бавен (по-малко от 40 удара в минута). Повторете измерването.*

\* Моля, незабавно се консултирайте с Вашия лекар, ако този или друг проблем възникне многократно.

- ✎ Ако смятате, че резултатите са необичайни, моля прочетете внимателно информацията в «Раздел 1.».

## 9. Тест за безопасност, грижа, точност и депониране

### Безопасност и защита

- Този прибор може да се ползва единствено за целта, описана в тази книжка. Производителят не може да носи отговорност за повреди, причинени от неправилна употреба.
- В този прибор има чувствителни детайли и с него трябва да се бори внимателно. Спазвайте условията за съхранение и експлоатация, описани в раздел «Технически спецификации»!
- Пазете го от:
  - вода и влага
  - екстремни температури
  - удар и изпускане
  - замърсяване и прах
  - пряка слънчева светлина
  - топлина и студ
- Маншетите са чувствителни и трябва да се бори внимателно с тях.
- Не подменяйте или използвайте друг вид маншет или конектор, за да извършвате измервания с това устройство.
- Помпайте маншета само когато е поставен добре на ръката.

- Не използвайте устройството в близост до силни електромагнитни полета, като мобилни телефони или радиоинсталации. Дръжте на минимално разстояние от 3.3 м от тези устройства, когато използвате това устройство.
- Не ползвайте прибора, ако мислите, че е повреден или забележите нещо нередно.
- Никога не отваряйте прибора.
- Ако приборът няма да се ползва за продължителен период от време, батериите трябва да се изваждат.
- Прочетете допълнителните инструкции за безопасност в индивидуалните раздели от брошурата.
- Резултатът от измерването, даден от това устройство не е диагноза. Той не заменя необходимостта от консултация с лекар, особено ако не съответства на симптомите на пациента. Не разчитайте само на резултата от измерването, винаги вземайте предвид и други потенциално проявяващи се симптоми, както и обратната връзка от пациента. Ако е необходимо, се препоръчва повикването на лекар или линейка.



Не позволявайте на деца да използват прибора без родителски контрол; някои части са достатъчно малки, за да бъдат погълнати. Бъдете наясно с риска от задушаване в случай, че това устройство е снабдено с кабели или тръби.

### Грижа за апарата

Почиствайте апарата само с мека суха кърпа.

### Почистване на маншета

Внимателно отстранявайте петната по маншета с влажна кърпа и сапунена пяна.



**Внимание:** Не почиствайте маншета в пералня или съдомиялна машина.

### Тест за точност

Препоръчително е апаратът да се тества за точност на всеки 2 години или след механичен удар (например след изпускане). Моля, свържете се с местния представител на Microlife-Услуги, за да организирате извършването на теста (вижте предговора).

### Депониране



Батериите и електронните уреди трябва да се изхвърлят съгласно местните приложими разпоредби, а не с битовите отпадъци.

## 10. Гаранция

Срок на гаранцията виж в Гаранционната карта.

1. Внимание! Гаранцията е валидна само при правилно попълнена Гаранционна карта.
2. Гаранцията включва извършване на ремонтни работи и подмяна на дефектни части.
3. Доставка на продуктите до сервизен център за поддръжка и ремонт и обратно се извършва за сметка на купувача, ако рекламацията не е основателна.
4. Тази гаранция не е валидна:
  - за батериите и другите компоненти на устройството, за които не се иска гаранция
  - при механични повреди
  - ако има радиоактивно замърсяване
  - в случай на повреда поради неспазване на правилата за експлоатация от страна на потребителя
  - в случай на щети, причинени от умишлени или погрешни действия на потребителя
  - в случай на щети, причинени от попадане в продукта на външни течности, предмети, насекоми, косми, мъх, боклук и други замърсители от околната среда и др.
  - в случай на повреда, причинена от протичането на батерии
  - при наличие на следи от външно вмешателство или ремонт от неутвърдено лице
  - когато правите промени в конструкцията на устройството
  - когато свързвате устройството с електрическата мрежата с мрежови адаптери, които не са препоръчани от производителя и не са обозначени с търговската марка Microlife
  - при самостоятелно използване на резервни части и компоненти от други производители
  - при действия на непреодолима сила (злополука, пожар, наводнение, неизправност на електрическата мрежа и др.)

## 11. Технически спецификации

<b>Работни условия:</b>	10 - 40 °C / 50 - 104 °F 15 - 95 % относителна максимална влажност
<b>Условия на съхранение:</b>	-20 - +55 °C / -4 - +131 °F 15 - 95 % относителна максимална влажност
<b>Тегло:</b>	375 g (включително батерии)
<b>Габарити:</b>	120 x 87 x 59 mm
<b>Процедура на измерване:</b>	осцилометрична
<b>Обхват на измерване:</b>	20 - 280 mmHg – кръвно налягане 40 - 200 удара в минута – пулс
<b>Обхват на налягането на маншета, извеждан на дисплея:</b>	0 - 299 mmHg
<b>Разделителна способност:</b>	1 mmHg
<b>Статична точност:</b>	налягане в рамките на $\pm 3$ mmHg
<b>Точност на пулса:</b>	$\pm 5$ % от отчетената стойност
<b>Източник на напрежение:</b>	4 x 1.5 V алкални батерии; големина AA Адаптер за мрежа DC 6V, 600 mA (опция)
<b>Живот на батериите:</b>	Приблизително 920 измервания (при използване на нови батерии)
<b>Включени:</b>	Апарат за кръвно налягане, чантичка (опция), маншет, адаптер (опция), 4 бр. AA батерии, ръководство за употреба, гаранционна карта, дневник за кръвно налягане, маркер за маншет
<b>IP клас на защита:</b>	IP20
<b>Препратка към стандарти:</b>	EN 1060-1 /-3 /-4; IEC 60601-1; IEC 60601-1-2 (EMC); IEC 60601-1-11
<b>Очакван срок на експлоатация:</b>	Устройство: 12 години или 10000 измервания Аксесоари: 2 години

Това изделие отговаря на изискванията на Директивата за медицински изделия 93/42/ЕЕС.

Производителят си запазва правото да внася технически промени.

Дата на производство: първите 8 цифри от серийния номер на устройството. Първи 4 цифри: година / 5-та и 6-та цифра: месец / 7-ма и 8-ма цифра: ден на производство.



