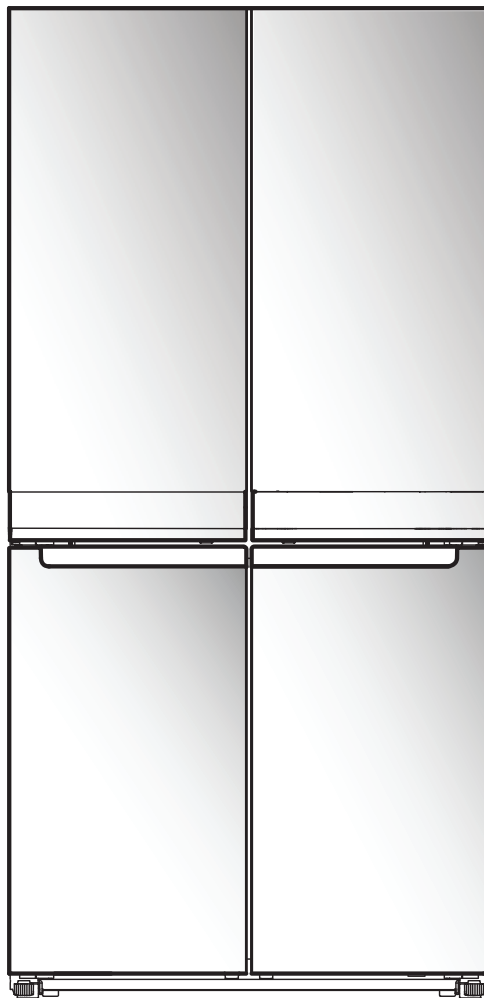


Whirlpool

WQ9 E1L, WQ9 B1L



W11266471A



FRENCH DOOR BOTTOM MOUNT REFRIGERATOR USE AND CARE GUIDE

English	REFRIGERATOR USER INSTRUCTIONS	3
Italiano	ISTRUZIONI PER L'USO DEL FRIGORIFERO	27
Français canadien	INSTRUCTIONS D'UTILISATION DU RÉFRIGÉRATEUR	51
Русский	РУКОВОДСТВО ПОЛЬЗОВАТЕЛЯ ХОЛОДИЛЬНИКА	75
Polski	INSTRUKCJA OBSŁUGI CHŁODZIARKI	104
Română	INSTRUCȚIUNI DE UTILIZARE A FRIGIDERULUI.....	128
Türkçe	BUZDOLABI KULLANIM TALİMATLARI.....	152
Nederlands	GEBRUIKSAANWIJZING KOEL-VRIESCOMBINATIE	176
Svenska	BRUKSANVISNING FÖR KYLSKÅP	200
Dansk	BRUGERVEJLEDNING TIL KØLE-/FRYSESKABET	224
Norsk	BRUKSANVISNING FOR KJØLESKAP	248
Português	INSTRUÇÕES DE UTILIZAÇÃO DO FRIGORÍFICO	272

Table of Contents

REFRIGERATOR SAFETY	4
Proper Disposal of Your Old Refrigerator	7
PARTS AND FEATURES	8
INSTALLATION INSTRUCTIONS	9
Getting Started.....	9
Unpack the Refrigerator	9
Location Requirements.....	10
Electrical Requirements	10
Remove and Replace Refrigerator Doors	12
Remove and Replace Freezer/Flexi Freeze Door.....	14
Refrigerator Levelling	15
Using the Controls	16
Lighting the Refrigerator	17
REFRIGERATOR USE	18
Opening and Closing Doors	18
Food Storage	18
SHELVES, BINS AND DRAWERS	19
Freezer Storage Compartments	20
Audio Reference	20
Accessories.....	20
Assistance or Service	20
REFRIGERATOR CARE	21
Cleaning	21
Lights.....	22
Holiday and Moving Care	22
TROUBLESHOOTING	23

REFRIGERATOR SAFETY

Your safety and the safety of others are very important.

We have provided many important safety messages in this manual and on your appliance. Always read and obey all safety messages.



This is the safety alert symbol.

This symbol alerts you to potential hazards that can kill or hurt you and others.

All safety messages will follow the safety alert symbol and either the word "DANGER" or "WARNING."

These words mean:

 **DANGER**

You can be killed or seriously injured if you don't immediately follow instructions.

 **WARNING**

You can be killed or seriously injured if you don't follow instructions.

All safety messages will tell you what the potential hazard is, tell you how to reduce the chance of injury, and tell you what can happen if the instructions are not followed.

SAFETY INSTRUCTIONS

Before using the appliance, read these safety instructions. Keep them nearby for future reference. These instructions and the appliance itself provide important safety warnings, to be observed at all times. The manufacturer declines any liability for failure to observe these safety instructions, for inappropriate use of the appliance or incorrect setting of controls.

⚠ Very young children (0-3 years) should be kept away from the appliance. Young children (3-8 years) should be kept away from the appliance unless continuously supervised. Children from 8 years old and above and persons with reduced physical, sensory or mental capabilities or lack of experience and knowledge can use this appliance only if they are supervised or have been given instructions on safe use and understand the hazards involved. Children must not play with the appliance. Cleaning and user maintenance must not be carried out by children without supervision.

PERMITTED USE

⚠ CAUTION: The appliance is not intended to be operated by means of an external switching device, such as a timer, or separate remote controlled system.

⚠ This appliance is intended to be used in household and similar applications such as: staff kitchen areas in shops, offices and other working environments; farm houses; by clients in hotels, motels, bed & breakfast and other residential environments.

⚠ This appliance is not for professional use. Do not use the appliance outdoors.

⚠ The appliance is designed for operation in places where the ambient temperature comes within the following ranges, according to the climatic class given on the rating plate. The appliance may not work properly if it is left for a long time at a temperature outside the specified range.

Climatic Class Amb. T. (°C)

SN: From 10 to 32 °C; N: From 16 to 32 °C

ST: From 16 to 38 °C; T: From 16 to 43 °C

⚠ This appliance does not contain CFCs. The refrigerant circuit contains R600a (HC). Appliances with Isobutane (R600a): isobutane is a natural gas without environmental impact, but is flammable. Therefore, make sure the refrigerant circuit pipes are not damaged, especially when emptying the refrigerant circuit.

⚠ WARNING: Do not damage the appliance refrigerant circuit pipes.

⚠ WARNING: Keep ventilation openings, in the appliance enclosure or in the built-in structure, clear of obstruction.

IMPORTANT TO BE READ AND OBSERVED

⚠ WARNING: Do not use mechanical, electric or chemical means other than those recommended by the Manufacturer to speed up the defrost process.

⚠ WARNING: Do not use or place electrical devices inside the appliance compartments if they are not of the type expressly authorised by the Manufacturer.

⚠ WARNING: Ice makers and/or water dispensers not directly connected to the water supply must be filled with potable water only.

⚠ WARNING: Automatic ice-makers and/or water dispensers must be connected to a water supply that delivers potable water only, with mains water pressure between 0.17 and 0.81 MPa (1.7 and 8.1 bar).

⚠ Do not store explosive substances such as aerosol cans with a flammable propellant in this appliance.

⚠ Do not swallow the contents (non-toxic) of the ice packs (provided with some models). Do not eat ice cubes or ice lollies immediately after taking them out of the freezer since they may cause cold burns.

⚠ For products designed to use an air filter inside an accessible fan cover, the filter must always be in position when the refrigerator is in function.

⚠ Do not store glass containers with liquids in the freezer compartment since they may break. Do not obstruct the fan (if included) with food items. After placing the food check that the door of the compartments closes properly, especially the freezer door.

⚠ Damaged gaskets must be replaced as soon as possible.

⚠ Use the refrigerator compartment only for storing fresh food and the freezer compartment only for storing frozen food, freezing fresh food and making ice cubes.

⚠ Avoid storing unwrapped food in direct contact with internal surfaces of the refrigerator or freezer compartments. Appliances could have special compartments (Fresh Food Compartment, Zero Degree Box, etc.). Unless specified in the specific booklet of product, they can be removed, maintaining equivalent performances.

INSTALLATION

⚠ The appliance must be handled and installed by two or more persons - risk of injury. Use protective gloves to unpack and install - risk of cuts.

⚠ Installation, including water supply (if any) and electrical connections, and repairs must be carried out by a qualified technician. Do not repair or replace any part of the appliance unless specifically stated in the user manual. Keep children away from the installation site.

After unpacking the appliance, make sure that it has not been damaged during transport. In the event of problems, contact the dealer or your nearest After-sales Service. Once installed, packaging waste (plastic, styrofoam parts etc.) must be stored out of reach of children - risk of suffocation. The appliance must be disconnected from the power supply before any installation operation - risk of electric shock. During installation, make sure the appliance does not damage the power cable - risk of fire or electric shock. Only activate the appliance when the installation has been completed.

⚠ Be careful not to damage the floors (e.g. parquet) when moving the appliance. Install the appliance on a floor or support strong enough to take its weight and in a place suitable for its size and use. Make sure the appliance is not near a heat source and that the four feet are stable and resting on the floor, adjusting them as required, and check that the appliance is perfectly level using a spirit level. Wait at least two hours before switching the appliance on, to ensure that the refrigerant circuit is fully efficient.

⚠ To guarantee adequate ventilation, leave a space on both sides and above the appliance. The distance between the rear of the appliance and the wall behind the appliance should be 50mm, to avoid access to hot surfaces. A reduction of this space will increase the Energy consumption of product.

⚠ **WARNING:** To avoid a hazard due to instability, positioning or fixing of the appliance must be done in accordance with the manufacturer instructions. It is forbidden to place the refrigerator in such way that the metal hose of gas stove, metal gas or water pipes, or electrical wires are in contact with the refrigerator back wall (condenser coil).

⚠ If it is necessary to replace the doors, please contact the Technical Assistance Center.

ELECTRICAL WARNINGS

⚠ It must be possible to disconnect the appliance from the power supply by unplugging it if plug is accessible, or by a multi-pole switch installed upstream of the socket in accordance with the wiring rules and the appliance must be earthed in conformity with national electrical safety standards.

⚠ Do not use extension leads, multiple sockets or adapters. The electrical components must not be accessible to the user after installation. Do not use the appliance when you are wet or barefoot. Do not operate this appliance if it has a damaged power cable or plug, if it is not working properly, or if it has been damaged or dropped.

⚠ If the supply cord is damaged, it must be replaced with an identical one by the manufacturer, its service agent or similarly qualified persons in order to avoid a hazard - risk of electric shock.

⚠ **WARNING:** When positioning the appliance, ensure the supply cord is not trapped or damaged.

⚠ **WARNING:** Do not locate multiple portable socket-outlets or portable power supplies at the rear of the appliance.

CLEANING AND MAINTENANCE

⚠ **WARNING:** Ensure that the appliance is switched off and disconnected from the power supply before performing any maintenance operation; never use steam cleaning equipment - risk of electric shock.

⚠ Do not use abrasive or harsh cleaners such as window sprays, scouring cleansers, flammable fluids, cleaning waxes, concentrated detergents, bleaches or cleansers containing petroleum products on plastic parts, interior and door liners or gaskets. Do not use paper towels, scouring pads, or other harsh cleaning tools.

DISPOSAL OF PACKAGING MATERIALS

The packaging material is 100% recyclable and is marked with the recycle symbol ♻.

The various parts of the packaging must therefore be disposed of responsibly and in full compliance with local authority regulations governing waste disposal.

DISPOSAL OF HOUSEHOLD APPLIANCES

This appliance is manufactured with recyclable or reusable materials. Dispose of it in accordance with local waste disposal regulations. For further information on the treatment, recovery and recycling of household electrical appliances, contact your local authority, the collection service for household waste or the store where you purchased the appliance. This appliance is marked in compliance with European Directive 2012/19/EU, Waste Electrical and Electronic Equipment (WEEE). By ensuring this product is disposed of correctly, you will help prevent negative consequences for the environment and human health.

The symbol ⚡ on the product or on the accompanying documentation indicates that it should not be treated as domestic waste but must be taken to an appropriate collection center for the recycling of electrical and electronic equipment.

ENERGY SAVING TIPS

Install the appliance in a dry, well ventilated room far away from any heat source (eg. radiator, cooker, etc.) and in a place not exposed directly to the sun. If required, use an insulating plate.

To guarantee adequate ventilation follow installation instructions. Insufficient ventilation at the back of the product increases energy consumption and decreases cooling efficiency.

Frequent door opening might cause an increase in Energy Consumption. The internal temperature of the appliance and the Energy Consumption may be affected also by the ambient temperature, as well as location of the appliance. Temperature setting should take into consideration these factors.

Reduce door opening to a minimum.

When thawing frozen food, place in the refrigerator. The low temperature of the frozen products cools the food in the refrigerator. Allow warm food and drinks to cool down before placing in the appliance.

Positioning of the shelves in the refrigerator has no impact on the efficient usage of energy. Food should be placed on the shelves in such way to ensure proper air circulation (food should not touch each other and distance between food and rear wall should be kept).

You can increase storage capacity of frozen food by removing baskets and, if present, Stop Frost shelf.

Do not worry about noises coming from the compressor which are described as normal noises in this product's Quick Guide.



Proper Disposal of Your Old Refrigerator

⚠ WARNING

Suffocation Hazard

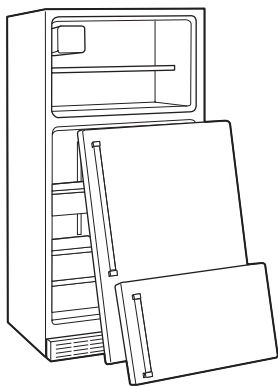
Remove doors from your old refrigerator.

Failure to do so can result in death or brain damage.

IMPORTANT: Child entrapment and suffocation are not problems of the past. Scrapped or abandoned refrigerators are still dangerous—even if they will sit for “just a few days.” If you are getting rid of your old refrigerator, please follow these instructions to help avoid accidents.

Before You Throw Away Your Old Refrigerator or Freezer:

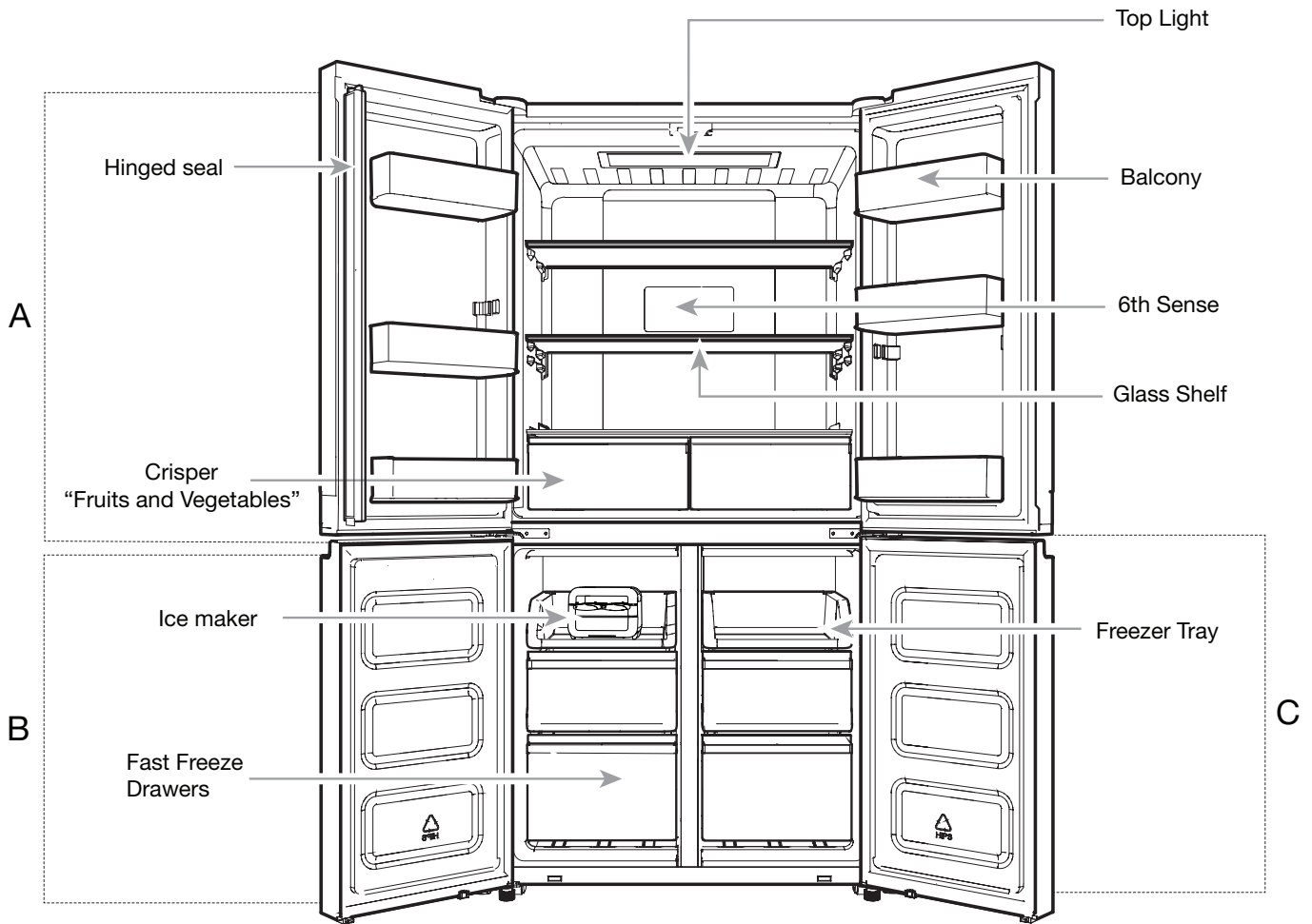
- Take off the doors.
- Leave the shelves in place so that children cannot easily climb inside.



Important information to know about disposal of refrigerants:

Dispose of refrigerator in accordance with Federal and Local regulations. Refrigerants must be evacuated by a licensed, refrigerant technician in accordance with established procedures.

PARTS AND FEATURES



- A . Refrigerator
- B . Freezer
- C . Flexi Freeze (only with WQ9 B1L, 6WM24NIHAS and WQ70900SXX)

INSTALLATION INSTRUCTIONS

Getting Started INSTALLATION CHECKLIST

✓ Electrical Power

⚠ WARNING



Electrical Shock Hazard

- Plug into a grounded (earthed) outlet.**
- Do not remove ground prong.**
- Do not use an adapter.**
- Do not use an extension cord.**
- Failure to follow these instructions can result in death, fire, or electrical shock.**

- Plug refrigerator into a earthed socket.
- ### ✓ Doors
- If doors need to be removed during installation, see the “Remove and Replace Refrigerator Doors” and “Remove and Replace Freezer Door Fronts” sections.
 - Doors seal completely.
 - Refrigerator is level. Adjust leveling feet so they are snug against the floor.
 - Doors are even across the top. (Use door alignment feature if necessary).
- ### ✓ Final Checks
- Remove all shipping material.
 - Set temperature controls to the recommended setting.
 - Save instructions and other literature.
 - In order to receive a more complete assistance, please register your product on www.whirlpool.eu/register.

Unpack the Refrigerator

⚠ WARNING

Excessive Weight Hazard

- Use two or more people to move and install refrigerator.**
- Failure to do so can result in back or other injury.**

Refrigerator Delivery

A minimum door opening of 838 mm (33") is required. If door opening is 914 mm (36") or less, then removal of doors, drawer and hinges is required.

Cart the refrigerator from the side for all door openings.

When Moving Your Refrigerator:

Your refrigerator is heavy. When moving the refrigerator for cleaning or service, be sure to cover the floor with cardboard or hardboard to avoid floor damage. Always pull the refrigerator straight out when moving it. Do not wiggle or “walk” the refrigerator when trying to move it, as floor damage could occur.

Remove the Packaging

- Remove tape and glue residues from surfaces before turning on the refrigerator. Rub a small amount of liquid dish detergent over the adhesive with your fingers. Wipe with warm water and dry.
- Do not use sharp instruments, rubbing alcohol, flammable fluids, or abrasive cleaners to remove tape or glue. These products can damage the surface of your refrigerator.
- Dispose of/recycle all packaging materials.

Clean Before Using

After you remove all of the packaging materials, clean inside of your refrigerator before using it. See cleaning instructions in the “Refrigerator Care” section.

Important information to know about glass shelves and covers:

Do not clean glass shelves or covers with warm water when they are cold. Shelves and covers may break if exposed to sudden temperature changes or impact, such as bumping. Tempered glass is designed to shatter into many small, pebble-size pieces. This is normal. Glass shelves and covers are heavy. Use both hands when removing them to avoid dropping.

Location Requirements

⚠ WARNING



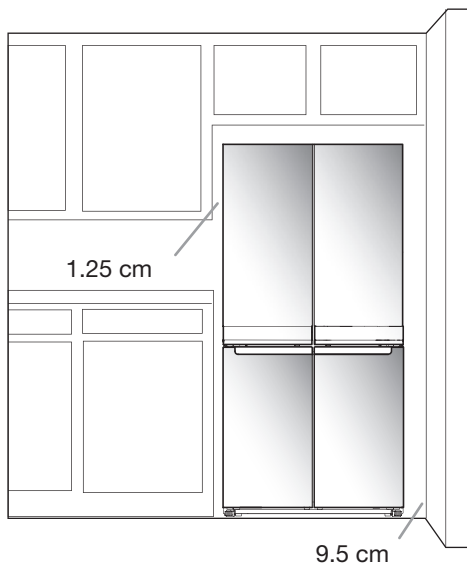
Explosion Hazard

Keep flammable materials and vapors, such as gasoline, away from refrigerator.

Failure to do so can result in death, explosion, or fire.

To ensure proper ventilation for your refrigerator, allow for a 1.25 cm space on each side and at the top. Allow for a 5 cm space behind the refrigerator. If your refrigerator has an ice maker, allow extra space at the back for the water line connections. When installing your refrigerator next to a fixed wall, leave a 9.5 cm minimum space between the refrigerator and wall to allow the door to swing open.

NOTE: This refrigerator is intended for use in a location where the temperature ranges from a minimum of 10°C to a maximum of 43°C. The preferred room temperature range for optimum performance, which reduces electricity usage and provides superior cooling, is between 15°C and 32°C. It is recommended that you do not install the refrigerator near a heat source, such as an oven or radiator.



Electrical Requirements

⚠ WARNING



Electrical Shock Hazard

Plug into a grounded (earthed) outlet.

Do not remove ground prong.

Do not use an adapter.

Do not use an extension cord.

Failure to follow these instructions can result in death, fire, or electrical shock.

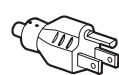
IMPORTANT: Installation and electrical connection must be carried out by a qualified technician according to the manufacturer's instructions and in compliance with the local safety regulations.

- The refrigerator is designed to operate on a separate 220-240 Volt, 10 A, 50/60 Hz circuit.
- Make sure the voltage specified on the rating plate corresponds to that of your home.
- It must be possible to disconnect the appliance from the power supply by unplugging it or by means of a main two pole switch installed upstream of the socket.
- If the supply cord is damaged, it must be replaced by the manufacturer, its service agent or similarly qualified persons in order to avoid a hazard.

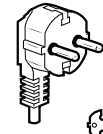
Before you move your refrigerator into its final location, it is important to make sure you have the proper electrical connection:

Recommended Earthing Method

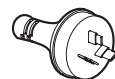
220-240 Volt 50 Hz, 220 Volt 60 Hz, or 230/240 Volt 50 Hz AC only 10 A fused and earthed electrical supply is required.



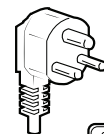
Type B



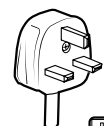
Type E and F



Type I



Type M



Type G

For Australia and New Zealand:

Your new appliance has been especially manufactured to meet all Australian Standards and Conditions.

Some notations in the installation instructions may refer to electrical requirements in other countries, so we draw your particular attention to these specific notes.

Your appliance needs to be plugged into a 230/240 Volt 50 Hz AC only 10 A earthed socket.

Electrical Requirements (Great Britain and Ireland only)

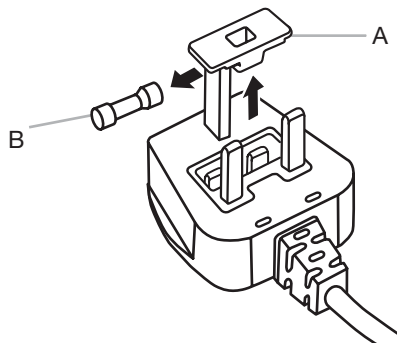
IMPORTANT: This refrigerator must be earthed.

Fuse Replacement

If the main lead of this refrigerator is fitted with a BS1363A, 13 A fused plug, to replace a fuse in this type plug use an A.S.T.A. approved fuse to BS 1362 type and proceed as follows:

1. Remove the fuse cover (A) and fuse (B).
2. Fit replacement 13 A fuse into the fuse cover.
3. Reinsert both the fuse and its cover into the plug.

IMPORTANT: The fuse cover must be refitted when changing a fuse. If fuse cover is lost, the plug must not be used until a correct replacement cover is fitted. A correct replacement is identified by the colour insert or colour "word" embossed on the base of the plug. Replacement fuse covers are available at your local electrical shop.



A. Fuse cover
B. Fuse

For the Republic of Ireland (only):

The information given in respect of Great Britain will frequently apply, but a third type of plug and socket is also used, the 2-pin, side earth type.

Socket/Plug (valid for both countries):

If the fitted plug is not suitable for your socket, please contact After-sales Service for further instruction. Please do not attempt to change the plug yourself. This procedure needs to be carried out by a qualified technician in compliance with the manufacturer's instructions and current standard safety regulations.

Temperature

This refrigerator is designed for operation in places where the temperature comes within the following ranges, according to climatic class shown on the rating plate. The refrigerator may not work properly if it is left for a long time at a temperature outside the specified range.

NOTE: It is recommended that you do not install the refrigerator near a heat source, such as an oven or radiator.

Climatic Class	Amb. T. (°C)	Amb. T. (°F)
SN	From 10 to 32	From 50 to 90
N	From 16 to 32	From 61 to 90
ST	From 16 to 38	From 61 to 100
T	From 16 to 43	From 61 to 110

Remove and Replace Refrigerator Doors

NOTE: Measure the width of your door opening to see whether or not you need to remove refrigerator doors to move refrigerator into your home. If door removal is necessary, see the following instructions.

IMPORTANT: If refrigerator was previously installed and you are moving it out of the home, turn refrigerator control off before you begin removing the doors. Unplug refrigerator or disconnect power. Remove food and adjustable door or utility bins from doors.

Gather required tools and read all instructions before removing doors.

TOOLS NEEDED: 6 mm socket wrench, 5 mm socket wrench and #2 Phillips screwdriver.



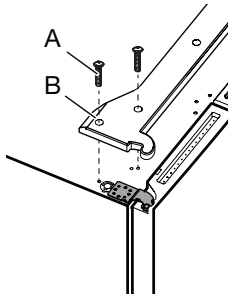
⚠ WARNING

Electrical Shock Hazard

Disconnect power before removing doors.

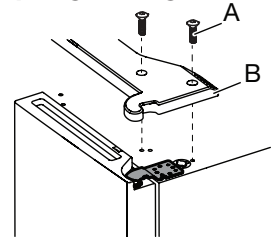
Failure to do so can result in death or electrical shock.

Top Left Hinge Cover



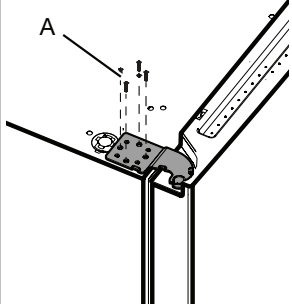
A. Top Hinge Cover screws
B. Top Hinge Cover

Top Right Hinge Cover



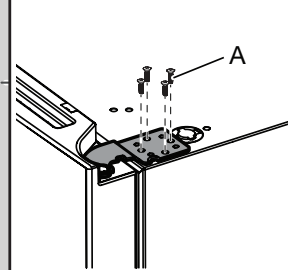
A. Top Hinge Cover screws
B. Top Hinge Cover

Top Left Hinge



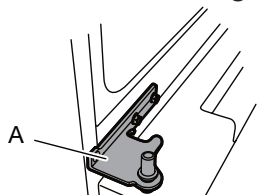
A. 5 mm socket screws

Top Right Hinge



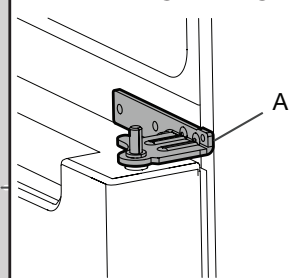
A. 5 mm socket screws

Middle Left Hinge

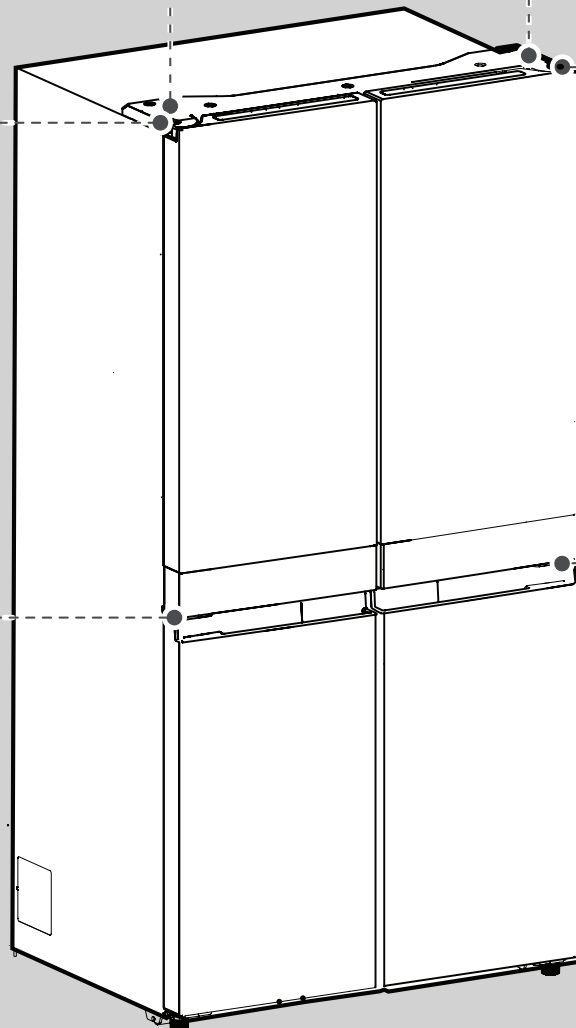


A. Hinge

Middle Right Hinge



A. Hinge



⚠ WARNING

Excessive Weight Hazard

Use two or more people to lift the refrigerator door.
Failure to do so can result in back or other injury.

Remove Refrigerator Doors

⚠ WARNING



Electrical Shock Hazard

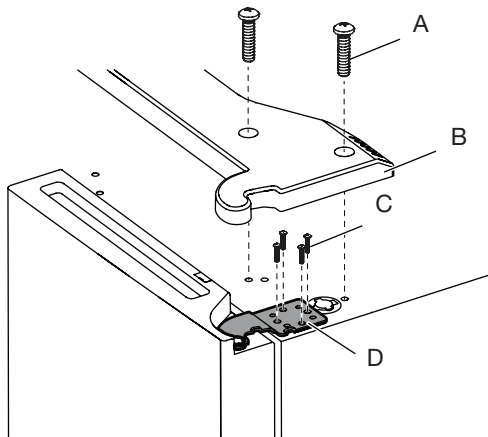
Disconnect power before removing doors.
Failure to do so can result in death or electrical shock.

Remove Right-Hand Door

1. Unplug refrigerator or disconnect power.
2. Keep refrigerator doors closed until you are ready to lift them free from the cabinet.

NOTE: Provide additional support for refrigerator door while the hinges are being removed. Do not depend on the door gasket magnets to hold the door in place while you are working.

3. Using a Phillips screwdriver, remove cover from top hinge.
4. Using 5 mm socket wrench, remove four screws from top hinge and set aside.



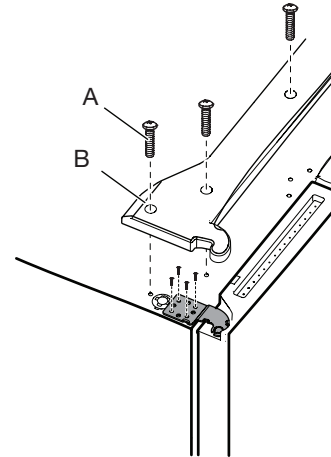
- A. Top hinge cover screw
B. Top hinge cover
C. 5 mm socket screws
D. Top hinge

5. Lift refrigerator door from the middle hinge pin. The top hinge will come away with the door.

Remove Left-Hand Door

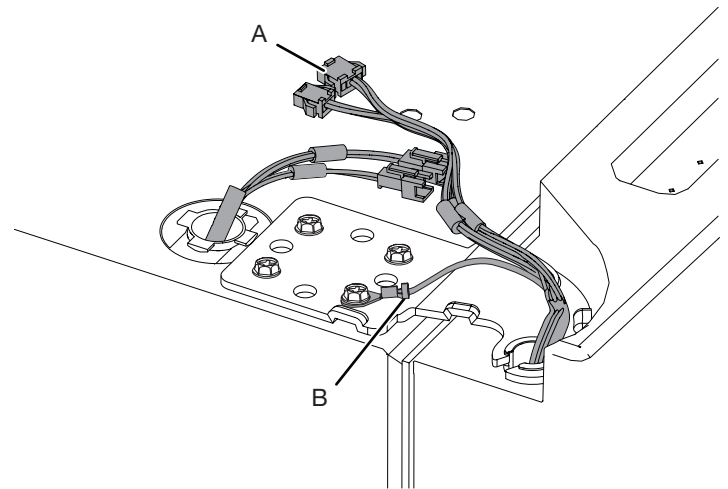
IMPORTANT: The wiring for UI run through left-hand door hinge, so they must be disconnected before removing the door.

1. Using a Phillips screwdriver, remove cover from top hinge.



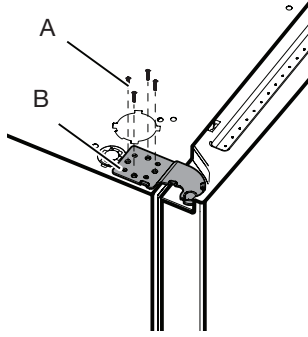
- A. Top hinge cover screw
B. Top hinge cover

2. Disconnect two wiring plugs located on top of the door hinge.
 - Grasp each side of wiring plugs. With your left thumb, press down to release the catch and pull the sections of the plugs apart.



- A. Wiring Plug
B. Ground (earth) connector

- Using 5 mm socket wrench, remove four internal screws from top hinge and set aside.



A. 5 mm socket screws
B. Top Hinge

NOTE: Provide additional support for refrigerator door while hinges are being removed. Do not depend on the door gasket magnets to hold the door in place while you are working.

- Lift refrigerator door from bottom hinge pin. The top hinge will come away with door.

NOTE: It may not be necessary to remove bottom hinges and brake feet assemblies to move the refrigerator through a doorway.

- Only if necessary, use 6 mm socket wrench and #2 Phillips screwdriver to remove middle hinge.

Replace Right-Hand Refrigerator Door

- Set right-hand door onto middle hinge pin.
- Insert top hinge pin into open hole in top of refrigerator door.
- Using four 5 mm socket screws, fasten hinge to cabinet. Do not tighten screws completely.

Replace Left-Hand Refrigerator Door

- Set left-hand door onto middle hinge pin.
- Using four 5 mm socket screws, fasten hinge to cabinet. Do not tighten screws completely.
- Reconnect electrical wiring.
 - Push together two sections of wiring plug.
 - Reconnect earth wire to hinge screw.

Final Steps

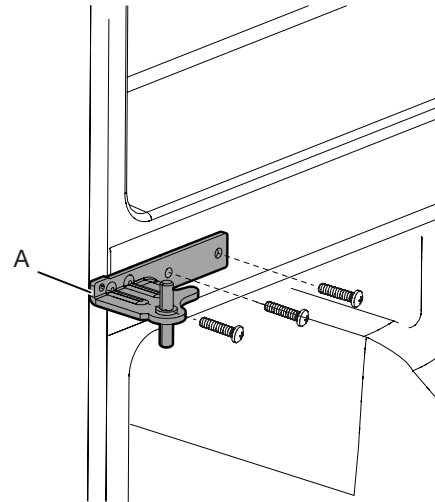
- Completely tighten eight 5 mm socket screws.
- Replace top hinge covers.

Remove and Replace Freezer/Flexi Freeze Door

- Keep freezer doors closed until you are ready to lift them free from cabinet.

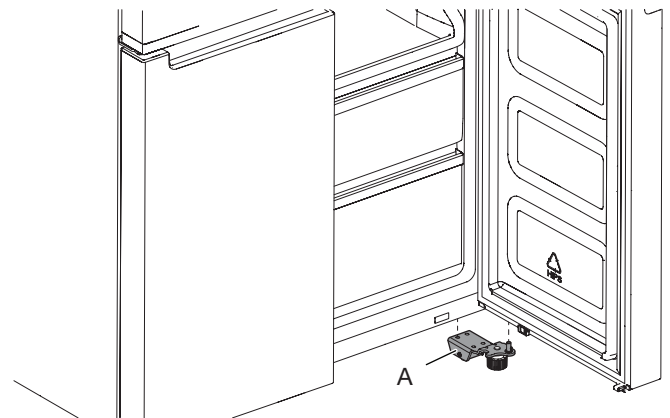
NOTE: Provide additional support for freezer door while hinges are being removed. Do not depend on door gasket magnets to hold door in place while you are working.

- Using a #2 Phillips screwdriver and 6 mm socket wrench to remove middle hinge from cabinet.



A. Middle hinge

- Lift freezer door from the bottom hinge pin.



A. Bottom hinge

⚠ WARNING



Electrical Shock Hazard

Plug into a grounded (earthed) outlet.

Do not remove ground prong.

Do not use an adapter.

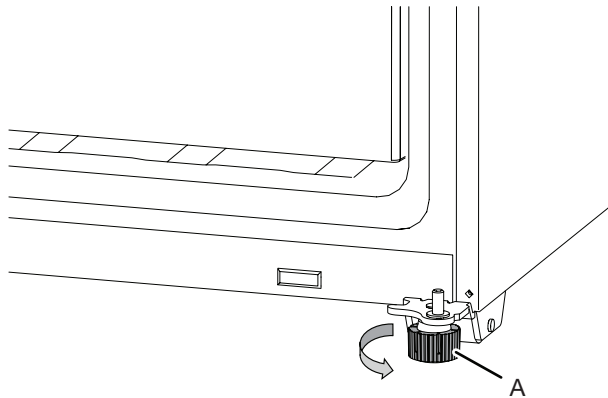
Do not use an extension cord.

Failure to follow these instructions can result in death, fire, or electrical shock.

1. Plug into an grounded (earthed) socket.
2. Return all removable parts and food to the drawers.

Refrigerator Levelling

1. Move refrigerator to its final location.
2. Using hand, rotate the brake feet. Turn them counterclockwise until the rollers are off the floor and both brake feet are snug against the floor. This keeps refrigerator from rolling forward when opening the doors.



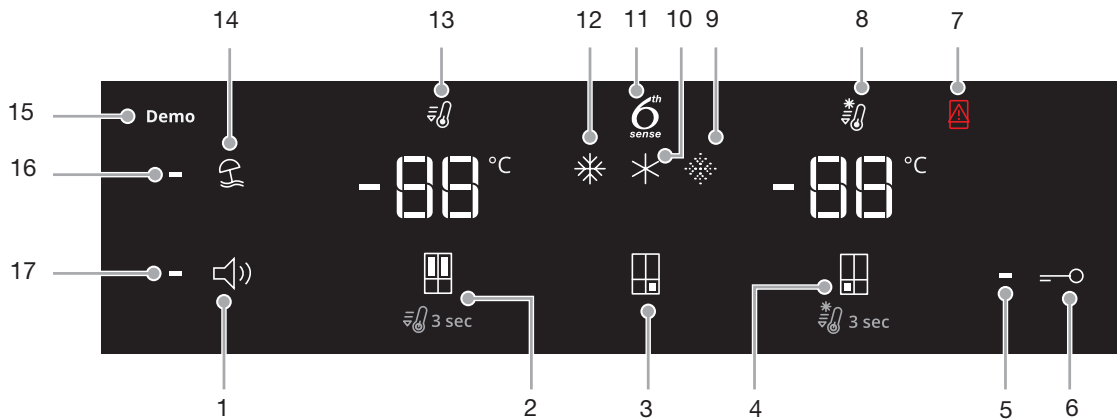
A. Brake feet

IMPORTANT: If you need to make further adjustments involving brake feet, you must turn both brake feet same amount to keep the refrigerator level.

3. Use a level to make sure refrigerator is level from side to side and front to back.

Using the Controls

The touch-activated controls are located on the left hand refrigerator door. The control panel includes information about various buttons and indicators. Refrigerator and freezer temperature indicator shows last temperature set point.



1. Sound ON/OFF Button
2. Refrigerator Temperature Button (hold 3 sec for Fast Cool)
3. Flexi Freeze Preset Temperature Button (only with WQ9 B1L, 6WM24NIHAS and WQ70900SXX)
4. Freezer Temp Button (hold 3 sec for Fast Freeze)
5. Key Lock Indicator
6. Key Lock Button
7. Door Open Indicator
8. Fast Freeze Indicator
9. Soft Freeze Indicator (only with WQ9 B1L, 6WM24NIHAS and WQ70900SXX)
10. Mild Freeze Indicator (only with WQ9 B1L, 6WM24NIHAS and WQ70900SXX)
11. 6th Sense Indicator
12. Traditional Freeze Indicator (only with WQ9 B1L, 6WM24NIHAS and WQ70900SXX)
13. Fast Cool Indicator
14. Holiday Mode Button
15. Demo Mode Indicator (only with WQ9 B1L, 6WM24NIHAS and WQ70900SXX)
16. Holiday Mode Indicator
17. Sound Indicator

The Control Panel will automatically turn off after one minute of inactivity. To turn on the control panel, press any key.

- Viewing and Adjusting Temperature Set Points

Adjusting Refrigerator and Freezer Compartment Temperature:

For your convenience, your refrigerator and freezer controls are preset at the factory.

When you first install your refrigerator, make sure that the controls are still set to the recommended set points. The factory recommended set points are 3°C for the refrigerator and -18°C for the freezer.

Pressing Refrigerator or Freezer Temperature button will toggle through temperature set points in Celsius (°C).

IMPORTANT:

- Wait 24 hours before you put food into refrigerator. If you add food before refrigerator has cooled completely, your food may spoil.

NOTE: Adjusting the set points to a colder-than recommended setting will not cool compartments any faster.

- If the temperature is too warm or too cold in the refrigerator or freezer, first check the air vents to be sure they are not blocked before adjusting the controls.
- The recommended settings should be correct for normal household use. The controls are set correctly when milk or juice is as cold as you like and when ice cream is firm.

NOTE: Areas such as a garage, basement or porch may have higher humidity or extreme temperatures. You may need to adjust the temperature away from the recommended settings to accommodate for these conditions.

- Wait at least 24 hours between adjustments. Recheck the temperatures before other adjustments are made.

6th Sense Fresh Lock and Freeze Control

The 6th SENSE Fresh Lock sensor ensures precise and consistent temperature control to preserve fresh food for longer, in the most natural way. Once a temperature variation is detected, the sensor activates a compressor that quickly restores the original temperature.

The 6th SENSE Freeze sensor minimizes temperature fluctuations in freezer thanks to an innovative temperature management system. Freezer burns are reduced to preserving quality and color of food.

Flexi Freeze Setting (only with WQ9 B1L, 6WM24NIHAS and WQ70900SXX)

Flexi Freeze function allows you to toggle preset temperature for Flexi freeze compartment.

Symbol	Function	Temperature
	Traditional freezer	-18°C
	Mild freezer	-12°C
	Soft freezer	-7°C

* To activate/deactivate Coolest setting (-20°C), press Flexi Freeze Preset Temperature Button for 3 seconds. When the Coolest setting is activated, all three icons will be lit.

Adjusting Multi Temperature Setting

- Traditional freezer (-18°C): Food already frozen and fresh food (max 12 months)
- Mild freezer (-12°C): Food already frozen (max 1 month)
- Soft freezer (-7°C): Food already frozen (max 1 week)

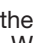
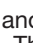
- When Flexible Freezer set to -18°C or -20°C, both Flexible Freezer temperature and Freezer temperature would be cooled down to the colder setting whichever Freezer or Flexible Freezer has.
- Flexible Freezer compartment temperature might not be able to reach -7°C when the ambient temperature is around 10°C or colder.

When adjusting temperature set points, use the following chart as a guide:

CONDITION	TEMPERATURE ADJUSTMENT
Refrigerator too cold	Refrigerator setting 1° higher
Refrigerator too warm	Refrigerator setting 1° lower
Freezer too cold	Freezer setting 1° higher
Freezer too warm/ too little ice	Freezer setting 1° lower

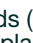
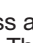
Fast Cool

The Fast Cool feature assists with periods of high refrigerator use, full grocery loads, or temporarily warm room temperatures.

- To turn on the Fast Cool feature, press and hold the Refrigerator Temperature button  for 3 seconds. When feature is activated, the Fast Cool icon will be illuminated. The Fast Cool feature will remain on for 2 hours unless manually turned off.
- To manually turn off the Fast Cool feature, press and hold the Refrigerator Temperature button  for 3 seconds. The Fast Cool icon will turn off when feature is not activated.
- Adjusting refrigerator temperature will automatically turn off the Fast Cool feature.

Fast Freeze

The amount of fresh food (in kg) that can be frozen in 24 hours is indicated on the appliance rating plate.

- Press Freezer Temperature button  for 3 seconds (until the Fast Freeze Indicator lights up), 24 hours before placing fresh food in the freezer. After placing fresh food in the freezer, 24 hours on Fast Freeze function is generally sufficient; After 50 hrs the fast freeze function automatically deactivates.
- To manually turn off the Fast Freeze feature, press and hold the Freezer Temperature button  for 3 seconds. The Fast Freeze icon will turn off.
- Adjusting the freezer temperature will automatically turn off the Fast Freeze feature.

Holiday Mode

This mode is designed to avoid your appliance from wasting energy during times when it's not in regular use (when you are in holiday for example).

By selecting this function the temperature of refrigerator compartment (RC) will automatically be set to 12°C.

- To use the Holiday mode, press mode button until Holiday mode indicator is lit on the display.
- To exit the Holiday mode, press the mode button until no mode icon is lit on the display.
- Adjusting the refrigerator temperature will automatically turn off the Holiday Mode feature.

IMPORTANT: If this mode is selected then all food and drinks must be removed from refrigerator compartment.

Sound ON-OFF

Press button to activate/deactivate Sound Feedback.

Key Lock

- Press and hold the Lock button for 3 seconds to activate lock feature.
- To deactivate lock, press and hold the Lock button for 3 seconds.

The lock feature will ignore all interaction with control panel until the user unlocks the control panel. This feature is meant to avoid unintentional changing of settings.

Demo Mode (only with WQ9 B1L, 6WM24NIHAS and WQ70900SXX)

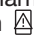
This mode is used when refrigerator is on display in a retail shop or if you want to turn the cooling off and deactivate all other functions (except interior lighting).

Demo mode can be used when going on extended holiday. See the "Holiday and Moving Care" section for proper steps on leaving your refrigerator in this mode for long periods of time.

- If you turn on Demo mode, the "Demo" icon will light up on the display.
- Enter or exit Demo mode by pressing and holding the Sound On or Off button and the Lock button simultaneously for 3 seconds.

Additional features

Door Open Alarm

- The Door Open Alarm feature sounds an alarm and blinks the "Door Open" icon  when any of the four doors is open for 2 minutes or more.
- The alarm will repeat every 5 minutes. Close all doors to turn it off.

NOTE: To mute audible alarm while keeping the doors open, such as while cleaning inside of refrigerator, touch any button on control panel. The alarm sound will be temporarily turned off, but the Door Open icon will still be displayed on the control panel.

Lighting the Refrigerator

The refrigerator has an interior light that comes on any time door is opened.

NOTE: The light is LED which does not need to be replaced. If the LED does not illuminate when the door is opened, call service to replace light.

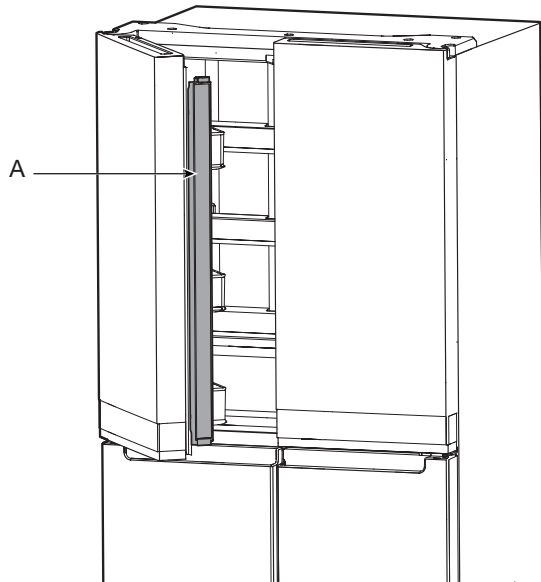
REFRIGERATOR USE

Opening and Closing Doors

There are two refrigerator compartment doors. The doors can be opened and closed either separately or together. There is a vertically hinged seal on left refrigerator door.

- When left-side door is opened, hinged seal automatically folds inward so that it is out of the way.
- When both doors are closed, the hinged seal automatically forms a seal between two doors.

NOTE: When closing the door, the hinged seal should be in correct position (be bent inside). Otherwise it will hit the right door or the fixing shaft.

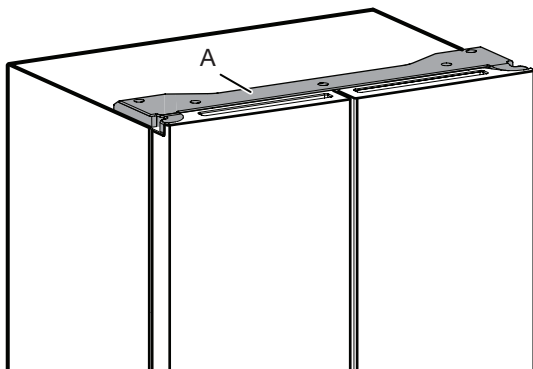


A. Hinged seal

The refrigerator compartment door switch is located in top left and right hinge cover.

- For Freezer and Multi Temperature Zone, door switch is located in the bottom mullion.
- The door switch uses magnet to sense door opening/closing.
- Ensure there are no magnet or electronic devices (Speaker, Coolvox® etc.) within 7.62 cm of the hinge cap.

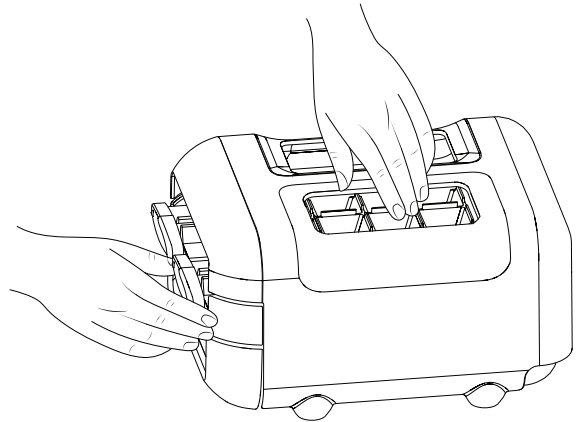
NOTE: The light will not turn on if door opening is not detected.



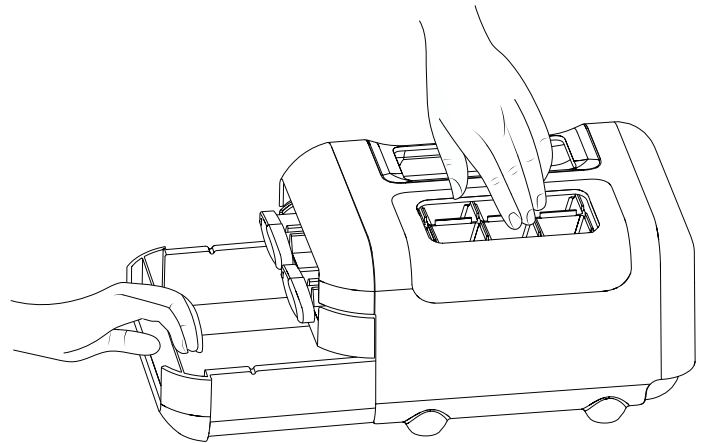
A. Hinge cover

Ice Maker

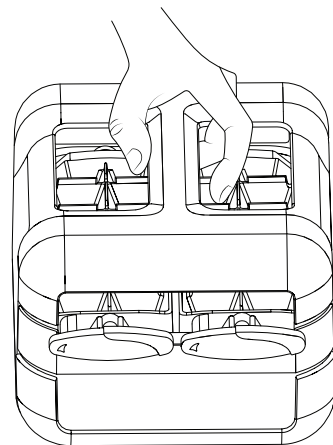
- To make ice, fill ice tray with purified water and place Manual Ice maker into Freezer top shelf. Allow time till ice gets formed and once ice is ready, turn the knobs in clockwise direction to eject ice cubes into the ice container.



- Lift ice container slightly and pullout ice container to get access to ice cubes.



Manual ice maker assembly can be taken out of the freezer when ice is not required to make more compartment in freezer.



Food Storage

Egg Storage

It is recommended to store eggs at a consistent temperature to keep its freshness, so best is to keep them in the fridge on the middle shelf.

SHELVES, BINS AND DRAWERS

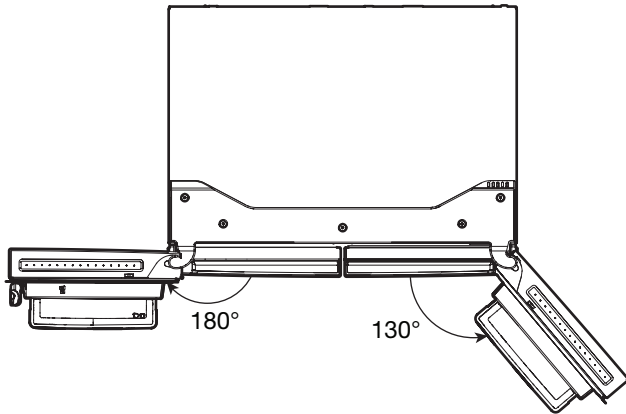
Important information to know about glass shelves and covers:

Do not clean glass shelves or covers with warm water when they are cold. Shelves and covers may break if exposed to sudden temperature changes or impact, such as bumping. Tempered glass is designed to shatter into many small, pebble-size pieces. This is normal. Glass shelves and covers are heavy. Use both hands when removing them to avoid dropping.

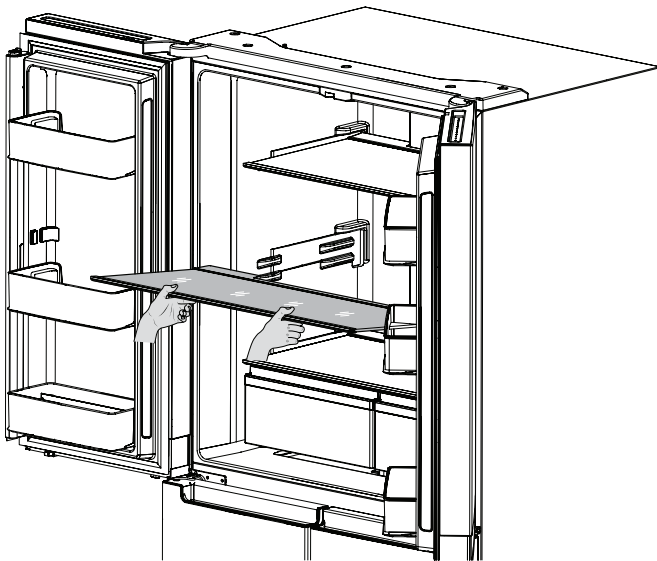
Shelf Height Adjustment

Shelf height can be adjusted by changing its location from bottom support to upper support and vice versa.

- Open right side door to its full opening.
- Open left side door to its full opening and then lift the door to open 180°.



- Take shelf out of refrigerator and place it to desired mounting position.



- Ensure shelf is properly seated on the shelf mounts.

Shelves and Shelf Frames

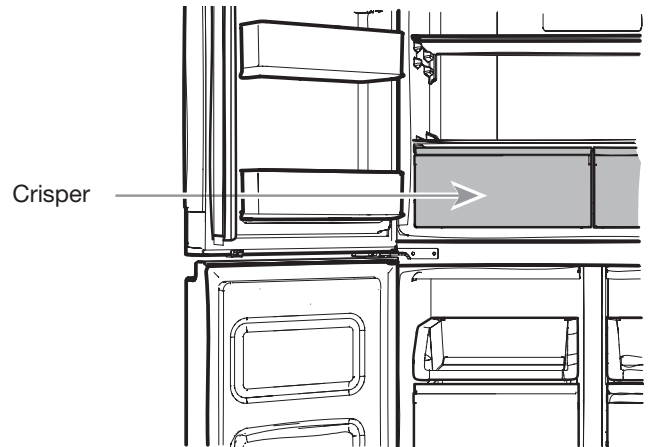
The shelves in your refrigerator are adjustable to meet your individual storage needs.

Storing similar food items together in your refrigerator and adjusting the shelves to fit different heights of items will make finding the exact item you want easier. It will also reduce the amount of time the refrigerator door is open and save energy.

To remove and replace shelves:

1. Open right side door to its full opening and left side door to its full opening and lift left door to open 180°.
2. Remove middle shelf or top shelf by lifting it up and out of shelf supports. Then pull the shelf forward and tilt down to a vertical position. Turn shelf at an angle and pull out of the refrigerator.
3. Remove the bottom shelf by lifting it up and out of the shelf supports. Then pull the shelf forward and tilt up to a vertical position. Turn the shelf at an angle and pull out of refrigerator.
4. Replace middle and top shelves by putting shelf in the refrigerator at an angle with shelf front down. Lift front of the shelf up and slide in until the rear of shelf drops into shelf supports. Lower the front of shelf and make sure that the shelf is in position.
5. Replace bottom shelf by putting shelf in refrigerator at an angle with shelf up. Lift front of shelf down and slide in until rear shelf drops into the shelf supports. Lower front of the shelf and make sure that shelf is in position.

Crispers

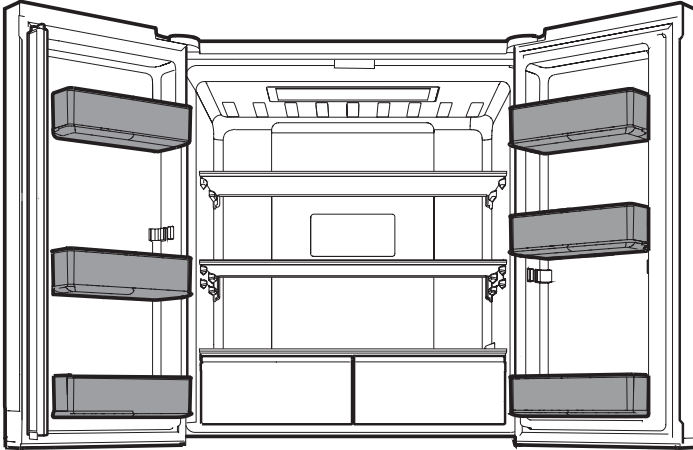


To remove and replace the Crispers:

1. Grasp handle of the Crisper and slide Crisper straight out to the stop. Lift the Crisper off the bottom guide.
2. Replace/putting back the Crisper by placing it on bottom Crisper guide and pushing it past the Crisper stop into position.

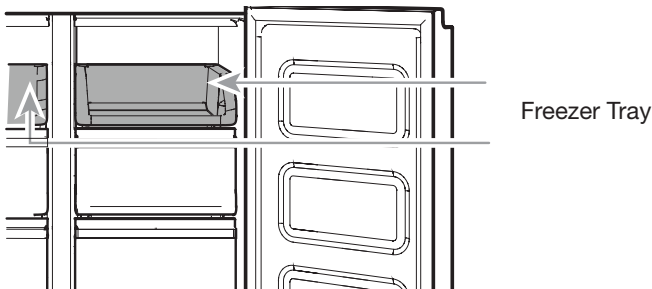
Refrigerator Balconies

The balcony on your refrigerator door are adjustable to meet your individual storage needs.



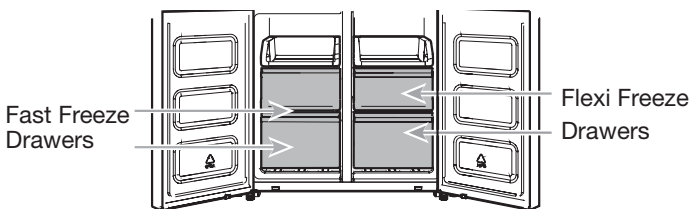
Freezer Storage Compartments

Freezer Tray



Freezer tray is useful to easily access frequently used products, freeze or simply store leftovers or small items.

Freezer Drawers



Fast Freeze compartment

- Fast Freezer drawers allows you to conveniently store big volume items.
- Fast Freeze option allows you to store all your frozen food safely and transparently.

NOTE: Freezer temperature might be cooled down to be same as Flexible Freezer Compartment temperature, when Freezer set to warmer than Flexible Freezer compartment.

Flexi Freeze Compartment (only with WQ9 B1L, 6WM24NIHAS and WQ70900SXX)

Flexi Freeze Compartment allows you to select one of three freezer temperature levels: -7°C , -12°C , -18°C and -20°C to provide the best storing conditions for different types of food.

For maximum freezer capacity, you may remove the freezer drawer to expose the freezer shelf.

To remove the upper drawer:

1. Grasp handle of the drawer and slide drawer straight out to the stop. Lift drawer off the bottom guide.
2. Replace/putting back drawer by placing it on bottom drawer guide and pushing it past drawer stop into position.

Freezer Shelf (only with WQ9 E1L and WQ9 B1L)

To maximize freezer capacity, you may remove mid drawer to expose freezer shelf beneath. You can then store upper drawer and load food directly on top of the shelf.

Audio Reference

Tone Assignment

Tone Name	Usage Examples
Power On	Cooling system is turned on every time the product is powered on.
Key Press	User presses a valid button.
Invalid (Error)	User presses two or more valid buttons at the same time. Count-down interruption for press-and-hold buttons.
Engage	Acknowledgement of entry into any mode.
Disengage	Acknowledgement of exit from any mode.
Alert	Door Ajar alert.

This table is for quick reference only. See corresponding sections for details. In case of inconsistency, section details will prevail.

Accessories

To order accessories, contact the dealer from whom you purchased your refrigerator.

Assistance or Service

Before calling for assistance or service, please check the "Troubleshooting" section. It may save you the cost of a service call. If you still need help, follow the instructions below.

If you need replacement parts

To locate factory-specified replacement parts in your area, contact the dealer from whom you purchased your refrigerator.

Warranty

Contact the dealer from whom you purchased refrigerator for warranty information.

Keep this book and your sales slip together for future reference. You must provide proof of purchase or installation date for in-warranty service.

Write down the following information about your appliance to help you obtain assistance or service if you ever need it. You will need to know your complete model number and serial number. You can find this information on the model and serial number label, located on the inside wall of the refrigerator compartment.

Dealer name _____

Serial number _____

Address _____

Phone number _____

Model number _____

Purchase date _____

REFRIGERATOR CARE

Cleaning

 WARNING

Explosion Hazard Use nonflammable cleaner. Failure to do so can result in death, explosion, or fire.

All of the Refrigerator, Freezer and Flexi freeze sections (only with WQ9 B1L, 6WM24NIHAS and WQ70900SXX) defrost automatically. However, clean all the sections about once a month to avoid build-up of odours. Wipe up spills immediately.

Exterior Cleaning

Please see the exterior cleaning information specific to your model.

Style 1 – Smooth Door

IMPORTANT: Damage to smooth finish due to improper use of cleaning products or using non-recommended cleaning products is not covered under the warranty. Sharp or blunt instruments will mar the finish.

DO USE	DO NOT USE
✓ Soft, clean cloth	<ul style="list-style-type: none"> ✗ Abrasive cloths ✗ Paper towels or newsprint ✗ Steel-wool pads
✓ Warm, soapy water with a mild detergent	<ul style="list-style-type: none"> ✗ Abrasive powders or liquids ✗ Window sprays ✗ Ammonia ✗ Acidic or vinegar-based Cleaners ✗ Oven cleaners ✗ Flammable fluids

NOTE: Paper towels scratch and may dull clear coat of painted door. To avoid possible damage, use only soft, clean clothes to polish and wipe the doors.

Style 2 – Stainless Steel

IMPORTANT:

- Use recommended stainless steel cleaners and cloths only. Damage to stainless steel finish due to improper use of cleaning products or using non-recommended cleaning products is not covered under the warranty.
- Avoid exposing stainless steel appliances to caustic or corrosive elements such as high-salt, high-moisture, or high-humidity environments. Damage due to exposure to these elements is not covered under the warranty.

DO USE	DO NOT USE
✓ Soft, clean cloth	<ul style="list-style-type: none"> ✗ Abrasive cloths ✗ Paper towels or newsprint ✗ Steel-wool pads
✓ Warm, soapy water with a mild detergent	<ul style="list-style-type: none"> ✗ Abrasive powders or liquids ✗ Ammonia ✗ Citrus-based cleaners ✗ Acidic or vinegar-based cleaners ✗ Oven cleaners
✓ For heavy soil, use only a stainless steel cleaner designed for appliances. To order the cleaner, contact the dealer from whom you purchased your refrigerator.	✗ Stainless steel cleaner is for stainless steel parts only. Do not allow the stainless steel cleaner and polish to come into contact with any plastic parts such as the trim pieces, dispenser covers, or door gaskets.

Style 3 – Fingerprint-Resistant Stainless

IMPORTANT:

- Avoid exposing stainless steel appliances to caustic or corrosive elements such as high-salt, high-moisture, or high-humidity environments. Damage due to exposure to these elements is not covered under the warranty.

DO USE	DO NOT USE
✓ Soft, clean cloth	<ul style="list-style-type: none"> ✗ Abrasive cloths ✗ Paper towels or newsprint ✗ Steel-wool pads
✓ Warm, soapy water with a mild detergent	<ul style="list-style-type: none"> ✗ Abrasive powders or liquids ✗ Window sprays ✗ Ammonia ✗ Acidic or vinegar-based cleaners ✗ Oven cleaners ✗ Flammable fluids

NOTES:

- If unintentional contact does occur, clean plastic part with a sponge and mild detergent in warm water. Dry thoroughly with a soft cloth.
- Just because a cleaner is a liquid does not mean it is non-abrasive. Many liquid cleansers formulated to be gentle on tile and smooth surfaces still damage stainless steel.
- Citric acid permanently discolours stainless steel.
- To avoid damaging the finish of your stainless steel refrigerator:

Do not allow these substances to remain on the finish:

- | | |
|------------------|-------------------------|
| ✗ Mustard | ✗ Citrus-based sauces |
| ✗ Tomato juice | ✗ Citrus-based products |
| ✗ Marinara sauce | |

Interior Cleaning

1. Unplug refrigerator or disconnect power.
2. Hand wash, rinse, and dry removable parts and interior surfaces thoroughly. Use a clean sponge or soft cloth and a mild detergent in warm water.
NOTE: Do not use abrasive or harsh cleaners such as window sprays, scouring cleansers, flammable fluids, cleaning waxes, concentrated detergents, bleaches, or cleansers containing petroleum products on plastic parts, interior and door liners, or gaskets.
3. Plug in refrigerator or reconnect power.

Condenser

This refrigerator has skin condenser on both sides of refrigerator. It is normal to feel warm on the sides.

Lights

The lights in both the refrigerator and freezer compartments are LEDs which do not need to be replaced. If the lights do not illuminate when the door is opened, contact the dealer from whom you purchased your refrigerator.

Holiday and Moving Care

Holidays

If You Choose to Leave the Refrigerator On While You're Away:

1. Use up any perishables and freeze other items.
2. If your refrigerator has an automatic ice maker and is connected to the household water supply, turn off the water supply to the refrigerator. Property damage can occur if the water supply is not turned off.
3. If you have an automatic ice maker, turn off the ice maker.
 - Press the switch to Off (O) for the door ice maker.
4. Empty the ice bin.

If You Choose to Turn Off the Refrigerator Before You Leave:

NOTE: Put refrigerator in Demo Mode while on Holiday. See the "Using the Controls" section.

1. Remove all food from the refrigerator.
2. If your refrigerator has an automatic ice maker:
 - Turn off water supply to the ice maker at least 1 day ahead of time.
 - When last load of ice drops, press the switch to Off (O) for display to be unlit on the top inside of the refrigerator, depending on your model.
3. Empty ice bin.
4. Turn off temperature controls. See the "Using the Controls" section.
5. Clean refrigerator, wipe it and dry well.
6. Tape rubber or wood blocks to the tops of both doors to prop them open far enough for air to get in. This stops odours and mould from building up.

Moving

When you are moving your refrigerator to a new home, follow these steps to prepare it for the move.


1. If your refrigerator has an automatic ice maker:
 - Turn off water supply to the ice maker at least 1 day ahead of time.
 - Disconnect water line from the back of the refrigerator.
 - When last load of ice drops, press the switch to Off (O) either on the ice maker or the control, depending on your model.
2. Remove all food from refrigerator and pack all frozen food in dry ice.
3. Empty ice bin.
4. Unplug refrigerator.
5. Clean, wipe and dry thoroughly.
6. Take out all removable parts, wrap them well and tape them together so they don't shift and rattle during the move.
7. Depending on the model, raise the front of the refrigerator so it rolls more easily or raise the levelling screws so they do not scrape the floor. See the "Adjust the Doors" or "Refrigerator Levelling and Door Closing" sections.
8. Tape doors closed and tape the power cable to the back of the refrigerator.

When you get to your new home, put everything back and refer to the "Installation Instructions" section for preparation instructions. Also, if your refrigerator has an automatic ice maker, remember to reconnect the water supply to the refrigerator.

TROUBLESHOOTING

First try the solutions suggested here to possibly avoid a service call.

⚠ WARNING



Electrical Shock Hazard

Plug into a grounded (earthed) outlet.

Do not remove ground prong.

Do not use an adapter.

Do not use an extension cord.

Failure to follow these instructions can result in death, fire, or electrical shock.

If you experience	Possible Causes	Solution
Refrigerator Operation		
The refrigerator will not operate.	Check electrical supply.	Plug the power cable into an earthed socket.
		Do not use an extension cable.
		Make sure there is power to the socket. Plug in a lamp to see if the socket is working.
		Reset a tripped circuit breaker. Replace any blown fuses. NOTE: If problems continue, contact an electrician.
	Check controls.	Make sure the controls are turned on. See the “Using the Controls” section.
New installation.		Allow 24 hours following installation for refrigerator to cool completely. NOTE: Adjusting the temperature controls to the coldest setting will not cool either compartment more quickly.
	Refrigerator control is in Demo mode (on some models).	If refrigerator is in Demo mode, cooling is turned off and “Demo” will be illuminated on the control panel. See the “Using the Controls” section for more information.
The motor seems to run too much.	High-efficiency compressor and fans.	Larger, more efficient refrigerators run longer at lower, more energy efficient speeds.
	The room or outdoor temperature is hot.	It is normal for refrigerator to work longer under these conditions. For optimum performance, place refrigerator in an indoor, temperature-controlled environment. See the “Location Requirements” section.
	A large amount of warm food has been recently added.	Warm food will cause refrigerator to run longer until the air cools to the desired temperature.
	The door(s) are opened too frequently or for too long.	Warm air entering refrigerator causes it to run more. Open the door less often.
	The refrigerator door or freezer drawer is open.	Make sure refrigerator is level. See the “Refrigerator Levelling and Door Closing” section. Keep food and containers from blocking the door.
	The refrigerator control is set too cold.	Adjust refrigerator control to a less-cold setting until the refrigerator temperature is as desired.
	The door or drawer gasket is dirty, worn, or cracked.	Clean or change the gasket. Leaks in the door seal will cause refrigerator to run longer in order to maintain desired temperatures.

TROUBLESHOOTING

First try the solutions suggested here to possibly avoid a service call.

If you experience	Possible Causes	Solution
The lights do not work.	Your refrigerator is equipped with LED lighting which does not need to be replaced.	If there is power to the refrigerator and the lights do not illuminate when a door or drawer is opened, call for service or assistance.
	Doors have been open longer than 10 minutes.	Close the doors and drawer to reset and open to resume lighted task.
	The door switch is not sensing the door opening.	Ensure there are no magnets or electronic devices within 7.6 cm (3") of the hinge cover.
The Temperature Control UI does not turn on.	The Temperature Control UI went to sleep.	Press any button on the UI to wake up the The Temperature Control UI.
	The Temperature Control UI buttons are not working well.	Try cycling power on the refrigerator to make the buttons reset. If problem continuous, call for service or assistance.
	The Temperature Control UI is not receiving power.	Check the wiring harness at the door hinge.
Unable to adjust setting on The Temperature Control UI.	Door is open and Door ajar alarm is activated.	Close the door.
Unusual Noise		
To listen to normal refrigerator sounds, go to the Product Help/FAQ section of the brand website and search for "normal sounds." Below are listed some normal sounds with explanations.		
The refrigerator seems noisy.	The compressor in your new refrigerator regulates temperature more efficiently while using less energy and operates quietly.	Due to this reduction in operating noise, you may notice unfamiliar noises that are normal.
Sound of the compressor running longer than expected.	High-efficiency compressor and fans.	Larger, more-efficient refrigerators run longer at lower, more energy efficient speeds.
Pulsating/Whirring	Fans/compressor adjusting to optimize performance during normal compressor operation.	This is normal.
Popping	Contraction/expansion of inside walls, especially during initial cool down.	This is normal.
Hissing/Dripping	Flow of refrigerant or flow of oil in the compressor.	This is normal.
Vibration	The refrigerator may not be steady.	Adjust the levelling screws and lower the levelling foot firmly against the floor. See the "Refrigerator Levelling and Door Closing" section.
Sizzling	Water dripping on the heater during Defrost cycle.	This is normal.
Water running/Gurgling	May be heard when ice melts during the Defrost cycle and water runs into the drain pan.	This is normal.

TROUBLESHOOTING

First try the solutions suggested here to possibly avoid a service call.

If you experience	Possible Causes	Solution
Temperature and Moisture		
Temperature is too warm.	The refrigerator has just been installed.	Allow 24 hours following installation for refrigerator to cool completely.
	The controls are not set correctly for the surrounding conditions.	Adjust the controls a setting colder. Check the temperature in 24 hours. See the "Using the Controls" section.
	The door(s) are opened often or not closed completely. Allows warm air to enter refrigerator.	Minimize door openings and keep doors fully closed.
	A large load of food was recently added.	Allow several hours for refrigerator to return to normal temperature.
	Demo mode is on.	Turn off the Demo mode. See the "Using the Control" section.
	Holiday mode is on.	Turn off the Holiday mode. See the "Using the Control" section.
Temperature is too cold in the refrigerator/crisper.	The refrigerator air vent(s) are blocked.	If the air vent located in the middle rear of the refrigerator compartment is blocked by items placed directly in front of it, the refrigerator will get too cold. Move items away from the air vent.
	The controls are not set correctly for the surrounding conditions.	Adjust the controls a setting warmer. Check the temperature in 24 hours. See the "Using the Controls" section.
Temperature is too cold in the temperature controlled drawer.	The control is not set correctly for the items stored in drawer.	Adjust the temperature setting. See the "Using the Controls" in the "Refrigerator Use" section.
There is interior moisture build-up. NOTE: Some moisture build-up is normal.	The room is humid.	A humid environment contributes to moisture build-up.
	The door(s) are opened often or not closed completely. Allows humid air to enter the refrigerator.	Minimize door openings and close doors completely.
	The door(s) are blocked open.	Move food packages away from door.
	A bin or shelf is in the way.	Push bin or shelf back into the correct position.
	Storing liquid in open containers.	This adds humidity to refrigerator interior. Keep all containers tightly covered.
There is frost/ice build-up in the freezer compartment.	The door is opened often or left open.	Minimize door openings and close drawer completely after use.
	The door has poor door seal.	Ensure door seals are making full contact with the refrigerator cabinet to allow for an adequate seal.
	Temperature controls are not set correctly.	See the "Using the Controls" section for recommended temperature settings.

TROUBLESHOOTING

First try the solutions suggested here to possibly avoid a service call.

⚠ WARNING

<p>Explosion Hazard</p> <p>Use nonflammable cleaner.</p> <p>Failure to do so can result in death, explosion, or fire.</p>

To view an animation showing how to adjust and align the doors, refer to the Product Help/FAQ section of the brand website and search for “Door Closing and Door Alignment.”

If you experience	Possible Causes	Solution
Doors		
The doors will not close completely.	The door is blocked open.	Move food packages away from door.
	A bin or shelf is in the way.	Push bin or shelf back into the correct position.
	Recently installed	Remove all packaging materials.
The doors are difficult to open.	The door gaskets are dirty or sticky.	Clean gaskets and contact surfaces with mild soap and warm water. Rinse and dry with soft cloth.
The doors appear to be uneven.	The doors need to be aligned or the refrigerator needs to be levelled.	If you need to align door please call for service.
The refrigerator is unsteady or it rolls forward when opening and closing doors.	The refrigerator brake feet are not snug against the floor.	Turn both brake feet (one on each side) counterclockwise, the same amount, until they are snug against the floor. See the “Refrigerator Levelling and Door Closing” section.

Sommario

SICUREZZA DEL FRIGORIFERO	28
Smaltimento corretto del vecchio frigorifero	31
COMPONENTI E FUNZIONI	32
ISTRUZIONI DI INSTALLAZIONE	33
Per iniziare.....	33
Disimballare il frigorifero	33
Requisiti per il posizionamento.....	34
Requisiti elettrici.....	34
Rimuovere e sostituire le porte del frigorifero	36
Rimuovere e sostituire la porta del congelatore/ congelamento flessibile	38
Messa in piano del frigorifero	39
Uso dei comandi.....	40
Luce del frigorifero	41
USO DEL FRIGORIFERO	42
Apertura e chiusura delle porte	42
Conservazione degli alimenti.....	42
RIPIANI, BALCONCINI E CASSETTI	43
Comparti del congelatore	44
Spiegazione dei segnali sonori	44
Accessori.....	44
Servizio di assistenza.....	44
MANUTENZIONE DEL FRIGORIFERO	45
Pulizia	45
Luci.....	46
Inutilizzo e trasporto.....	46
RISOLUZIONE DEI PROBLEMI	47

SICUREZZA DEL FRIGORIFERO

La vostra sicurezza e quella degli altri sono della massima importanza.

Il presente manuale e l'apparecchio contengono numerosi messaggi per la sicurezza. Leggere e rispettare sempre tutti i messaggi per la sicurezza.



Questo è il simbolo di avviso di sicurezza.

Il simbolo informa di potenziali rischi che possono causare il decesso o ferite all'utente e ad altre persone.

Tutti i messaggi per la sicurezza sono preceduti dal simbolo di avviso di sicurezza e dalla parola "PERICOLO" o "AVVERTENZA".

Queste parole significano:

⚠ PERICOLO

Se non si seguono immediatamente le istruzioni si rischia la morte o lesioni gravi.

⚠ AVVERTENZA

Se non si seguono le istruzioni si rischia la morte o lesioni gravi.

Tutti i messaggi per la sicurezza segnalano quali sono i rischi potenziali, indicano come ridurre possibili lesioni e spiegano cosa può succedere se non si seguono le istruzioni.

ISTRUZIONI DI SICUREZZA

Prima di utilizzare l'apparecchio leggere le presenti istruzioni di sicurezza. Tenerle sempre a portata di mano per consultazioni future. Queste istruzioni e l'apparecchio stesso forniscono importanti avvertenze di sicurezza, da osservare in ogni momento. Il produttore declina ogni responsabilità per il mancato rispetto di queste avvertenze di sicurezza, per un uso improprio dell'apparecchio o per una errata regolazione dei comandi.

⚠ I bambini molto piccoli (0-3 anni) devono essere tenuti lontano dall'apparecchio. I bambini piccoli (3-8 anni) devono essere tenuti lontano dall'apparecchio, a meno che non siano costantemente sorvegliati. I bambini dagli 8 anni in su e le persone con capacità fisiche, sensoriali o mentali ridotte o con scarsa esperienza e conoscenza possono utilizzare questo apparecchio solo se sono sorvegliati o se hanno ricevuto istruzioni per un uso sicuro e ne comprendono i pericoli. I bambini non devono giocare con l'apparecchio. La pulizia e la manutenzione non devono essere effettuate da bambini, a meno che non siano sorvegliati da adulti..

USO CONSENTITO

⚠ ATTENZIONE: L'apparecchio non è destinato ad essere messo in funzione tramite un dispositivo di commutazione esterno, come un timer, o un sistema di comando a distanza separato.

⚠ Questo apparecchio è destinato ad essere utilizzato in applicazioni domestiche e similari quali: cucine per il personale di negozi, uffici e altri ambienti di lavoro; agriturismi; da clienti in hotel, motel, bed & breakfast e altri ambienti residenziali.

⚠ Questo apparecchio non è per uso professionale. Non usare l'apparecchio all'aperto.

⚠ L'apparecchio è progettato per funzionare in luoghi in cui la temperatura ambiente è compresa negli intervalli seguenti, secondo la classe climatica indicata sulla targhetta dati. L'apparecchio potrebbe non funzionare correttamente se lasciato a lungo a una temperatura che non rientra nei valori dell'intervallo specificato.

Classe climatica Temp. amb. (°C)

SN: da 10 a 32 °C; N: da 16 a 32 °C

ST: da 16 a 38 °C; T: da 16 a 43 °C

⚠ Questo apparecchio è privo di CFC. Il circuito refrigerante contiene R600a (HC). Apparecchi con Isobutano (R600a): l'isobutano è un gas naturale senza effetti sull'ambiente, ma è infiammabile. Accertarsi pertanto che i tubi del circuito refrigerante non siano danneggiati, soprattutto durante lo svuotamento del circuito refrigerante.

⚠ AVVERTENZA: Non danneggiare i tubi del circuito refrigerante dell'apparecchio.

⚠ AVVERTENZA: Mantenere libere da ostruzioni le aperture di ventilazione dell'apparecchio o della struttura a incasso.

IMPORTANTE DA LEGGERE E RISPETTARE

⚠ AVVERTENZA: Non utilizzare mezzi meccanici, elettrici o chimici diversi da quelli raccomandati dal fabbricante per accelerare il processo di sbrinamento.

⚠ AVVERTENZA: Non utilizzare o collocare dispositivi elettrici all'interno dei compartimenti dell'apparecchio se non sono del tipo espressamente autorizzato dal fabbricante.

⚠ AVVERTENZA: Le macchine per il ghiaccio e/o i distributori di acqua non collegati direttamente alla rete idrica devono essere riempiti solo con acqua potabile.

⚠ AVVERTENZA: Le macchine del ghiaccio e/o i distributori di acqua automatici devono essere collegati a una rete idrica che eroghi esclusivamente acqua potabile, con una pressione della rete idrica compresa tra 0,17 e 0,81 MPa (1,7 e 8,1 bar).

⚠ Non conservare all'interno dell'apparecchio sostanze esplosive quali bombolette spray con propellente infiammabile.

⚠ Non ingerire il liquido (atossico) contenuto negli accumulatori di freddo (in dotazione con alcuni modelli). Non mangiare cubetti di ghiaccio o ghiaccioli appena tolti dal congelatore per evitare il rischio di ustioni da freddo.

⚠ Per prodotti che prevedono l'utilizzo di un filtro dell'aria all'interno di un coprimentolo accessibile, il filtro deve essere sempre in posizione quando il frigorifero è in funzione.

⚠ Non conservare i contenitori in vetro con liquidi nel comparto congelatore perché potrebbero rompersi. Non ostruire la ventola (se presente) con alimenti. Dopo aver posizionato il cibo controllare che la porta dei compartimenti si chiuda correttamente, specialmente la porta del congelatore.

⚠ Le guarnizioni danneggiate devono essere sostituite il prima possibile.

⚠ Utilizzare il comparto frigorifero solo per conservare gli alimenti freschi e il comparto congelatore solo per conservare gli alimenti surgelati, congelare gli alimenti freschi e preparare cubetti di ghiaccio.

⚠ Evitare di conservare gli alimenti non imballati a diretto contatto con le superfici interne dei compartimenti frigorifero o congelatore. Gli apparecchi potrebbero avere compartimenti speciali (compartimento alimenti freschi, contenitore zero gradi, ecc). Se non specificato nell'apposito libretto del prodotto, possono essere rimossi, mantenendo prestazioni equivalenti.

INSTALLAZIONE

⚠ L'apparecchio deve essere maneggiato e installato da due o più persone - rischio di lesioni. Utilizzare guanti protettivi per disimballare e installare - rischio di tagli.

⚠ L'installazione, compresi eventuali allacciamenti idrici ed elettrici, e le riparazioni devono essere eseguite da un tecnico qualificato. Non riparare o sostituire alcuna parte dell'apparecchio se non espressamente indicato nel manuale d'uso. Tenere i bambini lontano dal luogo di installazione. Dopo aver disimballato l'apparecchio, assicurarsi che non sia stato danneggiato durante il trasporto. In caso di problemi, contattare il rivenditore o l'assistenza post-vendita più vicina. Una volta effettuata l'installazione, i rifiuti di imballaggio (plastica, polistirolo ecc.) devono essere collocati fuori dalla portata dei bambini - rischio di soffocamento. L'apparecchio deve essere scollegato dalla rete elettrica prima di qualsiasi operazione di installazione - pericolo di scossa elettrica. Durante l'installazione, assicurarsi che l'apparecchio non danneggi il cavo di alimentazione - rischio di incendio o scossa elettrica. Attivare l'apparecchio solo al termine dell'installazione.

⚠ Fare attenzione a non danneggiare i pavimenti (per es. parquet) durante lo spostamento dell'apparecchio. Installare l'apparecchio su un pavimento o su un supporto sufficientemente resistente per sopportare il peso e in un luogo adatto alle dimensioni e all'uso. Accertarsi che l'apparecchio non sia vicino a una fonte di calore e che i quattro piedini siano stabili e appoggiati sul pavimento, regolandoli come richiesto, e verificare che l'apparecchio sia perfettamente in piano utilizzando una livella a bolla d'aria. Attendere almeno due ore prima di accendere l'apparecchio per assicurarsi che il circuito refrigerante sia perfettamente funzionante.

⚠ Per garantire un'adeguata ventilazione, lasciare uno spazio su entrambi i lati e sopra l'apparecchio. La distanza tra la parte posteriore dell'apparecchio e la parete retrostante deve essere di 50 mm, per evitare l'accesso alle superfici calde. Una riduzione di questo spazio aumenterà il consumo energetico del prodotto.

⚠ **AVVERTENZA:** Per evitare pericoli dovuti all'instabilità, si deve eseguire il posizionamento o fissaggio dell'apparecchio come da istruzioni del fabbricante. È vietato posizionare il frigorifero in un modo tale che le condutture metalliche di stufe a gas, le tubazioni del gas, i condotti dell'acqua o i cavi elettrici siano a contatto con la parete posteriore del frigorifero (bobina condensatore).

⚠ Se è necessario sostituire le porte, contattare il Centro Assistenza Tecnica.

AVVERTENZE ELETTRICHE

⚠ Deve essere possibile scollegare l'apparecchio dalla rete elettrica staccando la spina se la spina è accessibile, oppure mediante un interruttore multipolare installato a monte della presa in conformità alle norme di cablaggio elettrico e l'apparecchio deve essere collegato a una presa di terra in conformità alle norme nazionali di sicurezza elettrica.

⚠ Non utilizzare prolunghe, prese multiple o adattatori. I componenti elettrici non devono essere accessibili all'utente dopo l'installazione. Non utilizzare l'apparecchio quando si è bagnati o a piedi nudi. Non azionare l'apparecchio se presenta un cavo o una spina di alimentazione danneggiati, se non funziona correttamente o se ha subito danni o è caduto.

⚠ Se il cavo di alimentazione è danneggiato, deve essere sostituito con uno identico da parte del fabbricante, dal personale di assistenza o da una persona qualificata per evitare il rischio di scosse elettriche.

⚠ **AVVERTENZA:** Quando si posiziona l'apparecchio, assicurarsi che il cavo di alimentazione non sia bloccato o danneggiato.


⚠ **AVVERTENZA:** Non collocare prese multiple o alimentatori portatili sul retro dell'apparecchio.

PULIZIA E MANUTENZIONE

⚠ **AVVERTENZA:** Accertarsi che l'apparecchio sia spento e scollegato dalla rete elettrica prima di effettuare qualsiasi operazione di manutenzione; non utilizzare mai pulitori a vapore - rischio di scosse elettriche.

⚠ Non utilizzare detergenti abrasivi o aggressivi come spray per vetri, polveri abrasive, liquidi infiammabili, cere per pulizia, detersivi concentrati, candeggina o detergenti contenenti derivati del petrolio su parti in plastica, rivestimenti interni e porte o guarnizioni. Non utilizzare asciugamani di carta, tamponi abrasivi o altri attrezzi di pulizia aggressivi.


SMALTIMENTO DEI MATERIALI DI IMBALLAGGIO

Il materiale di imballaggio è riciclabile al 100% ed è contrassegnato con il simbolo del riciclo .

Le varie parti dell'imballaggio devono pertanto essere smaltite in modo responsabile e nel pieno rispetto delle norme locali vigenti in materia di smaltimento dei rifiuti.

SMALTIMENTO DI ELETTRODOMESTICI

Questo apparecchio è realizzato con materiali riciclabili o riutilizzabili. Smaltire in conformità alle norme locali per lo smaltimento dei rifiuti. Per ulteriori informazioni sul trattamento, il recupero e il riciclaggio degli elettrodomestici, contattare l'ente locale competente, il servizio di raccolta dei rifiuti domestici o il negozio presso il quale è stato acquistato l'apparecchio. Questo apparecchio è contrassegnato in conformità alla Direttiva Europea 2012/19/UE sui rifiuti di apparecchiature elettriche ed elettroniche (RAEE). Assicurandovi che questo prodotto sia smaltito correttamente, contribuirete ad evitare conseguenze negative per l'ambiente e la salute umana.

Il simbolo  sul prodotto o sulla documentazione di accompagnamento indica che esso non deve essere trattato come rifiuto domestico, ma deve essere portato in un apposito centro di raccolta per il riciclaggio delle apparecchiature elettriche ed elettroniche.

CONSIGLI PER IL RISPARMIO ENERGETICO

Installare l'apparecchio in un ambiente asciutto e ben ventilato lontano da qualsiasi fonte di calore (per es. termosifone, fornello, ecc.) e in un luogo non esposto direttamente al sole. Se necessario, utilizzare una piastra isolante.

Per garantire una ventilazione adeguata seguire le istruzioni di installazione. Una ventilazione insufficiente sul retro del prodotto aumenta il consumo energetico e riduce l'efficienza del raffreddamento. L'apertura frequente della porta potrebbe causare un aumento del consumo energetico. La temperatura interna dell'apparecchio e il consumo di energia possono essere influenzati anche dalla temperatura ambiente e dalla posizione dell'apparecchio. L'impostazione della temperatura deve tenere conto di questi fattori.

Ridurre al minimo l'apertura della porta.

Quando si scongelano i cibi congelati, metterli in frigorifero. La bassa temperatura dei prodotti surgelati raffredda il cibo in frigorifero. Lasciar raffreddare cibi e bevande caldi prima di riporli nell'apparecchio. Il posizionamento dei ripiani in frigorifero non ha alcun impatto sull'uso efficiente dell'energia. Gli alimenti devono essere collocati sui ripiani in modo da garantire una corretta circolazione dell'aria (gli alimenti non devono toccarsi e deve essere mantenuta una distanza tra gli alimenti e la parete posteriore).

È possibile aumentare la capacità di conservazione dei cibi surgelati rimuovendo i cestelli e, se presente, il ripiano Stop Frost.

Eventuali rumori provenienti dal compressore non devono preoccupare in quanto sono da considerarsi normali come descritto nella Guida Rapida del prodotto.



Smaltimento corretto del vecchio frigorifero

AVVERTENZA

Pericolo di soffocamento

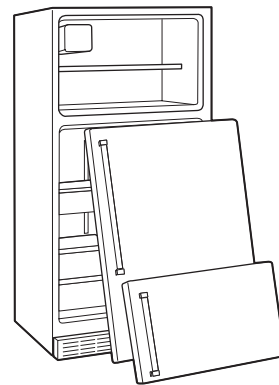
Rimuovere le porte del vecchio frigorifero.

La mancata osservanza di queste istruzioni può essere causa di decesso o danni cerebrali.

IMPORTANTE: gli incidenti fatali che coinvolgono bambini che restano intrappolati negli elettrodomestici non appartengono al passato. I frigoriferi abbandonati o buttati nelle discariche costituiscono ancora oggi un pericolo, anche se lasciati "solo per qualche giorno". Quando si decide di disfarsi del vecchio frigorifero, seguire queste istruzioni per contribuire a evitare incidenti.

Prima di disfarsi del vecchio frigorifero o congelatore:

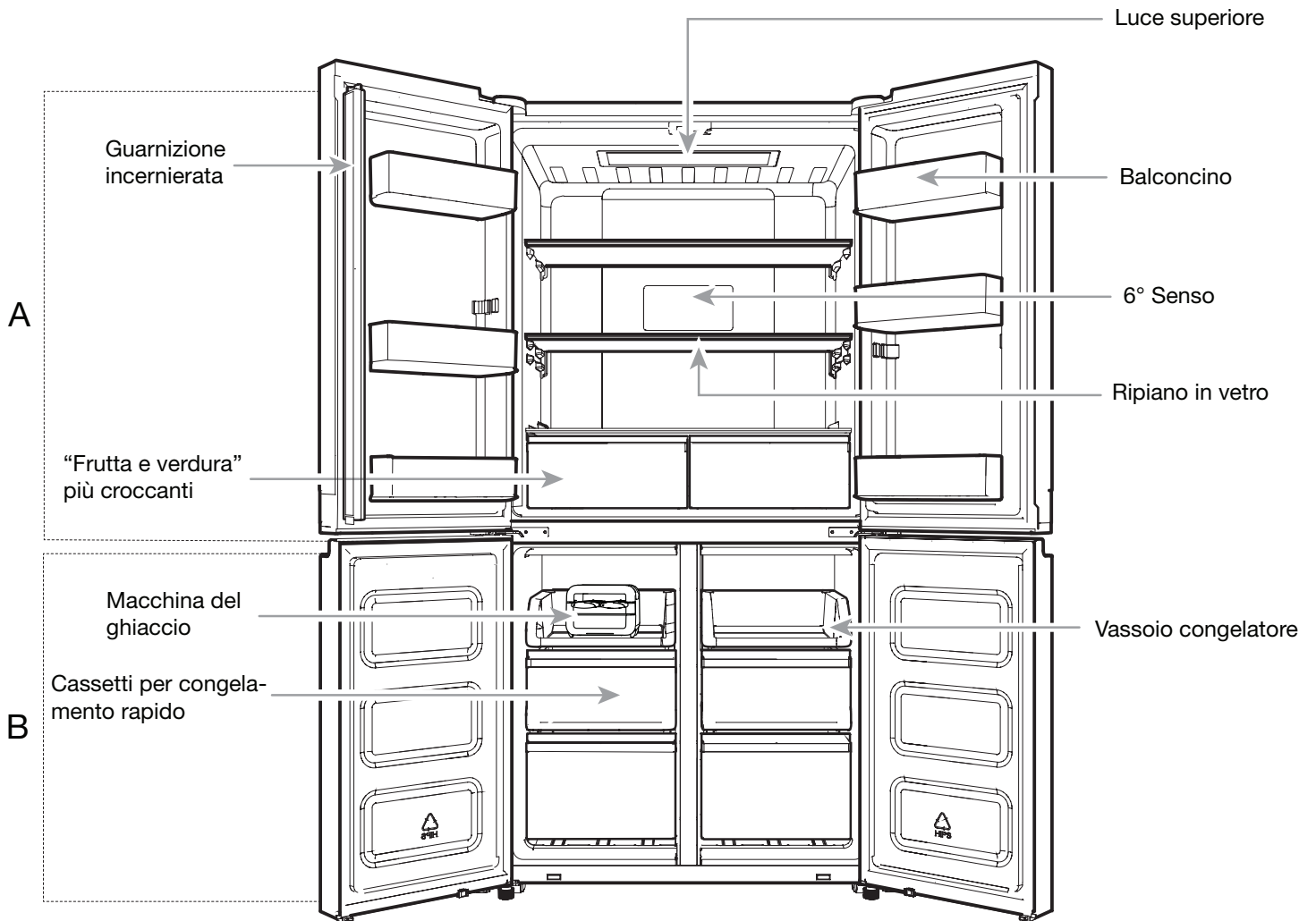
- Togliere le porte.
- Lasciare in sede i ripiani in modo che i bambini non possano accedere facilmente all'interno.



Informazioni importanti sullo smaltimento dei refrigeranti:

Smaltire il frigorifero in conformità alle normative nazionali e locali. I refrigeranti devono essere evacuati da un tecnico autorizzato in conformità alle procedure stabilite.

COMPONENTI E FUNZIONI



- A . Frigorifero
- B . Congelatore
- C . Congelatore flessibile (solo con WQ9 B1L, 6WM24NIHAS e WQ70900SXX)

ISTRUZIONI DI INSTALLAZIONE

Per iniziare

LISTA DI CONTROLLO PER L'INSTALLAZIONE

✓ Corrente elettrica

! AVVERTENZA



Rischio di folgorazione

Inserire la spina in una presa con messa a terra.

Non rimuovere il polo di messa a terra.

Non utilizzare un riduttore.

Non utilizzare prolunghie.

La mancata osservanza di queste istruzioni può essere causa di decesso, incendio o folgorazione.

- Inserire la spina del frigorifero in una presa con messa a terra.

✓ Porte

- Se durante l'installazione occorre rimuovere le porte, vedere le sezioni "Rimuovere e sostituire le porte del frigorifero" e "Rimuovere e sostituire i frontali del cassetto congelatore".
- La guarnizione delle porte isola completamente.
- Il frigorifero è in piano. Regolare i piedini di livellamento in modo che siano aderenti al pavimento.
- Le porte sono allineate in alto. (Usare la funzione Allineamento porte se necessario).

✓ Controlli finali

- Rimuovere tutti i materiali di imballaggio.
- Impostare i comandi di temperatura sui valori consigliati.
- Conservare le istruzioni e l'altra eventuale documentazione.
- Per ricevere un'assistenza più completa, si prega di registrare il prodotto su www.whirlpool.eu/register.

Disimballare il frigorifero

! AVVERTENZA

Pericolo peso eccessivo

Utilizzare due o più persone per spostare e installare il frigorifero.

In caso contrario possono verificarsi lesioni alla schiena o di altro tipo.

Consegna del frigorifero

È necessaria un'apertura porta minima di 838 mm. Se l'apertura della porta è uguale o inferiore a 914 mm occorre rimuovere le porte, il cassetto e le cerniere.

Caricare il frigo su un carrello dal lato in cui aprono le porte.

Quando si sposta il frigorifero:

Il frigorifero è pesante. Quando si sposta il frigorifero per la pulizia o l'assistenza, assicurarsi di coprire il pavimento con cartone o compensato per evitare di danneggiare il pavimento. Spostare sempre il frigorifero mantenendolo diritto. Non far ondeggiare o far "camminare" il frigorifero quando si tenta di spostarlo per evitare di danneggiare il pavimento.

Rimuovere l'imballo

- Rimuovere residui di nastro e colla dalle superfici prima di accendere il frigorifero. Strofinare una piccola quantità di detergente liquido per piatti sull'adesivo con le dita. Sciacquare con acqua tiepida e asciugare.
- Non usare strumenti affilati, strofinare alcol, liquidi infiammabili o detersivi abrasivi per rimuovere il nastro o la colla. Questi prodotti possono danneggiare la superficie del frigorifero.
- Smaltire/riciclare tutti i materiali di imballo.

Pulire prima dell'uso

Dopo aver rimosso tutti i materiali di imballo, pulire l'interno del frigorifero prima di usarlo. Consultare le istruzioni per la pulizia nella sezione "Manutenzione del frigorifero".

Informazioni importanti da sapere sui ripiani e coperchi in vetro:

Non pulire i ripiani o i coperchi in vetro con acqua calda quando sono freddi. I ripiani e i coperchi possono rompersi se esposti a bruschi cambiamenti di temperatura o collisione, ad esempio urtandoli. Il vetro temperato si frantuma in tanti piccoli frammenti delle dimensioni di sassolini. È normale. I ripiani e i coperchi in vetro sono pesanti. Usare entrambe le mani per rimuoverli per evitare di farli cadere.

Requisiti per il posizionamento

⚠ AVVERTENZA

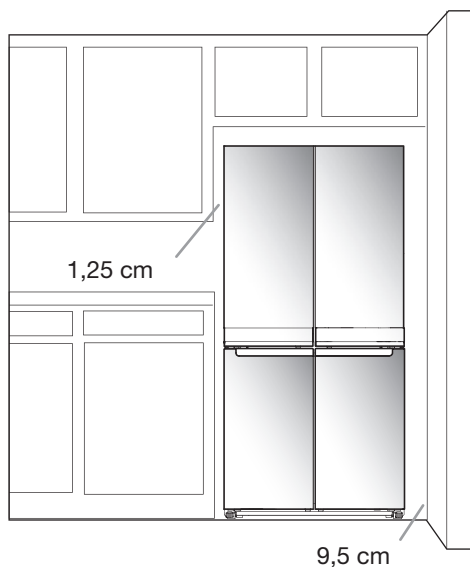


Rischio di esplosione

Tenere lontano dal frigorifero materiali e vapori infiammabili, come per esempio la benzina.
La mancata osservanza di queste istruzioni può essere causa di decesso, esplosione o incendio.

Per assicurare un corretto ricircolo d'aria intorno al frigorifero, lasciare uno spazio di 1,25 cm su ciascun lato e in alto. Lasciare uno spazio di 5 cm dietro il frigorifero. Se il frigorifero è dotato di una macchina del ghiaccio, lasciare più spazio sul retro per i collegamenti del circuito idraulico. Quando si installa il frigorifero accanto a una parete fissa, lasciare almeno 9,5 cm di spazio tra il frigorifero e la parete per consentire l'apertura della porta.

NOTA: Questo frigorifero è destinato all'uso in ambienti con temperature comprese tra un minimo di 10°C e un massimo di 43°C. L'intervallo di temperatura ambiente consigliato per prestazioni ottimali, che riduce il consumo di energia elettrica e fornisce un raffreddamento superiore, è compreso tra 15°C e 32°C. Si raccomanda di non installare il frigorifero vicino a fonti di calore, come forni o radiatori.



Requisiti elettrici

⚠ AVVERTENZA



Rischio di folgorazione

Inserire la spina in una presa con messa a terra.
Non rimuovere il polo di messa a terra.
Non utilizzare un riduttore.
Non utilizzare prolunghe.
La mancata osservanza di queste istruzioni può essere causa di decesso, incendio o folgorazione.

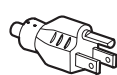
IMPORTANTE: l'installazione e il collegamento elettrico devono essere eseguiti da un tecnico qualificato, in conformità alle istruzioni del fabbricante e conformemente alle norme locali vigenti in materia di sicurezza.

- Il frigorifero è progettato per funzionare su un circuito separato di 220-240 Volt, 10A, 50/60 Hz.
- Assicurarsi che la tensione specificata sulla targhetta dati corrisponda a quella della rete domestica.
- Deve essere possibile disconnettere l'apparecchio dall'alimentazione elettrica disinserendo la spina oppure utilizzando un interruttore bipolare di rete posto a monte della presa.
- Se il cavo di alimentazione è danneggiato, deve essere sostituito dal produttore, da personale di assistenza o da una persona con qualifica analoga per evitare rischi.

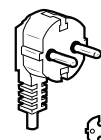
Prima di spostare il frigorifero nella posizione definitiva è importante assicurarsi di disporre di un allacciamento elettrico idoneo.

Metodo di messa a terra raccomandato

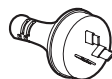
Alimentazione CA 220-240 Volt 50 Hz, 220 Volt 60 Hz o 230/240 Volt 50 Hz a soli 10A con messa a terra.



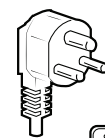
Tipo B



Tipo E ed F



Tipo I



Tipo M



Tipo G

Per Australia e Nuova Zelanda:

Il vostro nuovo elettrodomestico è stato appositamente fabbricato per soddisfare tutte le Normative e condizioni australiane.

Alcune indicazioni nelle istruzioni di installazione possono far riferimento a requisiti elettrici di altri paesi, prestare quindi particolare attenzione a queste note specifiche.

L'apparecchio deve essere collegato a una presa CA 230/240 Volt 50 Hz a soli 10A con messa a terra.

Requisiti elettrici (solo per Gran Bretagna e Irlanda)

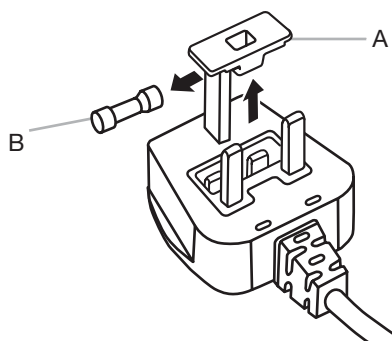
IMPORTANTE: il frigorifero deve essere collegato a terra.

Sostituzione del fusibile

Se il cavo principale di questo frigorifero è dotato di un fusibile BS1363A, presa fusibile 13A, per sostituire un fusibile in questo tipo di presa utilizzare un fusibile A.S.T.A. omologato BS 1362 e procedere come segue:

1. Rimuovere il coprifuosibile (A) e il fusibile (B).
2. Inserire il nuovo fusibile da 13A nel coprifuosibile.
3. Reinserrire fusibile e coprifuosibile nella spina.

IMPORTANTE: quando si cambia il fusibile si deve rimettere in sede anche il coprifuosibile. Se si perde il coprifuosibile la spina non deve essere utilizzata fino a quando non verrà installato un coprifuosibile adatto. La posizione corretta è indicata dall'inserto colorato o dalla "scritta" colorata in rilievo alla base della spina. Nei negozi di ricambi elettrici, sono disponibili coprifuosibili di ricambio.



A. Coprifuosibile
B. Fusibile

Solo per la Repubblica d'Irlanda:

molto spesso sono applicabili le informazioni fornite per la Gran Bretagna, tuttavia viene utilizzato un terzo tipo di spina e relativa presa: a due poli con il polo di terra laterale.

Presa/spina (valide per entrambi i paesi):

Se la spina fornita in dotazione non è adatta alla propria presa, contattare il Servizio Assistenza per ulteriori istruzioni. Non tentare di cambiare da soli la spina. Questa operazione deve essere eseguita da un tecnico qualificato in conformità alle istruzioni del produttore e alle norme vigenti in materia di sicurezza.

Temperatura

L'apparecchio è progettato per il funzionamento in ambienti in cui la temperatura sia compresa nei seguenti intervalli, a seconda della classe climatica riportata sulla targhetta dati. Il frigorifero potrebbe non funzionare correttamente se lasciato a lungo a una temperatura che non rientra nei valori dell'intervallo specificato.

NOTA: Si raccomanda di non installare il frigorifero vicino a una fonte di calore, come una stufa o un termosifone.

Classe climatica	Temp. ambiente (°C)	Temp. ambiente (°F)
SN	Da 10 A 32	Da 50 A 90
N	Da 16 A 32	Da 61 A 90
ST	Da 16 A 38	Da 61 A 100
T	Da 16 A 43	Da 61 A 110

Rimuovere e sostituire le porte del frigorifero

NOTA: misurare la larghezza dell'apertura porta per verificare se è necessario rimuovere le porte del frigorifero per portare in casa l'elettrodomestico. Se è necessario rimuovere le porte, seguire queste istruzioni.

IMPORTANTE: se il frigorifero era già installato e deve essere trasportato all'esterno, spegnere il frigorifero prima di iniziare a rimuovere le porte. Staccare la spina del frigorifero o scollegare l'alimentazione di rete. Togliere gli alimenti e gli sportelli o balconcini rimovibili dalle porte. Preparare gli attrezzi richiesti e leggere tutte le istruzioni prima di rimuovere le porte.

ATTREZZI RICHIESTI: chiave a brugola da 6 mm, chiave a brugola da 5 mm e cacciavite a croce n.2.



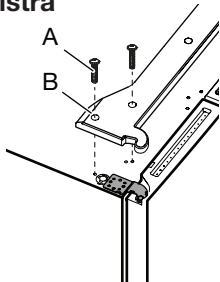
⚠ AVVERTENZA

Rischio di folgorazione

Scollegare l'alimentazione prima di rimuovere le porte.

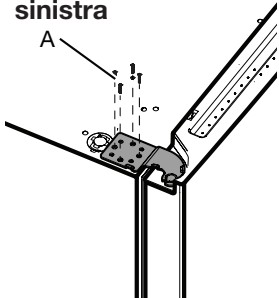
La mancata osservanza di queste istruzioni può essere causa di decesso o di folgorazione.

Copricerniera superiore sinistra



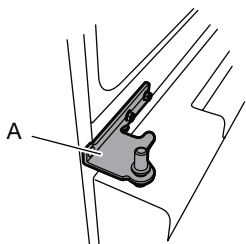
A. Viti copricerniera superiore
B. Copricerniera

Cerniera superiore sinistra



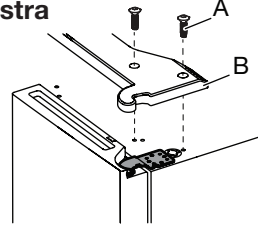
A. Viti a brugola 5 mm

Cerniera mediana sinistra



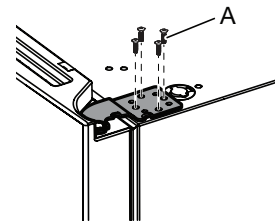
A. Cerniera

Copricerniera superiore destra



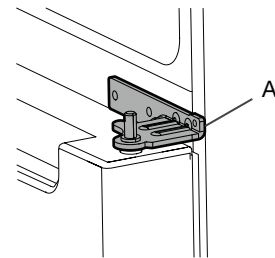
A. Viti copricerniera superiore
B. Copricerniera

Cerniera superiore destra



A. Viti a brugola 5 mm

Cerniera mediana destra



A. Cerniera

⚠ AVVERTENZA

Pericolo peso eccessivo

Utilizzare due o più persone per sollevare la porta del frigorifero.

In caso contrario possono verificarsi lesioni alla schiena o di altro tipo.

Rimuovere le porte del frigorifero

⚠ AVVERTENZA



Rischio di folgorazione

Scollegare l'alimentazione prima di rimuovere le porte.

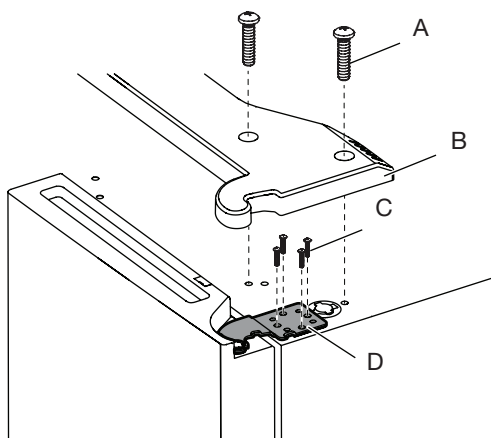
La mancata osservanza di queste istruzioni può essere causa di decesso o di folgorazione.

Rimuovere la porta destra

1. Staccare la spina del frigorifero o scollegare l'alimentazione di rete.
2. Tenere chiuse le porte del frigorifero fino a quando si è pronti per toglierle dal vano frigo sollevandole.

NOTA: sostenere la porta del frigorifero durante la rimozione delle cerniere. Non affidarsi ai magneti sulla guarnizione della porta per il sostegno della porta mentre si lavora.

3. Con un cacciavite a croce, rimuovere il copricerniera superiore.
4. Utilizzando una chiave a brugola da 5 mm, rimuovere quattro viti dalla cerniera superiore e tenerle da parte.



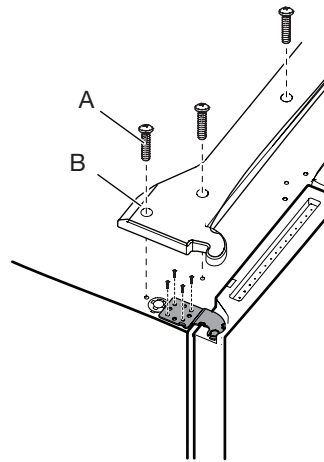
- A. Vite copricerniera superiore
B. Copricerniera superiore
C. Viti a brugola 5 mm
D. Cerniera superiore

5. Sollevare la porta del frigorifero dal perno della cerniera della parte mediana. La cerniera superiore viene via insieme alla porta.

Rimuovere la porta sinistra

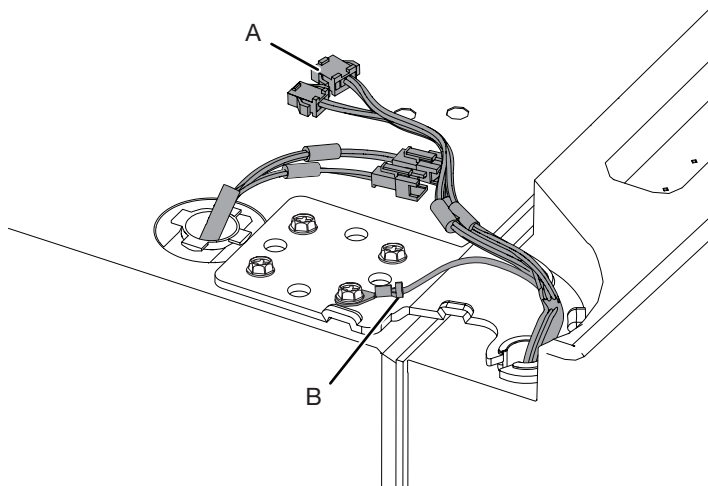
IMPORTANTE: i cablaggi per l'interfaccia passano attraverso la cerniera della porta sinistra quindi devono essere scollegati prima di rimuovere la porta.

1. Con un cacciavite a croce, rimuovere il copricerniera superiore.



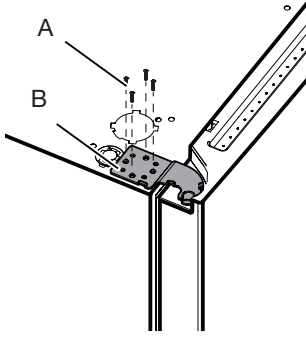
- A. Vite copricerniera superiore
B. Copricerniera superiore

2. Scollegare le due spine del cablaggio situate nella parte superiore della cerniera porta.
 - Afferrare entrambi i lati delle spine del cablaggio. Con il pollice sinistro premere verso il basso per rilasciare il fermo e dividere le sezioni delle spine.



- A. Spina cablaggio
B. Connettore di messa a terra

- Utilizzando una chiave a brugola da 5 mm, rimuovere quattro viti interne dalla cerniera superiore e tenerle da parte.



A. Viti a brugola 5 mm
B. Cerniera superiore

NOTA: sostenere la porta del frigorifero durante la rimozione delle cerniere. Non affidarsi ai magneti sulla guarnizione della porta per il sostegno della porta mentre si lavora.

- Sollevare la porta del frigorifero dal perno della cerniera della parte inferiore. La cerniera superiore viene via insieme alla porta.

NOTA: potrebbe non essere necessario rimuovere le cerniere inferiori e i gruppi piedini frenati per far passare il frigorifero attraverso la porta.

- Utilizzare una chiave a brugola da 6 mm e un cacciavite a croce n. 2 per rimuovere la cerniera centrale solo se necessario.

Sostituire la porta destra del frigorifero

- Poggiare la porta destra sul perno della cerniera centrale.
- Inserire il perno della cerniera superiore nel foro aperto sulla sommità della porta del frigorifero.
- Utilizzando quattro viti con esagono incassato da 5 mm, fissare la cerniera al vano. Non serrare completamente le viti.

Sostituire la porta sinistra del frigorifero

- Poggiare la porta sinistra sul perno della cerniera centrale.
- Utilizzando quattro viti con esagono incassato da 5 mm, fissare la cerniera al vano. Non serrare completamente le viti.
- Ricollegare i cavi elettrici.
 - Spingere insieme le due sezioni della spina dei cablaggi.
 - Ricollegare il filo di terra alla vite della cerniera.

Passaggi finali

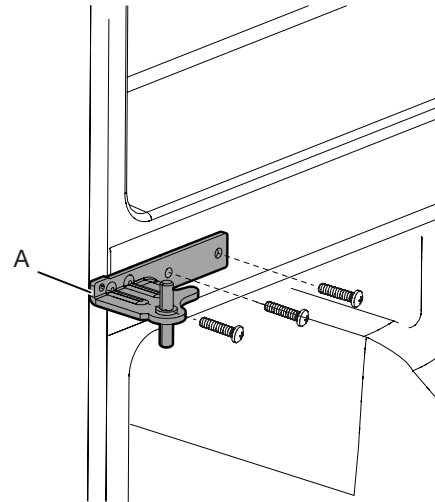
- Serrare completamente le otto viti con esagono incassato da 5 mm.
- Rimontare i due copricerniera.

Rimuovere e sostituire la porta del congelatore/congelamento flessibile

- Tenere chiuse le porte del congelatore fino a quando si è pronti per toglierle dal vano.

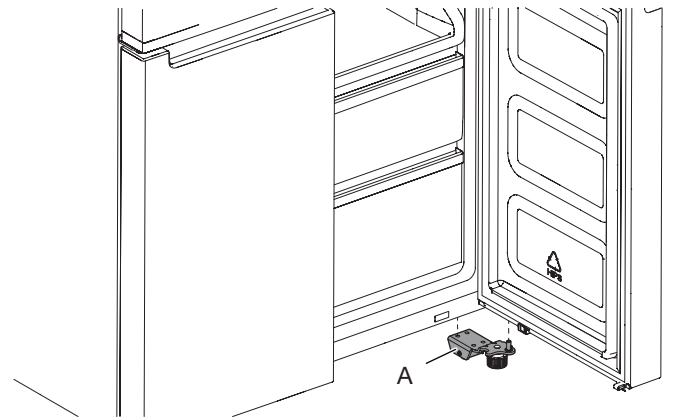
NOTA: sostenere la porta del congelatore durante la rimozione delle cerniere. Non affidarsi ai magneti sulla guarnizione della porta per il sostegno della porta mentre si lavora.

- Utilizzare un cacciavite a croce n. 2 e una chiave a brugola da 6 mm per rimuovere la cerniera centrale dal vano.



A. Cerniera mediana

- Sollevare la porta del congelatore dal perno della cerniera inferiore.



A. Cerniera inferiore

⚠ AVVERTENZA



Rischio di folgorazione

Inserire la spina in una presa con messa a terra.

Non rimuovere il polo di messa a terra.

Non utilizzare un riduttore.

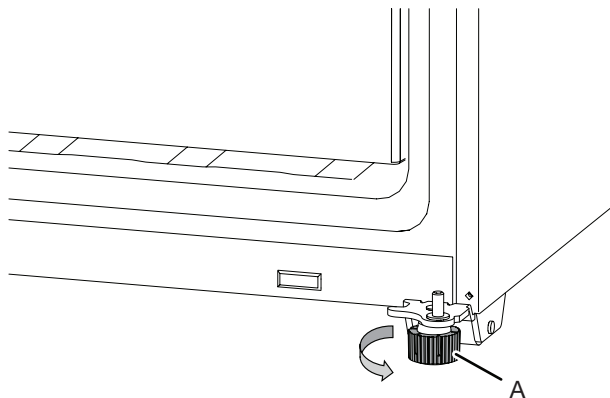
Non utilizzare prolunghe.

La mancata osservanza di queste istruzioni può essere causa di decesso, incendio o folgorazione.

1. Inserire la spina in una presa con messa a terra.
2. Rimettere tutte le parti rimovibili e gli alimenti nei cassetti.

Messa in piano del frigorifero

1. Spostare il frigorifero nella posizione definitiva.
2. Ruotare i piedini frenati con la mano. Ruotarli in senso antiorario fino a quando i rulli si staccano dal pavimento ed entrambi i piedini frenati sono ben fissi sul pavimento. I piedini frenati evitano che il frigorifero venga avanti quando si aprono le porte.



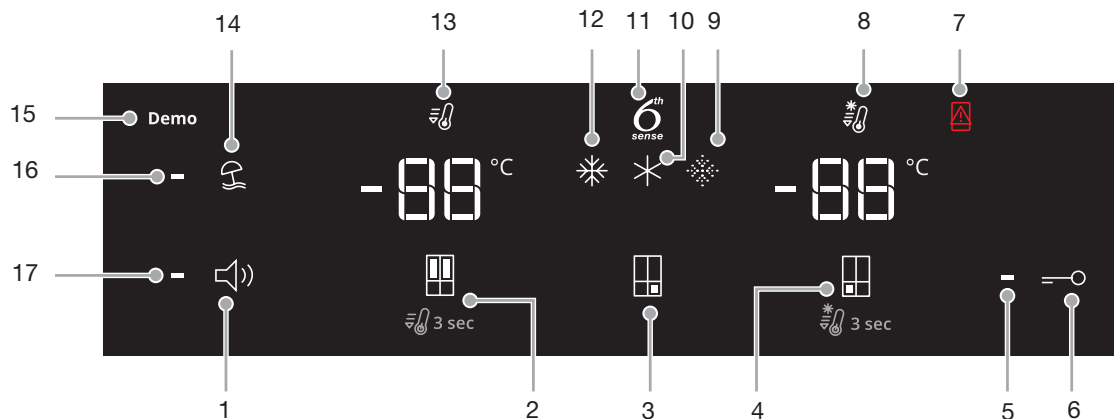
A. Piedino frenato

IMPORTANTE: se occorre eseguire altre regolazioni che coinvolgono i piedini frenati, è necessario ruotare entrambi i piedini frenati in modo uniforme per mantenere in piano il frigorifero.

3. Utilizzare una livella per controllare che i due fianchi e la parte anteriore e quella posteriore siano in piano.

Uso dei comandi

I controlli touch si trovano sulla porta sinistra del frigorifero. Il pannello di controllo contiene informazioni su vari pulsanti e indicatori. Gli indicatori di temperatura del frigorifero e del congelatore mostrano l'ultimo setpoint di temperatura.



1. Pulsante Segnali sonori ON/OFF
2. Pulsante Temperatura Frigorifero (tenere premuto 3 sec. per Raffreddamento rapido)
3. Pulsante Temperatura predefinita Congelamento flessibile (solo con WQ9 B1L, 6WM24NIHAS e WQ70900SXX)
4. Pulsante Temperatura Congelatore (tenere premuto 3 sec. per Congelamento rapido)
5. Indicatore Blocco chiave
6. Pulsante Blocco chiave
7. Spia Porta aperta
8. Indicatore Congelamento rapido
9. Indicatore Congelamento leggero (solo con WQ9 B1L, 6WM24NIHAS e WQ70900SXX)
10. Indicatore Congelamento medio (solo con WQ9 B1L, 6WM24NIHAS e WQ70900SXX)
11. Indicatore 6° senso
12. Indicatore Congelamento tradizionale (solo con WQ9 B1L, 6WM24NIHAS e WQ70900SXX)
13. Indicatore Raffreddamento rapido
14. Pulsante modo Vacanze
15. Indicatore modo Demo (solo con WQ9 B1L, 6WM24NIHAS e WQ70900SXX)
16. Indicatore modo Vacanze
17. Indicatore Segnali sonori

Il pannello di controllo si spegne automaticamente dopo un minuto di inattività. Per accendere il pannello di controllo, premere un tasto qualsiasi.

- 88 Visualizzazione e regolazione dei setpoint di temperatura

Regolazione della temperatura del comparto frigorifero e del comparto congelatore:

Per praticità i comandi del frigorifero e del congelatore sono preimpostati in fabbrica.

Quando si installa il frigorifero per la prima volta assicurarsi che i comandi siano ancora impostati sui setpoint consigliati. I setpoint di fabbrica consigliati sono 3°C per il frigorifero e -18°C per il congelatore.

Premendo il pulsante Temperatura Frigorifero o Congelatore si commutano i setpoint di temperatura in gradi Celsius (°C).

IMPORTANTE:

- attendere 24 ore prima di inserire gli alimenti nel frigorifero. Se si inseriscono alimenti prima che il frigorifero si sia raffreddato completamente, si potrebbero deteriorare.
NOTA: abbassando le temperature al di sotto dei setpoint consigliati non servirà a raffreddare i comparti più rapidamente.
- Se la temperatura del frigorifero o del congelatore è troppo calda o troppo fredda, controllare che le prese d'aria non siano bloccate prima di regolare i comandi.
- Le impostazioni consigliate dovrebbero essere idonee per il normale uso domestico. I comandi sono impostati correttamente se la temperatura del latte o dei succhi di frutta è corretta e quando il gelato è solido.
NOTA: in aree come un garage, un seminterrato o una veranda potrebbero esserci umidità più elevata o temperature estreme. Potrebbe essere quindi necessario modificare la temperatura rispetto a quelle consigliate per adattarle a queste condizioni.
- Attendere almeno 24 ore tra una regolazione e l'altra. Controllare di nuovo le temperature prima di procedere ad altre regolazioni.

6° Comandi 6° Senso Fresh Lock e Congelatore

Il sensore 6° SENSO Fresh Lock garantisce un controllo preciso e costante della temperatura per preservare più a lungo, nel modo più naturale, gli alimenti freschi. Una volta rilevata una variazione di temperatura, il sensore attiva un compressore che ripristina rapidamente la temperatura originale.

Il sensore 6° SENSO Freeze riduce al minimo le fluttuazioni di temperatura nel congelatore grazie ad un innovativo sistema di gestione della temperatura. Le bruciature da freddo sui cibi congelati vengono limitate per preservare la qualità e il colore degli alimenti.

Impostazione del Congelamento flessibile (solo con WQ9 B1L, 6WM24NIHAS e WQ70900SXX)

La funzione Congelamento flessibile consente di commutare le temperature predefinite per il comparto Congelamento flessibile.

Simbolo	Funzione	Temperatura
✱	Congelamento tradizionale	-18°C
✱	Congelamento medio	-12°C
✱	Congelamento leggero	-7°C

* Per attivare/disattivare l'impostazione Più fredda (-20°C), premere il pulsante di Temperatura predefinita del Congelamento flessibile per 3 secondi. Quando l'impostazione Più fredda è attivata, tutte e tre le icone sono accese.

Regolazione dell'impostazione di temperatura multipla

- Congelamento tradizionale (-18°C): Alimenti già surgelati e alimenti freschi (max 12 mesi)
- Congelamento medio (-12°C): Alimenti già surgelati (max 1 mese)
- Congelamento leggero (-7°C): Alimenti già surgelati (max 1 settimana)

- Quando il congelatore flessibile è impostato a -18°C o -20°C, sia la temperatura del congelatore flessibile che quella del congelatore si abbassano fino all'impostazione più fredda, qualunque sia la temperatura del congelatore o del congelatore flessibile.
- La temperatura del comparto congelatore flessibile potrebbe non raggiungere i -7°C quando la temperatura ambiente è intorno a 10°C o meno.

Quando si regolano i setpoint di temperatura, utilizzare questa tabella come guida:

CONDIZIONE	REGOLAZIONE TEMPERATURA:
Frigorifero troppo freddo	Impostazione frigorifero di un 1° in più
Frigorifero troppo caldo	Impostazione frigorifero di un 1° in meno
Congelatore troppo freddo	Impostazione congelatore di un 1° in più
Congelatore troppo caldo/troppo poco ghiaccio	Impostazione congelatore di un 1° in meno


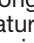
Raffreddamento rapido

La funzione Raffreddamento rapido è utile nei periodi di utilizzo intenso del frigorifero, quando è pieno o per temperature ambiente temporaneamente calde.

- Per attivare la funzione Raffreddamento rapido, tenere premuto il pulsante Temperatura Frigorifero  per 3 secondi. Quando la funzione è attivata, l'icona di Raffreddamento rapido si accende. La funzione Raffreddamento rapido rimane accesa per 2 ore a meno che non venga disattivata manualmente.
- Per disattivare manualmente la funzione Raffreddamento rapido, tenere premuto il pulsante Temperatura Frigorifero  per 3 secondi. L'icona di Raffreddamento rapido si spegne quando la funzione non è attivata.
- Se si regola la temperatura del frigorifero, la funzione Raffreddamento rapido si disattiva automaticamente.

Congelamento rapido

La quantità di cibo fresco (in kg) che può essere congelato in 24 ore è indicata sulla targhetta dell'apparecchio.

- Premere il pulsante Temperatura Congelatore  per 3 secondi (fino a quando l'indicatore di Congelamento rapido si accende), 24 ore prima di mettere cibo fresco nel congelatore. Dopo aver posizionato il cibo fresco nel congelatore, 24 ore sulla funzione Congelamento rapido sono generalmente sufficienti; dopo 50 ore la funzione Congelamento rapido si disattiva automaticamente.
- Per disattivare manualmente la funzione Congelamento rapido, tenere premuto il pulsante Temperatura Congelatore  per 3 secondi. L'icona di Congelamento rapido si disattiva.
- Se si regola la temperatura del congelatore, la funzione Congelamento rapido si disattiva automaticamente.

Modo Vacanze

Questa modalità è progettata per evitare che l'apparecchio sprechi energia nei periodi in cui non viene utilizzato regolarmente (ad esempio durante le ferie).

Selezionando questa funzione, la temperatura del comparto frigorifero verrà impostata automaticamente su 12°C.

- Per utilizzare il modo Vacanze, premere il pulsante corrispondente finché si accende l'indicatore del modo Vacanze sul display.
- Per uscire dal modo Vacanze, premere il pulsante corrispondente finché non sarà più accesa l'icona del modo Vacanze sul display.

- Se si regola la temperatura del frigorifero, la funzione Vacanze si disattiva automaticamente.

IMPORTANTE: se si seleziona questa modalità, tutti i cibi e le bevande devono essere rimossi dal vano frigorifero.

Segnali sonori ON-OFF

Premere il pulsante per attivare/disattivare la segnalazione sonora.

Blocco chiave

- Tenere premuto il pulsante di Blocco 3 secondi per attivare la funzione Blocco.
- Per disattivare il blocco, tenere premuto il pulsante di Blocco per 3 secondi.

La funzione Blocco ignora tutte le interazioni con il pannello di controllo finché l'utente non sblocca il pannello di controllo. Questa funzione consente di evitare modifiche involontarie delle impostazioni.

Modo Demo (solo con WQ9 B1L, 6WM24NIHAS e WQ70900SXX)


Questo modo si utilizza quando il frigorifero è in esposizione in negozio o se si desidera disattivare il raffreddamento e tutte le altre funzioni (ad eccezione della luce interna).

Il modo Demo si può utilizzare quando si parte per una lunga vacanza. Vedere la sezione "Operazioni prima della vacanza e del trasloco" per le operazioni da compiere quando si lascia il frigorifero in questa modalità per lunghi periodi di tempo.

- Se si attiva il modo Demo, sul display si illumina l'icona corrispondente.
- Entrare o uscire dal modo Demo premendo e tenendo premuti contemporaneamente i pulsanti Segnali sonori e Blocco per 3 secondi.

Funzioni aggiuntive

Spia Porta aperta

- La funzione Spia porta aperta emette un allarme e fa lampeggiare l'icona di "Porta aperta"  quando una delle quattro porte è rimasta aperta per almeno 2 minuti.
- L'allarme si ripete ogni 5 minuti. Chiudere tutte le porte per disattivarlo.

NOTA: per silenziare l'allarme sonoro mentre le porte sono aperte, ad esempio durante la pulizia dell'interno del frigorifero, toccare un pulsante qualsiasi sul pannello comandi. L'allarme sonoro viene temporaneamente sospeso, ma l'icona della Porta aperta rimane visualizzata sul pannello comandi.

Luce del frigorifero

Il frigo dispone di una luce interna che si accende quando si apre la porta.

NOTA: la luce è a LED e non serve quindi sostituire la lampadina. Se i LED non si accendono quando si apre la porta, rivolgersi all'assistenza tecnica.

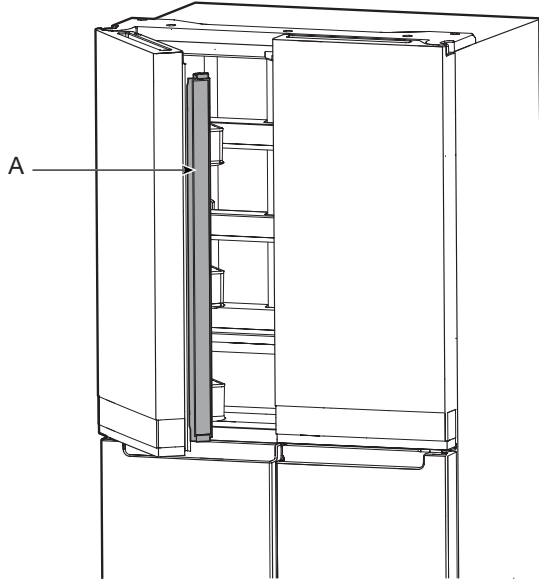
USO DEL FRIGORIFERO

Apertura e chiusura delle porte

Le porte del vano frigorifero sono due. Si possono aprire e chiudere insieme o separatamente. La porta sinistra del frigorifero comprende una guarnizione incernierata verticalmente.

- Quando la porta sinistra viene aperta, la guarnizione incernierata si ripiega automaticamente all'interno in modo da non intralciare.
- Quando entrambe le porte sono chiuse, la guarnizione incernierata forma automaticamente una sigillatura tra le due porte.

NOTA: Quando si chiude la porta, la guarnizione incernierata deve essere nella posizione corretta (ripiegata all'interno). In caso contrario premerà contro la porta destra o la staffa di fissaggio.

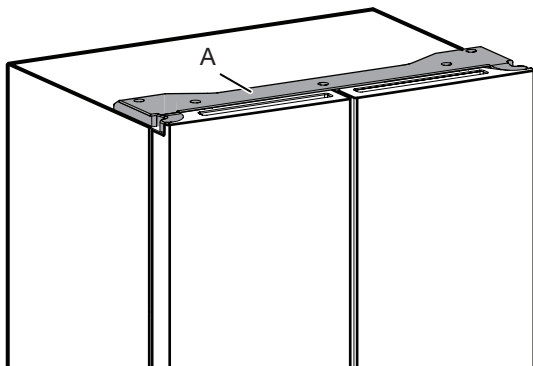


A. Guarnizione incernierata

I due interruttori delle porte del comparto frigorifero si trovano rispettivamente sui copricerniera superiori destro e sinistro.

- Per la zona di congelamento e multi temperatura, l'interruttore della porta si trova nel montante inferiore.
- L'interruttore porta utilizza un magnete per rilevare l'apertura/chiusura della porta.
- Assicurarsi che non vi siano magneti o apparecchi elettronici (altoparlanti, Coolvox® ecc.) entro 7,62 cm dal copricerniera.

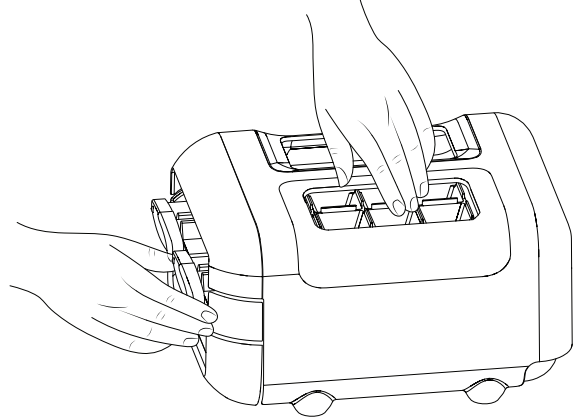
NOTA: la luce non si accende se non viene rilevata l'apertura della porta.



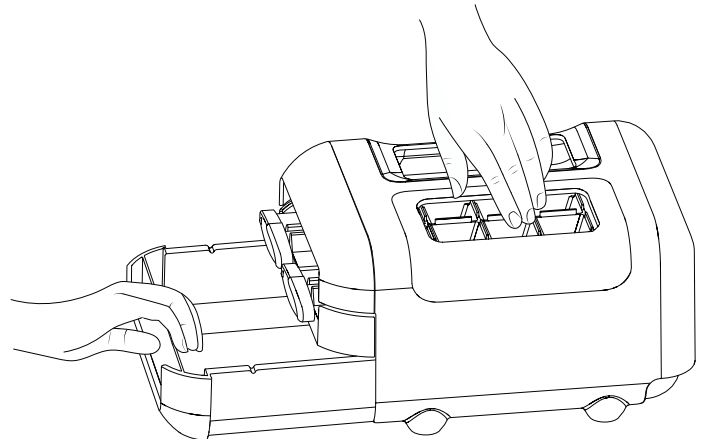
A. Copricerniera

Macchina del ghiaccio

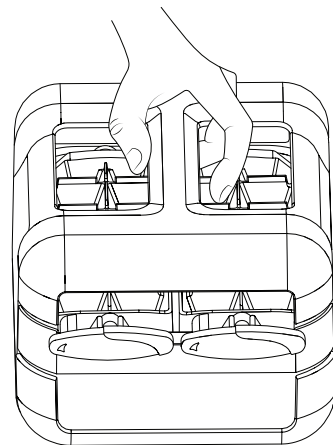
- Per la preparazione del ghiaccio, riempire il vassoio del ghiaccio con acqua purificata e collocare la macchina del ghiaccio manuale nel ripiano superiore del congelatore. Aspettare che si formi il ghiaccio e una volta che il ghiaccio è pronto, girare le manopole in senso orario per espellere i cubetti di ghiaccio nel contenitore del ghiaccio.



- Sollevare leggermente il contenitore del ghiaccio ed estrarre il contenitore per accedere ai cubetti di ghiaccio.



Il gruppo manuale della macchina del ghiaccio può essere rimosso dal congelatore quando non si desidera fare il ghiaccio per ottenere maggior spazio nel congelatore.



Conservazione degli alimenti

Conservazione delle uova

Si raccomanda di conservare le uova a una temperatura costante per mantenerne la freschezza, quindi è meglio conservarle in frigorifero nel ripiano mediano.

RIPIANI, BALCONCINI E CASSETTI

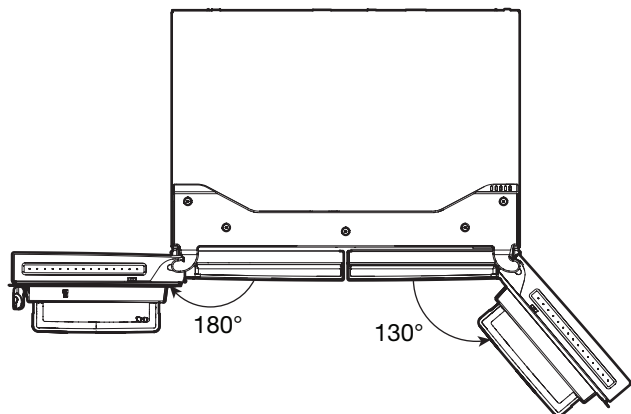
Informazioni importanti da sapere sui ripiani e coperchi in vetro:

Non pulire i ripiani o i coperchi in vetro con acqua calda quando sono freddi. I ripiani e i coperchi possono rompersi se esposti a bruschi cambiamenti di temperatura o collisione, ad esempio urtandoli. Il vetro temperato si frantuma in tanti piccoli frammenti delle dimensioni di sassolini. È normale. I ripiani e i coperchi in vetro sono pesanti. Usare entrambe le mani per rimuoverli per evitare di farli cadere.

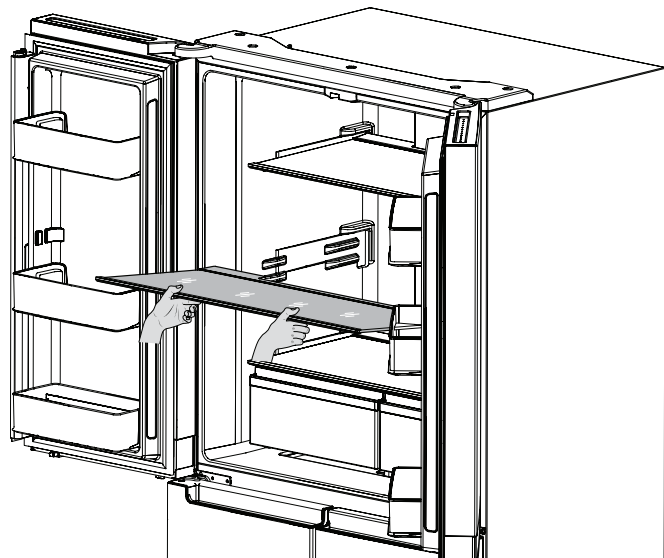
Regolazione altezza ripiano

L'altezza del ripiano può essere regolata cambiando la sua posizione dal supporto inferiore a quello superiore e viceversa.

- Aprire lo sportello laterale destro fino all'apertura completa.
- Aprire la porta laterale sinistra fino all'apertura completa e sollevare la porta per aprirla a 180°.



- Estrarre il ripiano dal frigorifero e posizionarlo nella posizione di montaggio desiderata.



- Assicurarsi che i ripiani siano riposizionati fermamente sui rispettivi supporti.

Ripiani e strutture di supporto dei ripiani

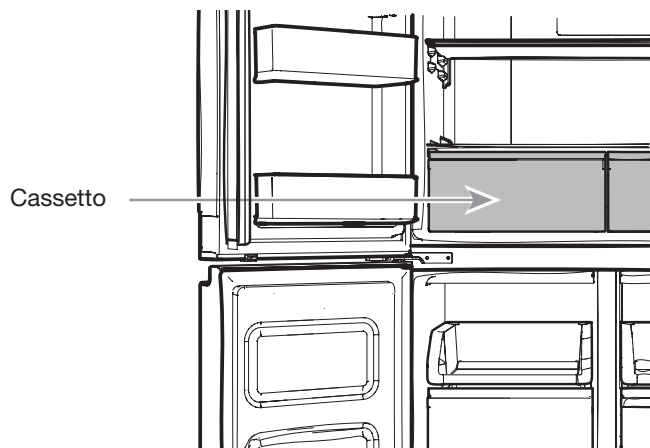
I ripiani del frigorifero sono regolabili per rispondere alle singole esigenze.

Riporre insieme alimenti simili nel frigo e regolare la posizione delle mensole in altezza aiuta trovare subito ciò che si cerca. Si riduce inoltre il tempo in cui le porte restano aperte, a vantaggio del risparmio energetico.

Per rimuovere e reinserire i ripiani:

1. Aprire la porta laterale destra fino all'apertura completa e la porta laterale sinistra fino all'apertura completa e sollevare la porta sinistra per aprirla a 180°.
2. Rimuovere il ripiano mediano o superiore sollevandolo e staccandolo dai supporti ripiano. Tirare quindi il ripiano in avanti e inclinarlo verso il basso in posizione verticale. Ruotare il ripiano in obliquo ed estrarlo dal frigo.
3. Rimuovere il ripiano inferiore sollevandolo e staccandolo dai supporti ripiano. Tirare quindi il ripiano in avanti e inclinarlo verso l'alto in posizione verticale. Ruotare il ripiano in obliquo ed estrarlo dal frigo.
4. Per reinserire i ripiani mediano e superiore introdurli nel frigorifero tenendoli inclinati orizzontalmente con la parte anteriore verso il basso. Alzare quindi la parte anteriore e far scivolare il ripiano all'interno finché la parte posteriore poggia sui supporti. Abbassare la parte anteriore e assicurarsi che il ripiano sia in sede.
5. Per reinserire il ripiano inferiore introdurre il ripiano inclinato orizzontalmente con la parte anteriore verso l'alto. Abbassare quindi la parte anteriore e far scivolare il ripiano all'interno finché la parte posteriore poggia sui supporti. Abbassare la parte anteriore e assicurarsi che il ripiano sia in sede.

Cassetto

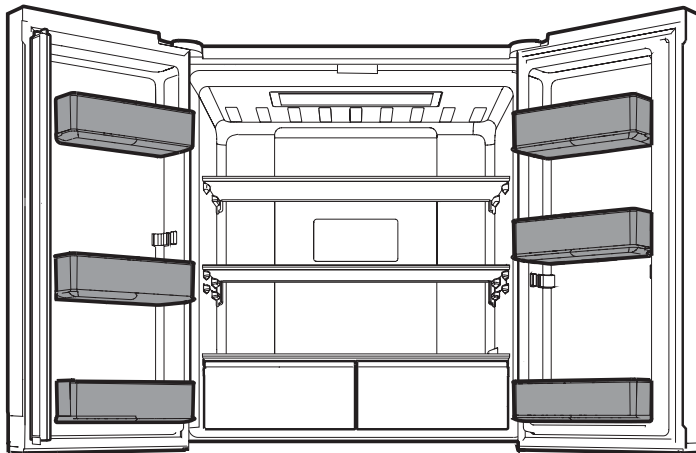


Per rimuovere e reinserire i cassetti:

1. Afferrare la maniglia del cassetto ed estrarlo fino a quando si arresta. Sollevare il cassetto dalla guida inferiore.
2. Per riposizionare/reinserire il cassetto, poggiarlo sulla guida inferiore e spingerlo oltre il fermo finché si blocca in sede.

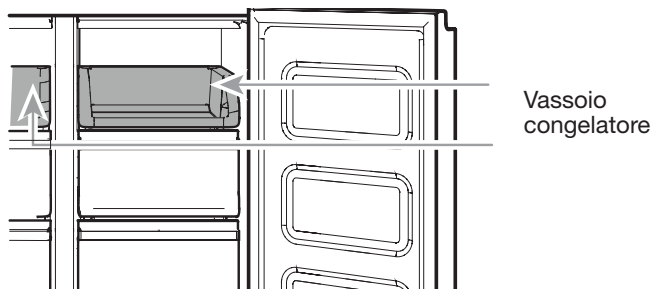
Balconcini del frigorifero

I balconcini sulle porte del frigorifero sono regolabili, per rispondere alle singole esigenze.



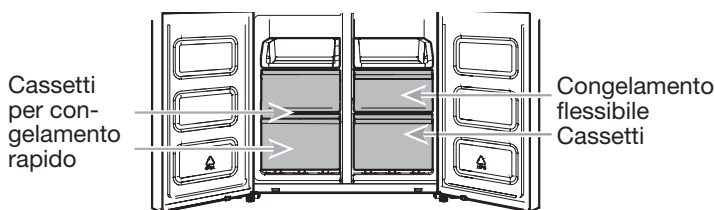
Comparti del congelatore

Vassoio congelatore



Il vassoio del congelatore è utile per accedere facilmente ai prodotti di uso frequente, congelare o semplicemente conservare avanzi o piccoli oggetti.

Cassetti del congelatore



Comparto di Congelamento rapido

- I cassetti di Congelamento rapido permettono di conservare comodamente oggetti di grande volume.
- L'opzione Congelamento rapido consente di conservare tutti gli alimenti surgelati in modo sicuro e trasparente.

NOTA: La temperatura del congelatore si potrebbe raffreddare fino a coincidere con quella del comparto Congelatore flessibile, qualora il congelatore sia impostato su una temperatura più elevata rispetto al comparto Congelatore flessibile.

Comparto Congelamento flessibile (solo con WQ9 B1L, 6WM24NIHAS e WQ70900SXX)

Il comparto Congelamento flessibile consente di selezionare uno dei tre livelli di temperatura del congelatore: -7°C , -12°C , -18°C e -20°C per garantire le migliori condizioni di conservazione per i diversi tipi di alimenti.

Per massimizzare la capacità del congelatore, è possibile rimuovere il cassetto per accedere al ripiano.

Per rimuovere il cassetto superiore:

1. Afferrare la maniglia del cassetto ed estrarlo fino a quando si arresta. Sollevare il cassetto dalla guida inferiore.
2. Per riposizionare/reinserire il cassetto, poggiarlo sulla guida inferiore e spingerlo oltre il fermo del cassetto finché si ferma in sede.

Ripiano del congelatore (solo con WQ9 E1L e WQ9 B1L)

Per ottimizzare la capacità del congelatore è possibile rimuovere il cassetto mediano per accedere al ripiano sottostante del congelatore. In questo modo è possibile caricare gli alimenti direttamente sul ripiano.

Spiegazione dei segnali sonori

Assegnazione tono

Nome tono	Esempi di utilizzo
Accensione	L'impianto di raffreddamento si attiva ogni volta che il prodotto si accende.
Pressione tasti	L'utente ha premuto un tasto valido.
Non valido (errore)	L'utente preme due o più pulsanti validi contemporaneamente. Interruzione del conto alla rovescia per i pulsanti da tenere premuti.
Operazione eseguita	Riconoscimento di entrata in qualsiasi modalità.
Uscita	Conferma dell'uscita da una modalità.
Avviso	Avviso di apertura porta.

Questa tabella serve solo come riferimento rapido. Per i dettagli consultare le sezioni corrispondenti. In caso di incongruenze vale quanto descritto nelle varie sezioni.

Accessori

Per ordinare gli accessori, rivolgersi al rivenditore presso cui è stato acquistato il frigorifero.

Servizio di assistenza

Prima di rivolgersi al servizio di assistenza consultare la sezione "Risoluzione dei problemi". Potrebbe farvi risparmiare il costo della chiamata all'assistenza. Se il problema non è risolvibile seguire le istruzioni seguenti.

Se occorrono parti di ricambio

Per sapere dove trovare ricambi di fabbrica specifici localmente, rivolgersi al rivenditore presso cui è stato acquistato il frigorifero.

Garanzia

Per informazioni sulla garanzia contattare il rivenditore presso cui è stato acquistato il frigorifero.

Conservare questo manuale e la ricevuta d'acquisto insieme per futuro riferimento. Per usufruire del servizio di garanzia è necessario fornire la prova d'acquisto o la data di installazione.

Scrivere le seguenti informazioni relative all'apparecchio per ricevere assistenza o manutenzione qualora ve ne fosse bisogno. Servirà il numero del modello e il numero di serie completi. Queste informazioni sono riportate nell'etichetta sulla parete interna del comparto frigorifero.

Nome rivenditore _____

Numero di serie _____

Indirizzo _____

Numero telefonico _____

Numero modello _____

Data di acquisto _____

MANUTENZIONE DEL FRIGORIFERO

Pulizia

AVVERTENZA



Rischio di esplosione

Usare detersivi non infiammabili.

la mancata osservanza potrebbe essere causa di decesso, esplosione o incendio.

Tutte le sezioni Frigorifero, Congelatore e Congelamento flessibile (solo con WQ9 B1L, 6WM24NIHAS e WQ70900SXX) si sbrinano automaticamente. Tuttavia, pulire tutte le sezioni circa una volta al mese per evitare la formazione di odori. In caso di versamento di liquidi, asciugare subito.

Pulizia dell'esterno

Consultare le informazioni per la pulizia esterna specifiche per il proprio modello.

Tipo 1 – Porta liscia

IMPORTANTE: i danni alla finitura liscia dovuti all'uso improprio di prodotti di pulizia o all'uso di detersivi non raccomandati non sono coperti dalla garanzia. Strumenti affilati o duri graffiano la finitura.

USARE	NON USARE
✓ Panno morbido, pulito	✗ Panni abrasivi ✗ Tovaglioli di carta o carta da giornale ✗ Tamponi in lana di acciaio
✓ Soluzione di acqua calda con detersivo delicato	✗ Polveri o liquidi abrasivi ✗ Spray lavavetri ✗ Ammoniaca ✗ Detersivi a base di acido o aceto ✗ Detersivi per forni ✗ Liquidi infiammabili

NOTA: la carta da cucina graffia e può opacizzare il rivestimento chiaro della porta verniciata. Per evitare possibili danni usare solo panni morbidi e puliti per lucidare e pulire le porte.

Tipo 2 – Acciaio inox

IMPORTANTE:

- Usare esclusivamente i panni e i detersivi per acciaio consigliati. I danni alla finitura in acciaio inossidabile dovuti all'uso improprio di prodotti di pulizia o all'uso di detersivi non raccomandati non sono coperti dalla garanzia.
- Evitare di esporre gli elettrodomestici in acciaio inossidabile a elementi caustici o corrosivi come ambienti altamente salini, ad elevata condensa o umidità. I danni dovuti all'esposizione a questi elementi non sono coperti da garanzia.

USARE	NON USARE
✓ Panno morbido, pulito	✗ Panni abrasivi ✗ Tovaglioli di carta o carta da giornale ✗ Tamponi in lana di acciaio
✓ Soluzione di acqua calda con detersivo delicato	✗ Polveri o liquidi abrasivi ✗ Ammoniaca ✗ Detersivi a base di agrumi ✗ Detersivi a base di acido o aceto ✗ Detersivi per forni
✓ Per sporco resistente usare esclusivamente un detersivo per acciaio specifico per gli elettrodomestici. Per ordinare il detersivo, rivolgersi al rivenditore presso cui è stato acquistato il frigorifero.	✗ Il detersivo per acciaio è solo per le parti in acciaio. Non far entrare in contatto il detersivo e lucidare per acciaio inox con parti in plastica come le finiture, i coperchi dell'erogatore o le guarnizioni delle porte.

Tipo 3 – Acciaio anti impronte

IMPORTANTE:

- Evitare di esporre gli elettrodomestici in acciaio inossidabile a elementi caustici o corrosivi come ambienti altamente salini, ad elevata condensa o umidità. I danni dovuti all'esposizione a questi elementi non sono coperti da garanzia.

USARE	NON USARE
✓ Panno morbido, pulito	✗ Panni abrasivi ✗ Tovaglioli di carta o carta da giornale ✗ Tamponi in lana di acciaio
✓ Soluzione di acqua calda con detersivo delicato	✗ Polveri o liquidi abrasivi ✗ Spray lavavetri ✗ Ammoniaca ✗ Detersivi a base di acido o aceto ✗ Detersivi per forni ✗ Liquidi infiammabili

NOTE:

- In caso di contatto accidentale pulire le parti in plastica con una spugna e una soluzione di detersivo delicato e acqua calda. Asciugare bene con un panno morbido.
- Solo perché un detersivo è liquido non significa che non sia non-abrasivo. Molti detersivi liquidi formulati per essere delicati sulle piastrelle e le superfici lisce, di fatto danneggiano l'acciaio inossidabile.
- L'acido citrico macchia in modo permanente l'acciaio.
- Per evitare di danneggiare la finitura in acciaio inox del frigorifero:

Evitare che queste sostanze rimangano sulla finitura:

- ✗ Senape
- ✗ Salse a base di agrumi
- ✗ Succo di pomodoro
- ✗ Prodotti a base di agrumi
- ✗ Sugo al pomodoro

Pulizia dell'interno

1. Staccare la spina del frigorifero o scollegare l'alimentazione di rete.
2. Lavare a mano, sciacquare e asciugare tutte le parti rimovibili e le superfici interne. Usare una spugna pulita o un panno morbido e un detersivo delicato diluito in acqua calda.
NOTA: non usare detersivi abrasivi o aggressivi come spray per vetri, polveri abrasive, liquidi infiammabili, cere per pulizia, detersivi concentrati, candeggina o detersivi contenenti derivati del petrolio sulle parti in plastica, l'interno, l'interno delle porte o le guarnizioni.
3. Inserire la spina del frigorifero o ricollegare l'alimentazione.

Condensatore

Questo frigorifero è dotato di condensatore a nastratura di serpentine preformate nei fianchi del mobile frigorifero. È normale sentire caldo su entrambi i lati.

Luci

Le luci nei compartimenti frigo e congelatore sono a LED e non necessitano di sostituzione. Se quando si apre la porta le luci non si accendono, contattare il rivenditore presso cui è stato acquistato il frigorifero.

Inutilizzo e trasporto

Vacanze

Se si decide di lasciare acceso il frigorifero mentre si è in vacanza:

1. Consumare tutti i deperibili e congelare il resto.
2. Se il frigorifero è dotato di una macchina del ghiaccio automatica ed è collegato alla rete idrica, chiudere il rubinetto di alimentazione del frigorifero. Se il rubinetto non viene chiuso si possono causare danni alla proprietà.
3. Se si dispone di una macchina del ghiaccio automatica, spegnere la macchina del ghiaccio.
 - Portare su spento (O) l'interruttore della macchina del ghiaccio integrata nella porta.
4. Vuotare il cestello del ghiaccio.

Se si decide di spegnere il frigorifero prima di partire:

NOTA: Impostare il frigorifero in modalità Demo per il periodo in cui si sarà assenti. Vedere la sezione "Uso dei comandi".

1. Rimuovere tutti gli alimenti dal frigorifero.
2. Se il frigorifero è dotato di una macchina del ghiaccio automatica:
 - Chiudere il rubinetto di alimentazione dell'acqua alla macchina del ghiaccio almeno un giorno prima.
 - Quando viene prodotto l'ultimo carico di ghiaccio portare l'interruttore su spento (O) in modo che il display in alto all'interno del frigorifero si spenga, in base al modello.
3. Vuotare il cestello del ghiaccio.
4. Spegnere i comandi di temperatura. Vedere la sezione "Uso dei comandi".
5. Pulire il frigo, passarlo con un panno umido e asciugare bene.
6. Applicare con nastro di carta spessori di gomma o di legno nella parte superiore delle porte, in modo che restino aperte per far circolare l'aria. Si eviterà la formazione di muffa e cattivi odori.

Trasloco

Se si deve trasportare il frigorifero in una nuova casa, seguire questa procedura per preparare il frigo al trasloco.

1. Se il frigorifero è dotato di una macchina del ghiaccio automatica:
 - Chiudere il rubinetto di alimentazione dell'acqua alla macchina del ghiaccio almeno un giorno prima.
 - Scollegare la linea dell'acqua dal retro del frigorifero.
 - Quando viene prodotto l'ultimo carico di ghiaccio portare l'interruttore su spento (O) sulla macchina del ghiaccio o sui comandi, a seconda del modello.
2. Togliere tutti gli alimenti dal frigorifero e radunare tutti i congelati in un imballo con ghiaccio secco.
3. Vuotare il cestello del ghiaccio.
4. Scollegare la spina del frigorifero.
5. Pulire, passare con un panno umido e asciugare bene.
6. Togliere tutte le parti rimovibili, incartarle accuratamente e fissarle insieme con nastro adesivo in modo che non si spostino e non traballino durante il trasloco.
7. In base al modello, sollevare la parte anteriore del frigorifero in modo che scorra meglio sui rulli o sollevare le viti di messa in piano in modo che non graffino il pavimento. Consultare le sezioni "Regolare le porte" o "Messa in piano del frigorifero e chiusura porte".
8. Fissare con nastro adesivo le porte chiuse e il cavo di alimentazione sul retro del frigorifero.

Una volta nella nuova casa, rimettere tutto a posto e fare riferimento alla sezione "Istruzioni di installazione" per preparare il frigorifero. Inoltre, se il frigorifero è dotato di una macchina del ghiaccio automatica, collegare la rete idrica al frigo.

RISOLUZIONE DEI PROBLEMI

Provare le soluzioni indicate di seguito prima di contattare l'assistenza.

⚠ AVVERTENZA



Rischio di folgorazione

Inserire la spina in una presa con messa a terra.

Non rimuovere il polo di messa a terra.

Non utilizzare un riduttore.

Non utilizzare prolunghe.

La mancata osservanza di queste istruzioni può essere causa di decesso, incendio o folgorazione.

Problema	Cause possibili	Soluzione
Funzionamento del frigorifero		
Il frigorifero non funziona.	Controllare l'alimentazione elettrica.	Inserire il cavo di alimentazione in una presa con messa a terra.
		Non utilizzare prolunghe.
		Accertarsi che la presa sia alimentata. Collegare una lampada per verificare che la presa funzioni.
		Resettare l'interruttore di circuito scattato. Sostituire eventuali fusibili bruciati. NOTA: se il problema persiste rivolgersi a un elettricista.
	Controllare i comandi.	Assicurarsi che i comandi siano accesi. Vedere la sezione "Uso dei comandi".
	Nuova installazione.	Attendere 24 ore dopo l'installazione affinché il frigorifero si raffreddi completamente. NOTA: regolare i comandi di temperatura sui valori più bassi non serve a raffreddare più rapidamente nessun comparto.
	I comandi del frigorifero sono in modalità Demo (su alcuni modelli).	Se il frigorifero è in modalità Demo, il raffreddamento è disattivato e sul pannello comandi si illumina la dicitura "Demo". Per ulteriori informazioni vedere la sezione "Uso dei comandi".
Il motore sembra rimanere in funzione troppo a lungo.	Ventole e compressore ad alta efficienza.	I frigoriferi più grandi ed efficienti rimangono in funzione più a lungo a velocità più ridotte con velocità più efficienti dal punto di vista dei consumi.
	La temperatura ambiente o esterna è molto calda.	È normale che il frigorifero rimanga in funzione più a lungo in queste condizioni. Per prestazioni ottimali, posizionare il frigorifero in un ambiente interno con temperatura controllata. Consultare la sezione "Requisiti dell'ambiente di installazione".
	Di recente è stata aggiunta una grande quantità di alimenti.	L'introduzione di cibo a temperatura ambiente causa il funzionamento prolungato del frigorifero che deve raffreddare l'aria fino alla temperatura desiderata.
	Le porte vengono aperte troppo spesso o rimangono aperte troppo a lungo.	L'aria più calda che entra nel frigorifero fa sì che il motore di raffreddamento funzioni più a lungo. Aprire la porta meno di frequente.
	La porta del frigorifero o il cassetto del congelatore sono aperti.	Assicurarsi che il frigorifero sia in piano. Consultare la sezione "Messa in piano del frigorifero e chiusura porte". Evitare che alimenti o contenitori blocchino la porta.
	Il frigorifero è impostato su una temperatura troppo bassa.	Regolare il comando del frigorifero su un'impostazione meno fredda fino a raggiungere la temperatura desiderata.
	La guarnizione della porta o del cassetto è sporca, usurata o rotta.	Pulire o cambiare la guarnizione. Se vi sono perdite nella guarnizione della porta, il frigorifero rimane in funzione più a lungo per mantenere la temperatura desiderata.

RISOLUZIONE DEI PROBLEMI

Provare le soluzioni indicate di seguito prima di contattare l'assistenza.

Problema	Cause possibili	Soluzione
Le luci non funzionano.	Il frigorifero è dotato di illuminazione a LED che non necessita di sostituzione.	Se il frigorifero riceve alimentazione e le luci non si accendono quando si apre una porta o il cassetto, rivolgersi al servizio di assistenza.
	Le porte sono rimaste aperte per più di 10 minuti.	Chiudere le porte e il cassetto per resettare il sistema, quindi aprirli per riattivare le luci.
	L'interruttore della porta non rileva l'apertura della porta.	Assicurarsi che non vi siano magneti o apparecchi elettronici entro 7,62 cm dal coperchio della cerniera.
L'interfaccia del controllo temperatura non si accende.	L'interfaccia del controllo temperatura è disattivata.	Premere un pulsante qualsiasi dell'interfaccia per riattivare l'interfaccia del controllo temperatura.
	I pulsanti dell'interfaccia del controllo temperatura non funzionano correttamente.	Provare ad accendere e spegnere il frigorifero per resettare i pulsanti. Se il problema persiste, rivolgersi ad servizio assistenza.
	L'interfaccia del controllo temperatura non riceve alimentazione.	Controllare il cablaggio della cerniera della porta.
Impossibile regolare l'impostazione dall' interfaccia di controllo temperatura.	La porta è aperta e viene attivato l'allarme laterale della porta.	Chiudere lo sportello.
Rumore insolito		
Per ascoltare i normali rumori emessi dal frigorifero, andare alla sezione Guida del prodotto/Domande frequenti del sito web della marca corrispondente e cercare i "rumori normali". Di seguito sono elencati alcuni rumori normali con le relative spiegazioni.		
Il frigorifero sembra rumoroso.	Il compressore del vostro nuovo frigorifero regola la temperatura in modo più efficiente utilizzando meno energia, di conseguenza il suo funzionamento è più silenzioso in generale.	La riduzione della rumorosità può far sì che si notino meglio altri rumori non familiari, ma che sono del tutto normali.
Il rumore del compressore si sente più a lungo del previsto.	Ventole e compressore ad alta efficienza.	I frigoriferi più grandi ed efficienti rimangono in funzione più a lungo a velocità più ridotte con velocità più efficienti dal punto di vista dei consumi.
Rumore pulsante/brusio	Le ventole/compressore si regolano per ottimizzare le prestazioni durante il normale funzionamento del compressore	È normale.
Scoppiettii	Contrazione/espansione delle pareti interne, in particolare durante il raffreddamento iniziale.	È normale.
Fischi/gocciolamento	Flusso del refrigerante o flusso dell'olio del compressore.	È normale.
Vibrazione	Il frigorifero potrebbe non essere stabile.	Regolare le viti di messa in piano e abbassare i piedini saldamente contro il pavimento. Consultare la sezione "Messa in piano del frigorifero e chiusura porte".
Sfrigolio	Acqua che gocciola sulla resistenza durante il ciclo di sbrinamento.	È normale.
Acqua che scorre/gorgoglii	Si possono sentire quando il ghiaccio si scioglie durante il ciclo di sbrinamento e l'acqua scorre nella vaschetta di raccolta.	È normale.

RISOLUZIONE DEI PROBLEMI

Provare le soluzioni indicate di seguito prima di contattare l'assistenza.

Problema	Cause possibili	Soluzione
Temperatura e condensa		
La temperatura è troppo alta.	Il frigorifero è appena stato installato.	Attendere 24 ore dopo l'installazione affinché il frigorifero si raffreddi completamente.
	I comandi non sono impostati correttamente per le condizioni ambientali.	Regolare il comandi su una temperatura più fredda. Controllare la temperatura dopo 24 ore. Vedere la sezione "Uso dei comandi".
	Le porte vengono aperte troppo spesso o non sono completamente chiuse. Lasciano entrare aria calda nel frigorifero.	Aprire le porte il meno possibile e chiuderle completamente.
	Sono stati introdotti molti alimenti di recente.	Attendere qualche ora perché il frigorifero torni alla sua temperatura normale.
	Il modo Demo è attivo.	Disattivare il modo Demo. Vedere la sezione "Uso dei comandi".
	Il modo Vacanze è attivo.	Disattivare il modo Vacanze. Vedere la sezione "Uso dei comandi".
La temperatura nel frigorifero/ cassetto frutta e verdura è troppo fredda.	Le prese d'aria del frigo sono bloccate.	Se la presa d'aria del frigo, che si trova al centro della parete posteriore interna del frigo, è coperta da oggetti poggiati direttamente davanti, il frigo si raffredda eccessivamente. Allontanare gli oggetti dalla presa d'aria.
	I comandi non sono impostati correttamente per le condizioni ambientali.	Regolare il comandi su una temperatura più calda. Controllare la temperatura dopo 24 ore. Vedere la sezione "Uso dei comandi".
La temperatura nel cassetto a temperatura controllata è troppo bassa.	Il comando non è impostato correttamente per gli elementi conservati nel cassetto.	Regolare l'impostazione della temperatura. Vedere la sezione "Uso dei comandi" in "Uso del frigorifero".
C'è accumulo di umidità all'interno. NOTA: L'accumulo di un po' di umidità è normale.	L'ambiente è umido.	Un ambiente umido contribuisce alla formazione di condensa.
	Le porte vengono aperte troppo spesso o non sono completamente chiuse. Lasciano entrare l'umidità nel frigorifero.	Aprire le porte il meno possibile e chiuderle bene.
	Le porte sono bloccate in posizione aperta.	Allontanare le confezioni di alimenti dalla porta.
	Un balconcino o un ripiano intralciano la chiusura.	Spingere il balconcino o il ripiano nella posizione corretta.
	Riporre i liquidi in recipienti aperti.	In questo caso aumenta l'umidità all'interno del frigorifero. Chiudere bene tutti i contenitori.
C'è formazione di brina/ghiaccio nel comparto congelatore.	La porta viene aperta spesso o è stata lasciata aperta.	Aprire la porta il meno possibile e chiuderla completamente dopo l'uso.
	La guarnizione della porta non è in buono stato.	Assicurarsi che le guarnizioni delle porte aderiscano completamente al vano frigorifero per fornire un isolamento adeguato.
	I comandi di temperatura non sono impostati correttamente.	Vedere la sezione "Uso dei comandi" per le impostazioni di temperatura consigliate.

RISOLUZIONE DEI PROBLEMI

Provare le soluzioni indicate di seguito prima di contattare l'assistenza.

⚠ AVVERTENZA

Rischio di esplosione Usare detergenti non infiammabili. la mancata osservanza potrebbe essere causa di decesso, esplosione o incendio.

Per visualizzare un'animazione che mostra come regolare e allineare le porte, far riferimento alla sezione Guida del prodotto/Domande frequenti del sito web della marca corrispondente e cercare "Chiusura porte e allineamento porte".

Problema	Cause possibili	Soluzione
Porte		
Le porte non si chiudono completamente.	La porta è bloccata in posizione aperta.	Allontanare le confezioni di alimenti dalla porta.
	Un balconcino o un ripiano intralciano la chiusura.	Spingere il balconcino o il ripiano nella posizione corretta.
	Installato di recente	Rimuovere tutti i materiali di imballaggio.
È difficile aprire le porte.	Le guarnizioni delle porte sono sporche o appiccicose.	Pulire le guarnizioni e le superfici di contatto con sapone delicato e acqua calda. Sciacquare e asciugare con un panno.
Le porte sembrano disassate.	Le porte devono essere allineate oppure il frigorifero deve essere messo in piano.	Se è necessario allineare le porte, rivolgersi all'assistenza.
Il frigorifero sembra instabile o viene avanti quando si aprono e chiudono le porte.	I piedini frenati del frigorifero non sono aderenti al pavimento.	Ruotare i due piedini frenati (uno su ciascun lato) in senso antiorario, in modo uguale, fino a quando aderiscono al pavimento. Consultare la sezione "Messa in piano del frigorifero e chiusura porte".

Table des matières

SÉCURITÉ DU RÉFRIGÉRATEUR.....	52
Mise au rebut du vieux réfrigérateur	55
PIÈCES ET CARACTÉRISTIQUES	56
INSTRUCTIONS D'INSTALLATION	57
Pour commencer	57
Déballage du réfrigérateur	57
Exigences d'emplacement	58
Spécifications électriques.....	58
Retrait et réinstallation des portes du réfrigérateur.....	60
Enlever et replacer la porte du congélateur/Flexi Freeze.....	62
Nivellement du réfrigérateur	63
Utilisation des commandes	64
Éclairage du réfrigérateur.....	65
UTILISATION DU RÉFRIGÉRATEUR	66
Ouverture et fermeture des portes	66
Conservation des aliments	66
TABLETTES, BALCONNETS ET TIROIRS	67
Compartiments de rangement du congélateur	68
Référence audio.....	68
Accessoires.....	68
Assistance ou dépannage	68
ENTRETIEN DU RÉFRIGÉRATEUR	69
Nettoyage.....	69
Lampes	70
Précautions à prendre pour les vacances ou le déménagement....	70
DÉPANNAGE	71

SÉCURITÉ DU RÉFRIGÉRATEUR

Votre sécurité et celle des autres est très importante.

Nous donnons de nombreux messages de sécurité importants dans ce manuel et sur votre appareil ménager. Assurez-vous de toujours lire tous les messages de sécurité et de vous y conformer.



Voici le symbole d'alerte de sécurité.

Ce symbole d'alerte de sécurité vous signale les dangers potentiels de décès et de blessures graves à vous et à d'autres.

Tous les messages de sécurité suivront le symbole d'alerte de sécurité et le mot "DANGER" ou "AVERTISSEMENT". Ces mots signifient :

⚠ DANGER

Risque possible de décès ou de blessure grave si vous ne suivez pas immédiatement les instructions.

⚠ AVERTISSEMENT

Risque possible de décès ou de blessure grave si vous ne suivez pas les instructions.

Tous les messages de sécurité vous diront quel est le danger potentiel et vous disent comment réduire le risque de blessure et ce qui peut se produire en cas de non-respect des instructions.

INSTRUCTIONS DE SÉCURITÉ

Lire ces instructions de sécurité avant d'utiliser l'appareil. Conservez ces instructions pour référence ultérieure. Ces instructions et l'appareil lui-même fournissent d'importants avertissements de sécurité qui doivent être respectés en tout temps. Le fabricant décline toute responsabilité si ces instructions de sécurité ne sont pas respectées et en cas de mauvaise utilisation du produit ou de mauvais réglage des commandes.

⚠ Les très jeunes enfants (0 à 3 ans) devraient être tenus loin de l'appareil. Les jeunes enfants (3 à 8 ans) devraient être tenus loin de l'appareil, sauf s'ils sont supervisés en tout temps. Les enfants de 8 ans et plus, ainsi que les personnes à capacités physiques, sensorielles ou mentales réduites, ou possédant un manque d'expérience et de connaissances ne peuvent utiliser cet appareil que s'ils sont supervisés ou qu'ils ont reçu des instructions concernant l'utilisation sécuritaire de l'appareil et comprennent les risques liés à l'utilisation de l'appareil. Les enfants ne doivent pas jouer avec l'appareil. Le nettoyage et l'entretien ne doivent pas être effectués par des enfants laissés sans supervision.

UTILISATION PERMISE

⚠ MISE EN GARDE : Cet appareil n'est pas conçu pour être utilisé à l'aide d'un dispositif de commutation externe comme une minuterie ni par un système de commande à distance.

⚠ Cet appareil est destiné à un usage domestique et à d'autres usages similaires comme : coins cuisine réservés au personnel des boutiques, des bureaux et d'autres environnements professionnels, maisons d'hôtes, chambres d'hôtel, motels, gîtes touristiques et autres installations d'hébergement.

⚠ Cet appareil n'est pas conçu pour une utilisation professionnelle. Ne pas utiliser l'appareil à l'extérieur.

⚠ Cet appareil est conçu pour être utilisé dans un endroit où la température se trouve dans les limites des plages suivantes, et selon la classe climatique indiquée sur la plaque signalétique. Il est possible que l'appareil ne fonctionne pas correctement s'il est resté exposé pendant longtemps à une température en dehors de la plage indiquée.

Classe climatique T (°C)

SN : De 10 à 32 °C; N : De 16 à 32 °C

ST : De 16 à 38 °C; T : De 16 à 43 °C

⚠ Cet appareil ne contient pas de CFC. Le circuit de ce réfrigérateur contient du R600a (HC). Appareils contenant de l'isobutane (R600a) : L'isobutane est un gaz naturel sans impact pour l'environnement, mais inflammable. Il faut donc s'assurer que les tubes du circuit réfrigérant de l'appareil ne sont pas endommagés, particulièrement lorsqu'on vide le circuit réfrigérant.

⚠ AVERTISSEMENT : Ne pas endommager les tubes du circuit réfrigérant de l'appareil.

IMPORTANT : À LIRE ET À RESPECTER

⚠ AVERTISSEMENT : Garder les événements à l'intérieur de l'enceinte de l'appareil ou de la structure encastrée exempte d'obstacles.

⚠ AVERTISSEMENT : Ne pas employer de procédé mécanique, électrique ou chimique autre que celui recommandé par le fabricant pour accélérer le processus de décongélation.

⚠ AVERTISSEMENT : Ne pas utiliser ou placer de dispositif électrique à l'intérieur des compartiments de l'appareil si ce dispositif ne correspond pas au type de dispositif expressément autorisé par le fabricant.

⚠ AVERTISSEMENT : Les machines à glaçons ou distributeurs d'eau automatiques dont le raccordement à l'alimentation en eau est indirect doivent être approvisionnés uniquement en eau potable.

⚠ AVERTISSEMENT : Les machines à glaçons et distributeurs d'eau doivent être raccordés uniquement à une arrivée d'eau potable dont la pression est comprise entre 0,17 et 0,81 MPa (1,7 et 8,1 bars).

⚠ Ne pas entreposer de substances explosives comme des aérosols avec agent propulseur inflammable dans cet appareil.

⚠ Ne pas avaler le contenu (non toxique) des blocs réfrigérants (offerts sur certains modèles). Ne pas manger de glaçons ou sucettes glacées immédiatement après les avoir retirés du congélateur : elles peuvent causer des brûlures dues au froid.

⚠ Pour les produits conçus pour utiliser un filtre à air situé dans un couvercle de ventilateur accessible, le filtre doit toujours être en place lorsque le réfrigérateur est alimenté.

⚠ Ne pas ranger de contenants en verre contenant des liquides dans le compartiment de congélation puisqu'ils pourraient éclater. Ne pas boucher le ventilateur (si inclus) avec des alimentaires. Après avoir rangé les aliments, vérifier que les portes de compartiments ferment bien, particulièrement la porte du congélateur.

⚠ Les joints endommagés doivent être remplacés le plus vite possible.

⚠ Utiliser le compartiment de réfrigération uniquement pour la conservation d'aliments frais et le compartiment de congélation pour la conservation d'aliments surgelés, la congélation d'aliments frais et la fabrication de glaçons.

⚠ Éviter de conserver des aliments non emballés au contact direct de surfaces internes des compartiments de réfrigération et de congélation. Les appareils peuvent être munis de compartiments spécialisés (compartiment à aliments frais, boîte à zéro degré, etc.). Sauf si mentionné dans le livret spécifique du produit, ces compartiments peuvent être enlevés sans nuire au rendement de l'appareil.

INSTALLATION

⚠ Cet appareil doit être déplacé et installé par deux personnes ou plus – risque de blessures. Utiliser des gants de protection pour déballer et installer le produit – risque de coupure.

⚠ L'installation, incluant le raccordement à l'entrée d'eau (au besoin) et les connexions électriques, ainsi que les réparations doivent être effectuées par un technicien qualifié. Ne pas réparer ou remplacer une pièce de l'appareil si ce n'est pas spécifiquement indiqué dans le guide d'utilisation. Garder les enfants loin de la zone d'installation.

Après avoir déballé l'appareil, s'assurer qu'il n'a pas été endommagé par le transport. En cas de problème, communiquer avec le fournisseur de service après-vente le plus près de chez vous. Une fois l'appareil installé, le matériel d'emballage à recycler (plastique, pièces en polystyrène, etc.) doit être placé hors de la portée des enfants – risque de suffocation. L'appareil doit être débranché de l'alimentation électrique avant toute installation – risque de décharge électrique. Pendant l'installation s'assurer que l'appareil n'endommage pas le cordon d'alimentation – risque d'incendie et de décharge électrique. Ne mettre l'appareil en marche qu'une fois l'installation terminée.

⚠ Faire attention à ne pas endommager le plancher (p. ex., parquet) lorsqu'on déplace l'appareil. Installer l'appareil sur un plancher ou une surface qui pourra en supporter le poids et dans un espace adapté à ses dimensions et à l'utilisation qui en est faite. S'assurer que l'appareil n'est pas situé près d'une source de chaleur et que les quatre pieds sont stables et bien à plat au sol, ajuster les pieds au besoin et vérifier que l'appareil est bien au niveau en utilisant un niveau à bulle d'air. Attendre au moins deux heures avant de mettre en marche l'appareil afin de s'assurer que le circuit réfrigérant est parfaitement fonctionnel.

⚠ Pour garantir une ventilation adéquate, laisser un espace de chaque côté et au-dessus de l'appareil. La distance entre le dos de l'appareil et le mur arrière devrait être de 50 mm pour éviter l'accès à des surfaces chaudes. Un espace inférieur augmentera la consommation d'électricité de l'appareil.

⚠ **AVERTISSEMENT** : Pour éviter un danger provoqué par l'instabilité, le positionnement ou l'arrimage de l'appareil, respecter les instructions du fabricant. Il est interdit de placer le réfrigérateur de telle manière que le tuyau d'entrée de gaz d'une cuisinière, les conduits d'eau ou de gaz en métal ou les fils électriques entrent en contact avec le dos du réfrigérateur (serpentons du condensateur).

⚠ S'il est nécessaire de remplacer la porte, communiquer avec le centre de service technique.

AVERTISSEMENTS – ÉLECTRICITÉ

⚠ Il doit être possible de couper l'alimentation électrique de l'appareil en le débranchant si la prise est accessible ou à l'aide d'un interrupteur bipolaire accessible monté en amont de la prise secteur en conformité avec les normes de sécurité nationales. L'appareil doit être mis à la terre en conformité avec les normes de sécurité nationales.

⚠ Ne pas utiliser une extension, un parasurtenseur ou un adaptateur. Les composants électriques ne doivent pas être accessibles par l'utilisateur après l'installation. Ne pas utiliser l'appareil lorsqu'on est mouillé ou pieds nus. Ne pas utiliser ce produit si la fiche ou le cordon est endommagé, s'il ne fonctionne pas correctement ou s'il a subi une chute ou a été endommagé de quelque façon que ce soit.

⚠ Si le cordon d'alimentation est endommagé, il doit être remplacé par un cordon identique par le fabricant, son agent de réparation ou toute autre personne qualifiée afin d'éviter tout danger – risque de décharge électrique.

⚠ **AVERTISSEMENT** : Lors du positionnement de l'appareil, s'assurer que le cordon d'alimentation n'est pas coincé ou endommagé.

⚠ **AVERTISSEMENT** : Ne pas installer un parasurtenseur ou un bloc d'alimentation portatif derrière l'appareil.

NETTOYAGE ET ENTRETIEN

⚠ **AVERTISSEMENT** : S'assurer que l'appareil est arrêté et que l'alimentation électrique est débranchée avant d'effectuer tout entretien ; ne jamais utiliser d'équipement de nettoyage à la vapeur – risque de décharge électrique.

⚠ Ne pas utiliser de nettoyeurs puissants ou abrasifs tels que les nettoyeurs à vitre en atomiseurs, nettoyeurs à récurer, liquides inflammables, cires nettoyantes, détergents concentrés, agents de blanchiment ou nettoyeurs contenant du pétrole sur les pièces en plastique, les garnitures intérieures et garnitures de portes ou sur les joints de portes. Ne pas utiliser d'essuie-tout, de tampons à récurer ou d'autres outils de nettoyage abrasifs.


RECYCLAGE DES MATÉRIAUX D'EMBALLAGE

Les matériaux d'emballage sont entièrement recyclables et sont munis des symboles de recyclage ♻.

Les différents matériaux d'emballage doivent donc être mis au recyclage de façon responsable et en respectant les réglementations locales en matière de recyclage.

MISE AUX REBUTS DES APPAREILS MÉNAGERS

Cet appareil est fabriqué de matériaux recyclables et réutilisables. Jeter l'appareil conformément aux règlements locaux en matière de déchets. Pour plus d'informations sur le traitement, la récupération et le recyclage des appareils ménagers électriques, contacter le bureau local pertinent, le service de traitement des déchets domestiques ou la boutique dans laquelle l'appareil a été acheté. Cet appareil est conforme à la directive européenne 2012/19/EU relative aux appareils électriques et électroniques usagés (WEEE). En s'assurant que cet appareil est mis aux rebuts de la bonne façon, on s'assure de prévenir les conséquences néfastes sur l'environnement et la santé humaine.

Le symbole  situé sur le produit ou les documents joints indique qu'il ne doit pas être considéré comme un déchet domestique, mais qu'il doit être transféré vers un centre de traitement des déchets approprié et conçu pour le recyclage des appareils électriques et électroniques.

MESSAGE ÉCONERGIQUE

Installer l'appareil dans une pièce sèche et bien aérée, loin de toute source de chaleur (p. ex. : radiateur, cuiseur, etc.) ou des rayons directs du soleil. Au besoin, utiliser un panneau isolant.

Pour garantir une bonne ventilation, suivre les instructions d'installation. Une mauvaise ventilation derrière le produit augmente la consommation d'énergie et réduit l'efficacité de refroidissement.

L'ouverture fréquente de la porte peut causer une augmentation de la consommation électrique. La température interne de l'appareil et la consommation d'énergie peuvent aussi être affectées par la température ambiante, ainsi que par l'emplacement de l'appareil. Le réglage de la température devrait être effectué en considérant ces facteurs.

Réduire le plus possible les ouvertures de porte.

Placer les aliments à décongeler dans le réfrigérateur. La température des aliments congelés refroidit les aliments dans le réfrigérateur. Laisser les boissons et aliments refroidir avant de les placer dans l'appareil.

Le positionnement des tablettes dans le réfrigérateur n'a aucune incidence sur l'utilisation efficace de la consommation d'énergie. Les aliments devraient être placés sur les tablettes de façon à permettre une bonne circulation de l'air (les aliments ne devraient pas se toucher et un espace devrait être conservé entre les aliments et la paroi arrière). Il est possible d'augmenter la capacité de stockage d'aliments congelés en enlevant les paniers et, si elle est présente, la tablette Stop Frost.

Ne pas s'en faire avec les bruits du compresseur, ceux-ci sont normaux et décrits dans le guide rapide du produit.



Mise au rebut du vieux réfrigérateur

⚠ AVERTISSEMENT

Risque de suffoquer

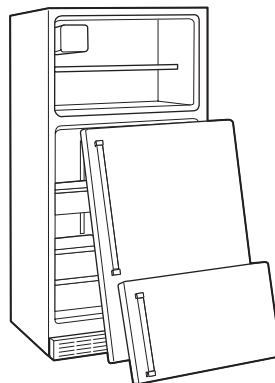
Enlever les portes de votre vieux réfrigérateur.

Le non-respect de cette instruction peut causer un décès ou des lésions cérébrales.

IMPORTANT : Le risque qu'un enfant puisse se retrouver coincé et suffoquer n'est pas chose du passé. Les réfrigérateurs jetés ou abandonnés restent dangereux, même s'ils ne restent à l'extérieur que pour "quelques jours seulement". Si l'ancien réfrigérateur doit être mis au rebut, suivre les instructions suivantes afin d'aider à éviter les accidents.

Avant de jeter l'ancien réfrigérateur ou congélateur :

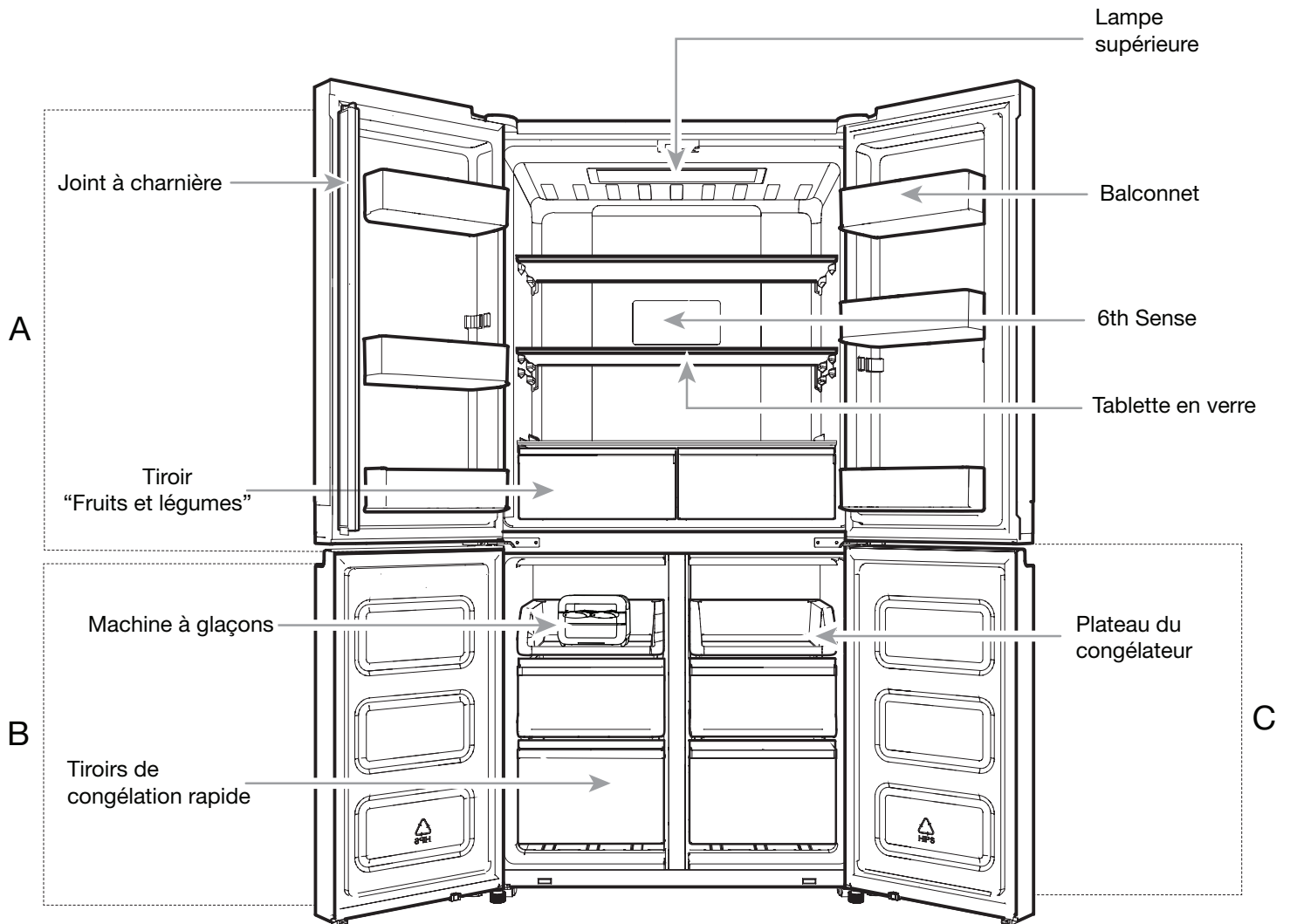
- Enlever les portes.
- Laisser les tablettes en place de sorte que les enfants ne puissent pas y pénétrer facilement.



Renseignements importants à propos de la mise au rebut des fluides réfrigérants :

Mettre le réfrigérateur au rebut conformément à la réglementation fédérale et locale. Les fluides réfrigérants doivent être évacués par un technicien certifié et agréé par l'EPA conformément aux procédures établies.

PIÈCES ET CARACTÉRISTIQUES



- A . Réfrigérateur
- B . Congélateur
- C . Flexi Freeze (seulement sur les modèles WQ9 B1L, 6WM24NIHAS et WQ70900SXX)

INSTRUCTIONS D'INSTALLATION

Pour commencer

LISTE DE VÉRIFICATION POUR L'INSTALLATION

✓ Alimentation électrique

⚠ AVERTISSEMENT



Risque de choc électrique

Brancher sur une prise de terre (reliée à la masse).

Ne pas retirer la broche de terre.

Ne pas utiliser d'adaptateur.

Ne pas utiliser de rallonge.

Le non-respect de ces instructions peut entraîner la mort, un incendie ou un choc électrique.

- Brancher le réfrigérateur dans une prise avec mise à la terre.

✓ Portes

- Si les portes doivent être retirées lors de l'installation, se reporter aux sections "Retirer et replacer les portes" et "Retirer et replacer l'avant de la porte du congélateur".
- Les portes ferment complètement hermétiquement.
- Le réfrigérateur est de niveau. Ajuster les pieds de nivellement de façon à ce qu'ils soient en contact avec le plancher.
- Les portes sont alignées à leurs rives supérieures. (Utiliser la fonction d'ajustement de la porte au besoin.)

✓ Dernières vérifications

- Retirer tout l'emballage d'expédition.
- Régler les commandes de température aux réglages recommandés.
- Conserver les instructions et autres documents éventuels.
- Pour obtenir plus d'aide, enregistrer le produit au www.whirlpool.eu/register.

Déballage du réfrigérateur

⚠ AVERTISSEMENT

Risque du poids excessif

Utiliser deux ou plus de personnes pour déplacer et installer le réfrigérateur.

Le non-respect de cette instruction peut causer une blessure au dos ou d'autre blessure.

Livraison du réfrigérateur

Une ouverture de porte minimum de 838 mm (33 po) est nécessaire. Si l'ouverture est inférieure ou égale à 914 mm (36 po), il faudra enlever les portes, tiroirs et charnières.

Pousser le chariot avec le réfrigérateur de côté pour toutes les ouvertures de porte.

Déplacement de votre réfrigérateur :

Votre réfrigérateur est lourd. Lors du déplacement de votre réfrigérateur pour le nettoyage ou un entretien ou réparation, veiller à recouvrir le plancher avec du carton ou un panneau de fibres dures pour éviter qu'il ne subisse tout dommage. Toujours tirer le réfrigérateur tout droit lors de son déplacement. Ne pas incliner le réfrigérateur d'un côté ou de l'autre ni le "faire marcher" en essayant de le déplacer car le plancher pourrait être endommagé.

Retrait des matériaux d'emballage

- Enlever les résidus de ruban adhésif et de colle des surfaces du réfrigérateur avant de le mettre en marche. Frotter une petite quantité de détergent liquide à vaisselle sur l'adhésif avec les doigts. Rincer à l'eau tiède et sécher.
- Ne pas utiliser d'instruments coupants, d'alcool à friction, de liquides inflammables ou de nettoyeurs abrasifs pour enlever le ruban adhésif ou la colle. Ces produits peuvent endommager la surface du réfrigérateur.
- Éliminer/recycler tous les matériaux d'emballage.

Nettoyage avant utilisation

Après avoir enlevé tous les matériaux d'emballage, nettoyer l'intérieur du réfrigérateur avant de l'utiliser. Voir les instructions de nettoyage dans la section "Entretien du réfrigérateur".

Importants renseignements à savoir au sujet des tablettes et des couvercles en verre :

Ne pas nettoyer les tablettes ou couvercles en verre avec de l'eau tiède quand ils sont froids. Les tablettes et les couvercles peuvent se briser s'ils sont exposés à des changements soudains de température ou à un impact tel que coup brusque. Le verre trempé est conçu pour éclater en d'innombrables pièces minuscules. Ceci est normal. Les tablettes et les couvercles en verre sont lourds. Les saisir à deux mains lors de leur dépose afin d'éviter de les faire tomber.

Exigences d'emplacement

⚠ AVERTISSEMENT



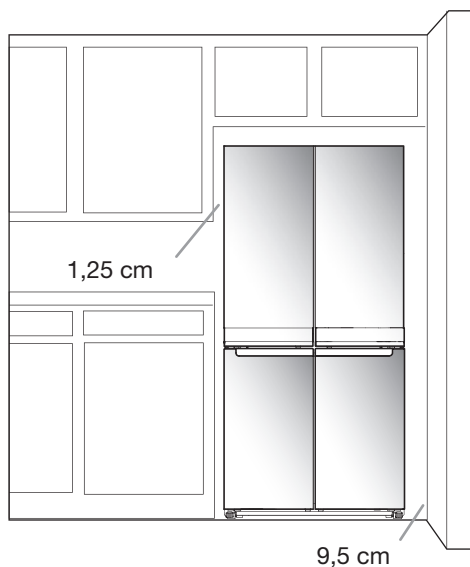
Risque d'explosion

Garder les matériaux et les vapeurs inflammables, telle que l'essence, loin du réfrigérateur.

Le non-respect de cette instruction peut causer un décès, une explosion ou un incendie.

Pour obtenir une aération appropriée pour ce réfrigérateur, laisser un espace de 1,25 cm de chaque côté et au sommet. Laisser un espace de 5 cm derrière le réfrigérateur. Si le réfrigérateur comporte une machine à glaçons, s'assurer qu'un espace additionnel est prévu à l'arrière pour permettre les raccordements des conduits d'eau. En cas d'installation du réfrigérateur près d'un mur fixe, laisser un minimum de 9,5 cm entre le réfrigérateur et le mur pour permettre à la porte de s'ouvrir librement.

REMARQUE : Ce réfrigérateur est conçu pour être utilisé dans un endroit où la température est comprise entre un minimum de 10 °C et un maximum de 43 °C. La plage de température ambiante idéale pour un rendement optimal est comprise entre 15 °C et 32 °C. Il est recommandé de ne pas installer le réfrigérateur près d'une source de chaleur comme un four ou un radiateur.



Spécifications électriques

⚠ AVERTISSEMENT



Risque de choc électrique

Brancher sur une prise de terre (reliée à la masse).

Ne pas retirer la broche de terre.

Ne pas utiliser d'adaptateur.

Ne pas utiliser de rallonge.

Le non-respect de ces instructions peut entraîner la mort, un incendie ou un choc électrique.

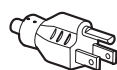
IMPORTANT : L'installation et le raccordement électrique doivent être réalisés par un technicien qualifié, conformément aux instructions du fabricant et aux règlements de sécurité locaux.

- Le réfrigérateur est prévu pour fonctionner sur un circuit distinct de 220-240 V à 10 A et 50/60 Hz.
- S'assurer que la tension indiquée sur la plaque signalétique correspond à celle de votre domicile.
- Il doit être possible de couper l'alimentation électrique de l'appareil en débranchant sa prise ou au moyen d'un interrupteur bipolaire monté en amont de la prise secteur.
- Si le cordon d'alimentation est endommagé, il doit être remplacé par le fabricant, son agent de réparation ou toute autre personne qualifiée afin d'éviter tout danger.

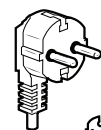
Avant de placer le réfrigérateur à son emplacement final, il est important de s'assurer d'avoir la connexion électrique appropriée :

Méthode recommandée de mise à la terre

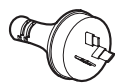
Alimentation de 220-240 V CA à 50 Hz, 220 V CA à 60 Hz ou 230/240 V CA à 50 Hz seulement avec fusible de 10 A et mise à la terre requis.



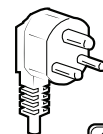
Type B



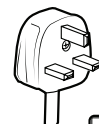
Type E et F



Type I



Type M



Type G

Australie et Nouvelle-Zélande :

Ce nouvel appareil ménager a été spécialement conçu pour satisfaire à toutes les normes et conditions australiennes.

Certaines annotations dans les instructions d'installation peuvent faire référence aux spécifications électriques d'autres pays ; nous attirons donc l'attention de l'utilisateur sur ces remarques.

Votre appareil doit être branché à une prise avec mise à la terre de 230/240 V CA, 50 Hz, 10 A seulement.

Exigences électriques (Grande-Bretagne et Irlande seulement)

IMPORTANT : Ce réfrigérateur doit être relié à la terre.

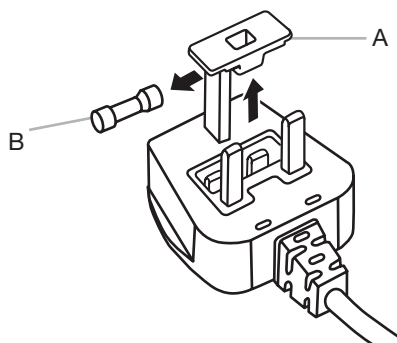
Remplacer un fusible

Le cordon d'alimentation du réfrigérateur est muni d'une fiche BS1363A avec fusible de 13 A, pour remplacer un fusible dans ce type de fiche, utiliser un fusible approuvé A.S.T.A. de type BS 1362 et suivre la procédure suivante :

1. Enlever le couvercle du fusible (A) et le fusible (B).
2. Placer le fusible 13 A de remplacement sur le couvercle de fusible.
3. Placer le fusible et son couvercle sur la fiche.

IMPORTANT : Le couvercle de fusible doit être remplacé lorsqu'on remplace un fusible. Si on perd le couvercle, la fiche ne peut être utilisée avant qu'un couvercle de remplacement soit utilisé.

Un bon couvercle de remplacement sera identifié par une insertion de couleur ou le nom de la couleur gravé en relief à la base de la fiche. Des couvercles de fusible de remplacement sont offerts chez votre marchand de fournitures électriques local.



A. Couvercle du fusible
B. Fusible

Pour la république d'Irlande (seulement) :

Les renseignements concernant la Grande-Bretagne s'appliquent généralement, mais un troisième type de fiche et prise avec 2 broches et mise à la terre sur le côté est aussi utilisé.

Fiche/prise (pour les deux pays) :

Si la prise et la fiche sont de différents types, communiquer avec le service à la clientèle pour obtenir plus d'instructions. Ne pas essayer de changer la fiche vous-même. Cette modification doit être effectuée par un technicien qualifié en respectant les instructions du fabricant et les réglementations de sécurité standard actuelles.

Température

Ce réfrigérateur est conçu pour être utilisé dans un endroit où la température se trouve dans les limites des plages suivantes, et selon la classe climatique indiquée sur la plaque signalétique. Il est possible que le réfrigérateur ne fonctionne pas correctement s'il est resté exposé pendant longtemps à une température en dehors de la plage indiquée.

REMARQUE : Il est recommandé de ne pas installer le réfrigérateur près d'une source de chaleur comme un four ou un radiateur.

Classe climatique	Ambiant T (°C)	Ambiant T (°F)
SN	De 10 à 32	De 50 à 90
N	De 16 à 32	De 61 à 90
ST	De 16 à 38	De 61 à 100
T	De 16 à 43	De 61 à 110

Retrait et réinstallation des portes du réfrigérateur

REMARQUE : En fonction de la largeur de l'ouverture de la porte, il faudra peut-être retirer les portes du réfrigérateur pour pouvoir introduire le réfrigérateur dans le domicile. Si les portes doivent être retirées, consulter les instructions suivantes.

IMPORTANT : Si le réfrigérateur est déjà installé et qu'il doit être déplacé à l'extérieur de la maison, fermer les commandes du réfrigérateur avant de commencer à enlever les portes. Débrancher le réfrigérateur ou déconnecter la source de courant électrique. Retirer les aliments et les balconnets des portes du réfrigérateur.

Rassembler les outils nécessaires et lire toutes les instructions avant de retirer les portes.

OUTILS REQUIS : Clés à douille de 5 mm et 6 mm, tournevis cruciforme no 2.

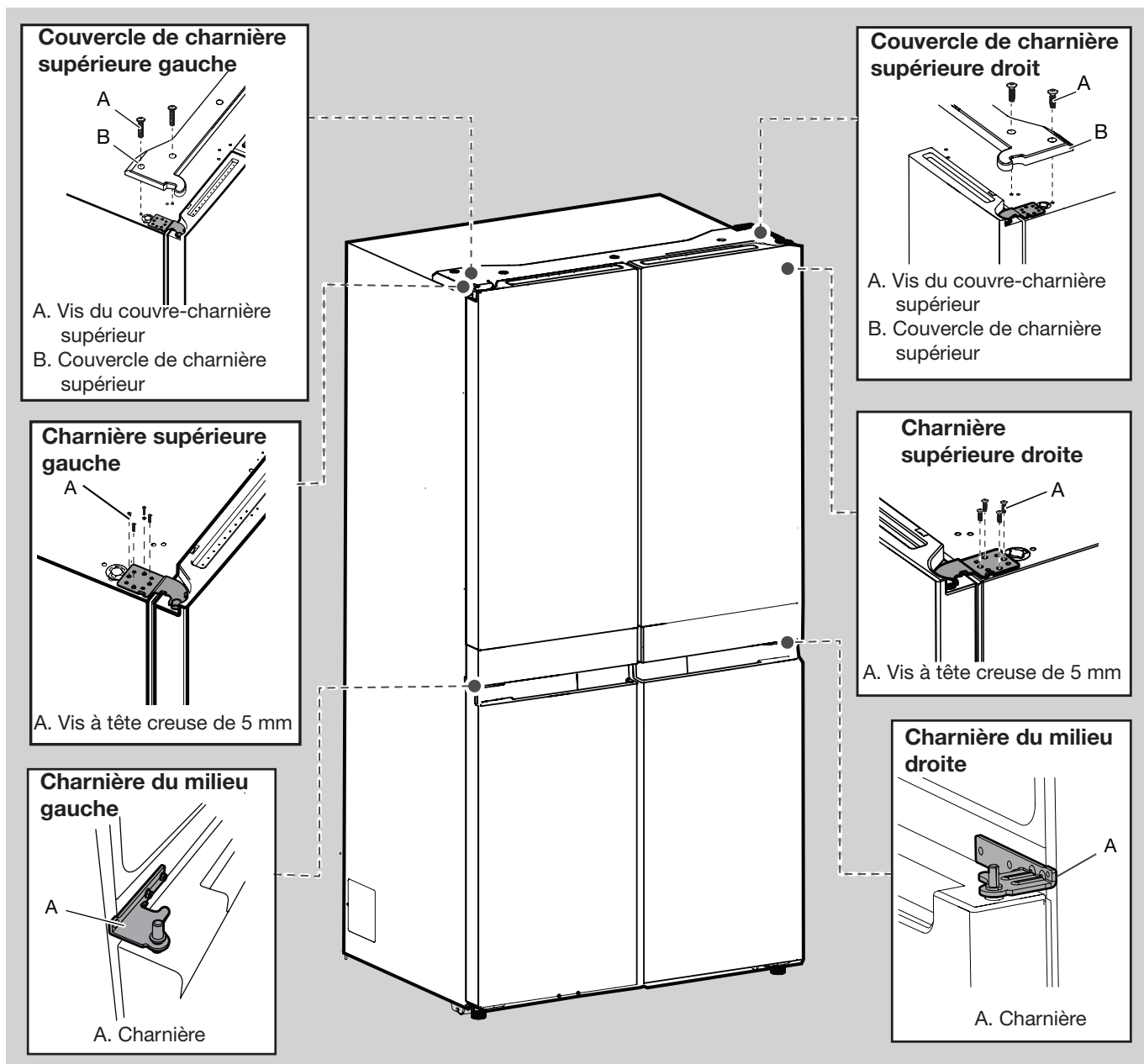


⚠ AVERTISSEMENT

Risque de choc électrique

Déconnecter la source de courant électrique avant d'enlever les portes.

Le non-respect de cette instruction peut causer un décès ou un choc électrique.



⚠ AVERTISSEMENT

Risque du poids excessif

Utiliser deux ou plus de personnes pour soulever la porte du réfrigérateur.

Le non-respect de cette instruction peut causer une blessure au dos ou d'autre blessure.

Retrait des portes du réfrigérateur

⚠ AVERTISSEMENT



Risque de choc électrique

Déconnecter la source de courant électrique avant d'enlever les portes.

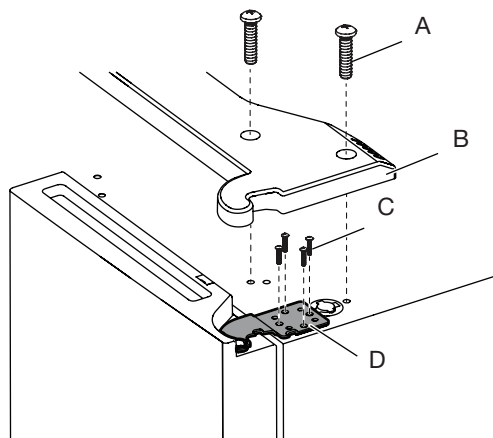
Le non-respect de cette instruction peut causer un décès ou un choc électrique.

Retrait de la porte de droite

1. Débrancher le réfrigérateur ou déconnecter la source de courant électrique.
2. Laisser les portes du réfrigérateur fermées jusqu'au moment de les détacher de la caisse.

REMARQUE : Prévoir un support supplémentaire pour la porte du réfrigérateur pendant le retrait des charnières. La force d'attraction des aimants de la porte ne suffit pas à la maintenir en place pendant la manutention.

3. À l'aide d'un tournevis cruciforme, retirer le couvre-charnière de la charnière supérieure.
4. À l'aide de la clé à douille de 5 mm, retirer les quatre vis de la charnière supérieure et les garder de côté.



A. Vis du couvre-charnière supérieur

B. Couvre-charnière supérieur

C. Vis à tête creuse de 5 mm

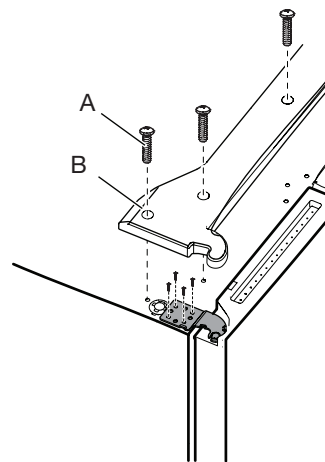
D. Charnière supérieure

5. Soulever la porte du réfrigérateur de l'axe de la charnière du centre. La charnière supérieure se dégage en même temps que la porte.

Retrait de la porte de gauche

IMPORTANT : Le câblage de l'IU passe par la charnière de la porte de gauche, il doit être déconnecté avant de retirer la porte.

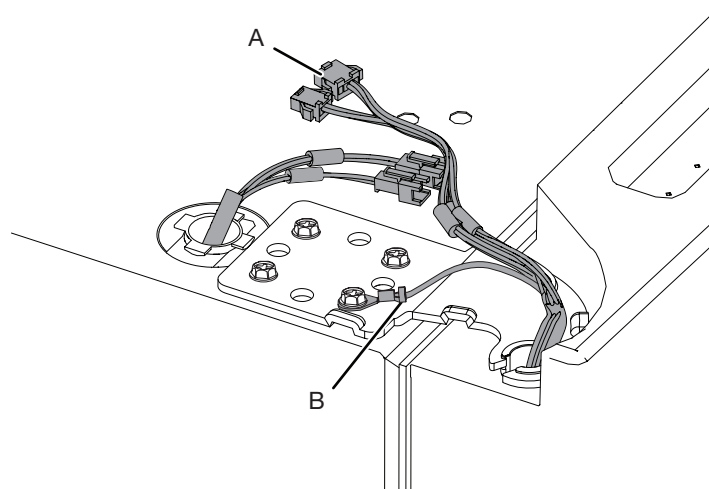
1. À l'aide d'un tournevis cruciforme, retirer le couvre-charnière de la charnière supérieure.



A. Vis du couvre-charnière supérieur

B. Couvre-charnière supérieur

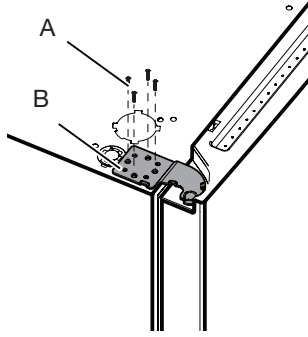
2. Débrancher les deux fiches de câblage situées sur le dessus de la charnière de la porte.
 - Saisir chaque côté des fiches de câblage. Avec le pouce gauche, appuyer sur le loquet pour le dégager et écarter les deux sections des fiches.



A. Fiche de câblage

B. Connecteur de mise à terre

- À l'aide de la clé à douille de 5 mm, retirer les quatre vis internes de la charnière et les garder de côté.



A. Vis à tête creuse de 5 mm
B. Charnière supérieure

REMARQUE : Prévoir un support supplémentaire pour la porte du réfrigérateur pendant le retrait des charnières. La force d'attraction des aimants de la porte ne suffit pas à la maintenir en place pendant la manutention.

- Soulever la porte du réfrigérateur de l'axe de la charnière inférieure. La charnière supérieure se dégage en même temps que la porte.

REMARQUE : Il ne sera peut-être pas nécessaire d'enlever les charnières inférieures et les pieds de stabilisation pour faire passer le réfrigérateur dans un cadre de porte.

- Si nécessaire, utiliser une clé à douille de 6 mm et un tournevis cruciforme no 2 pour enlever la charnière du milieu.

Réinstallation de la porte de droite du réfrigérateur

- Placer la porte de droite sur l'axe de la charnière du milieu.
- Insérer l'axe de la charnière supérieure dans le trou du sommet de la porte du réfrigérateur.
- À l'aide de 4 vis à tête creuse de 5 mm, serrer la charnière sur l'appareil. Ne pas complètement serrer les vis.

Réinstallation de la porte de gauche du réfrigérateur

- Placer la porte de gauche sur l'axe de la charnière du milieu.
- À l'aide de 4 vis à tête creuse de 5 mm, serrer la charnière sur l'appareil. Ne pas complètement serrer les vis.
- Rebrancher le câblage électrique.
 - Remboîter deux sections de la fiche de câblage.
 - Rebrancher la mise à la terre à la vis de charnière.

Étapes finales

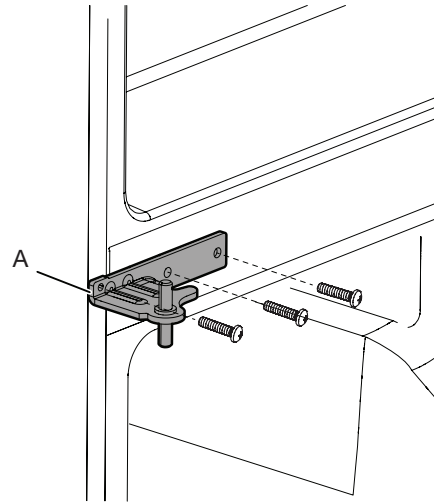
- Serrer à fond les 8 vis à tête creuse de 5 mm.
- Réinstaller les couvre-charnière supérieurs.

Enlever et replacer la porte du congélateur/Flexi Freeze

- Laisser les portes du congélateur fermées jusqu'au moment de les détacher de la caisse.

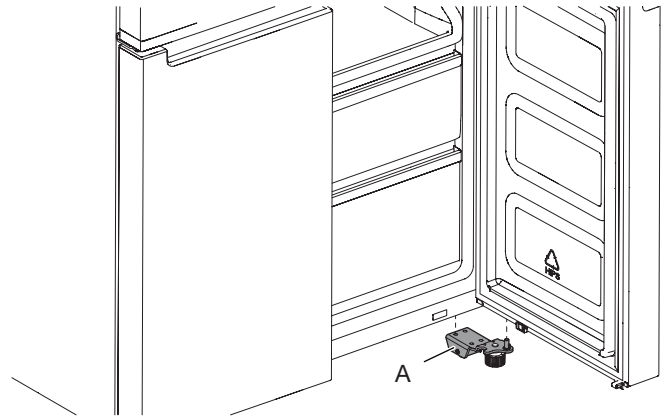
REMARQUE : Prévoir un support supplémentaire pour la porte du congélateur pendant le retrait des charnières. La force d'attraction des aimants de la porte ne suffit pas à la maintenir en place pendant la manutention.

- Utiliser un tournevis cruciforme no 2 et une clé à douille de 6 mm pour enlever la charnière du milieu de la caisse.



A. Charnière du milieu

- Soulever la porte du congélateur de l'axe de la charnière inférieure.



A. Charnière inférieure

⚠ AVERTISSEMENT



Risque de choc électrique

Brancher sur une prise de terre (reliée à la masse).

Ne pas retirer la broche de terre.

Ne pas utiliser d'adaptateur.

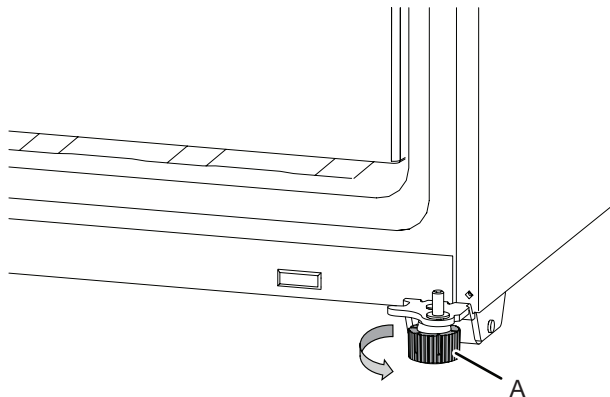
Ne pas utiliser de rallonge.

Le non-respect de ces instructions peut entraîner la mort, un incendie ou un choc électrique.

1. Brancher sur une prise reliée à la terre.
2. Replacer toutes les pièces amovibles et aliments dans les tiroirs.

Nivellement du réfrigérateur

1. Déplacer le réfrigérateur jusqu'à son emplacement final.
2. Avec la main, faire pivoter les pieds de stabilisation. Les tourner dans le sens antihoraire, jusqu'à ce que les roulettes ne touchent plus le sol et que les deux pieds de stabilisation soient fermement en appui sur le sol. Ceci permet d'empêcher le réfrigérateur de rouler vers l'avant à l'ouverture des portes.



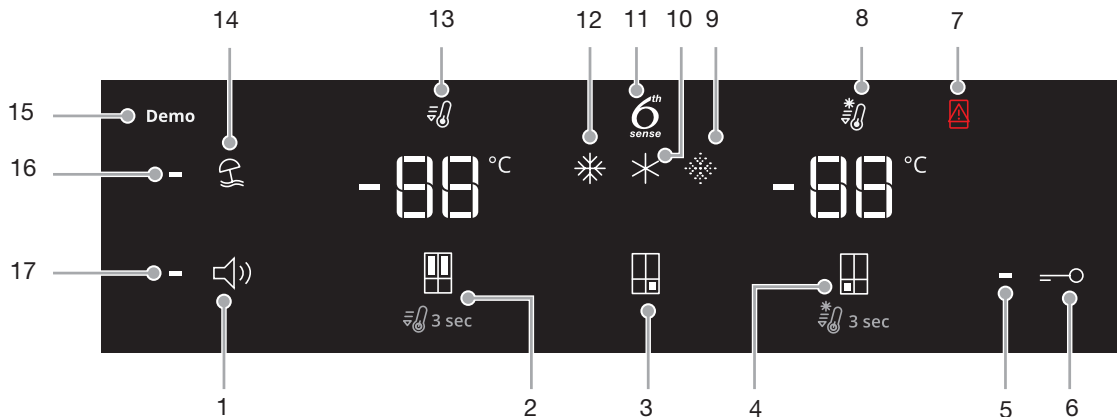
A. Pieds de stabilisation

IMPORTANT : Si des ajustements sont nécessaires par la suite et si cela comprend les pieds de stabilisation, les deux pieds de stabilisation doivent être tournés de façon égale pour conserver l'aplomb du réfrigérateur.

3. À l'aide d'un niveau, vérifier que le réfrigérateur est d'aplomb transversalement et d'avant en arrière.

Utilisation des commandes

Les commandes tactiles sont situées sur la porte gauche du réfrigérateur. Le tableau de commande comprend des renseignements sur les différents boutons et témoins. Le témoin de température du réfrigérateur et du congélateur indique les derniers points de consigne de température.



1. Bouton marche/arrêt du son
2. Bouton de température du réfrigérateur (appuyer pendant 3 secondes pour accéder à Fast Cool [refroidissement rapide])
3. Bouton de température pré-réglé Flexi Freeze (seulement sur les modèles WQ9 B1L, 6WM24NIHAS et WQ70900SXX)
4. Bouton de température du congélateur (appuyer pendant 3 secondes pour accéder à Fast Freeze [congélation rapide])
5. Témoin de verrouillage des touches
6. Bouton de verrouillage des touches
7. Témoin de porte ouverte
8. Témoin de congélation rapide
9. Témoin de congélation faible (seulement sur les modèles WQ9 B1L, 6WM24NIHAS et WQ70900SXX)
10. Témoin de congélation moyenne (seulement sur les modèles WQ9 B1L, 6WM24NIHAS et WQ70900SXX)
11. Témoin 6th Sense
12. Témoin de congélation traditionnelle (seulement sur les modèles WQ9 B1L, 6WM24NIHAS et WQ70900SXX)
13. Témoin de refroidissement rapide
14. Bouton de mode vacances
15. Témoin du mode de démonstration (seulement sur les modèles WQ9 B1L, 6WM24NIHAS et WQ70900SXX)
16. Témoin du mode vacances
17. Témoin de son

Le panneau de commande s'éteindra automatiquement après une minute d'inactivité. Pour activer le tableau de commande, appuyer sur une touche.

- Affichage et modification des points de réglage de température

Réglage de la température du compartiment du réfrigérateur et du congélateur :

À titre de commodité, les commandes du réfrigérateur et du congélateur sont pré-réglées à l'usine.

Lors de l'installation initiale du réfrigérateur, s'assurer que les commandes sont encore pré-réglées aux points de réglage recommandés. Les points de réglage recommandés à l'usine sont de 3°C pour le réfrigérateur et -18°C pour le congélateur.

Appuyer sur le bouton de température du réfrigérateur ou du congélateur pour commuter entre les points de réglage de température en Celsius (°C).

IMPORTANT :

- Attendre 24 heures avant d'ajouter des aliments dans le réfrigérateur. Si on ajoute des aliments avant que le réfrigérateur ne soit complètement refroidi, les aliments risquent de se gaspiller.

REMARQUE : Placer les points de réglage à un réglage plus froid que celui qui est recommandé ne refroidira pas les compartiments plus rapidement.

- Si la température est trop tiède ou trop froide dans le réfrigérateur ou le congélateur, vérifier d'abord les événements pour s'assurer qu'ils ne sont pas bloqués, avant de régler les commandes.
- Les réglages recommandés devraient être corrects pour une utilisation domestique normale. Les réglages sont faits correctement lorsque le lait ou le jus sont aussi froids que désiré et lorsque la crème glacée est ferme.

REMARQUE : Dans des zones comme un garage, un sous-sol ou un porche, la température peut être extrême ou le taux d'humidité supérieur à celui de votre domicile. Il peut s'avérer nécessaire de modifier la température à d'autres réglages que les réglages recommandés afin de s'adapter à ces conditions.

- Attendre au moins 24 heures entre chaque modification. Vérifier à nouveau les températures avant de procéder à d'autres modifications.

6th Sense Fresh Lock et commandes du congélateur

Le capteur 6th SENSE Fresh Lock assure une température précise et constante, ce qui permet de conserver les aliments frais pendant une longue période de temps de la façon la plus naturelle. Dès qu'une variation de température est détectée, le capteur active un compresseur qui rétablit rapidement la température d'origine.

Le capteur 6th SENSE Freeze réduit les fluctuations de température dans le congélateur grâce à un système de gestion de la température innovateur. Les brûlures de congélation sont réduites pour préserver la qualité et la couleur des aliments.

Réglage Flexi Freeze (seulement sur les modèles WQ9 B1L, 6WM24NIHAS et WQ70900SXX)

La fonction Flexi Freeze permet de commuter entre les réglages de température du compartiment Flexi Freeze.

Symbole	Fonction	Température
	Congélateur traditionnel	-18°C
	Congélation moyenne	-12°C
	Congélation faible	-7°C

* Pour activer/désactiver le réglage le plus froid (-20°C), appuyer sur le bouton de réglage de la température Flexi Freeze pendant 3 secondes. Les trois icônes sont allumées lorsque le réglage le plus froid est activé.

Modifier le réglage de température multi



- Congélation traditionnelle (-18°C) : Aliments déjà congelés et aliments frais (max. 12 mois)
- Congélation moyenne (-12°C) : Aliments déjà congelés (max. 1 mois)
- Congélation faible (-7°C) : Aliments déjà congelés (max. 1 semaine)
- Lorsque le compartiment Flexible Freezer est réglé à -18°C ou -20°C, les températures du compartiment Flexible Freezer et du congélateur refroidiront toutes les deux au réglage le plus froid entre les deux réglages.
- La température du compartiment Flexible Freezer pourrait ne pas être capable d'atteindre -7°C lorsque la température ambiante se situe près de 10°C ou y est inférieure.

Pour modifier les points de réglage de température, utiliser le tableau suivant comme guide :

CONDITION	RÉGLAGE DE LA TEMPÉRATURE
Réfrigérateur trop froid	Réfrigérateur Réglage 1° plus élevé
Réfrigérateur trop tiède	Réfrigérateur Réglage 1° plus bas
Congélateur trop froid	Congélateur Réglage 1° plus élevé
Congélateur trop tiède/ trop peu de glaçons	Congélateur Réglage 1° plus bas



Refroidissement rapide

La caractéristique de refroidissement rapide est utile lors de périodes d'utilisation intense du réfrigérateur, de l'ajout d'une grande quantité d'aliments ou de l'élévation temporaire de la température de la pièce.

- Pour désactiver la fonction de refroidissement rapide, appuyer sur la touche de température du réfrigérateur  pendant 3 secondes. Lorsque la caractéristique est activée, l'icône Fast Cool (refroidissement rapide) s'allume. La fonction de refroidissement rapide reste activée pendant 2 heures à moins d'être désactivée manuellement.
- Pour désactiver manuellement la fonction de refroidissement rapide, appuyer sur la touche de température du réfrigérateur  pendant 3 secondes. L'icône Fast Cool (refroidissement rapide) s'éteint lorsque cette caractéristique est désactivée.
- Le réglage de la température du réfrigérateur aura pour effet de désactiver automatiquement la fonction de refroidissement rapide.

Congélation rapide

La quantité d'aliments frais (en kg) qui peuvent être congelés en 24 heures est indiquée sur la plaque signalétique de l'appareil.

- Appuyer sur le bouton de température du congélateur  pendant 3 secondes (jusqu'à ce que le témoin Fast Freeze [congélation rapide] s'allume), 24 heures avant de placer des aliments frais dans le congélateur. Après avoir placé des aliments frais dans le congélateur, 24 heures en mode de congélation rapide sont généralement suffisantes ; après 50 heures, la fonction de congélation rapide se désactive automatiquement.
- Pour désactiver manuellement la fonction de congélation rapide, appuyer sur la touche de température du congélateur  pendant 3 secondes. L'icône Fast Freeze (congélation rapide) s'éteint.
- Le réglage de la température du congélateur aura pour effet de désactiver automatiquement la fonction de congélation rapide.

Mode vacances

Ce mode est conçu pour empêcher votre appareil de consommer trop d'électricité pendant les périodes où il n'est pas régulièrement utilisé (p. ex., pendant les vacances).

En sélectionnant cette fonction, la température du réfrigérateur (RG) est automatiquement placée à 12 °C.

- Pour utiliser le mode vacances, appuyer sur le bouton mode jusqu'à ce que le témoin Holiday (vacances) s'allume.
- Pour quitter le mode vacances, appuyer sur le bouton mode jusqu'à ce que le témoin Holiday (vacances) s'éteigne.
- Le réglage de la température du réfrigérateur aura pour effet de désactiver automatiquement le mode vacances.

IMPORTANT : Si ce mode est sélectionné, les aliments et boissons doivent être enlevés du réfrigérateur.

Son activé/désactivé

Appuyer sur le bouton pour activer/désactiver le son.

Verrouillage des touches

- Appuyer sur le bouton Lock (verrouillage) pendant 3 secondes pour activer la fonction de verrouillage.
- Pour désactiver le verrouillage, appuyer sur le bouton LOCK (verrouillage) pendant 3 secondes.

La fonction de verrouillage ignore toutes les interactions avec le tableau de commande jusqu'à ce que l'utilisateur déverrouille le panneau. Cette fonction est conçue pour empêcher une modification accidentelle des réglages.

Mode de démonstration (seulement sur les modèles WQ9 B1L, 6WM24NIHAS et WQ70900SXX)

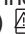
Ce mode est utilisé lorsque le réfrigérateur est exposé dans un magasin de détail ou si on souhaite désactiver le refroidissement et toutes les autres fonctions sauf l'éclairage intérieur.

Le mode de démonstration peut être utilisé pendant de longues vacances. Voir la section "Précautions à prendre pour les vacances ou le déménagement" pour en savoir plus sur la procédure à suivre pour laisser le réfrigérateur dans ce mode pendant des périodes prolongées.

- Si le mode de démonstration est activé, le mot "Demo (démonstration)" s'allume sur l'affichage.
- Accéder et quitter le mode de démonstration en appuyant simultanément sur les boutons Sound On ou OFF (son activé ou désactivé) et Lock (verrouillage) pendant 3 secondes.

Caractéristiques supplémentaires

Alarme de porte ouverte

- La fonction d'alarme de porte ouverte fait résonner une alarme et clignoter l'icône "Door Open" (porte ouverte)  lorsque l'une des quatre portes est ouverte pendant 2 minutes ou plus.
- L'alarme retentit toutes les 5 minutes. Fermer toutes les deux portes pour l'arrêter.

REMARQUE : Pour que l'alarme sonore cesse de retentir tout en gardant les portes ouvertes, comme pendant le nettoyage de l'intérieur du réfrigérateur, appuyer sur n'importe quel bouton du tableau de commande. Le son de l'alarme est temporairement désactivé, mais l'icône de porte ouverte reste affichée sur le tableau de commande.

Eclairage du réfrigérateur

Le réfrigérateur est muni d'une lampe intérieure qui s'allume chaque fois que la porte est ouverte.

REMARQUE : La lampe est à DEL et n'a pas besoin d'être remplacée. Si la DEL ne s'allume pas quand on ouvre la porte, appeler le service de dépannage pour faire changer la lampe.

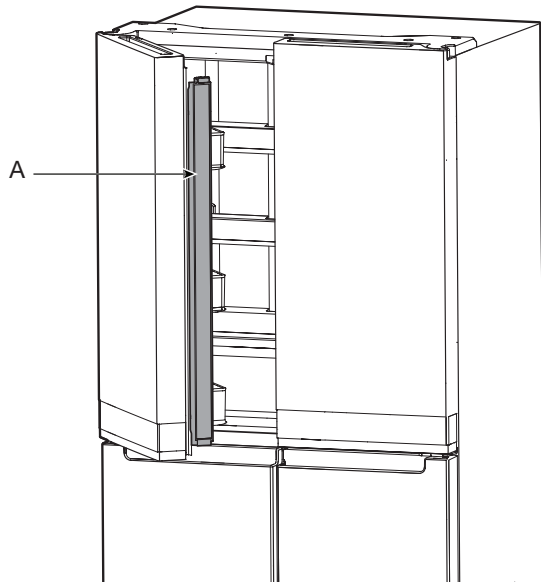
UTILISATION DU RÉFRIGÉRATEUR

Ouverture et fermeture des portes

Il y a deux portes pour le compartiment de réfrigération. Les portes peuvent être ouvertes et fermées séparément ou ensemble. Il y a sur la porte de gauche du réfrigérateur un joint à charnière verticale.

- Lors de l'ouverture de la porte du côté gauche, le joint à charnière se replie automatiquement vers l'intérieur pour qu'il n'y ait pas d'interférence.
- Lorsque les deux portes sont fermées, le joint à charnière assure automatiquement l'étanchéité entre les deux portes.

REMARQUE : Le joint à charnière devrait être à la bonne position (plié vers l'intérieur) lorsque la porte est fermée. Si ce n'est pas le cas, il frappera la porte de droite ou l'axe de fixation.

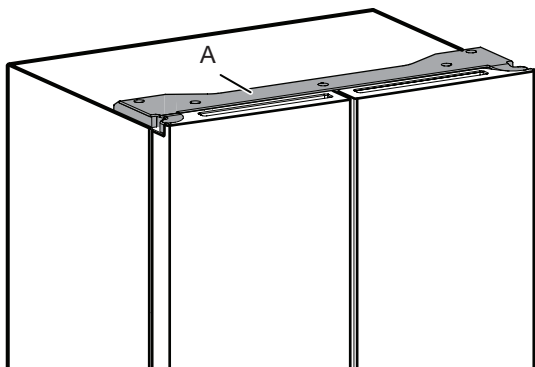


A. Joint à charnière

Le commutateur de la porte du réfrigérateur est situé dans le coin supérieur gauche et le couvercle de la charnière de droite.

- Pour le congélateur et la zone de température multi, le commutateur est situé dans le montant du bas.
- Le commutateur de porte utilise un aimant pour capter l'ouverture et la fermeture de la porte.
- S'assurer qu'aucun aimant ou appareil électronique (enceinte, CoolVox®, etc.) ne se trouve à moins de 7,62 cm du couvre-charnière.

REMARQUE : L'éclairage ne se met pas en marche s'il n'y a pas de détection d'ouverture de porte.



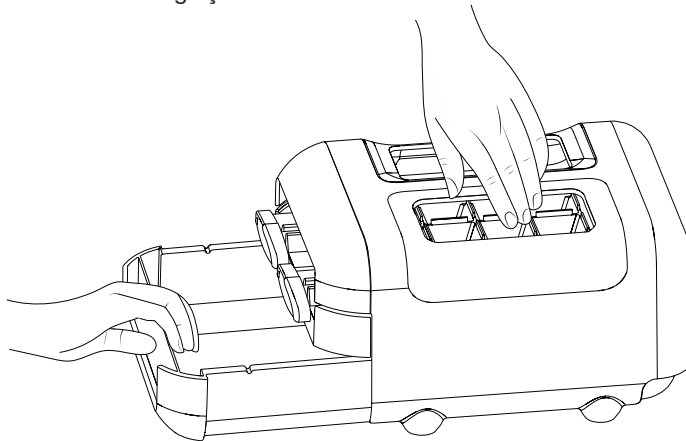
A. Couvre-charnière

Machine à glaçons

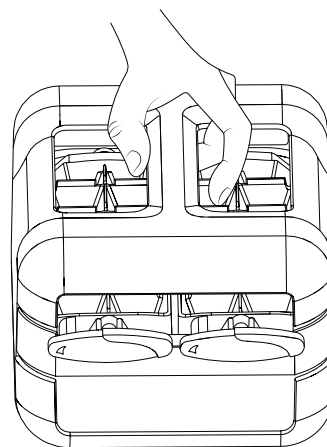
- Pour produire des glaçons, remplir le casier à glaçons d'eau pure et placer la machine à glaçons manuelle sur la tablette du haut du congélateur. Laisser aux glaçons le temps de geler, puis une fois prêts, tourner les boutons dans le sens horaire pour éjecter les glaçons dans le bac à glaçons.



- Soulever légèrement le bac à glaçons, puis le retirer pour accéder aux glaçons.



La machine à glaçons manuelle peut être retirée du congélateur lorsqu'on n'a pas besoin de faire de glaçons pour libérer de l'espace dans le compartiment du congélateur.



Conservation des aliments

Œufs

Il est recommandé de ranger les œufs à une température constante pour en conserver la fraîcheur, l'idéal est de les conserver sur la tablette du centre du réfrigérateur.

TABLETTES, BALCONNETS ET TIROIRS

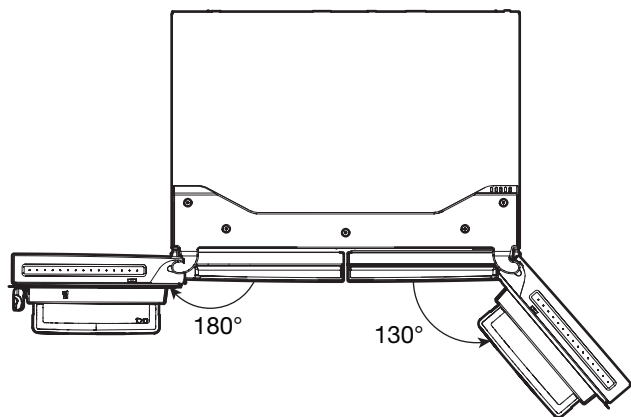
Importants renseignements à savoir au sujet des tablettes et des couvercles en verre :

Ne pas nettoyer les tablettes ou couvercles en verre avec de l'eau tiède quand ils sont froids. Les tablettes et les couvercles peuvent se briser s'ils sont exposés à des changements soudains de température ou à un impact tel que coup brusque. Le verre trempé est conçu pour éclater en d'innombrables pièces minuscules. Ceci est normal. Les tablettes et les couvercles en verre sont lourds. Les saisir à deux mains lors de leur dépose afin d'éviter de les faire tomber.

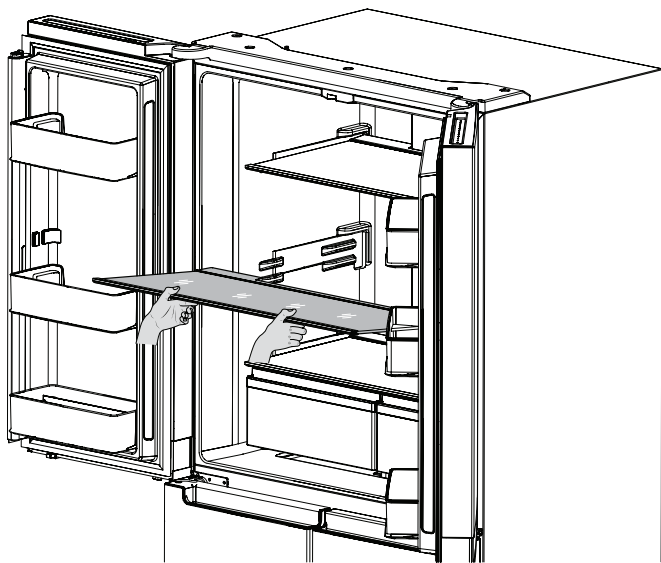
Ajuster la hauteur de tablettes

La hauteur des tablettes peut être ajustée en changeant leur position, des supports du bas aux supports du haut ou inversement.

- Ouvrir complètement la porte de droite.
- Ouvrir complètement la porte de gauche, puis soulever la porte pour l'ouvrir à 180°.



- Retirer l'étagère du réfrigérateur, puis la replacer à la position souhaitée.



- S'assurer que la tablette est convenablement remise en place sur ses supports.

Tablettes et cadres de tablettes

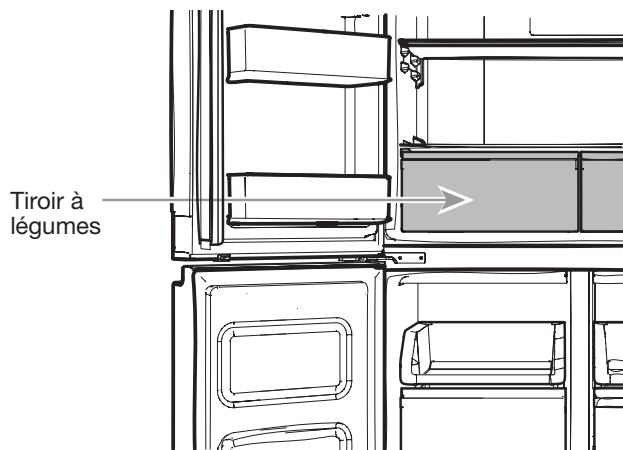
Les tablettes de réfrigérateur sont ajustables afin de s'adapter à vos besoins de rangement.

Afin de pouvoir trouver plus facilement l'article recherché, on peut remettre ensemble des aliments semblables dans le réfrigérateur et ajuster les tablettes pour les adapter aux différentes tailles d'articles. Ceci réduira également la durée d'ouverture de la porte du réfrigérateur et permettra d'économiser de l'énergie.

Pour enlever et réinstaller les tablettes :

1. Ouvrir complètement la porte de droite et de gauche, puis soulever la porte de gauche pour l'ouvrir à 180°.
2. Ôter la tablette du milieu ou supérieure en la soulevant pour la sortir des supports de tablette. Tirer ensuite sur la tablette et l'incliner en position verticale vers le bas. Incliner la tablette à un angle et la retirer du réfrigérateur.
3. Ôter la tablette du bas en la soulevant pour la sortir des supports de tablette. Tirer ensuite sur la tablette en l'inclinant à la verticale vers le haut. Incliner la tablette à un angle et la retirer du réfrigérateur.
4. Replacer la tablette du milieu et du haut en les plaçant dans le réfrigérateur en utilisant un angle et en maintenant l'avant de la tablette vers le bas. Soulever l'avant de la tablette vers le haut et la glisser vers l'intérieur jusqu'à ce que l'arrière de la tablette se place sur les supports de tablette. Abaisser l'avant de la tablette et s'assurer que la tablette est bien en position.
5. Replacer la tablette du bas en la plaçant dans le réfrigérateur en utilisant un angle, l'avant de la tablette vers le haut. Abaisser l'avant de la tablette et la glisser à l'intérieur jusqu'à ce que l'arrière de la tablette se place sur les supports de tablette. Abaisser l'avant de la tablette et s'assurer que la tablette est bien en position.

Tiroirs à légumes

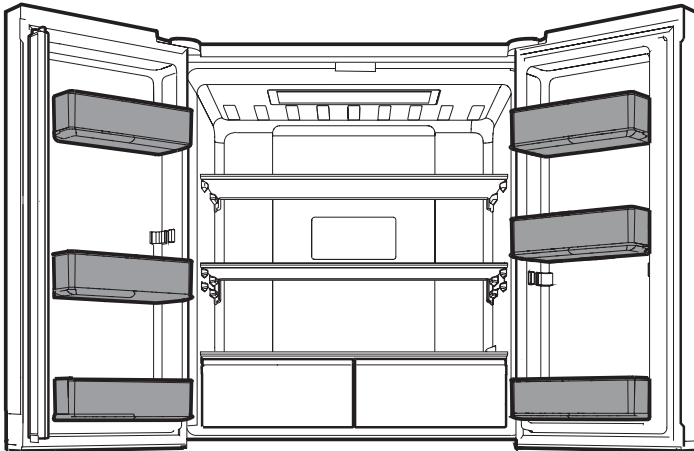


Enlever et réinstaller les tiroirs à légumes :

1. Saisir la poignée du tiroir à légumes et le tirer jusqu'à la butée. Soulever le tiroir à légumes hors des guides inférieurs.
2. Replacer le tiroir à légumes en le plaçant sur la glissière inférieure du tiroir à légumes et en le poussant au-delà de la butée d'arrêt du tiroir.

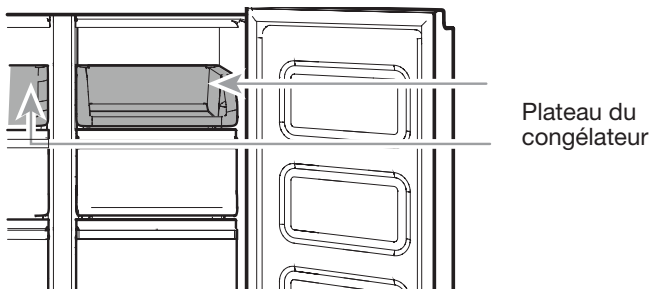
Balconnets du réfrigérateur

Les balconnets dans les portes du réfrigérateur sont ajustables afin de s'adapter à vos besoins de rangement.



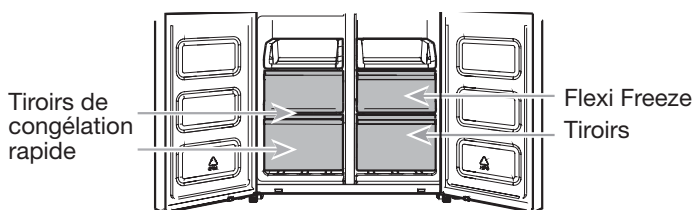
Compartiments de rangement du congélateur

Plateau du congélateur



Le plateau du congélateur est pratique pour facilement accéder aux produits les plus utilisés, congeler ou simplement ranger les restants et les petits articles.

Tiroirs du congélateur



Compartiment de congélation rapide

- Les tiroirs de congélation rapide permettent de facilement ranger de grandes quantités d'articles.
- L'option de congélation rapide permet de ranger en toute sécurité et transparence vos aliments surgelés.

REMARQUE : La température du congélateur peut atteindre celle du compartiment Flexible Freezer lorsqu'elle est placée à un réglage plus chaud que celui du compartiment Flexible Freezer.

Compartiment Flexi Freeze (seulement sur les modèles WQ9 B1L, 6WM24NIHAS et WQ70900SXX)

Le compartiment Flexi Freeze permet de sélectionner l'un des trois réglages de température de congélation : -7 °C, -12 °C, -18 °C et -20 °C pour fournir les meilleures conditions de rangement pour différents types d'aliments.

Pour obtenir une capacité de rangement maximum, il est possible d'enlever le tiroir du congélateur pour utiliser la tablette.

Pour retirer le tiroir supérieur :

1. Saisir la poignée du tiroir et le tirer jusqu'à la butée. Retirer le tiroir des guides inférieurs.
2. Replacer le tiroir en le plaçant sur la glissière inférieure du tiroir et en le poussant au-delà de la butée d'arrêt du tiroir.

Tablette du congélateur (seulement sur les modèles WQ9 E1L et WQ9 B1L)

Pour maximiser la capacité du congélateur, il est possible d'enlever le tiroir du milieu pour utiliser la tablette du dessous. Il est ensuite possible de ranger des articles dans le tiroir du haut, ainsi que directement sur la tablette.

Référence audio

Tonalités

Nom de tonalité	Exemples d'utilisation
Mise sous tension	Le système de refroidissement se met en marche dès que le produit est alimenté.
Touche à utiliser	L'utilisateur appuie sur une touche valide.
Invalide (erreur)	L'utilisateur appuie sur deux boutons valides ou plus en même temps. Le compte à rebours est interrompu pendant la pression des boutons.
Accès	Reconnaissance d'accès à un mode.
Sortie	Reconnaissance de sortie d'un mode.
Alerte	Avertissement de porte entrouverte.

Tableau de référence rapide seulement. Consulter la section correspondante pour plus de détails. En cas de différence, utiliser les renseignements de la section.

Accessoires

Pour commander des accessoires, contacter le marchand chez qui le réfrigérateur a été acheté.

Assistance ou dépannage

Avant de faire un appel d'assistance ou de service, consulter la section "Dépannage". Cette vérification peut vous faire économiser le coût d'une intervention de dépannage. Pour de l'aide supplémentaire, suivre les instructions ci-dessous.

Pour obtenir des pièces de rechange

Pour localiser des pièces de rechange spécifiées par l'usine dans votre région, contacter le revendeur auprès duquel le réfrigérateur a été acheté.

Garantie

Contacter le marchand auprès duquel le réfrigérateur a été acheté pour des renseignements au sujet de la garantie.

Conserver ce manuel et le reçu de vente au même endroit pour référence ultérieure. Pour un entretien ou une réparation sous garantie, un document attestant de la date d'achat ou d'installation doit être fourni.

Inscrire les renseignements suivants concernant l'appareil ménager pour obtenir de l'aide ou une intervention de dépannage en cas de besoin. Vous devez fournir le numéro de modèle et le numéro de série au complet. Ces renseignements se trouvent sur la plaque signalétique située sur la paroi intérieure du compartiment de réfrigération.

Nom du marchand _____

Numéro de série _____

Adresse _____

Numéro de téléphone _____

Numéro de modèle _____

Date d'achat _____

ENTRETIEN DU RÉFRIGÉRATEUR

Nettoyage

⚠ AVERTISSEMENT



Risque d'explosion

Utiliser un produit nettoyant ininflammable.

Le non-respect de cette instruction peut entraîner la mort, une explosion ou un incendie.

Tous les compartiments - réfrigérateur, congélateur et Flexi Freeze (seulement sur les modèles WQ9 B1L, 6WM24NIHAS et WQ70900SXX) se dégivrent automatiquement. Toutefois, nettoyer tous les compartiments environ une fois par mois pour éviter une accumulation d'odeurs. Essuyer les renversements immédiatement.

Nettoyage des surfaces externes

Consulter les instructions de nettoyage extérieur relatives à votre modèle.

Style 1 – Porte lisse

IMPORTANT : Les dommages au revêtement lisse en raison d'un mauvais usage des produits nettoyants ou de l'utilisation de produits nettoyants non recommandés ne sont pas couverts par la garantie. Des instruments aiguisés ou coupants dépareraient le revêtement.

UTILISER	NE PAS UTILISER
✓ Chiffon doux et propre	<ul style="list-style-type: none"> ✗ Chiffons abrasifs ✗ Essuie-tout ou papier journal ✗ Tampon en laine d'acier
✓ Eau tiède et savonneuse avec détergent doux	<ul style="list-style-type: none"> ✗ Poudres ou liquides abrasifs ✗ Nettoyants à vitre en atomiseurs ✗ Ammoniaque ✗ Nettoyants acides ou à base de vinaigre ✗ Nettoyants à four ✗ Liquides inflammables

REMARQUE : Les essuie-tout peuvent érafler et ternir le revêtement transparent de la porte peinte. Afin d'éviter tout dommage éventuel, utiliser des chiffons en tissu doux pour polir et essuyer les portes.

Style 2 – Acier inoxydable

IMPORTANT :

- N'utiliser que les produits de nettoyage et les lingettes pour acier inoxydable uniquement. Les dommages au revêtement en acier inoxydable en raison d'un mauvais usage des produits nettoyants ou de l'utilisation de produits nettoyants non recommandés ne sont pas couverts par la garantie.
- Ne pas exposer les électroménagers en acier inoxydable à des éléments caustiques ou corrosifs tels que le sel, un niveau élevé d'humidité ou des environnements très humides. Les dommages causés par l'exposition à de tels éléments ne sont pas couverts par la garantie.

UTILISER	NE PAS UTILISER
✓ Chiffon doux et propre	<ul style="list-style-type: none"> ✗ Chiffons abrasifs ✗ Essuie-tout ou papier journal ✗ Tampon en laine d'acier
✓ Eau tiède et savonneuse avec détergent doux	<ul style="list-style-type: none"> ✗ Poudres ou liquides abrasifs ✗ Ammoniaque ✗ Nettoyants à base d'agrumes ✗ Nettoyants acides ou à base de vinaigre ✗ Nettoyants à four
✓ Pour les saletés importantes, utiliser uniquement un nettoyant pour acier inoxydable conçu pour les appareils concernés. Pour commander le nettoyant, contacter le marchand chez qui le réfrigérateur a été acheté.	<ul style="list-style-type: none"> ✗ Le nettoyant pour acier inoxydable doit être utilisé sur les pièces en acier inoxydable uniquement. Veiller à ce que le nettoyant et poli pour acier inoxydable n'entre pas en contact avec les pièces de plastique comme les garnitures, couvercles de distributeurs ou joints de porte.

Style 3 – Acier inoxydable résistant aux traces de doigts

IMPORTANT :

- Ne pas exposer les électroménagers en acier inoxydable à des éléments caustiques ou corrosifs tels que le sel, un niveau élevé d'humidité ou des environnements très humides. Les dommages causés par l'exposition à de tels éléments ne sont pas couverts par la garantie.

UTILISER	NE PAS UTILISER
✓ Chiffon doux et propre	<ul style="list-style-type: none"> ✗ Chiffons abrasifs ✗ Essuie-tout ou papier journal ✗ Tampon en laine d'acier
✓ Eau tiède et savonneuse avec détergent doux	<ul style="list-style-type: none"> ✗ Poudres ou liquides abrasifs ✗ Nettoyants à vitre en atomiseurs ✗ Ammoniaque ✗ Nettoyants acides ou à base de vinaigre ✗ Nettoyants à four ✗ Liquides inflammables

REMARQUES :

- En cas de contact non intentionnel, nettoyer la pièce de plastique avec une éponge et un détergent doux dans de l'eau tiède. Sécher soigneusement avec un chiffon doux.
- Un nettoyant sous forme liquide ne signifie pas forcément qu'il n'est pas abrasif. Beaucoup de nettoyants liquides formulés pour nettoyer le carrelage et autres surfaces lisses en douceur peuvent tout de même endommager l'acier inoxydable.
- L'acide citrique décolore l'acier inoxydable de façon définitive.
- Afin d'éviter d'endommager le fini en acier inoxydable du réfrigérateur :

Ne pas laisser les produits suivants pendant une durée prolongée sur le revêtement :

- ✗ Moutarde
- ✗ Jus de tomate
- ✗ Sauce marinara
- ✗ Sauces à base d'agrumes
- ✗ Produits à base d'agrumes

Nettoyage de l'intérieur

1. Débrancher le réfrigérateur ou déconnecter la source de courant électrique.
2. Laver à la main, rincer et sécher les pièces amovibles et les surfaces internes soigneusement. Utiliser une éponge propre ou un linge doux et un détergent doux dans de l'eau tiède.
REMARQUE : Ne pas utiliser de nettoyeurs puissants ou abrasifs tels que les nettoyeurs à vitre en atomiseurs, nettoyeurs à récurer, liquides inflammables, cires nettoyantes, détergents concentrés, agents de blanchiment ou nettoyeurs contenant du pétrole sur les pièces en plastique, les garnitures intérieures et garnitures de portes ou sur les joints de portes.
3. Brancher le réfrigérateur ou reconnecter la source de courant électrique.

Condensateur

Ce réfrigérateur est muni de chaque côté de condenseurs par surface. Il est normal de sentir de la chaleur sur les côtés.

Lampes

Les lampes dans le réfrigérateur et le congélateur sont à DEL et n'ont pas besoin d'être remplacées. Si la lampe ne s'allume pas à l'ouverture de la porte, contacter le marchand chez qui le réfrigérateur a été acheté.

Précautions à prendre pour les vacances ou le déménagement

Vacances

Si le réfrigérateur est laissé en marche pendant son absence :

1. Consommer toutes les denrées périssables et congeler les autres articles.
2. Si le réfrigérateur comporte une machine à glaçons automatique et qu'il est raccordé à la source d'approvisionnement en eau du domicile, fermer la source d'approvisionnement en eau du réfrigérateur. Des dommages matériels peuvent subvenir si l'alimentation en eau n'est pas coupée.
3. Si votre machine à glaçons est automatique, éteindre la machine à glaçons.
 - Mettre le commutateur de la machine à glaçons de la porte sur arrêt (O).
4. Vider le bac à glaçons.

Si l'utilisateur choisit d'arrêter le réfrigérateur avant son absence :

REMARQUE : Placer le réfrigérateur en mode de démonstration lors d'une absence. Voir la section "Utilisation des commandes".

1. Enlever tous les aliments du réfrigérateur.
2. Si le réfrigérateur est équipé d'une machine à glaçons automatique :
 - Fermer l'approvisionnement en eau de la machine à glaçons au moins un jour à l'avance.
 - Lorsque les derniers glaçons tombent, appuyer sur le commutateur de fermeture (O) pour éteindre l'affichage du haut, à l'intérieur du réfrigérateur, selon le modèle.
3. Vider le bac à glaçons.
4. Éteindre les commandes de température. Voir la section "Utilisation des commandes".
5. Nettoyer le réfrigérateur, l'essuyer et bien le sécher.
6. À l'aide d'un ruban adhésif, placer des blocs de caoutchouc ou de bois dans la partie supérieure de chaque porte de façon à ce qu'elles soient suffisamment ouvertes pour permettre à l'air d'entrer et d'éviter l'accumulation d'odeur ou de moisissure.

Déménagement

En cas de déménagement et de déplacement du réfrigérateur dans une nouvelle habitation, suivre ces étapes pour préparer le déménagement.

1. Si le réfrigérateur est équipé d'une machine à glaçons automatique :
 - Fermer l'approvisionnement en eau de la machine à glaçons au moins un jour à l'avance.
 - Débrancher la canalisation d'eau de l'arrière du réfrigérateur.
 - Lorsque les derniers glaçons tombent, appuyer sur le commutateur (O) pour fermer la machine à glaçons de la porte ou les commandes, selon le modèle.
2. Retirer tous les aliments du réfrigérateur et placer tous les aliments congelés dans de la neige carbonique.
3. Vider le bac à glaçons.
4. Débrancher le réfrigérateur.
5. Bien nettoyer, essuyer et sécher.
6. Retirer toutes les pièces amovibles, bien les envelopper et les attacher ensemble avec du ruban adhésif pour qu'elles ne bougent et ne s'entrechoquent pas durant le déménagement.
7. Selon le modèle, soulever l'avant du réfrigérateur pour qu'il roule plus facilement ou soulever les pieds de nivellement pour qu'ils n'égratignent pas le plancher. Consulter la section "Ajustement des portes" ou "Fermeture et alignement des portes".
8. Fermer les portes à l'aide de ruban adhésif et fixer le cordon d'alimentation à la partie arrière du réfrigérateur.

Lors de l'arrivée au nouveau domicile, remettre tout en place et consulter la section "Instructions d'installation" pour les instructions de préparation. Aussi, si le réfrigérateur comporte une machine à glaçons automatique, ne pas oublier de rebrancher l'approvisionnement en eau au réfrigérateur.

DÉPANNAGE

Essayer d'abord les solutions suggérées ici pour éviter une intervention de dépannage.

⚠ AVERTISSEMENT



Risque de choc électrique

Brancher sur une prise de terre (reliée à la masse).

Ne pas retirer la broche de terre.

Ne pas utiliser d'adaptateur.

Ne pas utiliser de rallonge.

Le non-respect de ces instructions peut entraîner la mort, un incendie ou un choc électrique.

Si les problèmes suivants surviennent	Causes possibles	Solution
Fonctionnement du réfrigérateur		
Le réfrigérateur ne fonctionne pas.	Inspecter l'alimentation électrique.	Brancher le cordon d'alimentation dans une prise reliée à la terre.
		Ne pas utiliser de rallonge.
		S'assurer que la prise est alimentée. Brancher une lampe pour voir si la prise fonctionne.
		Réarmer le disjoncteur déclenché. Remplacer tout fusible grillé. REMARQUE : Si le problème persiste, appeler un électricien.
	Inspecter les commandes.	S'assurer que les commandes sont activées. Voir la section "Utilisation des commandes".
Nouvelle installation.	Accorder 24 heures après l'installation pour que le réfrigérateur se refroidisse complètement. REMARQUE : Le fait de placer les commandes de température sur le réglage le plus froid ne refroidira pas le compartiment plus rapidement.	
Les commandes du réfrigérateur sont en mode de démonstration (sur certains modèles).	Si le réfrigérateur est en mode de démonstration, le refroidissement est désactivé et "Demo" (démonstration) s'allume sur le tableau de commande. Consulter la section "Utilisation des commandes" pour plus de renseignements.	
Le moteur semble fonctionner excessivement.	Compresseur et ventilateur à rendement élevé.	Un réfrigérateur éconergique de grande taille fonctionne à une vitesse inférieure et plus éconergique que d'autres appareils.
	La température de la pièce ou la température extérieure est élevée.	Il est normal que le réfrigérateur fonctionne pendant plus longtemps dans ces conditions. Pour un rendement optimal, placer le réfrigérateur dans un environnement d'intérieur à température stable. Voir la section "Exigences d'emplacement".
	Une grande quantité d'aliments tièdes a été récemment ajoutée.	Lorsqu'on place des aliments tièdes dans le réfrigérateur, l'appareil fonctionne plus longtemps : jusqu'à ce que l'air soit refroidi à la température désirée.
	Les portes sont ouvertes fréquemment ou pendant trop longtemps.	L'air tiède qui entre dans le réfrigérateur prolonge son fonctionnement. Ouvrir la porte moins souvent.
	La porte du réfrigérateur ou du tiroir du congélateur est ouverte.	Vérifier que le réfrigérateur est de niveau. Consulter la section "Fermeture et alignement des portes". Empêcher les aliments et les récipients d'obstruer la porte.
	La commande du réfrigérateur est placée à un réglage trop froid.	Placer la commande du réfrigérateur à un réglage moins froid jusqu'à ce que la température du réfrigérateur souhaitée soit atteinte.
	Le joint de la porte ou du tiroir est sale, usagé ou craquelé.	Nettoyer ou remplacer le joint d'étanchéité. Si le joint de la porte présente des fuites, le réfrigérateur fonctionnera plus longtemps pour maintenir la température souhaitée.

DÉPANNAGE

Essayer d'abord les solutions suggérées ici pour éviter une intervention de dépannage.

Si les problèmes suivants surviennent	Causes possibles	Solution
Les ampoules ne fonctionnent pas.	Votre réfrigérateur est muni de DEL qui ne doivent pas être remplacées par l'utilisateur.	Si le réfrigérateur est alimenté, mais que les DEL ne fonctionnent pas lorsqu'une porte ou un tiroir est ouvert, communiquer avec le service pour obtenir de l'aide.
	Les portes ont été ouvertes pendant plus de 10 minutes.	Fermer les portes et le tiroir à réinitialiser, puis les rouvrir pour reprendre la tâche illuminée.
	Le contacteur de la porte ne détecte pas l'ouverture de la porte.	S'assurer qu'aucun aimant ou appareil électronique ne se trouve à moins de 7,62 cm (3 po) du couvre-charnière.
L'IU des commandes de température ne s'allume pas.	L'IU des commandes de température est en veille.	Appuyer sur un bouton de l'IU pour activer l'IU des commandes de température.
	Les boutons de l'IU des commandes de température ne fonctionnent pas bien.	Essayer d'éteindre, puis de rallumer le réfrigérateur pour réinitialiser les boutons. Si le problème continue, faire un appel pour obtenir un entretien ou de l'aide.
	L'IU des commandes de température n'est pas alimenté.	Vérifier le faisceau de câblage dans la charnière de porte.
Incapable d'effectuer les réglages sur l'IU des commandes de température.	La porte est ouverte et l'alarme de porte entrouverte est activée.	Fermer la porte.
Sons inhabituels		
Pour écouter des bruits qui font partie du fonctionnement normal du réfrigérateur, consulter la section Aide avec le produit/FAQ du site Web de notre marque à la section "Bruits normaux". Voici une liste de sons normaux, accompagnée d'explications.		
Le réfrigérateur semble bruyant.	Le compresseur de votre nouveau réfrigérateur régule la température plus efficacement tout en utilisant moins d'énergie ; il fonctionne aussi plus silencieusement.	Les bruits de fonctionnement étant moins importants, il sera possible de remarquer des bruits inconnus qui sont en réalité normaux.
Bruit du compresseur qui fonctionne plus longtemps que prévu.	Compresseur et ventilateur à rendement élevé.	Les réfrigérateurs plus gros et efficaces fonctionnent plus longtemps à des vitesses inférieures et plus éconergiques.
Pulsation/bruissement	Les ventilateurs/ le compresseur qui se règlent pour optimiser le rendement durant le fonctionnement normal du compresseur.	Ceci est normal.
Éclatement	Contraction/expansion des parois internes, surtout lors du refroidissement initial.	Ceci est normal.
Sifflement/égouttement	Écoulement de liquide réfrigérant ou d'huile dans le compresseur.	Ceci est normal.
Vibration	Le réfrigérateur n'est peut-être pas stable.	Ajuster les vis de nivellement et abaisser le pied de nivellement avant de façon à ce qu'il soit bien en contact avec le plancher. Consulter la section "Fermeture et alignement des portes".
Grésillement	De l'eau dégoutte sur l'élément de chauffage durant le programme de dégivrage.	Ceci est normal.
Écoulement d'eau/gargouillement	Peut se produire lorsque la glace fond lors du programme de dégivrage et que l'eau s'écoule dans le plateau de dégivrage.	Ceci est normal.

DÉPANNAGE

Essayer d'abord les solutions suggérées ici pour éviter une intervention de dépannage.

Si les problèmes suivants surviennent	Causes possibles	Solution
Température et humidité		
La température est trop élevée.	Le réfrigérateur vient d'être installé.	Accorder 24 heures après l'installation pour que le réfrigérateur se refroidisse complètement.
	Le réglage des commandes n'est pas adapté à l'environnement de l'appareil.	Régler les commandes à un cran plus froid. Vérifier la température au bout de 24 heures. Voir la section "Utilisation des commandes".
	La/les portes sont ouvertes fréquemment ou ne sont pas complètement fermées. Ceci permet à l'air chaud de pénétrer dans le réfrigérateur.	Réduire les ouvertures de porte et garder les portes complètement fermées.
	Une grande quantité d'aliments a été récemment ajoutée.	Attendre quelques heures pour permettre au réfrigérateur de revenir à une température normale.
	Mode de démonstration activé.	Désactiver le mode de démonstration. Voir la section "Utilisation des commandes".
	Le mode vacances est activé.	Désactiver le mode vacances. Voir la section "Utilisation des commandes".
La température est trop basse dans le réfrigérateur/tiroir à légumes.	L'ouverture/les ouvertures d'évacuation du réfrigérateur est/sont bloquée(s).	Si l'ouverture d'évacuation située au milieu à l'arrière du compartiment de réfrigération est obstruée par des articles placés directement devant, le réfrigérateur sera trop froid. Éloigner les objets de l'ouverture d'évacuation.
	Le réglage des commandes n'est pas adapté à l'environnement de l'appareil.	Régler les commandes à un cran plus chaud. Vérifier la température au bout de 24 heures. Voir la section "Utilisation des commandes".
La température est trop basse dans le tiroir à température contrôlée.	Le réglage des commandes n'est pas adapté aux articles rangés dans le tiroir.	Modifier le réglage de température. Consulter la partie "Utilisation des commandes" dans la section "Utilisation du réfrigérateur".
Il y a de l'humidité à l'intérieur. REMARQUE : Il est normal qu'un peu d'humidité s'accumule à l'intérieur.	La pièce est humide.	Un environnement humide contribue à l'accumulation d'humidité.
	La/les portes sont ouvertes fréquemment ou ne sont pas complètement fermées. Cela permet à l'air humide de pénétrer dans le réfrigérateur.	Réduire les ouvertures de porte et garder les portes complètement fermées.
	Une porte est bloquée en position ouverte.	Déplacer les emballages d'aliments pour libérer la porte.
	Un compartiment ou une tablette bloque le passage.	Replacer le compartiment ou la tablette correctement.
	Entreposage de liquides dans des récipients ouverts.	Cela ajoute de l'humidité à l'intérieur du réfrigérateur. Bien fermer tous les récipients.
Du givre ou de la glace s'est accumulé dans le compartiment de congélation.	La porte est fréquemment ouverte ou est laissée ouverte.	Réduire les ouvertures de la porte et garder le tiroir complètement fermé après utilisation.
	Mauvaise étanchéité du joint de la porte.	S'assurer que les joints de porte sont en parfait contact avec la caisse du réfrigérateur pour que l'étanchéité soit assurée.
	Les commandes de température ne sont pas correctement réglées.	Consulter la section "Utilisation des commandes" pour connaître les réglages de température recommandés.

DÉPANNAGE

Essayer d'abord les solutions suggérées ici pour éviter une intervention de dépannage.

⚠ AVERTISSEMENT



Risque d'explosion
Utiliser un produit nettoyant ininflammable.
Le non-respect de cette instruction peut entraîner la mort, une explosion ou un incendie.

Pour voir une vidéo détaillant l'ajustement et l'alignement des portes, consulter la section Aide avec le produit/FAQ du site Web de notre marque et chercher "Fermeture et alignement des portes".

Si les problèmes suivants surviennent	Causes possibles	Solution
Portes		
La porte ne ferme pas complètement.	La porte est bloquée en position ouverte.	Déplacer les emballages d'aliments pour libérer la porte.
	Un compartiment ou une tablette bloque le passage.	Replacer le compartiment ou la tablette correctement.
	Récemment installé	Enlever tous les matériaux d'emballage.
Les portes sont difficiles à ouvrir.	Les joints de la porte sont collants ou sales.	Nettoyer les joints et les surfaces de contact au savon doux et à l'eau tiède. Rincer et sécher avec un linge doux.
Les portes semblent mal alignées.	Les portes doivent être alignées ou l'aplomb du réfrigérateur effectué.	Communiquer avec le service si la porte doit être alignée.
Le réfrigérateur est instable ou roule vers l'avant lorsqu'on ouvre ou ferme les portes.	Les pieds de nivellement ne sont pas fermement en appui sur le sol.	Tourner les deux pieds de stabilisation (un de chaque côté) du même nombre de tours dans le sens antihoraire, jusqu'à ce qu'ils soient fermement en appui sur le sol. Consulter la section "Fermeture et alignement des portes".

Содержание

БЕЗОПАСНОСТЬ ЭКСПЛУАТАЦИИ ХОЛОДИЛЬНИКА	76
Надлежащая утилизация вашего старого холодильника	79
СОСТАВНЫЕ ЧАСТИ И ФУНКЦИИ	80
УКАЗАНИЯ ПО УСТАНОВКЕ	81
Начало работы	81
Распаковка холодильника.....	81
Требования к помещению.....	82
Требования к электрическому подключению и электробезопасности	82
Снятие и перевешивание дверец холодильника.....	84
Снятие и установка на место дверцы морозильной камеры/отделения Flexi Freeze	86
Выравнивание холодильника.....	87
Использование органов управления	88
Внутреннее освещение холодильника.....	90
ЭКСПЛУАТАЦИЯ ХОЛОДИЛЬНИКА	91
Открывание и закрывание дверец.....	91
Хранение продуктов.....	91
ПОЛКИ, ДВЕРНЫЕ ЯЩИЧКИ И ВЫДВИЖНЫЕ ЯЩИКИ	92
Отделения морозильной камеры.....	93
Таблица звуковых сигналов	93
Дополнительные принадлежности	94
Ремонт или сервисное обслуживание.....	94
УХОД ЗА ХОЛОДИЛЬНИКОМ	95
Чистка	95
Освещение.....	96
Отпуск и транспортировка	96
ПОИСК И УСТРАНЕНИЕ НЕИСПРАВНОСТЕЙ	97
Таблица	102

БЕЗОПАСНОСТЬ ЭКСПЛУАТАЦИИ ХОЛОДИЛЬНИКА

Ваша безопасность и безопасность других людей очень важны.

В настоящем руководстве и на самом приборе имеется большое количество сообщений, относящихся к безопасности. Всегда читайте все сообщения, относящиеся к безопасности, и соблюдайте содержащиеся в них указания.



Это символ опасности.

Этот символ предупреждает вас о потенциальной опасности, которая может привести к тяжелым и даже смертельным травмам пользователя и других людей.

Все сообщения, относящиеся к безопасности, следуют за символом опасности и словами "ОПАСНОСТЬ" или "ПРЕДУПРЕЖДЕНИЕ".

Эти слова означают:

⚠ ОПАСНОСТЬ

Вы получите тяжелую и даже смертельную травму, если немедленно не последуете приведенным указаниям.

⚠ ПРЕДУПРЕЖДЕНИЕ

Вы можете получить тяжелую и даже смертельную травму, если не последуете приведенным указаниям.

Все сообщения, относящиеся к безопасности, информируют вас о потенциальных опасностях, способах снижения опасности получения травмы и о том, что может произойти в случае несоблюдения приведенных указаний.

УКАЗАНИЯ ПО БЕЗОПАСНОСТИ

Перед тем как приступать к использованию прибора, прочитайте настоящие указания по безопасности. Держите их под рукой для консультаций в будущем. Данные указания, а также сам прибор содержат важные предупреждения по безопасности, которых необходимо постоянно придерживаться. Изготовитель снимает с себя всякую ответственность в случае несоблюдения настоящих указаний по безопасности, ненадлежащего использования прибора или неверной установки органов управления.

⚠ Очень маленьких детей (в возрасте 0-3 лет) не следует подпускать к прибору. Маленьких детей (в возрасте 3-8 лет) можно подпускать к прибору только в том случае, если они находятся под постоянным присмотром. Данное изделие может эксплуатироваться детьми в возрасте 8 лет и старше и лицами с ограниченными физическими, сенсорными или умственными способностями или с недостаточным опытом или знаниями только в том случае, если они находятся под присмотром или после получения соответствующих инструкций, позволяющих им безопасно эксплуатировать изделие и дающих им представление об опасностях, сопряженных с его эксплуатацией. Не позволяйте детям играть с прибором. Дети должны осуществлять чистку прибора или уход за ним, подлежащий выполнению пользователем, только под присмотром взрослых.

РАЗРЕШЕННОЕ ИСПОЛЬЗОВАНИЕ

⚠ **ПРЕДУПРЕЖДЕНИЕ:** Данный прибор не предназначен для работы с управлением от внешнего устройства, например, таймера или отдельного пульта ДУ.

⚠ Данный прибор предназначен для использования в быту, а также в следующих случаях: в магазинах, офисах и иных местах работы в помещениях, используемых под кухню; в кухнях на фермах, в отелях, мотелях, резиденциях и гостиницах типа V&V для пользования отдельными клиентами.

⚠ Данный прибор не предназначен для профессионального применения. Не используйте прибор на открытом воздухе.

⚠ Данный прибор предназначен для работы в помещениях, температура в которых лежит в следующих диапазонах - в соответствии с климатическим классом, указанным на табличке технических данных. Прибор может работать ненадлежащим образом, если на долгое время оставить его при температуре, лежащей вне предусмотренного для него рабочего диапазона.

Климатический класс - Темп. окруж. среды (°C)

SN: От 10 до 32 °C; N: От 16 до 32 °C

ST: От 16 до 38 °C; T: От 16 до 43 °C

ВАЖНЫЕ ПРЕДУПРЕЖДЕНИЯ, КОТОРЫЕ НЕОБХОДИМО ПРОЧИТАТЬ И СОБЛЮДАТЬ

⚠ Данный прибор не содержит хлорфторуглероды (CFC). В его холодильном контуре содержится изобутан R600a (относящийся к углеводородам): Приборы, содержащие изобутан (R600a): изобутан - это природный газ, не оказывающий воздействия на окружающую среду, но являющийся горючим. В связи с этим необходимо проверять трубопроводы холодильного контура на отсутствие повреждений, особенно при опорожнении холодильного контура.

⚠ **ПРЕДУПРЕЖДЕНИЕ:** Будьте осторожны, чтобы не повредить трубопроводы холодильного контура прибора.

⚠ **ПРЕДУПРЕЖДЕНИЕ:** Не допускайте перегорания вентиляционных отверстий прибора или мебели, в которую он встроен.

⚠ **ПРЕДУПРЕЖДЕНИЕ:** Не используйте для ускорения процесса размораживания механические, электрические или химические принадлежности или средства, отличные от рекомендованных изготовителем.

⚠ **ПРЕДУПРЕЖДЕНИЕ:** Не используйте внутри камер прибора и не помещайте в них электрические устройства, кроме разрешенных изготовителем.

⚠ **ПРЕДУПРЕЖДЕНИЕ:** Льдогенераторы и/или диспенсеры воды, которые не подключены непосредственно к водопроводу, следует заполнять только питьевой водой.

⚠ **ПРЕДУПРЕЖДЕНИЕ:** Автоматические льдогенераторы и/или диспенсеры воды должны подсоединяться к водопроводу с только питьевой водой (с напором воды в нем в диапазоне от 0,17 до 0,81 МПа [от 1,7 до 8,1 бар]).

⚠ Не храните в данном приборе взрывоопасные вещества, например, баллончики с аэрозолями.

⚠ Не глотайте содержимое (нетоксичное) пакетов льда (имеющихся на некоторых моделях). Не ешьте кубики льда или мороженое типа эскимо сразу после того, как они вынуты из морозильной камеры, так как это может вызвать ожоги от холода.

⚠ В случае приборов, оснащенных воздушным фильтром, устанавливаемым в доступной для пользователя крышке вентилятора, во время работы холодильника фильтр всегда должен быть установленным на своем месте.

⚠ Не храните в морозильной камере жидкости в стеклянных емкостях, так как они могут лопнуть. Не допускайте, чтобы упаковки с продуктами препятствовали работе вентилятора (если таковой имеется). После закладки продуктов убедитесь, что дверцы камер, особенно морозильной камеры, хорошо закрываются.

⚠ Поврежденные уплотнения необходимо заменять при первой возможности.

△ Используйте холодильную камеру только для хранения свежих продуктов, а морозильную камеру - только для хранения замороженных продуктов, замораживания свежих продуктов и приготовления кубиков льда.

△ Не допускайте, чтобы продукты, хранящиеся в неупакованном виде, касались внутренних поверхностей морозильной или холодильной камеры. Приборы могут иметь специальные отделения (ящик для свежих продуктов, ящик с нулевой температурой и т.д.). Если в паспорте на конкретное изделие не указано иное, эти ящики можно вынуть; при этом эффективность работы холодильника останется прежней.

УСТАНОВКА

△ Перемещение и установку прибора должны производить как минимум два человека - опасность получения травмы. При распаковке и установке используйте защитные перчатки - опасность порезов.

△ Установка, подсоединение к водопроводу (в необходимых случаях) и электрическое подключение должны выполняться квалифицированным техническим специалистом. Не ремонтируйте и не меняйте какие-либо компоненты прибора при отсутствии соответствующих конкретных указаний в руководстве пользователя. Не подпускайте детей к месту установки.

После распаковки прибора убедитесь в том, что он не получил повреждений при транспортировке. В случае каких-либо проблем обратитесь к своему дилеру или в ближайший сервисный центр. После распаковки оставшиеся упаковочные материалы (пластик, пенопластовые части и др.) следует хранить в местах, недоступных для детей - опасность удушья. Перед выполнением каких-либо работ по установке прибор должен быть отключен от сети электропитания - опасность поражения электрическим током. При установке обращайте внимание на то, чтобы не повредить сетевой шнур прибора - опасность поражения электрическим током. Включайте прибор только после завершения его установки.

△ Будьте осторожны при перемещении прибора, чтобы не повредить полы (например, паркет). Установите прибор на полу или опоре, достаточно прочных для того, чтобы выдержать его вес, в помещении, соответствующего его размерам и назначению. Проследите за тем, чтобы прибор не находился вблизи источника тепла, все его четыре ножки устойчиво опирались в пол - для этого отрегулируйте их положение надлежащим образом - и периодически проверяйте, насколько ровно выставлен прибор с помощью спиртового уровня. Перед тем как включить прибор, подождите не менее двух часов для того, чтобы холодильный контур пришел в работоспособное состояние.

△ Для обеспечения надлежащей вентиляции оставьте свободное место с обеих боковых сторон прибора и над ним. Расстояние между задней стенкой прибора и стеной помещения должно составлять 50 мм для предотвращения доступа к нагревающимся поверхностям. Уменьшение этого расстояния увеличит энергопотребление прибора.

△ **ПРЕДУПРЕЖДЕНИЕ:** Во избежание опасности, возможной вследствие неустойчивого положения прибора, необходимо выполнять его установку или крепление в соответствии с указаниями изготовителя. Запрещается устанавливать холодильник таким образом, при котором его задней стенки (конденсатора) касались бы металлический шланг газовой плиты, металлические газовые или водопроводные трубы или электрические провода.

△ При необходимости замены дверец обращайтесь в сервисный центр.

ПРЕДУПРЕЖДЕНИЯ ПО ЭЛЕКТРОБЕЗОПАСНОСТИ

△ Должна иметься возможность отключения прибора от электросети посредством отсоединения вилки от розетки (если к ней есть доступ) или с помощью многополюсного выключателя, устанавливаемого в цепи перед розеткой в соответствии с правилами электромонтажа. Прибор должен быть заземлен в соответствии с национальными стандартами электробезопасности.

△ Не используйте удлинители, разветвители и переходники. После завершения установки электрические компоненты должны быть недоступны для пользователя. Не используйте прибор, стоя на полу босиком или если у вас мокрые руки или ноги. Не пользуйтесь прибором, если у него повреждены сетевой шнур или вилка, если он неисправен или получил повреждение вследствие удара или падения.

△ В случае повреждения сетевого шнура во избежание возникновения опасных ситуаций он должен быть заменен заводом-изготовителем, сотрудником сервисного центра или специалистом с аналогичной квалификацией - опасность поражения электрическим током.

△ **ПРЕДУПРЕЖДЕНИЕ:** При установке прибора следите за тем, чтобы сетевой шнур не оказался зажатым или поврежденным.

△ **ПРЕДУПРЕЖДЕНИЕ:** Не размещайте переносные многогнездовые розетки или портативные источники питания с задней стороны прибора.

ЧИСТКА И УХОД

△ **ПРЕДУПРЕЖДЕНИЕ:** Перед тем как приступить к любым операциям по уходу за прибором, убедитесь в том, что он выключен и отсоединен от электросети; никогда не используйте парочистители - опасность поражения электрическим током.

⚠ Не используйте абразивные или жесткие чистящие средства, такие как спреи для мойки окон, абразивные порошки, воспламеняемые жидкости, чистящий воск, концентрированные моющие средства, отбеливатели или моющие средства, содержащие нефтепродукты, для чистки пластиковых деталей, внутренних и дверных уплотнений и прокладок. Не используйте бумажные полотенца, абразивные губки или другие жесткие чистящие принадлежности.

УТИЛИЗАЦИЯ УПАКОВОЧНЫХ МАТЕРИАЛОВ
Упаковочные материалы на 100% подлежат вторичной переработке и промаркированы соответствующим символом ♻.

Поэтому утилизация различных частей упаковки должна производиться ответственно и в полном соответствии с местными нормативами, регулирующими утилизацию отходов.

УТИЛИЗАЦИЯ БЫТОВЫХ ЭЛЕКТРОПРИБОРОВ

Данный прибор изготовлен из материалов, пригодных к вторичной переработке или повторному использованию. Утилизируйте его в соответствии с местными правилами по утилизации отходов. Более подробную информацию о том, как следует обращаться с прибором, а также о его сдаче и переработке можно получить в соответствующем местном органе власти, службе сбора бытовых отходов или в магазине, в котором было приобретено это изделие. Данный прибор имеет маркировку в соответствии с Европейской директивой 2012/19/EU по утилизации электрического и электронного оборудования (WEEE). Обеспечив правильную утилизацию данного изделия, вы сможете предотвратить негативные последствия для окружающей среды и здоровья людей.

Символ ⚡ на самом изделии или на сопроводительной документации указывает на то, что в случае вывода изделия из эксплуатации с ним нельзя обращаться как с обычными бытовыми отходами; вместо этого его следует сдать в специализированный центр сбора электронных и электрических приборов для последующей утилизации.

РЕКОМЕНДАЦИИ ПО ЭКОНОМИИ ЭНЕРГИИ

Устанавливайте прибор в сухом хорошо вентилируемом помещении вдали от источников тепла (например, радиаторов отопления, кухонных плит и т.д.) в месте, не подверженном воздействию прямых солнечных лучей. При необходимости используйте теплоизолирующую панель.

Для обеспечения надлежащей вентиляции следуйте указаниям по установке. Недостаточная вентиляция с задней стороны прибора увеличивает потребление энергии и уменьшает эффективность охлаждения.

Частое открывание дверец может привести к увеличению потребления энергии. На температуру внутри прибора и величину энергопотребления могут влиять температура в помещении и место расположения прибора. Температуру следует задавать с учетом этих факторов.

Открывайте дверцу как можно реже.

При размораживании замороженных продуктов помещайте их в холодильную камеру. Низкая температура замороженных продуктов будет способствовать охлаждению продуктов, находящихся в холодильной камере. Дайте горячим продуктам и напиткам остыть перед тем, как помещать их в холодильник.

Расположение полок внутри холодильника не оказывает влияния на его энергоэффективность. Продукты следует размещать на полках таким образом, чтобы обеспечивалась надлежащая циркуляция воздуха (упаковки не должны касаться друг друга, а между упаковками и задней стенкой холодильника должно оставаться свободное пространство).

Вы можете увеличить полезный объем морозильной камеры, вынув из нее корзины или полку Stop Frost, если таковая имеется.

Не беспокойтесь при появлении издаваемых компрессором звуков, которые указаны в качестве нормальных в кратком справочном руководстве на данный прибор.



Надлежащая утилизация вашего старого холодильника

⚠ ПРЕДОСТЕРЕЖЕНИЕ

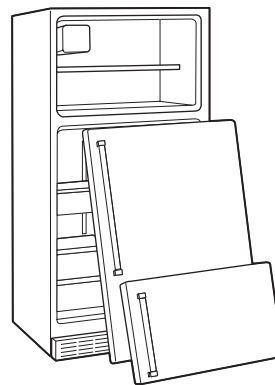
Опасность удушья

Снимите дверцы с вашего старого холодильника. В противном случае возможны летальный исход или поражение головного мозга.

ВАЖНАЯ ИНФОРМАЦИЯ: Опасность того, что дети могут оказаться в ловушке в закрытом холодильнике и задохнуться, не осталась в прошлом. Выброшенные или оставленные без присмотра холодильники все еще опасны - даже если их оставили «всего на несколько дней». Если вы хотите избавиться от своего старого холодильника, придерживайтесь нижеприведенных указаний для предупреждения несчастных случаев.

Перед тем как выбрасывать ваш старый холодильник или морозильник:

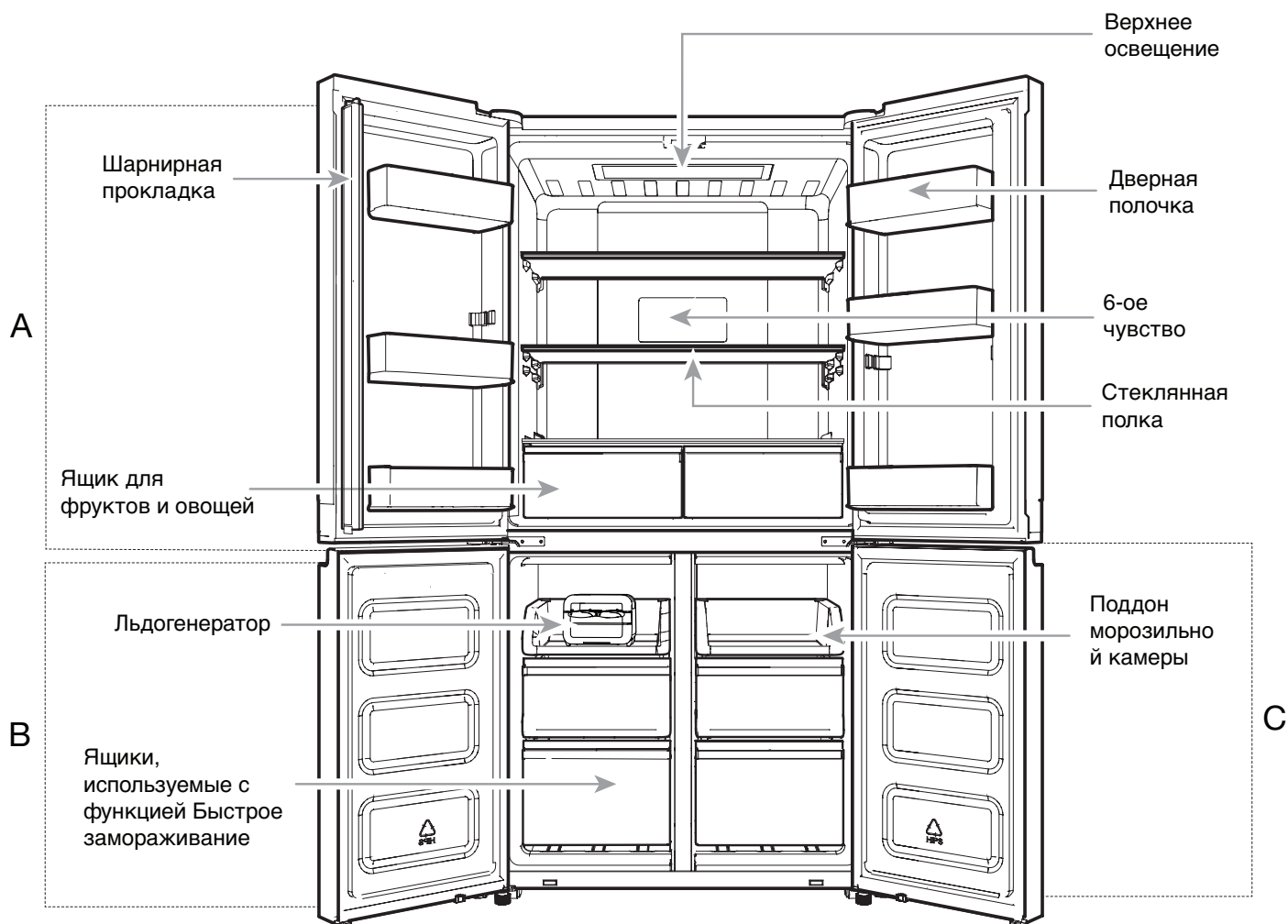
- Снимите дверцы.
- Оставьте полки на месте для того, чтобы дети не могли забраться внутрь.



Важная информация, которую следует знать об утилизации хладагентов:

Утилизируйте хладагенты в соответствии с федеральными и местными нормативами. Удаление хладагента из системы должно производиться лицензированным специалистом по холодильным установкам в соответствии с установленными правилами.

СОСТАВНЫЕ ЧАСТИ И ФУНКЦИИ



- A . Холодильная камера
- B . Морозильная камера
- C . Отделение Flexi Freeze (только с WQ9 B1L, 6WM24NIHAS и WQ70900SXX)

УКАЗАНИЯ ПО УСТАНОВКЕ

Начало работы

СПИСОК ПРОВЕРОК ПОСЛЕ УСТАНОВКИ

✓ Электропитание

⚠ ПРЕДОСТЕРЕЖЕНИЕ



Опасность поражения электрическим током

Вставьте вилку сетевого шнура в заземленную электрическую розетку.

Не снимайте контакт заземления.

Не используйте переходники.

Не используйте удлинители.

Невыполнение этих указаний может привести к смертельной травме, возгоранию или поражению электрическим током.

- Вставьте вилку сетевого шнура холодильника в заземленную электрическую розетку.

✓ Дверцы

- В случае необходимости снятия дверец в ходе установки руководствуйтесь указаниями, приведенными в разделах «Снятие и перевешивание дверец холодильной камеры» и «Снятие и установка передней панели ящика морозильной камеры».
- Дверцы плотно закрываются.
- Холодильник выровнен. Отрегулируйте положение выравнивающих ножек так, чтобы они упирались в пол.
- Верхние края дверец находятся на одном уровне. (При необходимости выровняйте дверцы).

✓ Заключительные проверки

- Удалите все транспортировочные материалы.
- Установите регуляторы температуры на рекомендованные значения.
- Сохраните инструкции и другую документацию.
- Для получения дополнительной технической поддержки зарегистрируйте приобретенное вами изделие на сайте www.whirlpool.eu/register.

Распаковка холодильника

⚠ ПРЕДОСТЕРЕЖЕНИЕ

Опасность подъема слишком большого веса

Перемещение и установку холодильника должны выполнять как минимум два человека.

В противном случае возможны травма спины или другие травмы.

Доставка холодильника

Минимальная ширина дверного проема в вашей квартире должна составлять 838 мм (33 дюйма). Если ширина дверного проема составляет 914 мм (36 дюймов) или менее, потребуется снять с холодильника дверцы, выдвижной ящик и петли.

При любой ширине дверного проема заносите холодильник, держа его с боковых сторон.

При передвижении вашего холодильника:

Ваш холодильник тяжелый. При передвижении холодильника ввиду необходимости его чистки или ремонта не забудьте накрыть пол картоном или ДВП во избежание его повреждения. При передвижении холодильника всегда поддерживайте его в вертикальном положении. Не качайте и не перемещайте холодильник с одного угла на другой во избежание повреждения пола.

Снятие упаковки

- Перед включением холодильника удалите скотч и остатки клея. Пальцами разотрите немного жидкого средства для мытья посуды на поверхности скотча. Затем сполосните теплой водой и вытрите.
- Не используйте для удаления скотча и клея острые инструменты, спирт, воспламеняющиеся жидкости или абразивные чистящие средства. Использование этих средств может привести к повреждению поверхности вашего холодильника.
- Утилизируйте/направьте на вторичную переработку все упаковочные материалы.

Чистка перед началом эксплуатации

После удаления упаковки и перед тем как приступить к эксплуатации холодильника, вымойте его изнутри. См. указания по чистке в разделе «Уход за холодильником».

Важная информация, которую нужно знать о стеклянных полках и крышках:

Не мойте стеклянные полки или крышки горячей водой, пока они холодные. Полки и крышки могут лопнуть в случае резкого изменения температуры или сильного удара. Закаленное стекло изготовлено таким образом, что оно разбивается на множество очень мелких кусков, размером с гальку. Это - нормальное явление. Стеклянные полки и крышки - тяжелые. Когда вы вынимаете их, берите их двумя руками, чтобы не уронить.

Требования к помещению

⚠ ПРЕДОСТЕРЕЖЕНИЕ

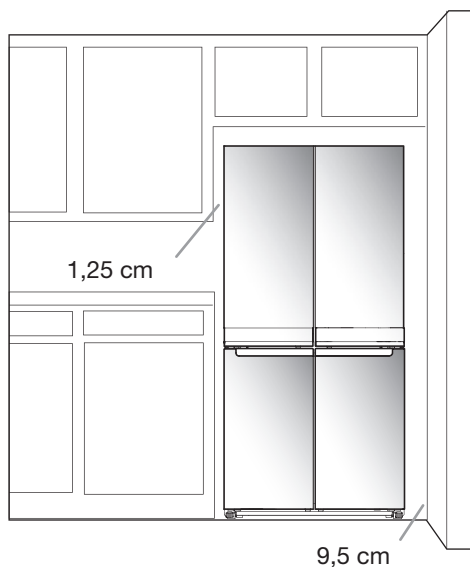


Опасность взрыва

Держите материалы, являющиеся воспламеняемыми и выделяющие пары, например, бензин, на удалении от холодильника. В противном случае возможна смертельная травма, взрыв или возгорание.

Для обеспечения надлежащей вентиляции вашего холодильника оставьте свободное пространство шириной 1,25 см с каждой из его сторон и над ним. Оставьте пространство в 5 см с задней стороны холодильника. Если ваш холодильник оснащен льдогенератором, оставьте дополнительное свободное пространство с его задней стороны для обеспечения подсоединения к водопроводу. При установке холодильника у стены оставьте между ними зазор как минимум в 9,5 см, чтобы дверца могла свободно открываться.

ПРИМЕЧАНИЕ: Данный прибор предназначен для установки в помещении, температура воздуха в котором находится в пределах от минимум 10°C по максимум 43°C. Предпочтительная температура воздуха в помещении для обеспечения оптимальной эффективности работы прибора, при которой снижается потребление электроэнергии и улучшается охлаждение, находится в пределах от 15°C до 32°C. Рекомендуется не устанавливать прибор вблизи от источников тепла, например, духовок или радиаторов отопления.



Требования к электрическому подключению и электробезопасности

⚠ ПРЕДОСТЕРЕЖЕНИЕ



Опасность поражения электрическим током
Вставьте вилку сетевого шнура в заземленную электрическую розетку.

Не снимайте контакт заземления.

Не используйте переходники.

Не используйте удлинители.

Невыполнение этих указаний может привести к смертельной травме, возгоранию или поражению электрическим током.

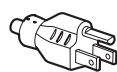
ВАЖНАЯ ИНФОРМАЦИЯ: Электрическое подключение прибора должно выполняться квалифицированным электриком в соответствии с указаниями изготовителя и местными нормативами по безопасности.

- Холодильник предназначен для работы с электропитанием от отдельной электрической сети напряжением 220-240 В, током 10 А и частотой 50/60 Гц.
- Убедитесь, что напряжение, указанное на табличке технических данных прибора, соответствует напряжению в вашем доме.
- Должна быть обеспечена возможность отключения прибора от сети электропитания с помощью вынимания вилки сетевого шнура из розетки или отключения двухполюсного выключателя, расположенного в электрической цепи перед розеткой.
- В случае повреждения сетевого шнура его замена должна осуществляться изготовителем, работником сервисного центра или другим работником с аналогичной квалификацией во избежание риска поражения электрическим током.

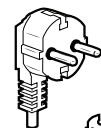
Перед тем как перемещать холодильник в место его окончательной установки, необходимо убедиться в наличии необходимого электропитания:

Рекомендуемый метод заземления:

Прибор можно включать только в электрическую сеть 220-240 В 50 Гц, 220 В 60 Гц или 230/240 В 50 Гц, защищенную предохранителем номиналом 10 и имеющую защитное заземление.



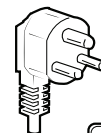
Тип В



Типы Е и F



Тип I



Тип М



Тип G

Для Австралии и Новой Зеландии:

Ваш новый прибор специально разработан для удовлетворения всем требованиям австралийских стандартов и нормативов.

Некоторые пункты в указаниях по монтажу относятся к правилам электрического подключения, действующим в других странах, поэтому мы обращаем ваше внимание на эти специфические положения.

Ваш прибор следует включать только в заземленную розетку с номинальным током 10 А электрической сети напряжением 230/240 В частотой 50 Гц

Требования к электрическому подключению (только для Великобритании и Ирландии)

ВАЖНАЯ ИНФОРМАЦИЯ: Данный холодильник необходимо заземлить.

Замена предохранителя

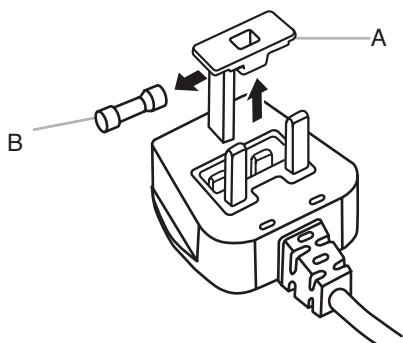
Если сетевой шнур холодильника оснащен вилкой BS1363A с встроенным предохранителем номиналом 13 А, для замены этого предохранителя используйте предохранитель, соответствующий нормативам А.С.Т.А. типа BS 1362, и действуйте следующим образом:

1. Снимите крышку предохранителя (А) и выньте предохранитель (В).
2. Вставьте в крышку запасной предохранитель номиналом 13 А.
3. Вставьте в вилку предохранитель вместе с крышкой.

ВАЖНАЯ ИНФОРМАЦИЯ: При замене предохранителя его крышка должна быть установлена на место. В случае утери крышки вилку не следует использовать до тех пор, пока не будет приобретена и установлена новая крышка.

Правильность установки определяется по цветной вставке или цветному «слову», выдавленному в основании вилки.

Запасную крышку предохранителя можно приобрести в магазине электротоваров.



А. Крышка предохранителя
В. Предохранитель

Для Ирландской республики (только):

Информация, приведенная относительно Великобритании, часто действительна и для Ирландии, однако в этой стране также используется и третий тип вилки/розетки с 2 рабочими контактами и боковым контактом заземления.

Электрическая розетка/Вилка (действительно для обеих стран):

Если вилка, которой оснащен сетевой шнур, не подходит к вашей розетке, обратитесь в сервисный центр за дальнейшими указаниями. Не пытайтесь заменить вилку самостоятельно.

Эта операция должна выполняться квалифицированным электриком в соответствии с указаниями изготовителя и действующими нормативами по безопасности.

Температура

Данный холодильник предназначен для работы в помещениях, температура в которых лежит в следующих диапазонах - в соответствии с климатическим классом, указанным на табличке технических данных. Холодильник может работать ненадлежащим образом, если на долгое время оставить его при температуре, лежащей вне предусмотренного для него рабочего диапазона.

ПРИМЕЧАНИЕ: Рекомендуется не устанавливать холодильник вблизи источников тепла, например, духовок или радиаторов отопления.

Климатический класс	Темп. окр. среды (°C)	Темп. окр. среды (°F)
SN	От 10 до 32	От 50 до 90
N	От 16 до 32	От 61 до 90
ST	От 16 до 38	От 61 до 100
T	От 16 до 43	От 61 до 110

Снятие и перевешивание дверец холодильника

ПРИМЕЧАНИЕ: Измерьте ширину дверного проема в вашей квартире, чтобы понять, нужно ли снимать дверцы холодильника для того, чтобы можно было занести холодильник внутрь. Если необходимо снять дверцы, придерживайтесь приведенных ниже указаний.

ВАЖНАЯ ИНФОРМАЦИЯ: Если холодильник ранее был установлен, а теперь вы увозите его из дома, выключите регуляторы температуры перед тем, как приступить к снятию дверец. Выньте вилку сетевого шнура из розетки или отключите электропитание. Выньте из дверец продукты и регулируемые ящички и емкости.

Перед тем как приступить к снятию дверец, подготовьте все необходимые инструменты и прочитайте соответствующие инструкции.

НЕОБХОДИМЫЕ ИНСТРУМЕНТЫ: 6-мм ключ, 5-мм ключ и крестовая отвертка #2.



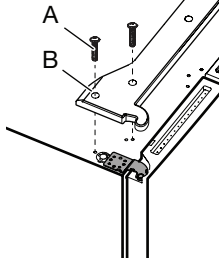
⚠ ПРЕДУПРЕЖДЕНИЕ

Опасность поражения электрическим током

Отключите электропитание перед тем, как приступить к снятию дверец.

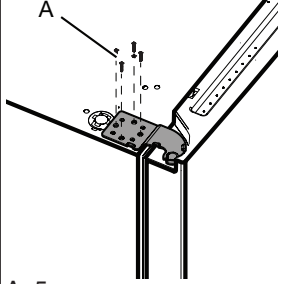
В противном случае возможна смертельная травма или поражение электрическим током.

Крышка верхней левой петли



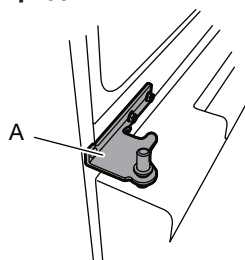
A. Винты крепления крышки верхней петли
B. Крышка верхней петли

Верхняя левая петля



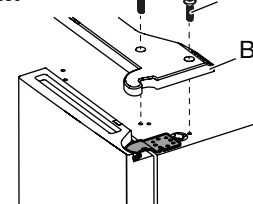
A. 5-мм винты с головкой с внутренним шестигранником

Средняя левая петля



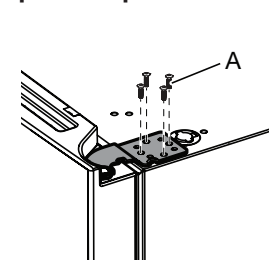
A. Петля

Крышка верхней правой петли



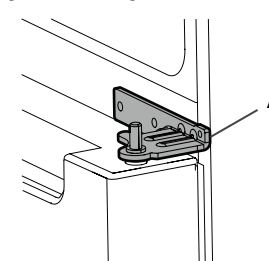
A. Винты крепления крышки верхней петли
B. Крышка верхней петли

Верхняя правая петля



A. 5-мм винты с головкой с внутренним шестигранником

Средняя правая петля



A. Петля

⚠ ПРЕДОСТЕРЕЖЕНИЕ

Опасность подъема слишком большого веса
Подъем холодильника должны выполнять как минимум два человека.
В противном случае возможны травма спины или другие травмы.

Снятие дверец холодильника

⚠ ПРЕДУПРЕЖДЕНИЕ



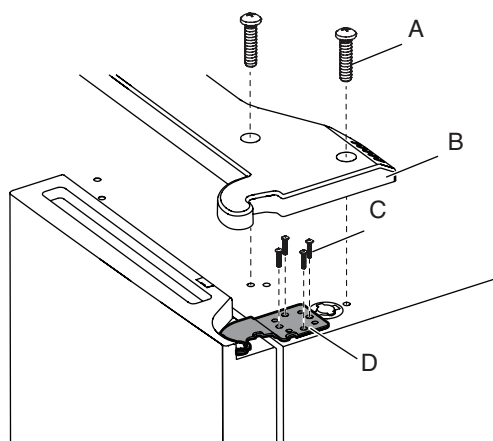
Опасность поражения электрическим током
Отключите электропитание перед тем, как приступить к снятию дверец.
В противном случае возможна смертельная травма или поражение электрическим током.

Снятие правой дверцы

1. Выньте вилку сетевого шнура из розетки или отключите электропитание.
2. Держите дверцы холодильника закрытыми до того, как вы будете готовы снять их с корпуса.

ПРИМЕЧАНИЕ: Дополнительно подоприте дверцу холодильника при снятии петель. Не рассчитывайте на то, что магниты прокладки дверцы будут удерживать дверцу на месте, пока вы работаете.

3. С помощью крестовой отвертки снимите крышку с верхней петли.
4. С помощью ключа на 5 мм открутите четыре винта от верхней петли и отложите их в сторон.



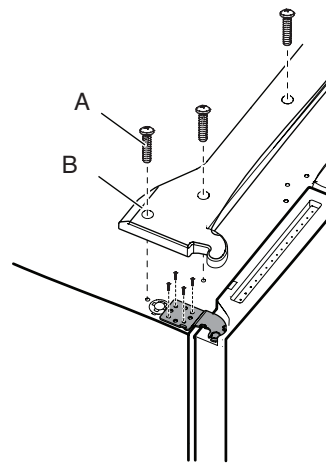
- A. Винт крепления крышки верхней петли
B. Крышка верхней петли
C. 5-мм винты с головкой с внутренним шестигранником
D. Верхняя петля

5. Снимите дверцу холодильника с пальца средней петли. Верхняя петля отсоединится от корпуса вместе с дверцей.

Снятие левой дверцы

ВАЖНАЯ ИНФОРМАЦИЯ: Электропроводка интерфейса пользователя проходит через петлю левой дверцы поэтому ее следует отсоединить перед снятием дверцы.

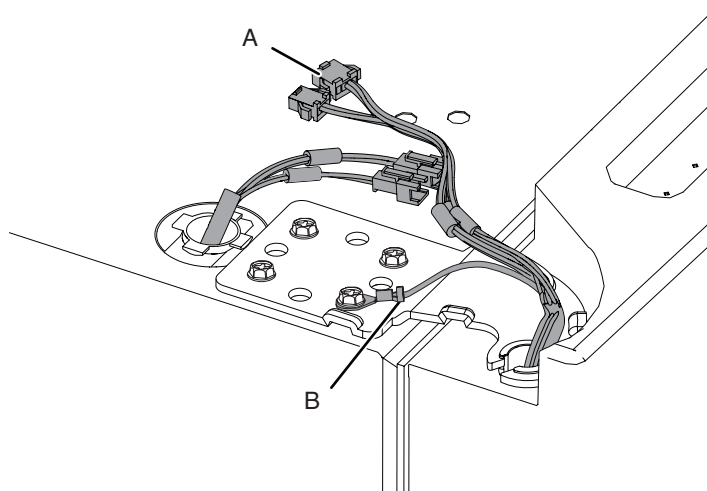
1. С помощью крестовой отвертки снимите крышку с верхней петли.



- A. Винт крепления крышки верхней петли
B. Крышка верхней петли

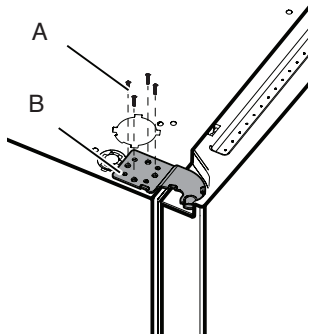
2. Отсоедините два электрических разъема, расположенных над петлей дверцы.

- Возьмитесь за края разъемов. Большим пальцем левой руки нажмите на защелку для ее высвобождения и разъедините составные части разъемов.



- A. Разъем электропроводки
B. Разъем заземления

3. С помощью ключа на 5 мм открутите четыре внутренних винта от верхней петли и отложите их в сторону.



A. 5-мм винты с головкой с внутренним шестигранником
B. Верхняя петля

ПРИМЕЧАНИЕ: Дополнительно подоприте дверцу холодильника при снятии петель. Не рассчитывайте на то, что магниты прокладки дверцы будут удерживать дверцу на месте, пока вы работаете.

4. Снимите дверцу холодильника с пальца нижней петли. Верхняя петля отсоединится от корпуса вместе с дверцей.

ПРИМЕЧАНИЕ: Чтобы холодильник прошел через дверной проем, может потребоваться снятие нижних петель и опорных ножек.

- Только в случае необходимости снимите среднюю петлю, используя 6-мм ключ и крестовую отвертку #2.

Установка правой дверцы холодильной камеры

1. Наденьте правую дверцу на палец средней петли.
2. Вставьте палец верхней петли в отверстие в верхней части дверцы холодильной камеры.
3. С помощью четырех 5-мм винтов с головкой с внутренним шестигранником прикрутите петлю к корпусу. Не затягивайте винты до упора.

Установка левой дверцы холодильной камеры

1. Наденьте левую дверцу на палец средней петли.
2. С помощью четырех 5-мм винтов с головкой с внутренним шестигранником прикрутите петлю к корпусу. Не затягивайте винты до упора.
3. Восстановите электрические соединения.
 - Соедините обе части разъема.
 - Подсоедините проводник заземления к винту петли.

Заключительные шаги

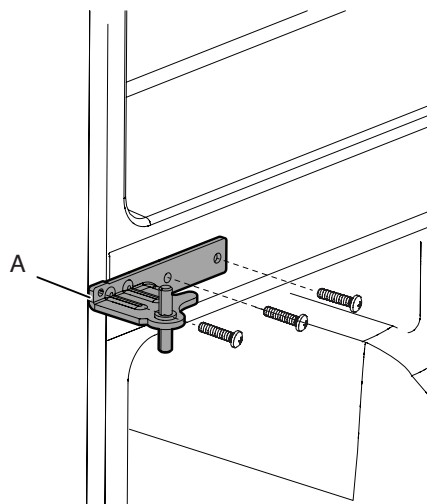
1. Затяните до упора восемь 5-мм винтов с головкой с внутренним шестигранником.
2. Установите на место крышки верхних петель.

Снятие и установка на место дверцы морозильной камеры/отделения Flexi Freeze

1. Держите дверцы морозильной камеры закрытыми до того, как вы будете готовы снять их с корпуса.

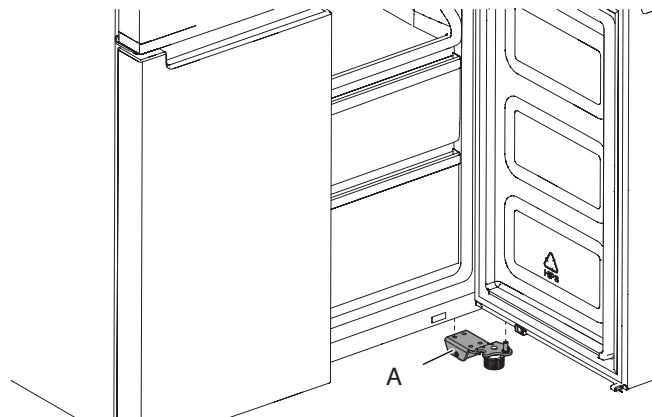
ПРИМЕЧАНИЕ: Дополнительно подоприте дверцу морозильной камеры при снятии петель. Не рассчитывайте на то, что магниты прокладки дверцы будут удерживать дверцу на месте, пока вы работаете.

- С помощью крестовой отвертки #2 и 6-мм ключа открутите среднюю петлю от корпуса.



A. Средняя петля

- Снимите дверцу морозильной камеры с пальца нижней петли.



A. Нижняя петля

⚠ ПРЕДОСТЕРЕЖЕНИЕ



Опасность поражения электрическим током

Вставьте вилку сетевого шнура в заземленную электрическую розетку.

Не снимайте контакт заземления.

Не используйте переходники.

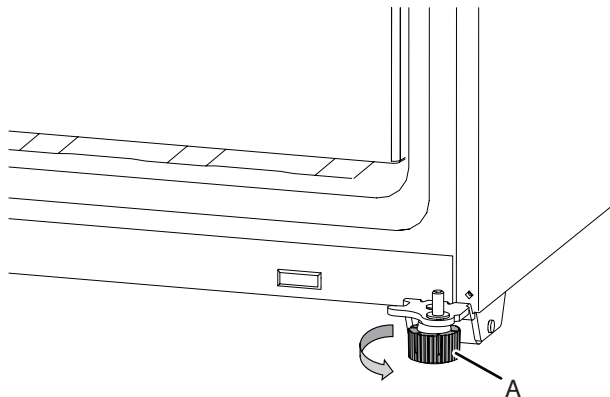
Не используйте удлинители.

Невыполнение этих указаний может привести к смертельной травме, возгоранию или поражению электрическим током.

1. Вставьте вилку сетевого шнура в заземленную электрическую розетку.
2. Верните на место все съемные части и продукты.

Выравнивание холодильника

1. Переместите холодильник в место его окончательной установки.
2. Вручную выставьте опорные ножки. Поворачивайте их против часовой стрелки до тех пор, пока колесики не оторвутся от пола, а обе опорные ножки не упрутся в пол. Это предотвратит выкатывание холодильника вперед при открывании дверец.



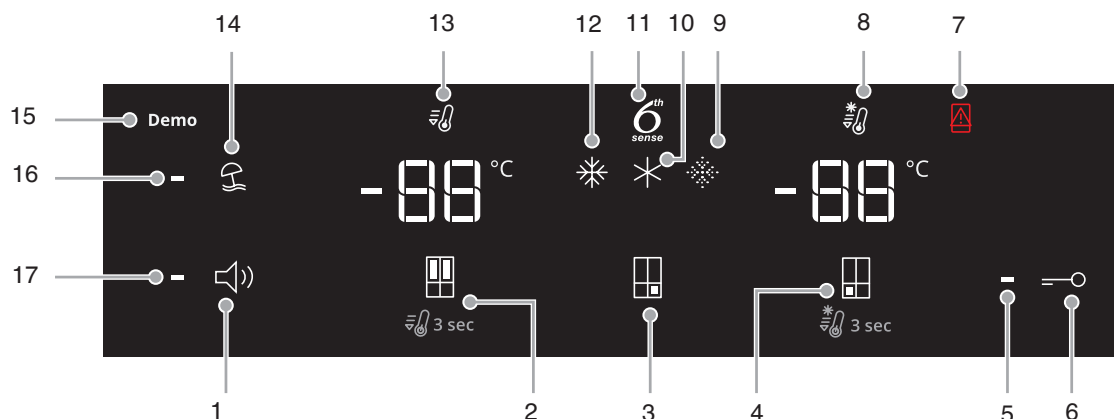
А. Опорные ножки

ВАЖНАЯ ИНФОРМАЦИЯ: Если потребуется выполнить дополнительную регулировку положения опорных ножек, следует поворачивать обе ножки на одинаковый угол, чтобы холодильник оставался выровненным.

3. С помощью строительного уровня убедитесь в том, что холодильник выровнен в поперечном и продольном направлениях.

Использование органов управления

Сенсорные кнопки управления расположены на левой дверце холодильной камеры. Панель управления содержит информацию о различных кнопках и индикаторах. Индикаторы температуры холодильной и морозильной камер показывают последние уставки температуры.



1. Кнопка включения/выключения звука
2. Кнопка регулировки температуры холодильной камеры (удерживайте ее нажатой 3 секунды для включения функции Fast Cool)
3. Кнопка переключения предварительно заданной температуры в отделении Flexi Freeze (только с моделями WQ9 B1L, 6WM24NIHAS и WQ70900SXX)
4. Кнопка регулировки температуры морозильной камеры (удерживайте ее нажатой 3 секунды для включения функции Fast Freeze)
5. Индикатор блокировки клавиш
6. Кнопка блокировки кнопок
7. Индикатор открытой дверцы
8. Индикатор функции Fast Freeze
9. Индикатор мягкого режима морозильной камеры (только с моделями WQ9 B1L, 6WM24NIHAS и WQ70900SXX)
10. Индикатор умеренного режима морозильной камеры (только с моделями WQ9 B1L, 6WM24NIHAS и WQ70900SXX)
11. Индикатор функции «6-е чувство»
12. Индикатор традиционного режима морозильной камеры (только с моделями WQ9 B1L, 6WM24NIHAS и WQ70900SXX)
13. Индикатор функции Fast Cool
14. Кнопка включения/выключения режима «Отпуск»
15. Индикатор демонстрационного режима (только на моделях WQ9 B1L, 6WM24NIHAS и WQ70900SXX)
16. Индикатор режима «Отпуск»
17. Индикатор включения звука

Если не нажимать ни на одну клавишу в течение минуты, панель управления автоматически выключится. Для включения панели управления нажмите любую клавишу.

-88 Просмотр и изменение уставок температуры

Регулировка температуры холодильной и морозильной камер:

Для вашего удобства регуляторы температуры холодильной и морозильной камер уже установлены на заводе-изготовителе на рекомендуемые значения.

При первой установке вашего холодильника проверьте, чтобы регуляторы температуры были установлены на рекомендуемые значения. Рекомендованные заводские уставки: 3°C для холодильной камеры -18°C для морозильной камеры.

При нажатии кнопок регулировки температуры морозильной и холодильной камер будет изменяться соответствующая уставка температуры в градусах Цельсия (°C).

ВАЖНАЯ ИНФОРМАЦИЯ:

- Подождите 24 часа перед тем, как помещать продукты в холодильную камеру. В противном случае продукты могут испортиться.

ПРИМЕЧАНИЕ: Установка регуляторов температуры на более низкие по сравнению с рекомендованными значения не приведет к тому, что камеры быстрее наберут холод.

- Если температура в холодильной или морозильной камере слишком высокая или слишком низкая, перед тем как регулировать заданную температуру, убедитесь в том, что вентиляционные отверстия не перегорожены.
- Рекомендованные значения соответствуют нормальной эксплуатации холодильника в бытовых условиях. Регуляторы температуры выставлены правильно, если молоко или сок охлаждаются так как вам нужно, а мороженое не тает.
ПРИМЕЧАНИЕ: Такие помещения как гаражи, подвалы или лоджии могут отличаться более высокой влажностью или экстремальными температурами окружающей среды. Вам может потребоваться изменение рекомендованных уставок температуры для адаптации к этим условиям.
- Дайте пройти минимум 24 часам между регулировками температуры. Еще раз проверьте заданные значения температуры перед тем, как переходить к другим настройкам.

Датчики функции «6-е чувство» холодильной и морозильной камер


Датчик функции «6-е чувство» холодильной камеры обеспечивает точную и постоянную температуру в холодильной камере, позволяя наиболее естественным образом увеличить срок хранения свежих продуктов. Обнаружив изменение температуры, датчик включает компрессор, который быстро восстанавливает первоначальную температуру.

Датчик функции «6-е чувство» морозильной камеры минимизирует колебания температуры в морозильной камере благодаря инновационной системе управления температурой. При этом снижаются морозные ожоги, что способствует сохранению качества и цвета продуктов.

Установка функции Flexi Freeze (только с моделям WQ9 B1L, 6WM24NIHAS и WQ70900SXX)

Функция Flexi Freeze позволяет переключать значения предварительно заданной температуры в отделении Flexi Freeze.

Символ	Функция	Температура
	Традиционный режим морозильной камеры	-18°C
	Умеренный режим морозильной камеры	-12°C
	Мягкий режим морозильной камеры	-7°C

* Для задания максимально низкой температуры (-20°C) нажмите кнопку выбора предварительно заданной температуры функции Flexi Freeze  и удерживайте ее нажатой в течение 3 секунд. При задании максимально низкой температуры загорятся все три символа.

Изменение уставок температуры



- Традиционный режим морозильной камеры (-18°C): Уже замороженные и свежие продукты (макс. 12 месяцев)
- Умеренный режим морозильной камеры (-12°C): Уже замороженные продукты (макс. 1 месяц)
- Мягкий режим морозильной камеры (-7°C): Уже замороженные продукты (макс. 1 неделя)
- При задании для отделения Flexible Freezer уставки -18°C градусов С или -20°C градусов С температура как в отделении Flexible Freezer, так и в морозильной камере опустится до наиболее низкой из уставок, заданных для морозильной камеры и отделения Flexible Freezer.
- Температура в отделении Flexible Freezer может оказаться не в состоянии достигнуть -7°C градусов С, если температура окружающей среды равна или ниже 10°C градусов С.

При изменении уставок температуры руководствуйтесь следующей таблицей:

СОСТОЯНИЕ	РЕКОМЕНДУЕМОЕ ИЗМЕНЕНИЕ ЗАДАННОЙ ТЕМПЕРАТУРЫ
Слишком низкая температура в холодильной камере	Повысьте уставку температуры в холодильной камере на 1°
Слишком высокая температура в холодильной камере	Понижьте уставку температуры в холодильной камере на 1°
Слишком низкая температура в морозильной камере	Повысьте уставку температуры в морозильной камере на 1°
Слишком высокая температура в морозильной камере/слишком мало льда	Понижьте уставку температуры в морозильной камере на 1°



Fast Cool

Функция Fast Cool («Быстрое охлаждение») полезна в период интенсивного использования холодильной камеры, полной загрузки в нее продуктов или временного повышения температуры в помещении.

- Для включения функции Fast Cool нажмите кнопку регулировки температуры холодильной камеры  и удерживайте ее нажатой в течение 3 секунд. При включении функции Fast Cool загорится соответствующий ей символ. Если не выключать функцию Fast Cool вручную, она останется включенной на протяжении 2 часов.
- Для ручного выключения функции Fast Cool нажмите кнопку регулировки температуры холодильной камеры  и удерживайте ее нажатой в течение 3 секунд. При выключении функции Fast Cool соответствующий ей символ гаснет.
- Изменение заданной температуры холодильной камеры влечет за собой автоматическое выключение функции Fast Cool.

Fast Freeze

Количество свежих продуктов, которое можно заморозить в течение 24 часов, указано на табличке технических данных прибора.

- Нажмите кнопку регулировки температуры морозильной камеры  и удерживайте ее нажатой в течение 3 секунд (до тех пор, пока не загорится индикатор функции Fast Freeze), за 24 часа до закладки свежих продуктов в морозильную камеру. После закладки свежих продуктов в морозильную камеру обычно достаточно, чтобы функция Fast Freeze действовала 24 часа; спустя 50 часов функция Fast Freeze автоматически выключается.
- Для ручного выключения функции Fast Freeze нажмите кнопку регулировки температуры морозильной камеры  и удерживайте ее нажатой в течение 3 секунд. При этом символ функции Fast Freeze погаснет.
- Изменение заданной температуры морозильной камеры влечет за собой автоматическое выключение функции Fast Freeze.

Режим «Отпуск»

Этот режим предназначен для того, чтобы предотвратить напрасное потребление энергии вашим холодильником в тех случаях, когда он не используется на регулярной основе (например тогда, когда вы уезжаете в отпуск).

При выборе этой функции для температуры холодильной камеры (RC) автоматически будет задано значение 12°C.

- Для включения режима «Отпуск» нажмите соответствующую кнопку и держите ее нажатой о тех пор, пока на дисплее не загорится индикатор режима «Отпуск».
- Для выхода из режима «Отпуск» нажмите соответствующую кнопку и держите ее нажатой о тех пор, пока индикатор этого режима на дисплее не погаснет.
- Изменение заданной температуры холодильной камеры влечет за собой автоматическое выключение режима «Отпуск».

ВАЖНАЯ ИНФОРМАЦИЯ: В случае задания этого режима из холодильной камеры необходимо вынуть все продукты и напитки.

Включение/выключение звука

Нажмите эту кнопку для включения /выключения звука.

Блокировка клавиш

- Для включения функции блокировки клавиш нажмите кнопку блокировки и удерживайте ее нажатой в течение 3 секунд.
- Для выключения блокировки снова нажмите кнопку блокировки и удерживайте ее нажатой в течение 3 секунд.

Функция блокировки приводит к игнорированию любых действий с панелью управления до тех пор, пока пользователь ее не отключит. Эта функция предназначена для предотвращения непреднамеренного изменения настроек.

Демонстрационный режим (только на моделях WQ9 B1L, 6WMM24N1HAS и WQ70900SXX)


Этот режим используется, когда холодильник выставлен в магазине, или когда вы хотите выключить охлаждение и все остальные функции (за исключением внутреннего освещения).

Демонстрационный режим может использоваться вами во время вашего продолжительного отпуска. См. в разделе «Отпуск и транспортировка» описание действий, необходимых для того, чтобы оставить ваш холодильник в этом режиме на продолжительное время.

- При включении демонстрационного режима на дисплее загорится символ этого режима.
- Для включения или выключения демонстрационного режима одновременно нажмите на 3 секунды кнопку «Включение/выключение звука» и кнопку блокировки.

Дополнительные функции

Аварийный сигнал открытой дверцы

- Аварийный сигнал открытой дверцы подается в виде звукового сигнала и мигания символа «Открытая дверца»  в тех случаях, когда любая из четырех дверец остается открытой на протяжении 2 или более минут.
- Аварийный сигнал будет повторяться каждые 5 минуты. Для его отключения закройте все дверцы.

ПРИМЕЧАНИЕ: Для отключения звукового сигнала при открытых дверцах, например, при чистке внутренней части холодильника, нажмите любую кнопку на панели управления. Звуковой сигнал временно будет отключен, но символ «Открытая дверца» продолжит гореть на дисплее панели управления.

Внутреннее освещение холодильника

Холодильник оснащен лампочкой внутреннего освещения, которая загорается при каждом открывании его дверцы.

ПРИМЕЧАНИЕ: Эта лампочка - светодиодная и не нуждается в замене. Если при открытии дверцы светодиодная лампочка не загорается, обратитесь в сервисный центр для ее замены.

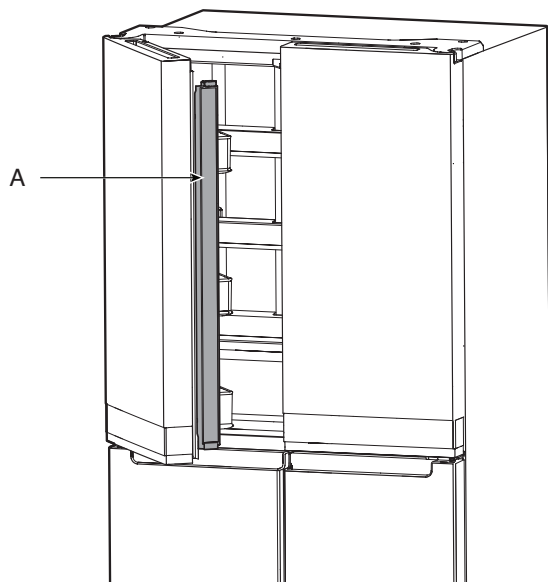
ЭКСПЛУАТАЦИЯ ХОЛОДИЛЬНИКА

Открытие и закрытие дверей

В холодильной камере имеются две двери. Двери можно открывать и закрывать как вместе, так и по отдельности. Левая дверь холодильника оснащена шарнирной прокладкой.

- При открывании левой двери шарнирная прокладка автоматически подгибается вовнутрь.
- Когда обе двери закрыты, прокладка автоматически образует уплотнение между ними

ПРИМЕЧАНИЕ: При закрывании двери шарнирное уплотнение должно находиться в правильном положении (согнуто вовнутрь). В противном случае оно будет задевать правую дверь или стопорной палец.

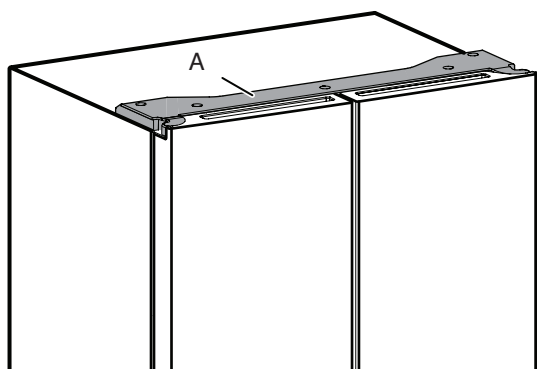


А. Шарнирная прокладка

Дверные выключатели холодильной камеры расположены в крышках левой и правой верхних петель.

- Дверной выключатель морозильной камеры и многотемпературной зоны расположен в нижнем среднике.
- Расположенный в двери микропереключатель детектирует открытое/закрытое положение двери с помощью магнита.
- Убедитесь, что в радиусе 7,62 см от крышки петли нет магнитов или электронных устройств (динамиков, аудиосистем CoolVox® и др.).

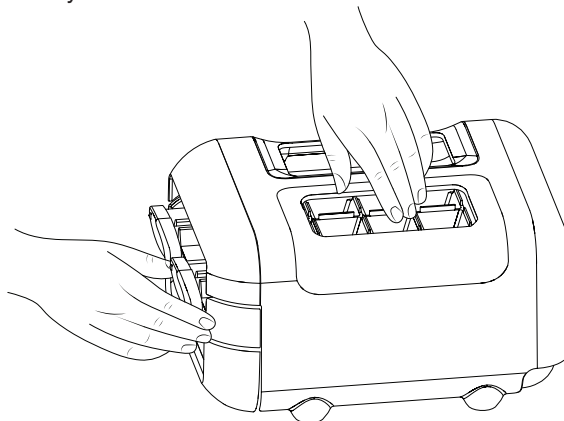
ПРИМЕЧАНИЕ: Если детектирования открытого положения двери не произошло, освещение не загорится.



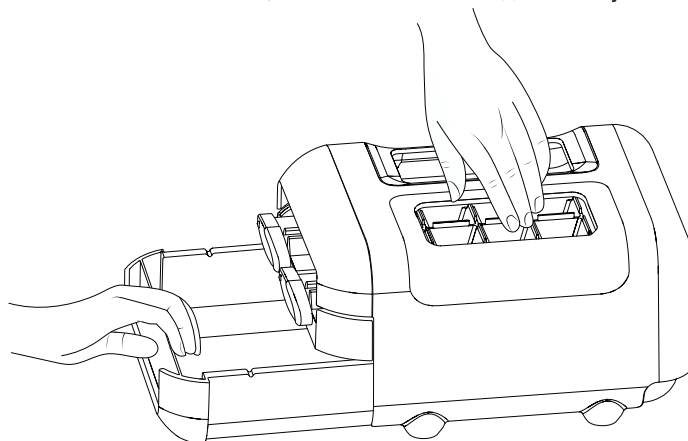
А. Крышка петли

Льдогенератор

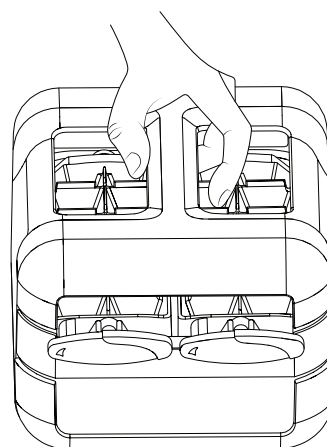
- Для приготовления льда налейте на поддон чистую воду и установите ручной льдогенератор на верхнюю полку морозильной камеры. Дождитесь образования льда, и когда лед будет готов, поверните ручки по часовой стрелке, чтобы выбросить кубики льда в специальную ванночку.



- Слегка приподнимите ванночку для кубиков льда и потяните ее на себя, чтобы можно было достать кубики.



Если лед вам больше нужен, ручной льдогенератор можно вынуть из морозильной камеры, чтобы освободить место для продуктов.



Хранение продуктов

Хранение яиц

Для сохранения свежести яиц рекомендуется хранить их при постоянной температуре, поэтому лучше всего держать на средней полке холодильной камеры.

ПОЛКИ, ДВЕРНЫЕ ЯЩИКИ И ВЫДВИЖНЫЕ ЯЩИКИ

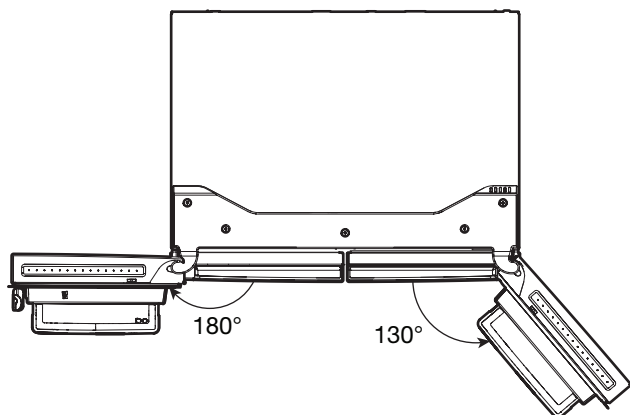
Важная информация, которую нужно знать о стеклянных полках и крышках:

Не мойте стеклянные полки или крышки горячей водой, пока они холодные. Полки и крышки могут лопнуть в случае резкого изменения температуры или сильного удара. Закаленное стекло изготовлено таким образом, что оно разбивается на множество очень мелких кусков, размером с гальку. Это - нормальное явление. Стеклянные полки и крышки - тяжелые. Когда вы вынимаете их, берите их двумя руками, чтобы не уронить.

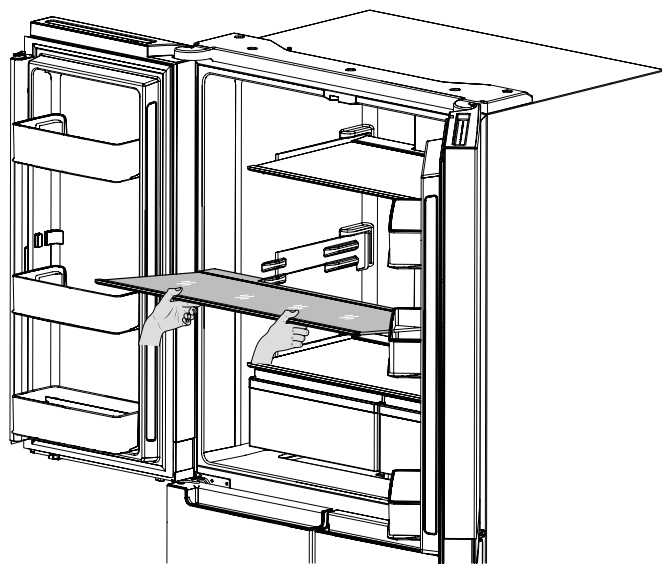
Регулировка высоты полки

Высоту полки можно регулировать путем изменения места ее установки с нижних опор на верхние и наоборот.

- Откройте правую дверцу до упора.
- Откройте левую дверцу до упора и затем поднимите дверцу так, чтобы открыть ее на 180° .



- Выньте полку из холодильной камеры и установите ее в нужное положение.



- Удостоверьтесь в том, что полка плотно встала на держатели.

Полки и их рамы

Положение полок вашего холодильника можно регулировать в зависимости от ваших индивидуальных потребностей в отношении хранения продуктов.

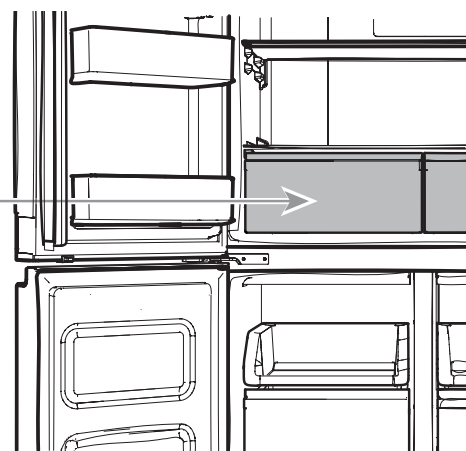
Хранение похожих продуктов в одном месте и регулировка положения полок в соответствии с различной высотой хранящихся продуктов помогут вам легче найти нужные продукты. Это также снизит время, в течение которого дверцы холодильной камеры являются открытыми и позволит сэкономить электроэнергию.

Снятие и установка полок:

1. Откройте правую и левую дверцы до упора и поднимите левую дверцу так, чтобы открыть ее на 180° .
2. Снимите среднюю или верхнюю полку с держателей, приподняв ее. Затем потяните полку на себя и поверните ее вниз в вертикальное положение. Поверните полку на некоторый угол и выньте из холодильника.
3. Снимите нижнюю полку с держателей, приподняв ее. Затем потяните полку на себя и поверните ее вверх в вертикальное положение. Поверните полку на некоторый угол и выньте из холодильника.
4. Установите на место верхнюю и среднюю полки, вставляя их в холодильную камеру под углом, при этом передние края полок должны быть опущены. Поднимите передний край полки и сдвиньте ее внутрь так, чтобы задняя часть полки легла на держатели. Опустите передний край полки и убедитесь, что она встала на свое место.
5. Установите на место нижнюю полку, вставляя ее в холодильную камеру под углом, при этом передний край полки должен быть приподнят. Поднимите передний край полки и сдвиньте ее внутрь так, чтобы задняя часть полки легла на держатели. Опустите передний край полки и убедитесь, что она встала на свое место.

Ящики для фруктов и овощей

Ящик для фруктов и овощей

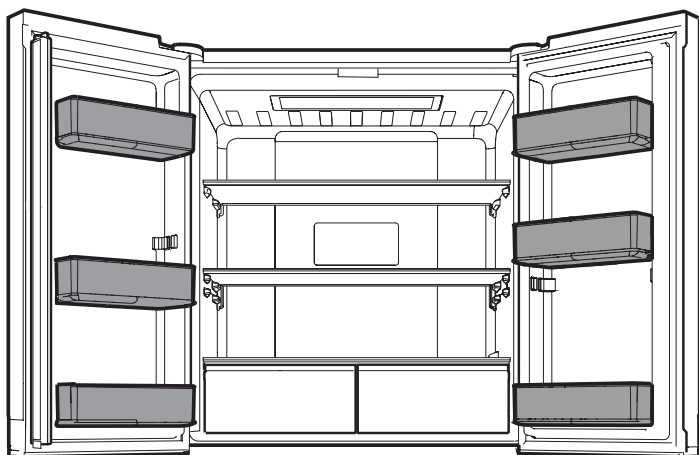


Вынимание и установка на место ящиков для фруктов и овощей:

1. Возьмитесь за ручку ящика для фруктов и овощей и выдвиньте его до упора. Снимите ящик для фруктов и овощей с нижней направляющей.
2. Чтобы установить ящик для фруктов и овощей на место, установите его на нижнюю направляющую и задвиньте внутрь до упора.

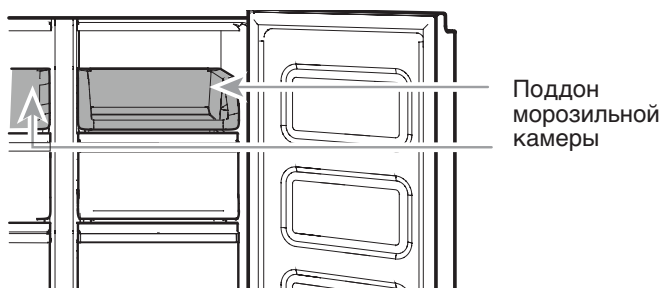
Дверные полочки холодильника

Положение полок, расположенных в дверцах вашего холодильника можно регулировать в зависимости от ваших индивидуальных потребностей в отношении хранения продуктов.



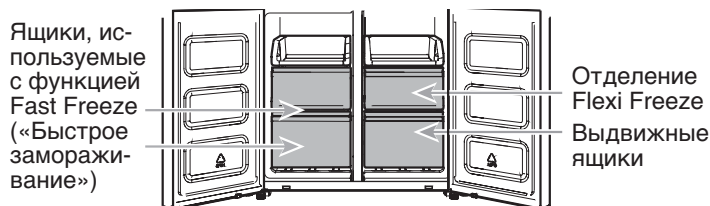
Отделения морозильной камеры

Поддон морозильной камеры



Поддон морозильной камеры используется для обеспечения легкого доступа к часто используемым продуктам, замороженным или просто оставшимся от еды, а также небольшим упаковкам.

Ящики морозильной камеры



Отделение Fast Freeze («Быстрое замораживание»)

- Ящики морозильной камеры позволяют хранить продукты, имеющие большой объем.
- Функция Fast Freeze позволяет хранить все ваши замороженные продукты в безопасности и совершенной «прозрачности».

ПРИМЕЧАНИЕ: Температура морозильной камеры может снизиться до значения температуры в отделении Flexible Freezer, когда заданное значение температуры в ней выше температуры в отделении Flexible Freezer.

Отделение Flexi Freeze (только с моделями WQ9 B1L, 6WM24NIHAS и WQ70900SXX)

Отделение Flexi Freeze позволяет пользователю выбирать один из трех уровней температуры морозильной камеры: -7°C , -12°C -18°C и -20°C для обеспечения наилучших условий хранения для различных типов продуктов.

Для увеличения полезного объема морозильной камеры вы можете вынуть ее выдвижной ящик, открыв непосредственный доступ к полке морозильной камеры.

Внимание верхнего выдвижного ящика:

1. Возьмитесь за ручку ящика и выдвиньте его до упора. Снимите ящик с нижней направляющей.
2. Чтобы установить ящик на место, установите его на нижнюю направляющую и задвиньте внутрь до упора.

Полка морозильной камеры (только на моделях WQ9 E1L и WQ9 B1L)

Для увеличения полезного объема морозильной камеры вы можете вынуть средний ящик, открыв доступ к расположенной под ним полке. Затем вы можете временно убрать верхний ящик в кладовку и размещать продукты непосредственно на полке.

Таблица звуковых сигналов

Распределение тонов

Название тона	Примеры использования
Включение питания	Система охлаждения включается всякий раз, когда на прибор подается электропитание.
Нажатие кнопки	Пользователь правильно нажимает кнопку.
Неверное действие (Ошибка)	Пользователь одновременно нажимает две или несколько кнопок. Прерывание обратного отсчета в случае, когда требуется нажать и удерживать какую-либо кнопку.
Активация	Подтверждение входа в любой режим.
Деактивация	Подтверждение выхода из любого режима.
Аварийный сигнал	Аварийный сигнал открытой дверцы.

В данной таблице приводится лишь ориентировочная информация. Подробности см. в соответствующих разделах. В случае разночтений приоритет принадлежит соответствующему разделу руководства.

Дополнительные принадлежности

Для заказа дополнительных принадлежностей обращайтесь к дилеру, у которого вы приобрели холодильник.

Ремонт или сервисное обслуживание

Перед тем как обращаться за выполнением ремонта или сервисного обслуживания, выполните проверки, описанные в разделе «Поиск и устранение неисправностей». Это может сэкономить вам стоимость вызова специалиста. Если, тем не менее, вам потребуется помощь, следуйте приведенным ниже указаниям.

Если вам требуются запчасти

По вопросам приобретения рекомендованных изготовителем запчастей обращайтесь к дилеру, у которого вы приобрели холодильник.

Гарантия

За информацией о гарантии обратитесь к дилеру, у которого вы приобрели холодильник.

Храните настоящее руководство вместе с чеком магазина для возможного использования в будущем. Для получения гарантийного обслуживания вы должны представить чек, подтверждающий дату покупки или установки прибора.

Запишите следующую информацию о вашем приборе; это поможет вам в необходимом случае получить надлежащее сервисное обслуживание или ремонт. Вам потребуется указать полный номер модели и серийный номер. Номер модели и серийный номер можно найти на табличке технических данных, расположенной на внутренней стенке холодильной камеры.

Название дилерской организации _____

Серийный номер _____

Адрес _____

Телефон _____

Модель _____

Дата покупки _____

УХОД ЗА ХОЛОДИЛЬНИКОМ

Чистка

ПРЕДОСТЕРЕЖЕНИЕ



Опасность взрыва

Используйте негорючие моющие средства.

В противном случае возможна смертельная травма, взрыв или возгорание.

Размораживание всех отделений - холодильной и морозильной камер и отделения Flexi freeze (только на моделях WQ9 B1L, 6WM24NIHAS и WQ70900SXX) выполняется автоматически. Однако примерно раз в месяц чистите все отделения во избежание появления запахов. Немедленно вытирайте пролившися жидкости.

Чистка наружных поверхностей

Найдите описание чистки, соответствующее вашей модели.

Тип 1 — Гладкая дверца

ВАЖНАЯ ИНФОРМАЦИЯ: Повреждения, полученные в результате воздействия на гладкое покрытие, вызванные ненадлежащим использованием моющих средств или применением нерекомендованных моющих средств, не покрываются гарантией. Острые или тупые инструменты могут оставить отметки на покрытии.

ИСПОЛЬЗУЙТЕ	НЕ ИСПОЛЬЗУЙТЕ
✓ Мягкую чистую ткань	<ul style="list-style-type: none"> ✗ Абразивные ткани ✗ Бумажные полотенца или газетную бумагу ✗ Стальные губки
✓ Теплый мыльный раствор с мягким моющим средством	<ul style="list-style-type: none"> ✗ Абразивные порошки или жидкости ✗ Спреи для мытья окон ✗ Аммиак ✗ Чистящие средства на кислотной или уксусной основе ✗ Средства для чистки духовок ✗ Огнеопасные жидкости

ПРИМЕЧАНИЕ: Бумажные полотенца могут оцарапать светлое покрытие окрашенной дверцы и вызвать его помутнение. Во избежание повреждения покрытия используйте для протирания и полировки дверец только чистую мягкую ткань.

Тип 2 — Нержавеющая сталь

ВАЖНАЯ ИНФОРМАЦИЯ:

- Используйте только рекомендованные для нержавеющей стали чистящие средства и ткань. Повреждения, полученные в результате воздействия на покрытие из нержавеющей стали, вызванные ненадлежащим использованием моющих средств или применением нерекомендованных моющих средств, не покрываются гарантией.
- Старайтесь не допускать, чтобы приборы с покрытием из нержавеющей стали подвергались воздействию едких или коррозионных веществ с высоким содержанием соли или влажности. Повреждения, полученные в результате воздействия таких веществ, не покрываются гарантией.

ИСПОЛЬЗУЙТЕ	НЕ ИСПОЛЬЗУЙТЕ
✓ Мягкую чистую ткань	<ul style="list-style-type: none"> ✗ Абразивные ткани ✗ Бумажные полотенца или газетную бумагу ✗ Стальные губки
✓ Теплый мыльный раствор с мягким моющим средством	<ul style="list-style-type: none"> ✗ Абразивные порошки или жидкости ✗ Аммиак ✗ Чистящие средства на основе лимонной кислоты ✗ Чистящие средства на кислотной или уксусной основе ✗ Средства для чистки духовок
✓ Для удаления сильных загрязнений используйте только моющие средства для нержавеющей стали, специально предназначенные для применения с электробытовыми приборами. Для заказа такого моющего средства обращайтесь к дилеру, у которого вы приобрели холодильник.	<ul style="list-style-type: none"> ✗ Моющее средство для нержавеющей стали следует использовать только для чистки поверхностей из нержавеющей стали. Не допускайте попадания моющих и полирующих средств для нержавеющей стали на пластиковые детали, например, накладки, крышки диспенсера или дверные уплотнения.

Тип 3 — Сталь, устойчивая к отпечаткам пальцев

ВАЖНАЯ ИНФОРМАЦИЯ:

- Старайтесь не допускать, чтобы приборы с покрытием из нержавеющей стали подвергались воздействию едких или коррозионных веществ с высоким содержанием соли или влажности. Повреждения, полученные в результате воздействия таких веществ, не покрываются гарантией.

ИСПОЛЬЗУЙТЕ	НЕ ИСПОЛЬЗУЙТЕ
✓ Мягкую чистую ткань	<ul style="list-style-type: none"> ✗ Абразивные ткани ✗ Бумажные полотенца или газетную бумагу ✗ Стальные губки
✓ Теплый мыльный раствор с мягким моющим средством	<ul style="list-style-type: none"> ✗ Абразивные порошки или жидкости ✗ Спреи для мытья окон ✗ Аммиак ✗ Чистящие средства на кислотной или уксусной основе ✗ Средства для чистки духовок ✗ Огнеопасные жидкости

ПРИМЕЧАНИЯ:

- В случае случайного контакта вымойте пластиковые части губкой, смоченной в теплой воде с добавлением мягкого моющего средства. Затем насухо вытрите мягкой тканью.
- Тот факт, что какое-либо моющее средство является жидким, не означает, что оно - неабразивное. Многие жидкие моющие средства, предназначенные для чистки кафельной плитки и гладких поверхностей, вызывают повреждение нержавеющей стали.
- Лимонная кислота вызывает необратимое обесцвечивание нержавеющей стали.
- Во избежание повреждения покрытия из нержавеющей стали вашего холодильника:

Не допускайте, чтобы на поверхностях с таким покрытием оставались следующие вещества:

- ✗ Горчица
- ✗ Соусы на основе цитрусовых
- ✗ Томатный сок
- ✗ Блюда на основе цитрусовых
- ✗ Соус «Маринара»

Чистка внутренних частей холодильника

1. Выньте вилку сетевого шнура из розетки или отключите электропитание.
2. Тщательно вымойте вручную и затем прополощите и вытрите съемные части и внутренние поверхности. Используйте чистую губку или мягкую ткань, смоченную в теплой воде с добавлением мягкого моющего средства.
ПРИМЕЧАНИЕ: Не используйте абразивные или жесткие чистящие средства, такие как спреи для мойки окон, абразивные порошки, воспламеняемые жидкости, чистящий воск, концентрированные моющие средства, отбеливатели или моющие средства, содержащие нефтепродукты, для чистки пластиковых деталей, внутренних и дверных уплотнений и прокладок.
3. Вставьте вилку сетевого шнура в розетку или включите электропитание.

Конденсатора

Данный холодильник имеет поверхностные конденсаторы на обеих боковых сторонах. Ощущение тепла на боковых стенках является нормальным явлением.

Освещение

Как в холодильной, так и в морозильной камерах внутреннее освещение выполняется с помощью лампочек, не нуждающихся в замене. Если при открывании дверцы освещение не загорается, обратитесь к дилеру, у которого вы приобрели холодильник.

Отпуск и транспортировка

Отпуск

Если, уезжая в отпуск, вы решили оставить холодильник включенным:

1. Используйте в пищу скоропортящиеся продукты и заморозьте остальные.
2. Если ваш холодильник оснащен автоматическим льдогенератором, и он подсоединен к водопроводу, отключите подачу воды на льдогенератор. Если не отключить воду, существует опасность материального ущерба в результате затопления.
3. Если ваш холодильник оснащен автоматическим льдогенератором, выключите льдогенератор.
 - Установите переключатель льдогенератора в положение «Выкл» (O).
4. Опорожните ванночку для кубиков льда.

Если, уезжая в отпуск, вы решили выключить холодильник:

ПРИМЕЧАНИЕ: Установка холодильника в демонстрационный режим при отъезде в отпуск. См. раздел «Использование регуляторов температуры».

1. Выньте все продукты из холодильника.
2. Если ваш холодильник оснащен автоматическим льдогенератором:
 - Закройте кран подачи воды на льдогенератор по крайней мере за 1 день до выключения холодильника.
 - После раздачи последней партии льда установите переключатель в положение «Выкл» (O) для выключения дисплея, расположенного внутри холодильника в его верхней части, в зависимости от вашей модели.
3. Опорожните ванночку для кубиков льда.
4. Выключите регуляторы температуры. См. раздел «Использование регуляторов температуры».
5. Вымойте холодильник, сполосните и тщательно вытрите.
6. Прикрепите скотчем куски резины или дерева к верхней части обеих дверей с их внутренней стороны, чтобы оставить их приоткрытыми для того, чтобы внутрь мог попадать воздух. Это предотвратит образование плесени и неприятных запахов.

Транспортировка

При необходимости транспортировки холодильника в ваше новое место жительства выполните следующие подготовительные операции.

1. Если ваш холодильник оснащен автоматическим льдогенератором:
 - Закройте кран подачи воды на льдогенератор по крайней мере за 1 день до выключения холодильника.
 - Отсоедините трубку подачи воды с задней стороны холодильника.
 - После раздачи последней партии льда установите расположенный на льдогенераторе или на панели управления, в зависимости от вашей модели, переключатель в положение «Выкл» (O).
2. Выньте все продукты из холодильника и поместите все замороженные продукты на сухой лед.
3. Опорожните ванночку для кубиков льда.
4. Выньте вилку сетевого шнура из розетки.
5. Вымойте холодильник, сполосните и тщательно вытрите.
6. Выньте все съемные компоненты, тщательно оберните их и оберните их все лентой во избежание смещения или дребезга при транспортировке.
7. В зависимости от модели приподнимите переднюю часть холодильника, чтобы его было легче катить, или приподнимите выравнивающие винты так, чтобы они не задевали о пол. См. разделы «Выравнивание дверец» или «Выравнивание холодильника и дверец».
8. Закройте дверцы и обмотайте их скотчем, а также прикрепите скотчем сетевой шнур к задней панели холодильника.

При въезде в новую квартиру верните все в исходное состояние и затем выполните действия, описанные в разделе «Указания по установке». Кроме того, если ваш холодильник оснащен льдогенератором, помните о необходимости подсоединить его к водопроводу.

ПОИСК И УСТРАНЕНИЕ НЕИСПРАВНОСТЕЙ

Вначале попробуйте устранить неисправность согласно приведенным здесь указаниям, чтобы обойтись без ненужного обращения в сервисный центр.

⚠ ПРЕДОСТЕРЕЖЕНИЕ



Опасность поражения электрическим током
Вставьте вилку сетевого шнура в заземленную электрическую розетку.
Не снимайте контакт заземления.
Не используйте переходники.
Не используйте удлинители.
Невыполнение этих указаний может привести к смертельной травме, возгоранию или поражению электрическим током.

Возможные неисправности	Возможные причины	Способ устранения
Работа холодильника		
Холодильник не работает.	Проверьте наличие электропитания.	Вставьте вилку сетевого шнура в заземленную электрическую розетку.
		Не используйте удлинители.
		Убедитесь в наличии напряжения в розетке. Включите в розетку настольную лампу, чтобы проверить, есть ли в ней напряжение.
		Переустановите сработавший автоматический выключатель на распределительном щите. Замените перегоревшие предохранители, если такие имеются. ПРИМЕЧАНИЕ: Если неисправность остается, обратитесь к электрику.
	Проверьте состояние регуляторов температуры.	Убедитесь, что регуляторы температуры включены. См. раздел «Использование регуляторов температуры».
	Холодильник только что установлен.	Подождите 24 часа после установки, чтобы дать холодильнику возможность набрать холод. ПРИМЕЧАНИЕ: Установка регуляторов температуры на значения, соответствующие максимально низкой температуре, не приведет к более быстрому набору холода ни в одной из камер.
	Холодильник находится в демонстрационном режиме (на некоторых моделях).	Если холодильник находится в демонстрационном режиме, охлаждение выключено, а на дисплее панели управления высвечивается сообщение «Demo». Дополнительную информацию см. в разделе «Использование регуляторов температуры».

ПОИСК И УСТРАНЕНИЕ НЕИСПРАВНОСТЕЙ

Вначале попробуйте устранить неисправность согласно приведенным здесь указаниям, чтобы обойтись без ненужного обращения в сервисный центр.

Возможные неисправности	Возможные причины	Способ устранения
Создается впечатление, что мотор-компрессор работает слишком долго.	Высокоэффективные компрессор и вентиляторы	Холодильники большего размера с более высоким КПД работают на протяжении более продолжительного времени на более низких, энергоэффективных скоростях.
	Слишком высокая температура в помещении или на улице.	В таких условиях более продолжительная работа компрессора является нормальным явлением. Для обеспечения максимальной эффективности работы холодильника устанавливайте его во внутренних помещениях с регулируемой температурой. См. раздел «Требования к помещению».
	В холодильник недавно помещено большое количество еще горячих продуктов.	Помещение горячих продуктов в холодильник приводит к увеличению продолжительности работы компрессора - до тех пор, пока воздух внутри него не остынет до нужной температуры.
	Дверца (дверцы) открываются слишком часто или на слишком долгое время.	Поступление теплого воздуха в холодильник приводит к увеличению продолжительности работы компрессора. Реже открывайте дверцу.
	Дверца холодильной камеры или ящик морозильной камеры открыты.	Убедитесь в том, что холодильник правильно выровнен. См. раздел «Выравнивание холодильника и дверец». Не допускайте, чтобы продукты и упаковки мешали закрываться дверце.
	В холодильной камере задана слишком низкая температура.	Изменяйте уставку температуры в холодильной камере на более высокое значение до тех пор, пока температура в ней не достигнет нужной величины.
	Уплотнение дверцы или ящика загрязнено, изношено или растрескалось.	Прочистите или замените уплотнение. Попадание воздуха через уплотнение дверцы приводят к более продолжительной работе холодильника для обеспечения поддержания заданной температуры.
Внутреннее освещение не работает.	Ваш холодильник оснащен светодиодной лампочкой, которая не нуждается в замене.	Если на холодильник подается электропитание, но при открывании дверцы или ящика освещение не загорается, обратитесь в сервисный центр.
	Дверцы открыты более 10 минут.	Для сброса состояния закройте дверцы и ящик и снова откройте для восстановления освещения.
	Микропереключатель дверцы не детектирует ее открытое положение.	Убедитесь, что в радиусе 7,62 см (3 дюймов) от крышки петли нет магнитов или электронных устройств.
Интерфейс пользователя для управления температурой не включается.	Интерфейс пользователя для управления температурой выключился.	Для включения интерфейса пользователя для управления температурой нажмите на нем любую кнопку.
	Кнопки интерфейса пользователя для управления температурой плохо работают.	Попробуйте выключить и снова включить электропитание холодильника для выполнения сброса. Если неисправность не исчезнет, обратитесь в сервисный центр.
	На интерфейс пользователя для управления температурой не поступает электропитание.	Проверьте электропроводку на петле дверцы.
Невозможно отрегулировать температуру с помощью интерфейса пользователя.	Дверца открыта, и подается аварийный сигнал открытой дверцы.	Закройте дверцу.

ПОИСК И УСТРАНЕНИЕ НЕИСПРАВНОСТЕЙ

Вначале попробуйте устранить неисправность согласно приведенным здесь указаниям, чтобы обойтись без ненужного обращения в сервисный центр.

Возможные неисправности	Возможные причины	Способ устранения
Необычный шум		
Для прослушивания обычных звуков, возникающих при работе холодильника, зайдите в раздел «Помощь/Часто задаваемые вопросы (FAQ)» на сайте бренда и выберите «Обычные звуки». Ниже приводятся обычно встречающиеся типы звуков, и объясняются причины их появления.		
Шум при работе холодильника.	Компрессор вашего нового холодильника регулирует температуру более эффективно, потребляя при этом меньшее количество энергии и работая с малым уровнем шума.	Вследствие этого снижения общего шума вы можете услышать непривычные звуки.
Судя по звуку, компрессор работает дольше, чем вы ожидали.	Высокоэффективный компрессор и вентиляторы.	Холодильники большего размера с более высоким КПД работают на протяжении более продолжительного времени на более низких, энергоэффективных скоростях.
Пульсирующие звуки/ Жужжание	Работа вентиляторов/ компрессоров регулируется для оптимизации их характеристик при нормальной работы компрессора.	Это - нормальное явление.
Потрескивание	Сжатие/расширение внутренних стенок, особенно во время первоначального охлаждения.	Это - нормальное явление.
Шипение/Капание	Протекание хладагента или масла в компрессор.	Это - нормальное явление.
Вибрация	Возможно, холодильник стоит в неустойчивом положении.	Отрегулируйте положение регулировочных винтов и опустите выравнивающие ножки так, чтобы они уперлись в пол. См. раздел «Выравнивание холодильника и дверец».
Шипение	Капание воды на ТЭН во время выполнения цикла размораживания.	Это - нормальное явление.
Звук текущей воды/Журчание	Может быть слышен при таянии льда во время выполнения цикла размораживания и стекания воды в поддон для сбора талой воды.	Это - нормальное явление.

ПОИСК И УСТРАНЕНИЕ НЕИСПРАВНОСТЕЙ

Вначале попробуйте устранить неисправность согласно приведенным здесь указаниям, чтобы обойтись без ненужного обращения в сервисный центр.

Возможные неисправности	Возможные причины	Способ устранения
Температура и влажность		
Температура является слишком высокой.	Холодильник только что установлен.	Подождите 24 часа после установки, чтобы дать холодильнику возможность набрать холод.
	Установка регуляторов температуры не соответствует условиям окружающей среды.	Установите регуляторы на одну отметку больше в сторону более низкой температуры. Проконтролируйте температуру через 24 часа. См. раздел «Использование регуляторов температуры».
	Дверца (дверцы) открываются слишком часто или не закрываются до конца. Это позволяет теплоте воздуха попадать внутрь холодильника.	Открывайте дверцы как можно реже и держите их плотно закрытыми.
	В холодильник недавно помещено большое количество продуктов.	Подождите несколько часов, чтобы в холодильнике снова установилась нормальная температура.
	Включен демонстрационный режим.	Выключите демонстрационный режим. См. раздел «Использование регуляторов температуры».
	Включен режим «Отпуск».	Выключите режим «Отпуск». См. раздел «Использование регуляторов температуры».
Слишком низкая температура в холодильной камере/ящике для фруктов и овощей.	Перегорожены вентиляционное отверстие (отверстия) холодильника.	Если вентиляционное отверстие, расположенное в центре задней стенки холодильника, перегорожено продуктами, размещенными непосредственно перед ним, температура в холодильной камере будет слишком низкой. Уберите продукты от вентиляционного отверстия.
	Установка регуляторов температуры не соответствует условиям окружающей среды.	Установите регуляторы на одну отметку больше в сторону более высокой температуры. Проконтролируйте температуру через 24 часа. См. раздел «Использование регуляторов температуры».
Слишком низкая температура в выдвижном ящике с контролируемой температурой.	Уставка температуры не соответствует типу продуктов, хранящихся в ящике.	Отрегулируйте уставку температуры. См. разделы «Использование регуляторов температуры» и «Эксплуатация холодильной камеры».
Внутри холодильника скапливается влага. ПРИМЕЧАНИЕ: Умеренное образование влаги является нормальным явлением.	Помещение является влажным.	Влажность воздуха в помещении способствует конденсации влаги.
	Дверца (дверцы) открываются слишком часто или не закрываются до конца. Это позволяет влажному воздуху попадать внутрь холодильника.	Открывайте дверцы как можно реже и держите их плотно закрытыми.
	Упаковки с продуктами не дают дверце (дверцам) закрыться.	Отодвиньте упаковки с продуктами от дверцы.
	Дверце мешает закрыться полка или ящичек.	Задвиньте полку или ящичек в правильное положение.
	Хранение жидкостей в открытых емкостях.	Это увеличивает влажность внутри холодильника. Держите все емкости плотно закрытыми.
Образование большого количества льда/инея в морозильной камере.	Дверца открывается слишком часто или оставлена открытой.	Открывайте дверцу как можно реже и полностью задвигайте выдвижной ящик после использования.
	Неудовлетворительное состояние дверного уплотнения.	Убедитесь, что дверные уплотнения плотно прилегают к корпусу холодильника, обеспечивая надлежащую герметичность.
	Неверно установлены регуляторы температуры.	Рекомендуемые значения температуры см. в разделе «Использование регуляторов температуры».

ПОИСК И УСТРАНЕНИЕ НЕИСПРАВНОСТЕЙ

Вначале попробуйте устранить неисправность согласно приведенным здесь указаниям, чтобы обойтись без ненужного обращения в сервисный центр.



Для просмотра анимационного фильма, показывающего как выровнять дверцы, зайдите в раздел «Помощь/Часто задаваемые вопросы (FAQ)» на сайте бренда и выберите «Закрывание и выравнивание дверец».

Возможные неисправности	Возможные причины	Способ устранения
Дверцы		
Дверцы не закрываются до конца.	Упаковки с продуктами не дают дверце закрыться.	Отодвиньте упаковки с продуктами от дверцы.
	Дверце мешает закрыться полка или ящичек.	Задвиньте полку или ящичек в правильное положение.
	Холодильник только что установлен	Удалите все упаковочные материалы.
Дверцы плохо открываются.	Уплотнения дверец грязные или липкие.	Промойте уплотнения и контактные поверхности теплой водой с добавлением мягкого мыла. Затем сполосните и насухо вытрите мягкой тканью.
Дверцы не находятся на одном уровне.	Необходимо выровнять дверцы или сам холодильник.	При необходимости выравнивания дверцы обратитесь в сервисный центр.
Холодильник стоит неустойчиво или выкатывается вперед при открывании и закрывании дверец.	Опорные ножки холодильника не упираются в пол.	Поверните обе опорные ножки (одну на каждой стороне) против часовой стрелки на один и тот же угол так, чтобы они плотно уперлись в пол. См. раздел «Выравнивание холодильника и дверец».

Таблица

Изделие	ХОЛОДИЛЬНИК-МОРОЗИЛЬНИК	
Торговая марка		
Модель	WQ9 B1L	
Производитель	ВИРЛПУЛ ЕМЕА С.П.А. (WHIRLPOOL EMEA S.P.A.)	
Страна происхождения	КИТАЙ	
Импортер	ООО "ВИРЛПУЛ РУС"	
Адрес	127018, РОССИЯ, МОСКВА, УЛ. ДВИНЦЕВ, ДОМ 12, КОРПУС 1	
Полезный объем для хранения замороженных продуктов (ХК/МК)	384 л	207 л
Номинальное значение напряжения или диапазон напряжений	220-240 В	
Символ типа электрического тока или номинальная частота переменного тока	50-60 Гц	
Номинальный ток	1.5 А	
Мощность размораживающего нагревателя	255 Вт	
Максимальная мощность лампы	5.3 Вт	
Класс прибора	Класс I	
Класс энергопотребления	A+	
Система охлаждения	No-Frost	
Климатический класс	SN/N/ST/T	
Тип хладагента	R600a	
Уровень шума	37.5 дБ	
Число компрессоров	1	
Если вам нужна дополнительная информация о сертификатах соответствия для данного прибора или их копии, направьте электронное письмо по адресу: cert_rus_external@whirlpool.com		
Дату выпуска прибора можно определить по серийному номеру (S / N XXXXXXXX * XXXXXXXXXXXX) следующим образом:	7-ая цифра S / N соответствует последней цифре года, 8-ая и 9-ая цифры S / N — месяцу, 10-ая и 11-ая цифры S / N — порядковому числу месяца.	

ПРИМЕЧАНИЕ

ИЗГОТОВИТЕЛЬ ПОСТОЯННО ВЕДЕТ РАБОТЫ ПО УЛУЧШЕНИЮ ИЗ ДЕЛИЯ И ОСТАВЛЯЕТ ЗА СОБОЙ ПРАВО ВНОСИТЬ ИЗМЕНЕНИЯ БЕЗ ПРЕДВАРИТЕЛЬНОГО УВЕДОМЛЕНИЯ.

СРОК СЛУЖБЫ ТОВАРА 10 ЛЕТ.

ДАТА ПРОИЗВОДСТВА УКАЗАНА НА ЭТИКЕТКАХ В ФОРМАТЕ:

НЕДЕЛЯ ГОДА (2 ЦИФРЫ) / ГОД (2 ИЛИ 4 ЦИФРЫ)

ИНФОРМАЦИЯ ДЛЯ РФ: НАСТОЯЩИЙ ТОВАР В ЗАВИСИМОСТИ ОТ КОНКРЕТНОЙ МОДЕЛИ ИМЕЕТ КЛАСС ЭНЕРГЕТИЧЕСКОЙ ЭФФЕКТИВНОСТИ, УКАЗАННЫЙ В СООТВЕТСТВИИ С ТРЕБОВАНИЯМИ ФЕДЕРАЛЬНОГО ЗАКОНА № 261-ФЗ ОТ 23.11.09 И ПОСТАНОВЛЕНИЕМ ПРАВИТЕЛЬСТВА РФ № 1222 ОТ 31.12.09Г. (С ПОПРАВКАМИ). КОНКРЕТНУЮ ИНФОРМАЦИЮ О КЛАССЕ ЭНЕРГЕТИЧЕСКОЙ ЭФФЕКТИВНОСТИ ВАШЕЙ МОДЕЛИ МОЖНО НАЙТИ РЯДОМ С УКАЗАНИЕМ МОДЕЛИ ВО ВКЛАДЫШЕ К ДА ИНОЙ ИНСТРУКЦИИ ПО ЭКСПЛУАТАЦИИ, СОДЕРЖАЩЕМ ИНФОРМАЦИЮ О КОМПЛЕКТАЦИИ.

WHIRLPOOL EMEA S.P.A.
VIA CARLO PISACANE N.1,
ВИРЛПУЛ ЕМЕА С.П.А.
ВИА КАРЛО ПИЗАКАНЕ 1
20016 ПЕРО (МИЛАН) ИТАЛИЯ

ДЛЯ РОССИИ И СТРАН ТАМОЖЕННОГО СОЮЗА:

ИМПОРТЕР только для российского рынка

УПОЛНОМОЧЕННЫЙ ПРЕДСТАВИТЕЛЬ

для других стран:

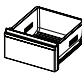
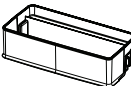

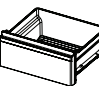
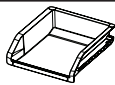
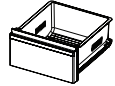



ООО «ВИРЛПУЛ РУС»

С вопросами (в России) обращаться по адресу Россия, 127018, Москва,

ул. Двинцев, дом 12, корп. 1

Вы можете найти контактную информацию в гарантийном документе.

Холодильник морозильник

Составные части / Модель	WQ9 B1L
	5 ШТ
	1 ШТ
	3 ШТ
	2 ШТ
	2 ШТ
	2 ШТ
	2 ШТ
	2 ШТ
	1 ШТ
Класс энергетической эффективности для РФ	A+

СДЕЛАНО В КИТАЕ

Изделие	Холодильник морозильник
Номинальное значение напряжения электропитания или диапазон напряжения	220-240 V
Условное обозначение рода электрического тока или номинальная частота переменного тока	50 Hz
Класс защиты от поражения электрическим током	Класс защиты I

ТРАНСПОРТИРОВКА И ХРАНЕНИЕ

Изделия должны перевозиться в оригинальной упаковке в горизонтальном положении.

Во время транспортировки и хранения защищать изделия от атмосферного воздействия и механических повреждений. Изделия должны храниться в упакованном виде в отапливаемых помещениях при температуре от плюс 5°C до плюс 40°C.

Spis treści

BEZPIECZEŃSTWO CHŁODZIARKI	105
Prawidłowe usuwanie starej chłodziarki	108
ELEMENTY I FUNKCJE	109
INSTRUKCJA INSTALACJI	110
Pierwsze kroki	110
Rozpakowywanie chłodziarki.....	110
Wymagania dotyczące lokalizacji	111
Wymagania dotyczące zasilania elektrycznego	111
Zdejmowanie i zakładanie drzwi chłodziarki	113
Zdejmowanie i zakładanie drzwi zamrażarki/elastycznego mrożenia	115
Poziomowanie chłodziarki	116
Używanie elementów sterujących	117
Oświetlenie chłodziarki	118
UŻYTKOWANIE CHŁODZIARKI	119
Otwieranie i zamykanie drzwi	119
Przechowywanie żywności	119
PÓŁKI, POJEMNIKI I SZUFLADY	120
Komory zamrażarki	121
Sygnały akustyczne	121
Akcesoria	121
Pomoc techniczna i serwis	121
PIELĘGNACJA CHŁODZIARKI	122
Czyszczenie	122
Oświetlenie.....	123
Urlopy i przeprowadzki	123
ROZWIĄZYWANIE PROBLEMÓW	124

BEZPIECZEŃSTWO CHŁODZIARKI

Bezpieczeństwo wszystkich osób jest bardzo ważne.

W niniejszym podręczniku oraz na urządzeniu podano wiele ważnych informacji dotyczących bezpieczeństwa. Wszystkie informacje dotyczące bezpieczeństwa należy przeczytać i zawsze ich przestrzegać.



Jest to symbol ostrzeżenia dotyczącego bezpieczeństwa.

Ten symbol ostrzega o ewentualnym niebezpieczeństwie utraty życia lub zdrowia osób.

Przed wszystkimi informacjami dotyczącymi bezpieczeństwa umieszczono symbol ostrzegawczy oraz słowo „NIEBEZPIECZEŃSTWO” lub „OSTRZEŻENIE.”

Znaczenie tych słów:

 **NIEBEZPIECZEŃSTWO**

Nieprzestrzeganie ściśle instrukcji może doprowadzić do obrażeń ciała lub śmierci.

 **OSTRZEŻENIE**

Nieprzestrzeganie instrukcji może doprowadzić do obrażeń ciała lub śmierci.

Wszystkie informacje dotyczące bezpieczeństwa określają ewentualne zagrożenie i podają sposób zmniejszenia ryzyka wystąpienia obrażeń ciała, a także opisują skutki nieprzestrzegania instrukcji.

INSTRUKCJĘ DOTYCZĄCĄ BEZPIECZEŃSTWA

Przed przystąpieniem do użytkowania urządzenia należy przeczytać podane tu instrukcje dotyczące bezpieczeństwa. Należy je przechowywać w łatwo dostępnym miejscu celem skorzystania w przyszłości. W instrukcjach tych, a także na urządzeniu, podano ważne ostrzeżenia dotyczące bezpieczeństwa, których należy zawsze przestrzegać. Producent nie ponosi żadnej odpowiedzialności w związku z nieprzebraniem podanych instrukcji dotyczących bezpieczeństwa, z nieprawidłowym użytkowaniem urządzenia oraz z niewłaściwymi ustawieniami elementów sterujących.

⚠ Bardzo małe dzieci (w wieku od 0 do 3 lat) nie powinny zbliżać się do urządzenia. Małe dzieci (w wieku od 3 do 8 lat) nie powinny zbliżać się do urządzenia bez stałej opieki dorosłych. Dzieci w wieku powyżej 8 oraz osoby o ograniczonych zdolnościach fizycznych, sensorycznych czy umysłowych, a także osoby nie posiadające wiedzy lub doświadczenia mogą używać omawianego urządzenia tylko, jeżeli będą nadzorowane lub zostaną poinstruowane odnośnie bezpiecznego korzystania z tego urządzenia oraz rozumieją zagrożenia z nim związane. Zabrania się dzieciom zabawy z urządzeniem. Czyszczenie i czynności konserwacyjne nie mogą być wykonywane przez dzieci bez nadzoru.

DOZWOLONE UŻYCIĘ

⚠ PRZESTROGA: Urządzenie nie jest przeznaczone do pracy z zewnętrznymi urządzeniami wyłączającymi, takimi jak zegary lub oddzielne systemy zdalnego sterowania.

⚠ Omawiane urządzenie jest przeznaczone do użytku domowego oraz w podobnych zastosowaniach, takich jak: pomieszczenia socjalne w sklepach, biurach i innych miejscach pracy; budynki gospodarskie; przez klientów w hotelach, motelach, miejscach oferujących noclegi i wyżywienie i innych miejscach zamieszkania.

⚠ Niniejsze urządzenie nie jest przeznaczone do użytku komercyjnego. Zabrania się używania urządzenia na wolnym powietrzu.

⚠ Urządzenie zostało zaprojektowane do użytkowania w miejscach, gdzie temperatura otoczenia zawiera się w podanych niżej przedziałach, zależnych od klasy klimatycznej podanej na tabliczce znamionowej. Urządzenie może nie działać prawidłowo, jeżeli będzie zbyt długo narażone na temperatury poza podanymi przedziałami.

Temp. otoczenia klasy klimatycznej (°C)
SN: Od 10 do 32 °C; N: Od 16 do 32 °C
ST: Od 16 do 38 °C; T: Od 16 do 43 °C

WAŻNE ZAGADNIENIA DO PRZECZYTANIA I PRZESTRZEGANIA

⚠ Omawiane urządzenie nie zawiera CFC. Obwód chłodniczy zawiera R600a (HC). Urządzenia zawierające izobutan (R600a): izobutan jest gazem naturalnym, nieszkodliwym dla środowiska, ale jest palny. Z tego względu należy upewnić się, czy przewody układu chłodniczego nie zostały uszkodzone, zwłaszcza podczas jego opróżniania.

⚠ OSTRZEŻENIE: Nie dopuszczać do uszkodzenia przewodów obwodu chłodniczego.

⚠ OSTRZEŻENIE: Zabrania się zasłaniania otworów wentylacyjnych w obudowie urządzenia oraz w konstrukcjach zabudowy.

⚠ OSTRZEŻENIE: Zabrania się używania środków mechanicznych, elektrycznych oraz chemicznych w celu przyspieszenia procesu rozmrażania, innych niż zalecane przez producenta.

⚠ OSTRZEŻENIE: Zabrania się używania i umieszczania urządzeń elektrycznych wewnątrz komór omawianego urządzenia, za wyjątkiem typów konkretnie dopuszczonych przez producenta.

⚠ OSTRZEŻENIE: Kostkarki do lodu i/lub dozowniki wody nie podłączone bezpośrednio do wodociągu muszą być napełniane wyłącznie wodą pitną.

⚠ OSTRZEŻENIE: Automatyczne kostkarki do lodu i/lub dozowniki wody muszą być podłączone do wodociągu dostarczającego wyłącznie wody pitnej o ciśnieniu w sieci w przedziale od 0,17 do 0,81 MPa (od 1,7 do 8,1 bara).

⚠ Zabrania się przechowywania wewnątrz omawianego urządzenia substancji wybuchowych, takich jak pojemniki aerozolowe z palnymi gazami nośnymi.

⚠ Zabrania się połykania zawartości pakietów lodowych dostarczonych z niektórymi modelami (mimo, że są one nietoksyczne). Zabrania się spożywania kostek lodu oraz lizaków lodowych natychmiast po wyjęciu z zamrażarki, gdyż może to spowodować odmrożenia.

⚠ W przypadku chłodziarek wyposażonych fabrycznie w filtr wewnątrz dostępnej pokrywy wentylatora, filtr musi zawsze znajdować się na miejscu podczas pracy chłodziarki.

⚠ Zabrania się przechowywania szklanych pojemników z płynami wewnątrz komory zamrażarki, ponieważ mogą one pęknąć. Nie zasłaniać wentylatora (jeżeli występuje) produktami spożywczymi. Po włożeniu żywności należy sprawdzić, czy drzwi komór zamykają się całkowicie, a zwłaszcza drzwi zamrażarki.

⚠ Uszkodzone uszczelki należy jak najszybciej wymienić.

⚠ Komory chłodziarki należy używać tylko do przechowywania świeżej żywności, a komory chłodziarki tylko do przechowywania żywności mrożonej, do zamrażania świeżej żywności oraz do robienia kostek lodu.

⚠ Należy unikać przechowywania niezapakowanej żywności, która może stykać się bezpośrednio z powierzchniami wewnętrznymi komór chłodziarki lub zamrażarki. Urządzenia mogą posiadać również specjalne komory (na świeżą żywność, utrzymujące temp. zera stopni itp.). Można je wyjąć bez szkody dla wydajności urządzenia, chyba że określono inaczej w specjalnej broszurze produktu.

INSTALACJA

⚠ Do przenoszenia i zainstalowania urządzenia potrzebne są co najmniej dwie osoby - ryzyko urazów. Podczas rozpakowywania i instalacji należy używać rękawic ochronnych - ryzyko skaleczenia.

⚠ Instalacja, podłączenie do wodociągu (jeżeli występuje), podłączenia elektryczne, a także naprawy muszą być wykonywane przez wykwalifikowanego technika. Zabrania się naprawiania oraz wymieniać jakichkolwiek elementów urządzenia, chyba takie instrukcje zawiera podręcznik użytkownika. Nie zezwalać dzieciom na zbliżanie się do miejsca instalacji.

Po rozpakowaniu urządzenia należy upewnić się, czy nie uległo ono uszkodzeniu w czasie transportu. W przypadku problemów, należy skontaktować się z dostawcą lub najbliższym punktem obsługi posprzedażnej. Po zakończeniu instalacji, materiały odpadowe z opakowania (folie, elementy styropianowe itp.) muszą być przechowywane w miejscu niedostępnym dla dzieci - ryzyko uduszenia. Przed przystąpieniem do jakichkolwiek czynności instalacyjnych konieczne jest odłączenie urządzenia od zasilania - ryzyko porażenia prądem elektrycznym. Podczas instalacji należy upewnić się, czy urządzenie nie uszkodziło kabla zasilającego - ryzyko pożaru lub porażenia prądem elektrycznym. Urządzenie można włączyć dopiero po zakończeniu instalacji.

⚠ Podczas przemieszczania urządzenia należy uważać, aby nie uszkodzić podłóg (np. parkietu). Urządzenie należy instalować na podłodze lub podstawie o wytrzymałości dostosowanej do jego wagi, w miejscu odpowiednim dla jego wymiarów i sposobu użytkowania. Należy upewnić się, że urządzenie nie zostało ustawione w pobliżu źródeł ciepła oraz że cztery nóżki stabilnie spoczywają na podłodze, regulując je zależnie od potrzeb, a także sprawdzić przy użyciu poziomnicy, czy urządzenie jest wypoziomowane. Aby zapewnić pełną sprawność obwodu chłodniczego, należy odczekać co najmniej dwie godziny przed włączeniem urządzenia.

⚠ Aby zapewnić właściwą wentylację, należy pozostawić wolną przestrzeń po obu stronach oraz nad urządzeniem. Odległość pomiędzy tylną częścią urządzenia, a znajdującą się za nim ścianą powinna wynosić 50 mm, aby nie dopuścić do nadmiernego nagrzewania powierzchni. Zmniejszenie tej przestrzeni powoduje wzrost zużycia energii przez wyrób.

⚠ **OSTRZEŻENIE:** Aby uniknąć zagrożeń związanych z niestabilnością, ustawienie oraz unieruchomienie urządzenia musi zostać przeprowadzone zgodnie z instrukcjami producenta. Zabrania się ustawiania chłodziarki w sposób umożliwiający stykanie się metalowych węży kuchenki gazowej, metalowych rur gazowych lub wodnych, a także przewodów elektrycznych ze ścianą tylną chłodziarki (spirala skraplacza).

⚠ Jeżeli zachodzi potrzeba wymiany drzwi, należy skontaktować się z ośrodkiem wsparcia technicznego.

OSTRZEŻENIA DOTYCZĄCE PRĄDU ELEKTRYCZNEGO

⚠ Musi istnieć możliwość odłączenia urządzenia od zasilania elektrycznego poprzez wyjęcie jego wtyczki z gniazda, jeśli wtyczka jest dostępna, bądź przy użyciu wyłącznika dwubiegunowego zainstalowanego w obwodzie przed gniazdem, zgodnie z przepisami dotyczącymi prowadzenia przewodów. Ponadto, urządzenie musi być uziemione zgodnie z krajowymi normami dotyczącymi bezpieczeństwa elektrycznego.

⚠ Zabrania się używania przedłużaczy, rozgałęźników oraz adapterów. Podzespoły elektryczne nie mogą być dostępne dla użytkownika po zainstalowaniu. Nie należy obsługiwać urządzenia boso lub gdy ciało jest mokre. Zabrania się użytkowania urządzenia jeśli kabel zasilający lub wtyczka są uszkodzone, jeśli nie działa ono prawidłowo lub, gdy zostało uszkodzone, bądź upadło.

⚠ Jeśli kabel zasilający jest uszkodzony, konieczna jest jego wymiana na identyczny przez producenta, jego autoryzowany serwis lub inną wykwalifikowaną osobę, dla uniknięcia niebezpieczeństwa - ryzyko porażenia prądem elektrycznym.

⚠ **OSTRZEŻENIE:** Podczas ustawiania urządzenia na miejscu należy upewnić się, że kabel zasilający nie został przygnieciony ani uszkodzony.

⚠ **OSTRZEŻENIE:** Zabrania się umieszczania rozgałęźników przenośnych oraz zasilaczy przenośnych z tyłu urządzenia.

CZYSZCZENIE I KONSERWACJA

⚠ **OSTRZEŻENIE:** Przed przystąpieniem do czynności konserwacyjnych należy upewnić się, że urządzenie jest wyłączone i odłączone od zasilania. Zabrania się używania parowych urządzeń czyszczących - ryzyko porażenia prądem elektrycznym.

⚠ Zabrania się używania ściernych i agresywnych preparatów czyszczących, jak np. aerozole do mycia okien, czyścików do szorowania, palnych płynów, wosków do czyszczenia, stężonych detergentów, wybielaczy oraz preparatów czyszczących zawierających produkty ropopochodne do czyszczenia elementów plastikowych, wnętrza oraz okładzin drzwi i uszczelek. Nie używać ręczników papierowych, zmywaków do szorowania i innych chropowatych narzędzi do czyszczenia.


USUWANIE MATERIAŁÓW Z OPAKOWAŃ

Materiały opakowania nadają się w 100% do recyklingu i zostały oznaczone symbolem recyklingu ♻️.

Z tego względu, różne elementy opakowania muszą być usuwane w sposób odpowiedzialny, z zapewnieniem pełnej zgodności z lokalnie obowiązującymi przepisami usuwania odpadów.

USUWANIE URZĄDZEŃ GOSPODARSTWA DOMOWEGO

Urządzenie zostało wyprodukowane z użyciem materiałów nadających się do recyklingu i odzysku. Należy je usuwać zgodnie z lokalnymi przepisami dotyczącymi usuwania odpadów. Aby uzyskać więcej informacji na temat utylizacji, odzyskiwania oraz recyklingu elektrycznych urządzeń gospodarstwa domowego, należy skontaktować się z miejscowym urzędem, przedsiębiorstwem zbiórki odpadów z gospodarstw domowych lub sklepem, w którym zakupiono urządzenie. Omawiane urządzenie posiada oznaczenia zgodnie z Dyrektywą Europejską 2012/19/UE w sprawie zużytego sprzętu elektrycznego i elektronicznego (WEEE). Zapewnienie prawidłowego usunięcia omawianego produktu pomoże zapobiec niekorzystnemu wpływowi na środowisko naturalne oraz zdrowie człowieka.

Symbol  umieszczony na wyrobie lub towarzyszącej mu dokumentacji oznacza, że wyrobu nie należy traktować jak odpady komunalne, lecz musi zostać oddany do odpowiedniego punktu zbiórki urządzeń elektrycznych i elektronicznych w celu recyklingu.

PORADY DOTYCZĄCE OSZCZĘDZANIA ENERGII

Urządzenie należy instalować w suchym, dobrze wentylowanym pomieszczeniu, z dala od jakichkolwiek źródeł ciepła (np. grzejników, kuchenek itp.), w miejscu nie narażonym na bezpośrednie promieniowanie słoneczne. Jeżeli to konieczne, należy użyć płyty izolującej.

Aby zapewnić odpowiednią wentylację, należy przestrzegać instrukcji instalacji. Niewystarczająca wentylacja tylnej części wyrobu zwiększa zużycie energii i obniża sprawność chłodzenia.

Częste otwieranie drzwi może powodować wzrost zużycia energii. Na temperaturę we wnętrzu urządzenia oraz zużycie energii może również wpływać temperatura otoczenia i lokalizacja urządzenia. Nastawiona temperatura powinna uwzględniać te czynniki.

Należy do minimum zredukować otwieranie drzwi.

Podczas rozmrażania żywności, należy ją umieścić w chłodziarce. Niska temperatura zamrożonych produktów schładza żywność w chłodziarce. Przed umieszczeniem ciepłych potraw i napojów w urządzeniu należy poczekać na ich ostygnięcie.

Ustawienie półek w chłodziarce nie wpływa w żaden sposób na sprawność energetyczną. Żywność należy umieszczać na półkach w sposób zapewniający prawidłową cyrkulację powietrza (produkty nie powinny się ze sobą stykać i należy zachować odstęp pomiędzy produktami, a ścianą tylną).

Ilość przechowywanej mrożonej żywności można zwiększyć dzięki wyjęciu koszy oraz półki przeciwszronowej, jeżeli występuje.

Nie należy przejmować się odgłosami wydawanymi przez sprężarkę, które opisano jako odgłosy normalne w skróconej instrukcji wyrobu.



Prawidłowe usuwanie starej chłodziarki

OSTRZEŻENIE

Zagrożenie uduszeniem

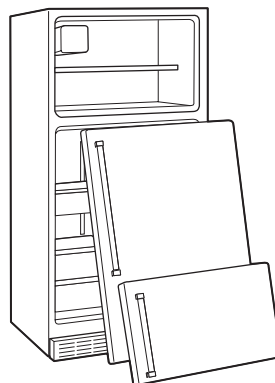
Ze starej chłodziarki należy zdjąć drzwi.

Niezastosowanie się do tego może doprowadzić do śmierci lub uszkodzeń mózgu.

WAŻNE: Przypadki uwięzienia i uduszenia dzieci nadal się zdarzają. Chłodziarki wyrzucone na śmietnik i pozostawione bez nadzoru „tylko na kilka dni” nadal są niebezpieczne. W przypadku pozbywania się starej chłodziarki, należy stosować się do podanych instrukcji, aby zapobiec wypadkom.

Przed wyrzuceniem starej chłodziarki na śmietnik, należy:

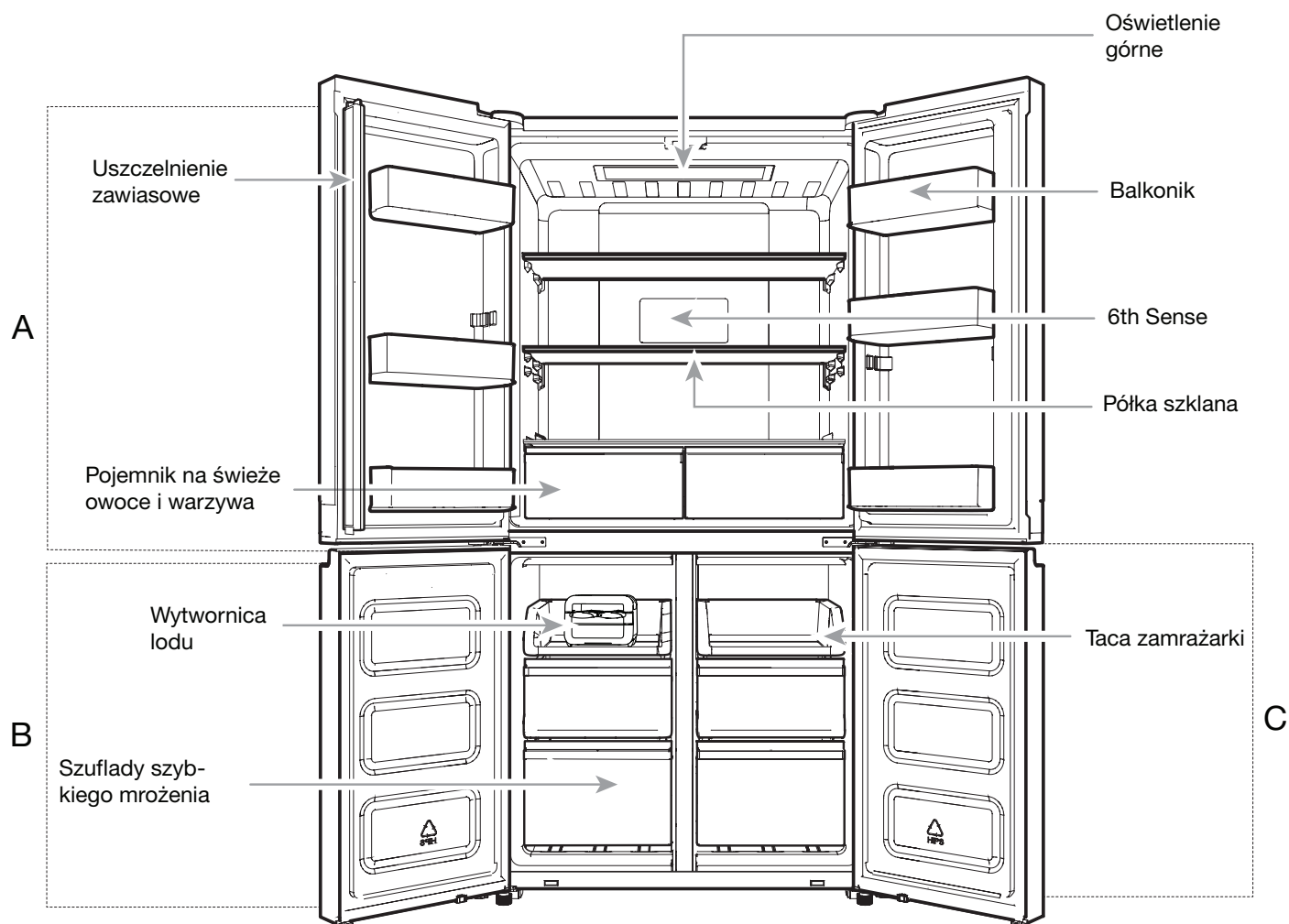
- Zdjąć drzwi.
- Pozostawić półki na miejscu, aby utrudnić dzieciom wejście do środka.



Ważne informacje dotyczące usuwania czynników chłodniczych:

Chłodziarkę należy usuwać zgodnie z obowiązującymi przepisami lokalnymi i krajowymi. Czynniki chłodnicze muszą zostać usunięte przez uprawnionego technika chłodnictwa, zgodnie z obowiązującymi procedurami.

ELEMENTY I FUNKCJE



- A . Chłodziarka
- B . Zamrażarka
- C . Elastyczne mrożenie (tylko w WQ9 B1L, 6WM24NIHAS oraz WQ70900SXX)

INSTRUKCJA INSTALACJI

Pierwsze kroki

LISTA KONTROLNA INSTALACJI

✓ Zasilanie elektryczne

⚠ OSTRZEŻENIE



Zagrożenie porażeniem prądem elektrycznym

Wtyczkę należy podłączać do gniazda z uziemieniem.

Zabrania się usuwania usuwać bolca uziemiającego.

Zabrania się używania adapterów.

Zabrania się używania kabli przedłużających.

Nie przestrzeganie tych instrukcji może spowodować śmierć, pożar lub porażenie prądem elektrycznym.

- Podłączyć wtyczkę chłodziarki do gniazda z uziemieniem.

✓ Drzwi

- Jeżeli w czasie instalacji zachodzi potrzeba zdjęcia drzwi, należy zapoznać się z rozdziałami pt. „Zdejmowanie i ponowne zakładanie drzwi chłodziarki” oraz „Zdejmowanie i ponowne zakładanie frontów drzwi zamrażarki”.
- Drzwi są całkowicie uszczelnione.
- Chłodziarka jest wypoziomowana. Nóżki poziomujące należy wyregulować tak, aby przylegały do podłogi.
- Górne krawędzie drzwi są wyrównane. (Użyć przyrządu do wyrównywania drzwi, jeśli to konieczne).

✓ Kontrole końcowe

- Usunąć wszelkie materiały użyte do pakowania.
- Ustawić zalecaną temperaturę.
- Zachować instrukcje i inną literaturę na przyszłość.
- Aby uzyskać dokładniejszą pomoc techniczną, należy zarejestrować wyrób na stronie www.whirlpool.eu/register.

Rozpakowywanie chłodziarki

⚠ OSTRZEŻENIE

Niebezpieczeństwo związane z dużym ciężarem

Przemieszczanie i instalowanie chłodziarki powinny wykonywać co najmniej dwie osoby.

Nie przestrzeganie tego może spowodować urazy pleców i innych części ciała.

Dostawa chłodziarki

Otwór drzwiowy musi mieć co najmniej 838 mm (33 cale) szerokości. Jeżeli otwór drzwiowy ma szerokość 914 mm (36 cali) lub mniej, konieczne jest zdemontowanie drzwi, szuflady i zawiasów.

Chłodziarkę należy zawsze przewozić przez drzwi ustawioną na wózku bokiem.

Podczas przemieszczania chłodziarki:

Chłodziarka jest ciężka. Podczas przemieszczania chłodziarki w celu jej czyszczenia lub serwisowania, podłogę należy zabezpieczyć przed uszkodzeniem przy użyciu tektury lub dykty. Podczas przemieszczania chłodziarki, zawsze należy wyciągać ją na wprost. Podczas przemieszczania chłodziarki nie należy jej skręcać, ani przestawiać krokowo, ponieważ może to spowodować uszkodzenia podłogi.

Zdjęć opakowanie

- Przed włączeniem chłodziarki należy usunąć pozostałości kleju i taśm z powierzchni urządzenia. Nanieść palcami niewielką ilość detergentu do mycia naczyń na klej. Przetrzeć ciepłą wodą i osuszyć.
- Do usuwania taśm i kleju zabrania się używania ostrych przyborów, alkoholu technicznego, cieczy palnych ani preparatów do usuwania klejów. Produkty te mogą uszkodzić powierzchnie chłodziarki.
- Usunąć lub przekazać do recyklingu wszelkie materiały z opakowania.

Oczyścić przed rozpoczęciem użytkowania

Po usunięciu wszystkich materiałów użytych do pakowania, wnętrze chłodziarki należy oczyścić przed jej użyciem. Należy zapoznać się z instrukcjami czyszczenia w rozdziale pt. „Pielęgnacja chłodziarki”.

Ważne informacje dotyczące szklanych półek i pokryw:

Nie czyścić zimnych szklanych półek ani pokryw przy użyciu ciepłej wody. Narażenie szklanych półek i pokryw na nagłą zmiany temperatury lub uderzenia może spowodować ich pęknięcie.

Szklano hartowane rozpryskuje się na wiele małych odłamków. Jest to zjawisko normalne. Szklane półki i pokrywy są ciężkie. Należy je wyjmować oburącz, aby uniknąć upuszczenia.

Wymagania dotyczące lokalizacji

⚠ OSTRZEŻENIE



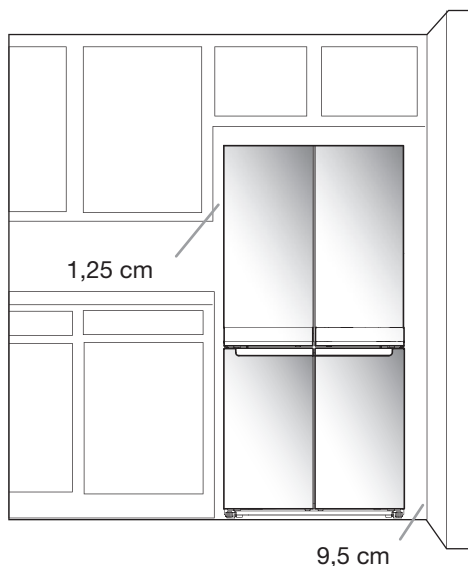
Zagrożenie wybuchem

Materiały i opary łatwopalne, takie jak benzyna, należy trzymać z daleka od chłodziarki.

Niezastosowanie się do tego może doprowadzić do śmierci, wybuchu lub pożaru.

Aby zapewnić prawidłową wentylację chłodziarki, należy pozostawić po 1,25 cm przestrzeni z każdej strony i u góry urządzenia. Pozostawić 5 cm przestrzeni z tyłu chłodziarki. Jeżeli chłodziarka jest wyposażona w kostkę do lodu, z tyłu należy pozostawić dodatkowe miejsce na podłączenie do wodociągu. Podczas instalowania chłodziarki przy litej ścianie, należy pozostawić co najmniej 9,5 cm wolnej przestrzeni pomiędzy chłodziarką i ścianą, aby umożliwić otwarcie drzwi.

UWAGA: Omawiana chłodziarka przeznaczona jest do użytkowania w miejscu, gdzie temperatura mieści się w zakresie od minimum 10°C do maksimum 43°C. Zalecana temperatura w pomieszczeniu, zapewniająca optymalne działanie chłodziarki, obniżone zużycie energii elektrycznej i najlepsze chłodzenie mieści się w przedziale od 15°C do 32°C. Zaleca się, aby nie instalować chłodziarki w pobliżu źródeł ciepła, takich jak piekarnik lub grzejnik.



Wymagania dotyczące zasilania elektrycznego

⚠ OSTRZEŻENIE



Zagrożenie porażeniem prądem elektrycznym

Wtyczkę należy podłączać do gniazda z uziemieniem.

Zabrania się usuwania usuwać bolca uziemiającego.

Zabrania się używania adapterów.

Zabrania się używania kabli przedłużających.

Nie przestrzeganie tych instrukcji może spowodować śmierć, pożar lub porażenie prądem elektrycznym.

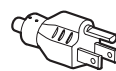
WAŻNE: Instalacja i podłączenia elektryczne muszą zostać wykonane przez wykwalifikowanego technika, według instrukcji producenta i zgodnie z lokalnymi przepisami dotyczącymi bezpieczeństwa.

- Chłodziarka została zaprojektowana do pracy w oddzielnym obwodzie 220-240 V, 10 A, 50/60 Hz.
- Należy upewnić się, czy napięcie podane na tabliczce znamionowej odpowiada napięciu w domowej sieci elektrycznej.
- Musi istnieć możliwość odłączenia urządzenia od zasilania elektrycznego poprzez wyjęcie jego wtyczki z gniazda lub przy użyciu wyłącznika dwubiegunowego zainstalowanego w obwodzie przed gniazdem.
- Jeśli kabel zasilający jest uszkodzony, konieczna jest jego wymiana przez producenta, jego autoryzowany serwis lub inną wykwalifikowaną osobę, dla uniknięcia niebezpieczeństwa.

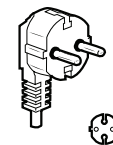
Przed ustawieniem chłodziarki w docelowym miejscu należy upewnić się, czy dostępne jest odpowiednie podłączenie elektryczne:

Zalecana metoda uziemienia

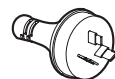
Konieczne jest zasilanie tylko prądem przemiennym 220-240 V 50 Hz, 220 V 60 Hz lub 230/240 V 50 Hz, z uziemieniem i zabezpieczeniem topikowym 10 A.



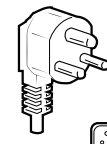
Typ B



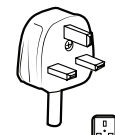
Typ E i F



Typ I



Typ M



Typ G

Australia i Nowa Zelandia:

Urządzenie zostało wyprodukowane w sposób zapewniający zgodność z wszelkimi warunkami i normami australijskimi.

Niektóre zapisy w instrukcjach instalacji mogą odnosić się do wymogów dotyczących zasilania elektrycznego w innych krajach, dlatego należy zwrócić na nie szczególną uwagę.

Wtyczkę urządzenia należy podłączać tylko do gniazda prądu przemiennego 230/240 V 50 Hz, 10A, z uziemieniem.

Wymagania dotyczące zasilania elektrycznego (tylko Wielka Brytania i Irlandia)

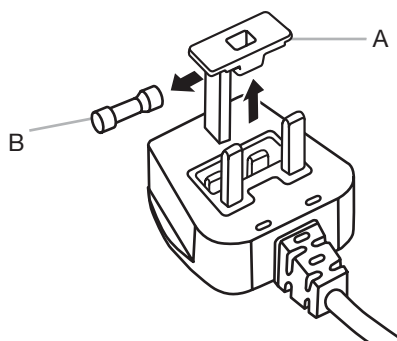
WAŻNE: Chłodziarka musi być uziemiona.

Wymiana bezpiecznika topikowego

Jeżeli przewód główny chłodziarki jest wyposażony we wtyczkę BS1363A z bezpiecznikiem topikowym 13 A, w celu wymiany bezpiecznika w tego typu wtyczce, należy użyć bezpiecznika posiadającego dopuszczenie A.S.T.A. dla typu BS 1362, wykonując następujące czynności:

1. Zdjąć pokrywę bezpiecznika topikowego (A) i bezpiecznik topikowy (B).
2. Umieścić nowy bezpiecznik topikowy 13 A w pokrywie bezpiecznika.
3. Włożyć z powrotem pokrywę wraz z bezpiecznikiem topikowym do wtyczki.

WAŻNE: Podczas wymiany bezpiecznika topikowego konieczne jest założenie pokrywy bezpiecznika na miejsce. W przypadku utraty pokrywy bezpiecznika, zabrania się używania wtyczki do czasu zainstalowania odpowiedniej pokrywy zamiennej. Odpowiednią pokrywę można rozpoznać po kolorze wkładki lub słowie oznaczającym kolor, wytłoczonym na podstawie wtyczki. Zamiennie pokrywy bezpieczników są dostępne w miejscowych sklepach z artykułami elektrycznymi.



A. Pokrywa bezpiecznika topikowego

B. Bezpiecznik topikowy

Republika Irlandii (tylko):

Bardzo często zastosowanie będą miały informacje podane wyżej w odniesieniu do Wielkiej Brytanii, lecz używany jest również trzeci rodzaj wtyczki i gniazdka, 2-biegunowy, z uziemieniem bocznym.

Gniazdo i wtyczka (dotyczy obydwu krajów):

Jeśli zainstalowana wtyczka nie pasuje do gniazda, prosimy skontaktować się z działem obsługi posprzedażnej w celu uzyskania dalszych instrukcji. Nie należy podejmować prób samodzielnej wymiany wtyczki. Procedura ta musi zostać wykonana przez wykwalifikowanego technika według instrukcji producenta i zgodnie z lokalnymi przepisami dotyczącymi bezpieczeństwa.

Temperatura

Omawiana chłodziarka została zaprojektowana do użytkowania w miejscach, gdzie temperatura zawiera się w podanych niżej przedziałach, zależnych od klasy klimatycznej podanej na tabliczce znamionowej. Chłodziarka może nie działać prawidłowo, jeżeli będzie zbyt długo narażona na temperatury poza podanymi przedziałami.

UWAGA: Zaleca się, aby nie instalować chłodziarki w pobliżu źródeł ciepła, takich jak piekarnik lub grzejnik.

Klasa klimatyczna	T otocz. (°C)	T otocz. (°F)
SN	Od 10 do 32	Od 50 do 90
N	Od 16 do 32	Od 61 do 90
ST	Od 16 do 38	Od 61 do 100
T	Od 16 do 43	Od 61 do 110

Zdejmowanie i zakładanie drzwi chłodziarki

UWAGA: Należy zmierzyć szerokość otworu drzwi aby ustalić, czy konieczne jest zdjęcie drzwi chłodziarki w celu wniesienia jej do domu. Jeżeli zdjęcie drzwi jest konieczne, należy zapoznać się z poniższymi instrukcjami.

WAŻNE: Jeżeli chłodziarka była wcześniej zainstalowana i jest wynoszona z domu, przed przystąpieniem do zdejmowania drzwi należy wyłączyć elementy sterujące chłodziarki. Wyjąć wtyczkę chłodziarki z gniazda lub odłączyć zasilanie. Wyjąć żywność i zdjąć regulowane koszyki z drzwi.

Zgromadzić wymagane narzędzia i przeczytać wszystkie instrukcje przed przystąpieniem do zdejmowania drzwi.

POTRZEBNE NARZĘDZIA: Klucz imbusowy 6 mm, klucz imbusowy 5 mm oraz wkrętak Phillips nr 2.



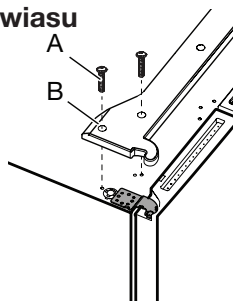
⚠ OSTRZEŻENIE

Zagrożenie porażeniem prądem elektrycznym

Przed zdjęciem drzwi należy odłączyć zasilanie.

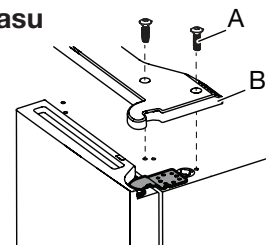
Niezastosowanie się do tego może doprowadzić do śmierci lub porażenia prądem elektrycznym.

Pokrywa lewego górnego zawiasu



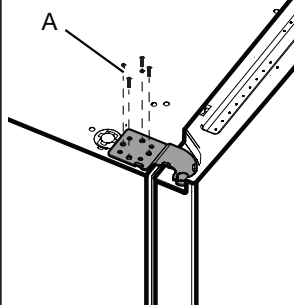
- A. Wkręty pokrywy górnego zawiasu
- B. Pokrywa górnego zawiasu

Pokrywa prawego górnego zawiasu



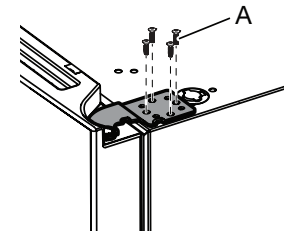
- A. Wkręty pokrywy górnego zawiasu
- B. Pokrywa górnego zawiasu

Lewy górny zawias



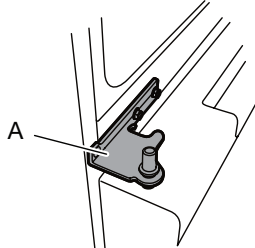
- A. Wkręty z łbem gniazdowym 5 mm

Prawy górny zawias



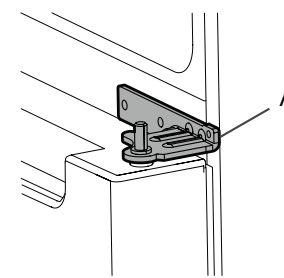
- A. Wkręty z łbem gniazdowym 5 mm

Lewy środkowy zawias



- A. Zawias

Prawy środkowy zawias



- A. Zawias

⚠ OSTRZEŻENIE

Niebezpieczeństwo związane z dużym ciężarem

Do podnoszenia drzwi chłodziarki potrzebne są co najmniej dwie osoby.

Nie przestrzeganie tego może spowodować urazy pleców i innych części ciała.

Zdejmowanie drzwi chłodziarki

⚠ OSTRZEŻENIE



Zagrożenie porażeniem prądem elektrycznym

Przed zdjęciem drzwi należy odłączyć zasilanie.

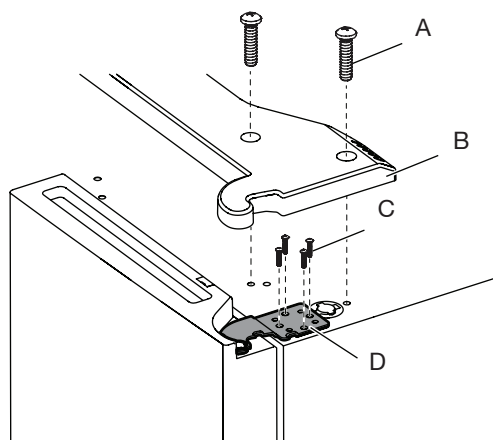
Niezastosowanie się do tego może doprowadzić do śmierci lub porażenia prądem elektrycznym.

Zdejmowanie drzwi prawych

1. Wyjąć wtyczkę chłodziarki z gniazda lub odłączyć zasilanie.
2. Drzwi chłodziarki powinny pozostawać zamknięte do czasu, gdy będzie można je oddzielić od szafy.

UWAGA: Podczas demontowania zawiasów należy zapewnić dodatkowe podparcie dla drzwi chłodziarki. Podczas prac nie należy polegać na tym, że magnesy uszczelki drzwi utrzymają drzwi na miejscu.

3. Posługując się wkrętakiem typu Phillips, zdjąć pokrywę z górnego zawiasu.
4. Posługując się kluczem imbusowym 5 mm, wykręcić cztery wkręty z górnego zawiasu i odłożyć na bok.



A. Wkręt pokrywy górnego zawiasu

B. Pokrywa górnego zawiasu

C. Wkręty z łbem gniazdowym 5 mm

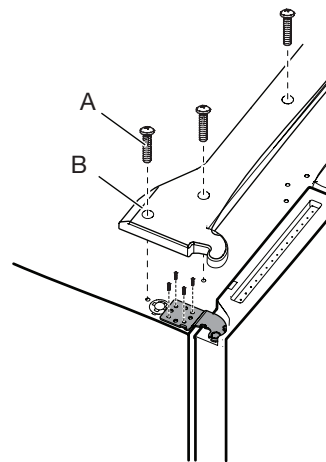
D. Górny zawias

5. Podnieść drzwi chłodziarki ze sworznia środkowego zawiasu. Górny zawias zejdzie razem z drzwiami.

Zdejmowanie drzwi lewych

WAŻNE: Przewody interfejsu użytkownika biegną przez zawias drzwi lewych, dlatego konieczne jest ich odłączenie przed zdjęciem drzwi.

1. Posługując się wkrętakiem typu Phillips, zdjąć pokrywę z górnego zawiasu.

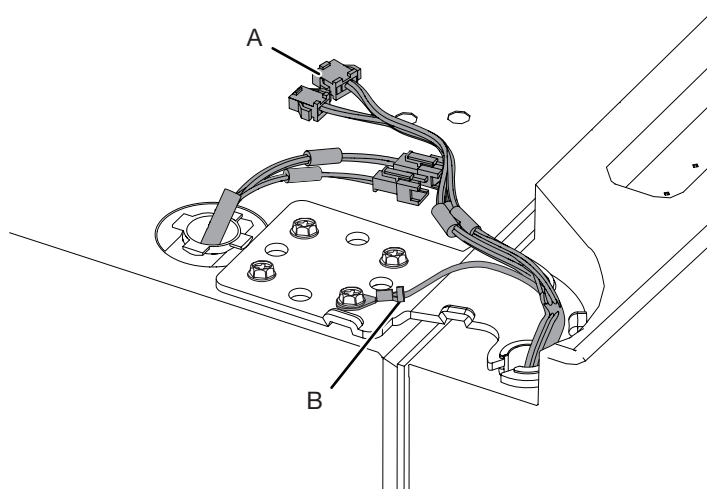


A. Wkręt pokrywy górnego zawiasu

B. Pokrywa górnego zawiasu

2. Odłączyć dwie wtyczki przewodów znajdujące się u góry zawiasu drzwi.

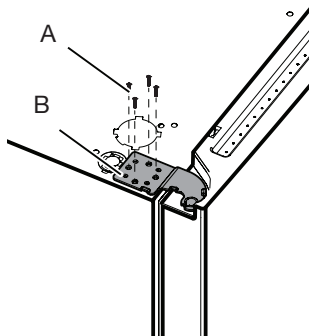
- Chwycić wtyczki przewodów po obydwu stronach. Nacisnąć lewym kciukiem, aby zwolnić zaczep i odciągnąć od siebie części wtyczek.



A. Wtyczka przewodów

B. Złącze uziemienia

- Postępując się kluczem imbusowym 5 mm, wykręcić cztery wewnętrzne wkręty z górnego zawiasu i odłożyć na bok.



- A. Wkręty z łbem gniazdowym 5mm
B. Górny zawias

UWAGA: Podczas demontowania zawiasów należy zapewnić dodatkowe podparcie dla drzwi chłodziarki. Podczas prac nie należy polegać na tym, że magnesy uszczelki drzwi utrzymają drzwi na miejscu.

- Podnieść drzwi chłodziarki ze sworznia dolnego zawiasu. Górny zawias zejdzie razem z drzwiami.

UWAGA: Przemieszczenie chłodziarki przez drzwi może wymagać zdemontowania dolnych zawiasów i zespołów nóżek blokujących.

- Tylko jeśli to konieczne, zdemontować środkowy zawias przy użyciu klucza imbusowego 6 mm oraz wkrętaka Phillips nr 2.

Zakładanie drzwi prawych chłodziarki

- Założyć drzwi prawe na sworznię środkowego zawiasu.
- Włożyć sworznię górnego zawiasu do otworu u góry drzwi chłodziarki.
- Przymocować zawias do szafy przy użyciu wkrętów z łbem gniazdowym 5 mm. Wkrętów nie należy dokręcać całkowicie.

Zakładanie drzwi lewych chłodziarki

- Założyć drzwi lewe na sworznię środkowego zawiasu.
- Przymocować zawias do szafy przy użyciu wkrętów z łbem gniazdowym 5 mm. Wkrętów nie należy dokręcać całkowicie.
- Podłączyć z powrotem przewody elektryczne.
 - Ścisnąć ze sobą obydwie części wtyczki przewodów.
 - Podłączyć z powrotem przewód uziemienia do wkręta zawiasu.

Czynności końcowe

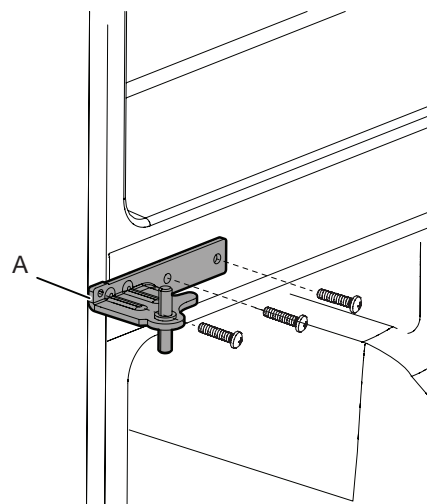
- Całkowicie dokręcić osiem wkrętów z łbem gniazdowym 5 mm.
- Założyć na miejsce pokrywy górnego zawiasu.

Zdejmowanie i zakładanie drzwi zamrażarki/elastycznego mrożenia

- Drzwi zamrażarki powinny pozostawać zamknięte do czasu, gdy będzie można je oddzielić od szafy.

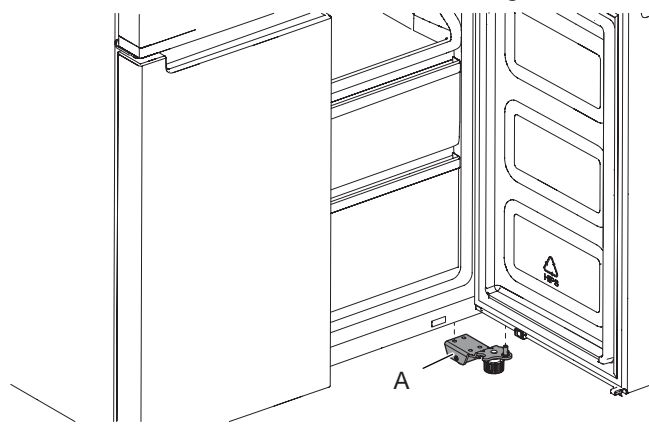
UWAGA: Podczas demontowania zawiasów należy zapewnić dodatkowe podparcie dla drzwi zamrażarki. Podczas prac nie należy polegać na tym, że magnesy uszczelki drzwi utrzymają drzwi na miejscu.

- Postępując się wkrętakiem typu Phillips nr 2 oraz kluczem imbusowym 6 mm, zdemontować środkowy zawias z szafy.



A. Środkowy zawias

- Podnieść drzwi zamrażarki ze sworznia dolnego zawiasu.



A. Dolny zawias

⚠ OSTRZEŻENIE



Zagrożenie porażeniem prądem elektrycznym

Wtyczkę należy podłączać do gniazda z uziemieniem.

Zabrania się usuwania usuwać bolca uziemiającego.

Zabrania się używania adapterów.

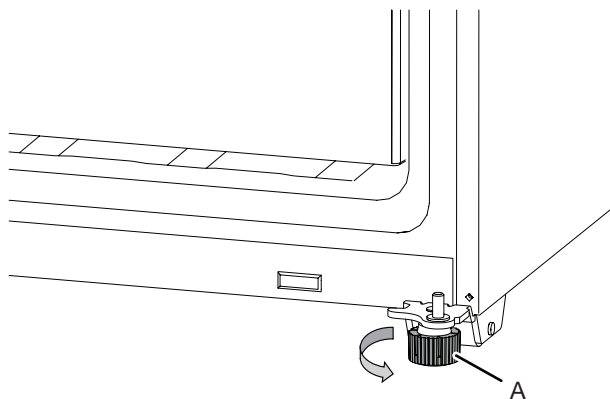
Zabrania się używania kabli przedłużających.

Nie przestrzeganie tych instrukcji może spowodować śmierć, pożar lub porażenie prądem elektrycznym.

1. Podłączyć wtyczkę do gniazda z uziemieniem.
2. Założyć wszystkie demontowalne elementy i włożyć żywność do szuflad.

Poziomowanie chłodziarki

1. Ustawić chłodziarkę w docelowym miejscu.
2. Obrócić nóżki blokujące ręką. Należy obracać je przeciwnie do ruchu wskazówek zegara do momentu uniesienia rolek nad podłogę i pewnego oparcia nóżek blokujących na podłodze. Zapobiegnie to toczeniu się chłodziarki do przodu podczas otwierania drzwi.



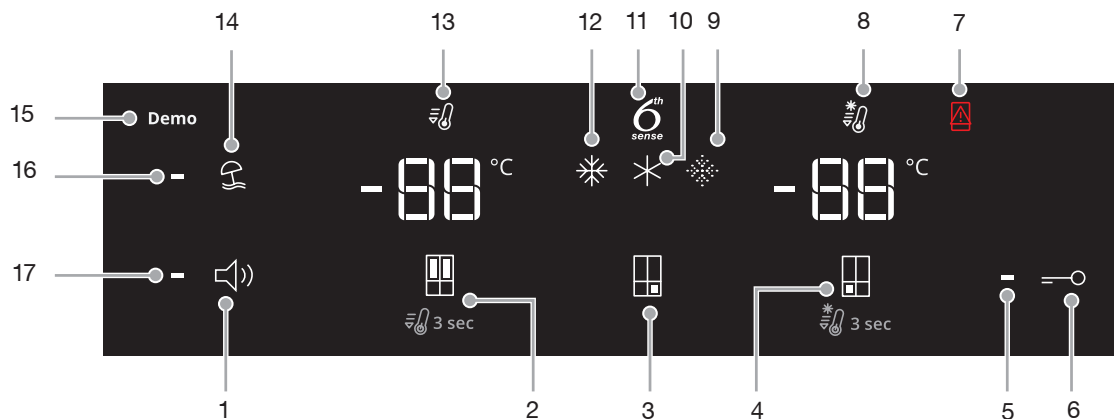
A. Nóżki blokujące

WAŻNE: Aby dokonać dalszych regulacji przy użyciu nóżek blokujących, konieczne jest ich obracanie o taki sam kąt, aby utrzymać wypoziomowanie chłodziarki.

3. Postępując się poziomicą, sprawdzić wypoziomowanie chłodziarki w kierunku przód-tył i na boki.

Używanie elementów sterujących

Dotykowe elementy sterujące znajdują się na lewych drzwiach chłodziarki. Pulpit sterujący zawiera informacje dotyczące różnych przycisków i wskaźników. Wskaźnik temperatury chłodziarki i zamrażarki podaje ostatnio nastawioną temperaturę.



1. Przycisk włączania i wyłączania dźwięków
2. Przycisk temperatury chłodziarki (przytrzymanie przez 3 sek. włącza szybkie schładzanie)
3. Przycisk ustawienia temperatury elastycznego mrożenia (tylko w WQ9 B1L, 6WM24NIHAS oraz WQ70900SXX)
4. Przycisk temperatury zamrażarki (przytrzymanie przez 3 sek. włącza szybkie mrożenie)
5. Wskaźnik blokady
6. Przycisk blokady
7. Wskaźnik otwartych drzwi
8. Wskaźnik szybkiego mrożenia
9. Wskaźnik łagodnego mrożenia (tylko w WQ9 B1L, 6WM24NIHAS oraz WQ70900SXX)
10. Wskaźnik średniego mrożenia (tylko w WQ9 B1L, 6WM24NIHAS oraz WQ70900SXX)
11. Wskaźnik 6th Sense
12. Wskaźnik mocnego mrożenia (tylko w WQ9 B1L, 6WM24NIHAS oraz WQ70900SXX)
13. Wskaźnik szybkiego schładzania
14. Przycisk trybu urlopowego
15. Wskaźnik trybu demonstracyjnego (tylko w WQ9 B1L, 6WM24NIHAS oraz WQ70900SXX)
16. Wskaźnik trybu urlopowego
17. Wskaźnik dźwięku

Pulpit sterujący wyłączy się automatycznie po upływie jednej minuty bezczynności. Aby włączyć pulpit sterujący należy nacisnąć dowolny klawisz.

-88 Wyświetlanie i zmienianie nastaw temperatury

Ustawianie temperatur komór chłodziarki i zamrażarki:

Dla wygody użytkownika, elementy sterujące chłodziarki i zamrażarki zostały ustawione fabrycznie.

Przy pierwszej instalacji chłodziarki, należy upewnić się, czy elementy sterujące nadal są ustawione na zalecane nastawy. Zalecane nastawy fabryczne to: 3°C dla chłodziarki oraz -18°C dla zamrażarki.

Naciśnięcie przycisku temperatury chłodziarki lub zamrażarki wyświetla kolejno nastawy temperatury w stopniach Celsjusza (°C).

WAŻNE:

- Przed włożeniem żywności do chłodziarki należy odczekać 24 godziny. Włożenie żywności do chłodziarki przed jej całkowitym schłodzeniem może skutkować zepsuciem żywności.

UWAGA: Ustawienie nastaw na temperatury niższe od zalecanych nie spowoduje szybszego ochłodzenia komór.

- Jeżeli temperatura wewnątrz chłodziarki lub zamrażarki jest zbyt wysoka lub zbyt niska, przed przestawieniem elementów sterujących należy sprawdzić, czy otwory wentylacyjne nie są zablokowane.

- Zalecane ustawienia powinny być odpowiednie dla typowego użytku domowego. Elementy sterujące są nastawione prawidłowo, gdy mleko lub sok są tak zimne, jak lubisz, a lody są twarde.

UWAGA: W miejscach takich jak garaże, piwnice lub przedziónki, mogą występować większe temperatury skrajne oraz wilgotność. Aby uwzględnić te warunki, może zachodzić potrzeba zmiany ustawień temperatury na inne niż zalecane.

- Należy odczekać co najmniej 24 minut pomiędzy kolejnymi zmianami. Sprawdzić ponownie temperaturę przed dokonaniem innych regulacji.

6th Sterowanie mrożeniem i funkcją zachowania świeżości 6th Sense


Czujnik ochrony świeżości 6th SENSE zapewnia precyzyjne i powtarzalne sterowanie temperaturą, które pozwala w najbardziej naturalny sposób zachować świeżość żywności przez dłuższy czas. Po wykryciu zmiany temperatury, czujnik uaktywnia sprężarkę, która szybko przywraca pierwotną temperaturę.

Czujnik mrożenia 6th SENSE minimalizuje fluktuacje temperatury w zamrażarce dzięki nowatorskiemu systemowi zarządzania temperaturą. Zmniejsza to ryzyko wystąpienia oparzeń i chroni jakość oraz kolor żywności.

* * * Ustawienie elastycznego mrożenia (tylko w WQ9 B1L, 6WM24NIHAS oraz WQ70900SXX)

Funkcja elastycznego mrożenia pozwala na przełączanie wcześniej nastawionych temperatur dla komory elastycznego mrożenia.

Symbol	Funkcja	Temperatura
❄	Mrożenie tradycyjne	-18°C
❄	Mrożenie umiarkowane	-12°C
❄	Mrożenie słabe	-7°C

* Aby włączyć/wyłączyć ustawienie najniższej temperatury (-20°C), należy nacisnąć przycisk temperatury elastycznego mrożenia  i przytrzymać przez 3 sekundy. Po uaktywnieniu ustawienia najniższej temperatury, świecić będą wszystkie trzy ikony.

Regulowanie ustawienia wielu temperatur



- Mrożenie tradycyjne (-18°C): Żywność już zamrożona i żywność świeża (maks. 12 miesięcy)
- Mrożenie umiarkowane (-12°C): Żywność już zamrożona (maks. 1 miesiąc)
- Mrożenie słabe (-7°C): Żywność już zamrożona (maks. 1 tydzień)
- Gdy elastyczne mrożenie jest ustawione na -18°C lub -20°C, zarówno temperatura elastycznego mrożenia, jak i temperatura zamrażarki zostanie obniżona do najniższego ustawienia zamrażarki lub elastycznego mrożenia.
- Temperatura komory elastycznego mrożenia może nie być w stanie osiągnąć -7°C, gdy temperatura otoczenia wynosi około 10C lub mniej.

Podczas regulowania nastaw temperatury, należy posłużyć się poniższą tabelą:

STAN	REGULACJA TEMPERATURY
Chłodziarka zbyt zimna	Ustawienie chłodziarki o 1° wyżej
Chłodziarka zbyt ciepła	Ustawienie chłodziarki o 1° niżej
Zamrażarka zbyt zimna	Ustawienie zamrażarki o 1° wyżej
Zamrażarka zbyt ciepła lub za mało lodu	Ustawienie zamrażarki o 1° niżej



Szybkie schładzanie

Funkcja szybkiego schładzania jest pomocna w okresach intensywnego wykorzystania chłodziarki, przy pełnym jej załadunku i przy wysokich temperaturach w pomieszczeniu.

- Aby włączyć funkcję szybkiego schładzania, należy nacisnąć przycisk temperatury chłodziarki  i przytrzymać przez 3 sekundy. Włączenie funkcji jest sygnalizowane świeceniem ikony szybkiego schładzania. Funkcja szybkiego schładzania pozostaje włączona przez 2 godziny, chyba że zostanie wyłączona ręcznie.
- Aby ręcznie wyłączyć funkcję szybkiego schładzania, należy nacisnąć przycisk temperatury chłodziarki  i przytrzymać przez 3 sekundy. Ikona szybkiego schładzania nie świeci, gdy ta funkcja jest wyłączona.
- Zmiana nastawy temperatury chłodziarki automatycznie wyłącza funkcję szybkiego schładzania.

Szybkie mrożenie

Ilość świeżej żywności (w kg), jaką można zamrozić w ciągu 24 godzin podano na tabliczce znamionowej urządzenia.

- Na 24 godziny przed włożeniem świeżej żywności do zamrażarki należy nacisnąć przycisk temperatury zamrażarki  i przytrzymać przez 3 sekundy (aż zacznie świecić wskaźnik szybkiego mrożenia). 24 godziny działania funkcji szybkiego mrożenia po umieszczeniu świeżej żywności w zamrażarce zwykle jest wystarczające. Po upływie 50 godzin funkcja szybkiego mrożenia wyłącza się automatycznie.
- Aby ręcznie wyłączyć funkcję szybkiego mrożenia, należy nacisnąć przycisk temperatury zamrażarki  i przytrzymać przez 3 sekundy. Ikona szybkiego mrożenia zgaśnie.
- Zmiana nastawy temperatury zamrażarki automatycznie wyłącza funkcję szybkiego mrożenia.

Tryb urlopowy

Tryb ten zapobiega marnotrawieniu energii przez urządzenie wtedy, gdy nie jest ono regularnie używane (np. gdy wyjechalibyśmy na urlop).

Wybranie tej funkcji spowoduje automatyczne ustawienie temperatury 12°C w komorze chłodziarki (RC).

- Aby użyć trybu urlopowego, należy naciskać przycisk trybów pracy, aż wskaźnik trybu urlopowego pojawi się na wyświetlaczu.
- Aby zakończyć tryb urlopowy, należy naciskać przycisk trybów pracy, aż na wyświetlaczu nie będzie świecić żadna ikona trybu pracy.
- Zmiana nastawy temperatury chłodziarki automatycznie wyłącza funkcję trybu urlopowego.

WAŻNE: Jeżeli wybrano ten tryb, konieczne jest wyjęcie całej żywności i napojów z komory chłodziarki.

Włączanie i wyłączenie dźwięków

Naciśnięcie tego przycisku włącza lub wyłącza sygnały akustyczne.

Blokada klawiszy

- Aby uaktywnić funkcję blokady, należy nacisnąć przycisk blokady i przytrzymać przez 3 sekundy.
- Aby wyłączyć blokadę, należy nacisnąć przycisk blokady i przytrzymać przez 3 sekundy.

Funkcja blokady uniemożliwia korzystanie z pulpitu sterującego do czasu jego odblokowania przez użytkownika. Funkcja ta zapobiega niezamierzonym zmianom ustawień.

Tryb demonstracyjny (tylko w WQ9 B1L, 6WM24NIHAS oraz WQ70900SXX)


Tryb ten jest używany, gdy chłodziarka jest wystawiona w sklepie lub gdy zachodzi potrzeba wyłączenia chłodzenia i wszystkich innych funkcji (za wyjątkiem oświetlenia wnętrza).

Trybu demonstracyjnego można używać w przypadku wyjazdu na dłuższy urlop. Czynności wymagane w związku z pozostawieniem chłodziarki w tym trybie na dłuższy czas opisano w rozdziale pt. „Urlop i przewodniczka”.

- Włączenie trybu demonstracyjnego spowoduje pojawienie się ikony „Demo” na wyświetlaczu.
- Aby wyłączyć lub wyłączyć tryb demonstracyjny należy nacisnąć jednocześnie przycisk włączania lub wyłączania dźwięku oraz przycisk blokady i przytrzymać je przez 3 sekundy.

Dodatkowe funkcje

Alarm otwartych drzwi

- Funkcja alarmu otwartych drzwi emituje alarm akustyczny i powoduje miganie ikony otwartych drzwi , gdy dowolne z czterech skrzydeł drzwi jest otwarte dłużej niż 2 minuty.
- Alarm jest powtarzany co 5 minut. Aby go wyłączyć, należy zamknąć wszystkie drzwi.

UWAGA: Aby wyciszyć alarm akustyczny przy otwartych drzwiach, np. podczas czyszczenia wnętrza chłodziarki, należy dotknąć dowolnego przycisku na pulpicie sterującym. Dźwięk alarmu zostanie tymczasowo wyłączony, jednak ikona otwartych drzwi nadal będzie wyświetlana na pulpicie sterującym.

Oświetlenie chłodziarki

Chłodziarka wyposażona jest w oświetlenie wnętrza, które włącza się w momencie otwarcia drzwi.

UWAGA: Oświetlenie wykonano w technologii LED i nie wymaga wymiany. Jeżeli oświetlenie LED nie włącza się po otwarciu drzwi, należy wezwać serwis w celu wymiany oświetlenia.

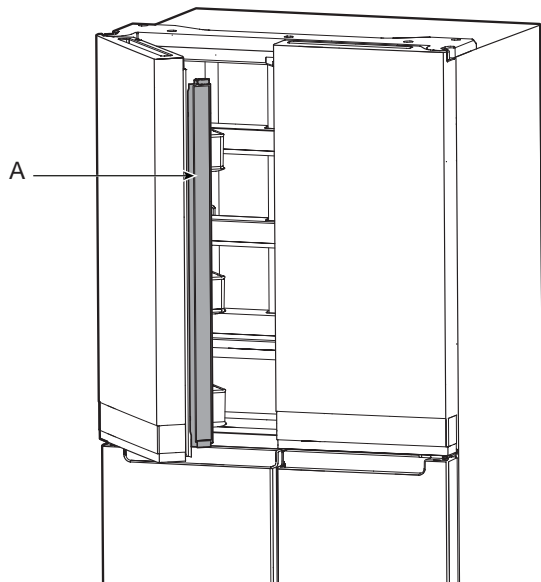
UŻYTKOWANIE CHŁODZIARKI

Otwieranie i zamykanie drzwi

Drzwi komory chłodziarki posiadają dwa skrzydła. Skrzydła drzwi można zamykać oddzielnie lub łącznie. Na lewym skrzydle drzwi chłodziarki znajduje się pionowe uszczelnienie zamocowane zawiasowo.

- Otwarcie lewego skrzydła drzwi powoduje automatyczne złożenie się i schowanie uszczelnienia na zawiasie do wewnątrz.
- Gdy obydwa skrzydła drzwi są zamknięte, uszczelnienie na zawiasie automatycznie tworzy uszczelnienie pomiędzy obydwojma skrzydłami drzwi

UWAGA: Podczas zamykania drzwi, uszczelnienie na zawiasie powinno zajmować prawidłową pozycję (zagięte do wewnątrz). W przeciwnym razie uderzy w drzwi prawe lub trzpień mocujący.

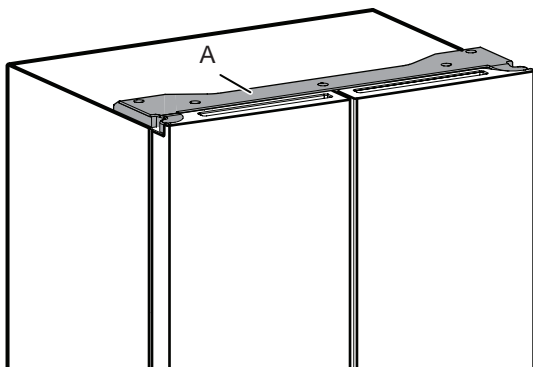


A. Uszczelnienie zawiasowe

Łącznik drzwiowy komory chłodziarki znajduje się w pokrywie górnego lewego i prawego zawiasu.

- Łącznik drzwiowy zamrażarki oraz przedziału wielotemperaturowego znajduje się w słupku dolnym.
- Łącznik drzwiowy wykrywa otwarcie drzwi dzięki magnesowi.
- Nie należy zbliżać urządzeń magnetycznych lub elektronicznych (np. głośnik, Coolvox® itp.) na odległość mniejszą niż 7,62 cm od kołpaka zawiasu.

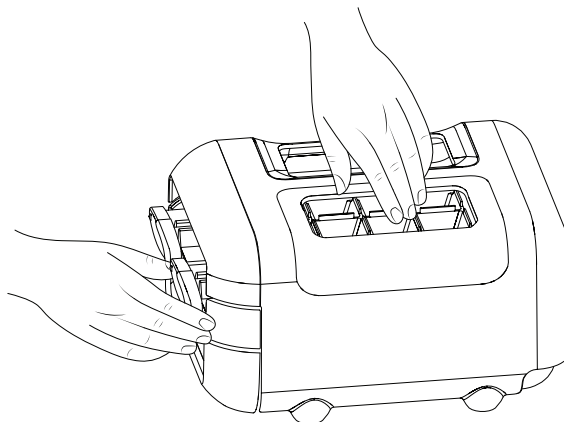
UWAGA: W przypadku niewykrycia otwarcia drzwi, oświetlenie nie zostanie włączone.



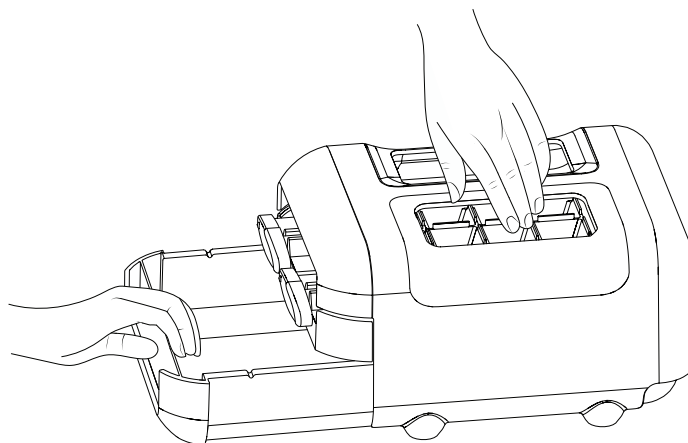
A. Pokrywa zawiasu

Kostkarka do lodu

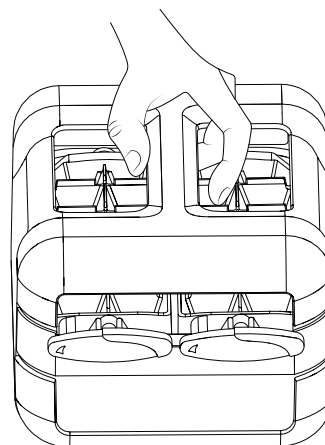
- Aby wyprodukować lód, należy napęlić tackę filtrowaną wodą i umieścić ręczną kostkarkę do lodu na górnej półce zamrażarki. Zaczekać na powstanie lodu, a następnie obrócić pokrętła w kierunku zgodnym z ruchem wskazówek zegara, aby wycisnąć kostki lodu do pojemnika na lód.



- Unieść nieco pojemnik na lód i wyciągnąć go, aby uzyskać dostęp do kostek lodu.



Gdy zespół ręcznej kostkarki do lodu nie jest używany, można wyjąć go z zamrażarki, aby zrobić miejsce w zamrażarce.



Przechowywanie żywności

Przechowywanie jaj

Aby zapewnić świeżość jaj, zaleca się przechowywać je w stałej temperaturze, dlatego jaja najlepiej trzymać w chłodziarce, na środkowej półce.

PÓŁKI, POJEMNIKI I SZUFLADY

Ważne informacje dotyczące szklanych półek i pokryw:

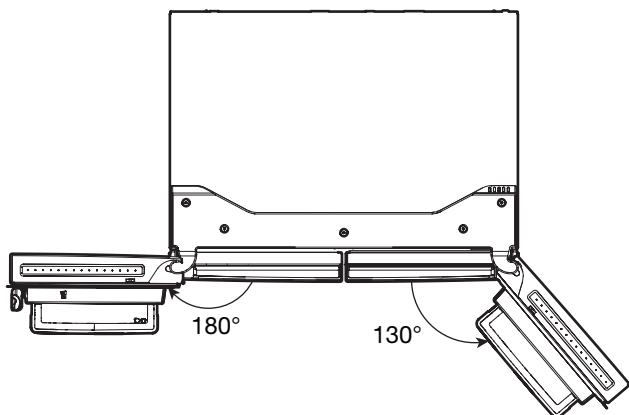
Nie czyścić zimnych szklanych półek ani pokryw przy użyciu ciepłej wody. Narazanie szklanych półek i pokryw na nagłą zmiany temperatury lub uderzenia może spowodować ich pęknięcie.

Szkło hartowane rozpryskuje się na wiele małych odłamków. Jest to zjawisko normalne. Szklane półki i pokrywy są ciężkie. Należy je wyjmować oburącz, aby uniknąć upuszczenia.

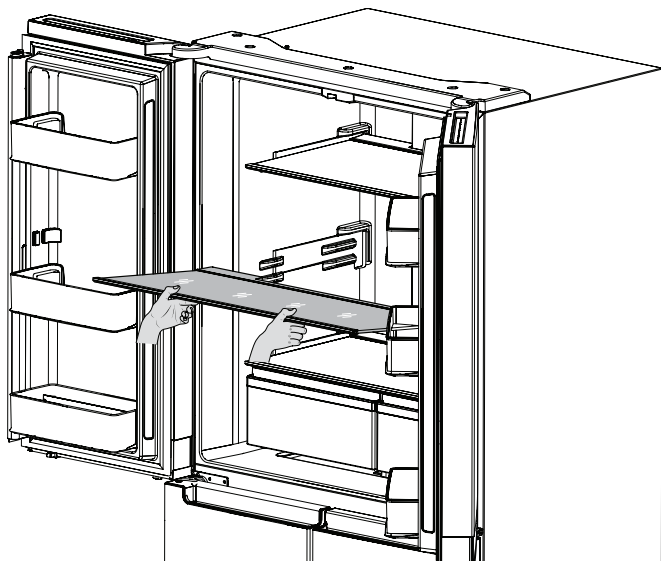
Regulacja wysokości półek

Wysokość półek można regulować umieszczając je na wspornikach dolnych lub górnych.

- Otworzyć prawe drzwi na całą szerokość.
- Otworzyć lewe drzwi na całą szerokość, a następnie podnieść drzwi, aby otworzyć je o 180°.



- Wyjąć półkę z chłodziarki i włożyć je na żądane miejsce.



- Upewnić się, czy półka jest prawidłowo osadzona w uchwytach.

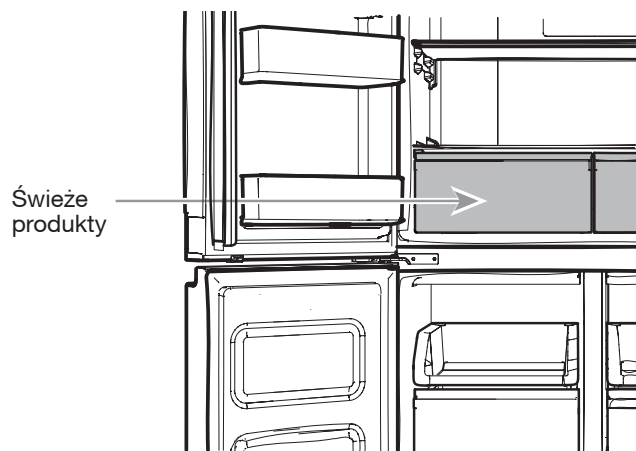
Półki i ramki półek

Półki w chłodziarce można regulować zależnie od własnych potrzeb. Przechowywanie podobnych produktów spożywczych w jednym miejscu chłodziarki i dostosowanie półek do różnych wysokości produktów ułatwia znalezienie właściwych wyrobów. Pozwala to również na skrócenie czasu otwarcia drzwi chłodziarki oraz na oszczędność energii.

Wyjmowanie i zakładanie półek:

1. Otworzyć prawe drzwi na całą szerokość, lewe drzwi na całą szerokość a następnie je podnieść, aby otworzyć o 180°.
2. Wyjąć środkową lub górną półkę podnosząc ją i wysuwając z uchwytów. Następnie wyciągnąć półkę do przodu i przechylić do dołu, do pozycji pionowej. Ustawić półkę pod kątem i wyciągnąć z chłodziarki.
3. Wyjąć dolną półkę podnosząc ją i wysuwając z uchwytów. Następnie wyciągnąć półkę do przodu i przechylić do góry, do pozycji pionowej. Ustawić półkę pod kątem i wyciągnąć z chłodziarki.
4. Zainstalować z powrotem środkową i górną półkę, wkładając je pod kątem do chłodziarki, przodem półki do dołu. Podnieść przód półki i wsunąć ją tak, aby tył półki wszedł do uchwytów półki. Obniżyć przód półki i upewnić się, czy półka została prawidłowo osadzona.
5. Zainstalować z powrotem dolną półkę, wkładając ją pod kątem do chłodziarki, półką do góry. Obniżyć przód półki i wsunąć ją tak, aby tył półki wszedł do uchwytów półki. Obniżyć przód półki i upewnić się, czy półka została prawidłowo osadzona.

Pojemniki na świeże produkty

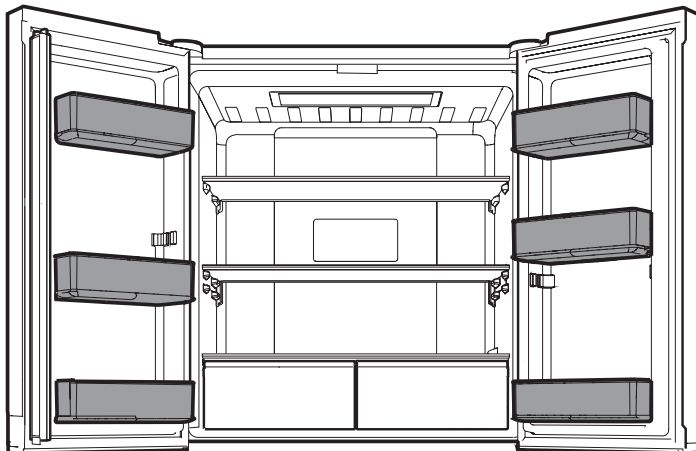


Aby wyjąć i włożyć na miejsce pojemniki na świeże produkty, należy:

1. Chwycić za uchwyt pojemnika na świeże produkty i wysunąć go na wprost do oporu. Podnieść pojemnik na świeże produkty i zdjąć z prowadnicy dolnej.
2. Aby założyć pojemnik na świeże produkty na miejsce, należy umieścić go na prowadnicy dolnej i popchnąć na właściwe miejsce, pokonując opór.

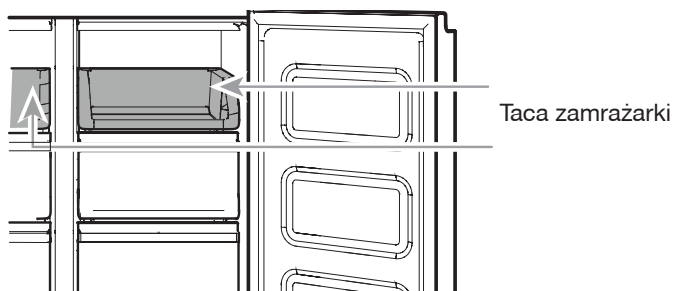
Balkoniki chłodziarki

Balkoniki na drzwiach chłodziarki można regulować zależnie od własnych potrzeb.



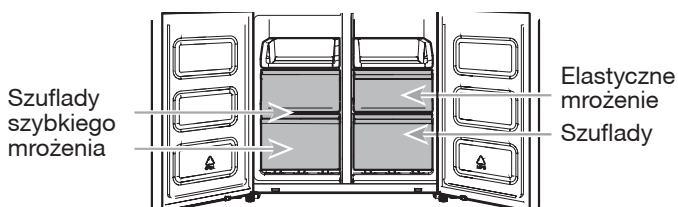
Komory zamrażarki

Taca zamrażarki



Taca zamrażarki pozwala na łatwy dostęp do często używanych produktów, a także na zamrażanie lub przechowywanie resztek lub niewielkich produktów.

Szuflady zamrażarki



Komora szybkiego mrożenia

- Szuflady szybkiego mrożenia pozwalają na wygodne przechowywanie produktów o dużych rozmiarach.
- Opcja szybkiego mrożenia umożliwia bezpieczne i uporządkowane przechowywanie zamrożonej żywności.

UWAGA: Jeżeli w zamrażarce ustawiono temperaturę wyższą niż w komorze elastycznego mrożenia, temperatura w zamrażarce może zostać obniżona do temperatury w komorze elastycznego chłodzenia.

Komora elastycznego mrożenia (tylko w WQ9 B1L, 6WM24NIHAS oraz WQ70900SXX)

Funkcja elastycznego mrożenia pozwala na wybranie jednego z trzech poziomów temperatury zamrażarki: -7°C , -12°C , -18°C , oraz -20°C w celu zapewnienia najlepszych warunków przechowywania dla różnych rodzajów żywności.

W celu maksymalizacji pojemności zamrażarki można wyjąć szufladę zamrażarki, odsłaniając półkę zamrażarki.

Aby wyjąć szufladę górną, należy:

1. Chwycić za uchwyt szuflady i wysunąć ją na wprost do oporu. Podnieść szufladę i zdjąć z prowadnicy dolnej.
2. Aby założyć szufladę na miejsce, należy umieścić ją na prowadnicy dolnej i popchnąć na właściwe miejsce, pokonując opór.

Półka zamrażarki (tylko w WQ9 E1L oraz WQ9 B1L)

W celu maksymalizacji pojemności zamrażarki można wyjąć szufladę środkową, odsłaniając półkę zamrażarki. Pozwala to na przechowywanie szuflady górnej załadowanej żywnością bezpośrednio na półce.

Sygnaly akustyczne

Przypisanie dźwięku

Nazwa dźwięku	Przykłady użycia
Włączenie zasilania	Układ chłodzenia włącza się przy każdym włączeniu zasilania urządzenia.
Naciśnięcie klawisza	Użytkownik naciska prawidłowy przycisk.
Nieprawidłowe działanie (błąd)	Użytkownik naciska dwa lub więcej prawidłowych przycisków jednocześnie. Przerwanie odliczania dla przycisków typu naciśnij-przytrzymaj.
Włączenie	Potwierdzenie włączenia danego trybu.
Wyłączenie	Potwierdzenie wyłączenia danego trybu.
Alarm	Alarm uchylonych drzwi.

Tabela stanowi tylko skrócone zestawienie. Szczegółowe informacje podano w odpowiednich rozdziałach. W przypadku niezgodności, nadrzędne są informacje zamieszczone w danym rozdziale.

Akcesoria

Aby zamówić akcesoria, należy skontaktować się z dostawcą, u którego zakupiono chłodziarkę.

Pomoc techniczna i serwis

Przed skontaktowaniem się z działem pomocy technicznej lub serwisu, prosimy zapoznać się z rozdziałem pt. „Rozwiązywanie problemów”. Być może pozwoli to zaoszczędzić kosztu wzywania serwisu. Jeżeli nadal potrzebna jest pomoc, należy postępować zgodnie z poniższymi instrukcjami.

Jeśli potrzebne są części zamienne

Aby ustalić miejsce, gdzie można zakupić określone przez producenta części zamienne, należy skontaktować się z dostawcą, u którego zakupiono chłodziarkę.

Gwarancja

Informacji na temat gwarancji udziela dostawca, u którego zakupiono chłodziarkę.

Niniejszy podręcznik oraz dowód zakupu należy przechowywać razem do korzystania w przyszłości. Uzyskanie obsługi gwarancyjnej wymaga przedstawienia dowodu potwierdzającego datę zakupu lub instalacji.

Poniżej prosimy zapisać informacje dotyczące urządzenia, co ułatwi uzyskanie pomocy technicznej lub serwisu, jeżeli okaże się to niezbędne. Potrzebny będzie pełny numer modelu i numer seryjny. Informacje te można znaleźć na naklejkach numeru seryjnego i modelu, znajdujących się na wewnętrznej ścianie komory chłodziarki.

Nazwa dostawcy _____

Numer seryjny _____

Adres _____

Numer telefonu _____

Numer modelu _____

Data zakupu _____

PIELĘGNACJA CHŁODZIARKI

Czyszczenie

! OSTRZEŻENIE



Zagrozenie wybuchem

Stosować niepalne preparaty czyszczące.

Niezastosowanie się do tego może doprowadzić do śmierci, wybuchu lub pożaru.

Wszystkie sekcje chłodziarki, zamrażarki i mrożenia elastycznego (tylko w WQ9 B1L, 6WM24NIHAS oraz WQ70900SXX) odszraniają się automatycznie. Mimo to, wszystkie sekcje należy czyścić raz w miesiącu, aby uniknąć gromadzenia się zapachów. Rozlane płyny należy wytrzeć niezwłocznie.

Czyszczenie powierzchni zewnętrznych

Należy zapoznać się z informacjami dotyczącymi czyszczenia powierzchni zewnętrznych konkretnego modelu.

Rodzaj 1 – drzwi gładkie

WAŻNE: Uszkodzenia wykończenia gładkiego spowodowane niewłaściwym użyciem środków czyszczących lub użyciem niezalecanych środków czyszczących nie są objęte gwarancją. Ostre lub tępe przyrządy spowodują zmatowienie wykończenia.

UŻYWAĆ	NIE UŻYWAĆ
✓ Miękka, czysta ściereczka	✗ Ostre ściereczki ✗ Ręczniki papierowe lub gazety ✗ Zmywaki druczane
✓ Ciepła woda z dodatkiem delikatnego detergentu	✗ Proszki lub płyny o własnościach ściernych ✗ Aerozole do okien ✗ Amoniak ✗ Środki czyszczące na bazie kwasów lub octu ✗ Środki do czyszczenia piekarników ✗ Ciecze palne

UWAGA: Ręczniki papierowe pozostawiają rysy i mogą matowić przezroczystą powłokę lakierniczą drzwi. Aby uniknąć ewentualnych uszkodzeń, do wycierania i polerowania drzwi należy używać tylko miękkich ściereczek.

Rodzaj 2 – stal nierdzewna

WAŻNE:

- Należy używać tylko ściereczek i preparatów czyszczących zalecanych do stali nierdzewnej. Uszkodzenia wykończenia ze stali nierdzewnej spowodowane niewłaściwym użyciem środków czyszczących lub użyciem niezalecanych środków czyszczących nie są objęte gwarancją.
- Należy unikać narażenia urządzeń ze stali nierdzewnej na działanie czynników żrących i korozyjnych, takich jak środowiska o wysokim zasoleniu i zawilgoceniu. Uszkodzenia powstałe w wyniku narażenia na takie czynniki nie są objęte gwarancją.

UŻYWAĆ	NIE UŻYWAĆ
✓ Miękka, czysta ściereczka	✗ Ostre ściereczki ✗ Ręczniki papierowe lub gazety ✗ Zmywaki druczane
✓ Ciepła woda z dodatkiem delikatnego detergentu	✗ Proszki lub płyny o własnościach ściernych ✗ Amoniak ✗ Środki czyszczące na bazie cytrusów ✗ Środki czyszczące na bazie kwasów lub octu ✗ Środki do czyszczenia piekarników
✓ W przypadku znacznych zabrudzeń, należy używać wyłącznie preparatów czyszczących do stali nierdzewnej, przeznaczonych do tego rodzaju urządzeń. Aby zamówić preparat czyszczący należy skontaktować się z dostawcą, u którego zakupiono chłodziarkę.	✗ Preparat czyszczący do stali nierdzewnej przeznaczony jest wyłącznie do elementów wykonanych ze stali nierdzewnej. Nie dopuszczać do kontaktu preparatu czyszczącego do stali nierdzewnej z jakimkolwiek częściami plastikowymi, takimi jak elementy wykończeniowe, pokrywy dozowników lub uszczelki drzwi.

Rodzaj 3 – stal nierdzewna odporna na odciski palców

WAŻNE:

- Należy unikać narażenia urządzeń ze stali nierdzewnej na działanie czynników żrących i korozyjnych, takich jak środowiska o wysokim zasoleniu i zawilgoceniu. Uszkodzenia powstałe w wyniku narażenia na takie czynniki nie są objęte gwarancją.

UŻYWAĆ	NIE UŻYWAĆ
✓ Miękka, czysta ściereczka	✗ Ostre ściereczki ✗ Ręczniki papierowe lub gazety ✗ Zmywaki druczane
✓ Ciepła woda z dodatkiem delikatnego detergentu	✗ Proszki lub płyny o własnościach ściernych ✗ Aerozole do okien ✗ Amoniak ✗ Środki czyszczące na bazie kwasów lub octu ✗ Środki do czyszczenia piekarników ✗ Ciecze palne

UWAGI:

- Jeżeli dojdzie do niezamierzonego kontaktu, plastikowy element należy oczyścić gąbką i roztworem delikatnego detergentu w ciepłej wodzie. Osuszyć dokładnie miękką ściereczką.
- Preparat czyszczący może mieć właściwości ściernie, mimo że ma postać płynu. Wiele płynnych preparatów czyszczących przeznaczonych do płytek ceramicznych i gładkich powierzchni nadal powoduje uszkodzenie stali nierdzewnej.
- Kwas cytrynowy powoduje trwałe odbarwienia stali nierdzewnej.
- Należy unikać uszkodzenia wykonanych ze stali nierdzewnej powierzchni chłodziarki:

Nie pozostawiać następujących substancji na wykończeniach:

- ✗ Musztarda
- ✗ Sosy na bazie cytrusów
- ✗ Sok pomidorowy
- ✗ Produkty na bazie cytrusów
- ✗ Sos marinara

Czyszczenie powierzchni zewnętrznych

1. Wyjąć wtyczkę chłodziarki z gniazda lub odłączyć zasilanie.
2. Wyjmowane elementy oraz powierzchnie wewnętrzne należy dokładnie umyć ręcznie, opłukać i wysuszyć. Należy użyć czystej gąbki lub miękkiej ściereczki i roztworu delikatnego detergentu w ciepłej wodzie.

UWAGA: Zabrania się używania ściernych i agresywnych preparatów czyszczących, jak np. aerozole do mycia okien, czyścików do szorowania, palnych płynów, wosków do czyszczenia, stężonych detergentów, wybielaczy oraz preparatów czyszczących zawierających produkty ropopochodne do czyszczenia elementów plastikowych, wnętrza oraz okładzin drzwi i uszczelek.

3. Włożyć wtyczkę chłodziarki do gniazda lub włączyć z powrotem zasilanie.

Skraplacza

Chłodziarka posiada skraplacz płaszczowy na obydwu bokach. Boki mogą być ciepłe w dotyku. Jest to normalne.

Oświetlenie

Oświetlenie wewnątrz komory chłodziarki i komory zamrażarki wykonano w technologii LED i nie wymaga ono wymiany. Jeżeli oświetlenie nie włącza się po otwarciu drzwi, należy skontaktować się z dostawcą, u którego zakupiono chłodziarkę.

Urlopy i przeprowadzki

Urlop

W przypadku pozostawienia włączonej chłodziarki pod nieobecność domowników:

1. Zużyć nietrwale produkty i zamrozić pozostałe.
2. Jeżeli chłodziarka jest wyposażona w automatyczną kostkarkę do lodu i jest podłączona do domowej sieci wodociągowej, należy zamknąć dopływ wody do chłodziarki. Niezamknięcie dopływu wody może spowodować szkody materialne.
3. Jeżeli automatyczna kostkarka do lodu występuje, należy ją wyłączyć.
 - Nacisnąć przełącznik drzwiowej kostkarki do lodu, ustawiając go w pozycji wyłączonej (O).
4. Opróżnić pojemnik na lód.

W przypadku decyzji o wyłączeniu urządzenia przed wyjazdem, należy:

UWAGA: Na czas urlopu chłodziarkę należy przestawić w tryb demonstracyjny. Patrz rozdział pt. „Używanie elementów sterujących”.

1. Wyjąć całą żywność z chłodziarki.
2. Jeżeli chłodziarka jest wyposażona w automatyczną kostkarkę do lodu:
 - Wyłączyć zasilanie wodą kostkarki do lodu co najmniej 1 dzień wcześniej.
 - Po wypadnięciu ostatniej porcji lodu, nacisnąć przełącznik i ustawić go w położeniu wyłączonym (O), co spowoduje zgaśnięcie wyświetlacza u góry, wewnątrz chłodziarki, zależnie od modelu.
3. Opróżnić pojemnik na lód.
4. Wyłączyć elementy sterowania temperaturą. Patrz rozdział pt. „Używanie elementów sterujących”.
5. Oczyszczyć chłodziarkę, wytrzeć ją i dobrze osuszyć.
6. Przykleić taśmą klocki gumowe lub drewniane w górnej części obydwu drzwi, aby podeprzeć je w pozycji otwartej na tyle, by umożliwić dostawanie się powietrza do wnętrza. Zapobiega to wzrostowi pleśni i gromadzeniu się zapachów.

Przeprowadzka

W przypadku przenoszenia chłodziarki do nowego domu, należy wykonać poniższe czynności, aby przygotować ją do transportu.

1. Jeżeli chłodziarka jest wyposażona w automatyczną kostkarkę do lodu:
 - Wyłączyć zasilanie wodą kostkarki do lodu co najmniej 1 dzień wcześniej.
 - Odłączyć przewód wodny z tyłu chłodziarki.
 - Po wypadnięciu ostatniej porcji lodu, nacisnąć przełącznik i ustawić go w położeniu wyłączonym (O), na kostkarkę do lodu lub panelu sterującym, zależnie od modelu.
2. Wyjąć całą żywność z chłodziarki i obłożyć całą zamrożoną żywność suchym lodem.
3. Opróżnić pojemnik na lód.
4. Wyjąć wtyczkę chłodziarki z gniazda.
5. Oczyszczyć, wytrzeć i dokładnie osuszyć.
6. Wyjąć wszystkie demontowane elementy, dobrze je owinąć i skleić taśmą ze sobą, aby unieruchomić je na czas transportu.
7. W zależności od modelu, podnieść przód lodówki, aby ułatwić jej toczenie, lub podnieść wkręty poziomujące, aby nie rysowały podłogi. Zapoznać się z rozdziałami pt. „Regulacja drzwi” lub „Poziomowanie chłodziarki i zamykanie drzwi”.
8. Zakleić taśmą drzwi w pozycji zamkniętej i przymocować taśmą kabel zasilający z tyłu chłodziarki.

Po przybyciu do nowego domu, włożyć wszystkie elementy na miejsce i zapoznać się z instrukcjami przygotowania podanymi w rozdziale pt. „Instrukcje instalacji”. Ponadto, jeżeli chłodziarka jest wyposażona w automatyczną kostkarkę do lodu, należy pamiętać o ponownym podłączeniu zasilania wodnego do chłodziarki.

ROZWIĄZYWANIE PROBLEMÓW

W pierwszej kolejności należy wypróbować sugerowane tutaj rozwiązania, aby uniknąć konieczności wzywania serwisu.

⚠ OSTRZEŻENIE



Zagrożenie porażeniem prądem elektrycznym
Wtyczkę należy podłączać do gniazda z uziemieniem.
Zabrania się usuwania usuwać bolca uziemiającego.
Zabrania się używania adapterów.
Zabrania się używania kabli przedłużających.
Nie przestrzeganie tych instrukcji może spowodować śmierć, pożar lub porażenie prądem elektrycznym.

Występująca sytuacja	Możliwe przyczyny	Rozwiązanie
Działanie chłodziarki		
Chłodziarka nie działa.	Sprawdzić zasilanie elektryczne.	Podłączyć wtyczkę kabla zasilającego do uziemionego gniazda. Zabrania się używania kabla przedłużającego. Upewnić się, czy w gnieździe występuje zasilanie. Podłączyć wtyczkę lampki, aby sprawdzić, czy gniazdo działa. Zresetować wyłącznik automatyczny. Wymienić przepalone bezpieczniki. UWAGA: Jeżeli problemy nie przemijają, należy skontaktować się z elektrykiem.
	Sprawdzić elementy sterujące.	Upewnić się, czy elementy sterujące są włączone. Patrz rozdział pt. „Używanie elementów sterujących”.
	Nowa instalacja	Po zainstalowaniu chłodziarki należy odczekać 24 godziny na jej całkowite schłodzenie. UWAGA: Ustawienie nastaw na najniższą możliwą temperaturę nie spowoduje szybszego schłodzenia żadnej z komór.
	Sterowanie chłodziarką znajduje się w trybie demonstracyjnym (w niektórych modelach).	Jeżeli chłodziarka znajduje się w trybie demonstracyjnym, chłodzenie jest wyłączone, a na panelu sterowania wyświetlane jest „Demo”. Więcej informacji zawiera rozdział pt. „Używanie elementów sterujących”.
Wydaje się, że silnik pracuje zbyt długo.	Sprężarka i wentylatory o wysokiej sprawności	Większe chłodziarki o wyższej sprawności pracują dłużej, przy niższych, bardziej ekonomicznych energetycznie prędkościach.
	Temperatura w pomieszczeniu lub na zewnątrz jest bardzo wysoka.	Dłuższa praca chłodziarki jest w takich warunkach zjawiskiem normalnym. Aby zapewnić optymalne działanie chłodziarki, należy ją ustawić w pomieszczeniu o kontrolowanej temperaturze. Patrz rozdział pt. „Wymagania dotyczące lokalizacji”.
	Niedawno włożono dużą ilość ciepłej żywności.	Ciepła żywność powoduje, że chłodziarka pracuje dłużej, do czasu schłodzenia powietrza wewnątrz do żądanej temperatury.
	Drzwi są otwierane zbyt często lub na zbyt długo.	Ciepłe powietrze dostające się do wnętrza chłodziarki powoduje, że pracuje ona dłużej. Rzadziej otwierać drzwi.
	Otwarte drzwi chłodziarki lub szuflada zamrażarki.	Upewnić się, czy chłodziarka jest wypoziomowana. Patrz rozdział pt. „Poziomowanie chłodziarki i zamykanie drzwi”. Uważać, aby żywność ani pojemniki nie blokowały drzwi.
	Sterowanie chłodziarki ustawione na zbyt niską temperaturę.	Ustawić sterowanie chłodziarki na wyższą temperaturę, aż do uzyskania żądanej temperatury w chłodziarce.
	Uszczelka drzwi lub szuflady jest zanieczyszczona, zużyta lub pęknięta.	Oczyszczyć lub wymienić uszczelkę. Nieszczelności na uszczelce drzwi powodują, że chłodziarka pracuje dłużej, aby utrzymać żądane temperatury.

ROZWIĄZYWANIE PROBLEMÓW

W pierwszej kolejności należy wypróbować sugerowane tutaj rozwiązania, aby uniknąć konieczności wzywania serwisu.

Występująca sytuacja	Możliwe przyczyny	Rozwiązanie
Oświetlenie nie działa.	Chłodziarka wyposażona jest w oświetlenie LED, które nie wymaga wymiany.	Jeżeli chłodziarka otrzymuje zasilanie, a oświetlenie nie świeci, gdy drzwi lub szuflada są otwarte, należy skontaktować się z serwisem lub działem wsparcia technicznego.
	Drzwi były otwarte dłużej niż przez 10 minut.	Zamknąć drzwi i szufladę, aby zresetować układ i otworzyć, aby ponownie włączyć oświetlenie.
	Łącznik drzwiowy nie wykrywa otwarcia drzwi.	Nie należy zbliżać magnesów ani urządzeń elektronicznych na odległość mniejszą niż 7,62 cm (3 cale) od pokrywy zawiasu.
Interfejs użytkownika do sterowania temperaturą nie włącza się.	Interfejs użytkownika do sterowania temperaturą przeszedł w tryb uśpienia.	Nacisnąć dowolny przycisk na interfejsie użytkownika, aby uaktywnić sterowanie temperaturą.
	Przyciski interfejsu użytkownika do sterowania temperaturą nie działają dobrze.	Spróbować wyłączyć i włączyć z powrotem chłodziarkę, aby zresetować przyciski. Jeśli problem nadal występuje, skontaktować się z serwisem w celu uzyskania pomocy.
	Interfejs użytkownika do sterowania temperaturą nie otrzymuje zasilania.	Sprawdzić wiązkę przewodów w zawiasie drzwi.
Nie można ustawić temperatury na interfejsie użytkownika.	Drzwi są otwarte i uaktywnił się alarm uchylonych drzwi.	Zamknąć drzwi.
Nietypowy hałas		
Aby posłuchać typowych dźwięków wydawanych przez chłodziarkę, należy przejść do części „Pomoc dla produktu/Często zadawane pytania” na witrynie internetowej danej marki i wyszukać „typowe dźwięki.” Poniżej wymieniono niektóre typowe dźwięki wraz z objaśnieniami.		
Chłodziarka wydaje się hałasować.	Sprężarka w nowej chłodziarce reguluje temperaturę w sposób bardziej efektywny, zużywając jednocześnie mniej energii i pracując cicho.	Ze względu na cichszą pracę, zauważalne mogą być różne dźwięki, które są jednak normalne.
Dźwięk sprężarki pracującej dłużej niż można oczekiwać.	Sprężarka i wentylatory o wysokiej sprawności.	Większe chłodziarki o wyższej sprawności pracują dłużej, przy niższych, bardziej ekonomicznych energetycznie prędkościach.
Pulsacje i warkot	Wentylatory i sprężarka dostosowują się do optymalnego działania w czasie normalnej pracy sprężarki.	Jest to zjawisko normalne.
Strzelanie	Kurczenie i rozszerzanie ścianek wewnętrznych, zwłaszcza podczas początkowego schładzania.	Jest to zjawisko normalne.
Syczenie i kapanie	Przepływ czynnika chłodniczego lub przepływ oleju w sprężarce.	Jest to zjawisko normalne.
Drgania	Chłodziarka może nie być ustawiona stabilnie.	Wyregulować wkręty poziomujące i obniżyć nóżki poziomujące tak, by mocno oparły się o podłogę. Patrz rozdział pt. „Poziomowanie chłodziarki i zamykanie drzwi”.
Skwierczenie	Woda kapie na grzałkę w trakcie cyklu odszraniania.	Jest to zjawisko normalne.
Płynąca woda, bulgotanie	Może być słyszalne, gdy lód topi się w trakcie cyklu odszraniania i woda spływa do tacy ociekowej.	Jest to zjawisko normalne.

ROZWIĄZYWANIE PROBLEMÓW


W pierwszej kolejności należy wypróbować sugerowane tutaj rozwiązania, aby uniknąć konieczności wzywania serwisu.

Występująca sytuacja	Możliwe przyczyny	Rozwiązanie
Temperatura i wilgoć		
Temperatura jest zbyt wysoka.	Chłodziarka została niedawno zainstalowana.	Po zainstalowaniu chłodziarki należy odczekać 24 godziny na jej całkowite schłodzenie.
	Elementy sterujące nie są ustawione odpowiednio do warunków otoczenia.	Ustawić o jeden poziom niższą temperaturę przy użyciu elementów sterujących. Sprawdzić temperaturę po upływie 24 godzin. Patrz rozdział pt. „Używanie elementów sterujących”.
	Drzwi są często otwierane lub nie są całkowicie zamknięte. Pozwala to na przedostawanie się ciepłego powietrza do wnętrza chłodziarki.	Zredukować do minimum otwieranie drzwi i zadbać o całkowite zamykanie drzwi.
	Niedawno włożono dużą porcję żywności.	Zaczekać kilka godzin, aż chłodziarka przywróci normalną temperaturę.
	Włączony jest tryb demonstracyjny.	Wyłączyć tryb demonstracyjny. Patrz rozdział pt. „Używanie elementów sterujących”.
	Włączony jest tryb urlopowy.	Wyłączyć tryb urlopowy. Patrz rozdział pt. „Używanie elementów sterujących”.
Temperatura w chłodziarce lub pojemniku na świeże produkty jest zbyt niska.	Otworki wentylacyjne chłodziarki są zablokowane.	Jeżeli nastąpi zablokowanie znajdującego się w środkowej, tylnej części komory chłodziarki otworu wentylacyjnego przez przedmioty umieszczone bezpośrednio przed nim, nastąpi nadmierny spadek temperatury w chłodziarce. Odsunąć przedmioty od otworu wentylacyjnego.
	Elementy sterujące nie są ustawione odpowiednio do warunków otoczenia.	Ustawić o jeden poziom wyższą temperaturę przy użyciu elementów sterujących. Sprawdzić temperaturę po upływie 24 godzin. Patrz rozdział pt. „Używanie elementów sterujących”.
Temperatura w szufladzie o kontrolowanej temperaturze jest zbyt niska.	Elementy sterujące nie są ustawione odpowiednio do produktów przechowywanych w szufladzie.	Wyregulować nastawę temperatury. Patrz temat. „Używanie elementów sterujących” w rozdziale pt. „Użytkowanie chłodziarki”.
Wewnątrz gromadzi się wilgoć. UWAGA: Gromadzenie się pewnej ilości wilgoci jest normalne.	W pomieszczeniu panuje wysoka wilgotność.	Wysoka wilgotność w środowisku przyczynia się do gromadzenia wilgoci.
	Drzwi są często otwierane lub nie są całkowicie zamknięte. Pozwala to na przedostawanie się wilgotnego powietrza do wnętrza chłodziarki.	Zredukować do minimum otwieranie drzwi i zamykać drzwi całkowicie.
	Drzwi są zablokowane w pozycji otwartej.	Odsunąć opakowania z żywnością od drzwi.
	Przeszkadza półka lub pojemnik.	Ustawić pojemnik lub półkę z powrotem na właściwym miejscu.
	Przechowywanie płynów w otwartych pojemnikach.	Powoduje to uwalnianie dodatkowej wilgoci do wnętrza chłodziarki. Wszystkie pojemniki należy przechowywać szczelnie przykryte.
W komorze zamrażarki gromadzi się szron lub lód.	Drzwi są często otwierane lub pozostawiono je otwarte.	Zredukować do minimum otwieranie drzwi i całkowicie zamykać szufladę po użyciu.
	Uszczelka drzwi nie działa dobrze.	Upewnić się, czy uszczelki drzwi stykają się na całej długości z szafą chłodziarki, zapewniając odpowiednie uszczelnienie.
	Elementy sterowania temperaturą nie są ustawione prawidłowo.	Zalecane ustawienia temperatury podano w rozdziale pt. „Używanie elementów sterujących”.

ROZWIĄZYWANIE PROBLEMÓW

W pierwszej kolejności należy wypróbować sugerowane tutaj rozwiązania, aby uniknąć konieczności wzywania serwisu.

⚠ OSTRZEŻENIE



Zagrożenie wybuchem
Stosować niepalne preparaty czyszczące.
Niezastosowanie się do tego może doprowadzić do śmierci, wybuchu lub pożaru.

Aby wyświetlić animację ukazującą sposób wyrównywania drzwi, należy przejść do części „Pomoc dla produktu/Często zadawane pytania” na witrynie internetowej danej marki i wyszukać „Zamykanie drzwi i wyrównywanie drzwi.”

Występująca sytuacja	Możliwe przyczyny	Rozwiązanie
Drzwi		
Drzwi nie zamykają się całkowicie.	Drzwi są zablokowane w pozycji otwartej.	Odsunąć opakowania z żywnością od drzwi.
	Przeszkadza półka lub pojemnik.	Ustawić pojemnik lub półkę z powrotem na właściwym miejscu.
	Niedawno przeprowadzona instalacja	Usunąć wszelkie materiały użyte do pakowania.
Drzwi otwierają się z trudnością.	Uszczelki drzwi są zanieczyszczone lub przyklejają się.	Oczyścić uszczelki i powierzchnie wchodzące z nimi w kontakt przy użyciu roztworu delikatnego mydła i ciepłej wody. Oplukać i osuszyć miękką ściereczką.
Drzwi wyglądają na nierówne.	Konieczne jest wyrównanie drzwi lub wypoziomowanie chłodziarki.	Jeżeli konieczne jest wyrównanie drzwi, należy wezwać serwis.
Chłodziarka stoi niestabilnie lub toczy się do przodu podczas otwierania i zamykania drzwi.	Nóżki blokujące chłodziarki nie są dociśnięte do podłogi.	Należy obrócić obydwie nóżki blokujące (po jednej z każdej strony) przeciwnie do ruchu wskazówek zegara o taki sam kąt, aż do momentu ich dociśnięcia do podłogi. Patrz rozdział pt. „Poziomowanie chłodziarki i zamykanie drzwi”.

Cuprins

SIGURANȚA FRIGIDERULUI	129
Eliminarea corespunzătoare a frigiderului vechi	132
COMPONENTE ȘI CARACTERISTICI	133
INSTRUCȚIUNI DE INSTALARE	134
Noțiuni de bază.....	134
Despachetarea frigiderului	134
Cerințe privind locația	135
Cerințe electrice	135
Scoaterea și punerea la loc a ușilor de frigider	137
Scoaterea și punerea la loc a ușii congelatorului/copartimentului de congelare flexibilă.....	139
Așezarea uniformă a frigiderului	140
Utilizarea comenzilor	141
Iluminarea frigiderului	142
UTILIZAREA FRIGIDERULUI	143
Deschiderea și închiderea ușilor	143
Păstrarea alimentelor	143
RAFTURI, CUTII ȘI SERTARE	144
Compartimentele de depozitare ale congelatorului	145
Referință audio	145
Accesorii.....	145
Asistență sau service	145
ÎNGRIJIREA FRIGIDERULUI	146
Curățarea.....	146
Luminile	147
Îngrijirea pe perioada vacanțelor și mutărilor	147
DEPANAREA	148

SIGURANȚA FRIGIDERULUI

Siguranța dvs. și a celorlalți este foarte importantă.

Am furnizat multe mesaje de siguranță importante în acest manual și pe aparatul dvs. Citiți și respectați întotdeauna toate mesajele de siguranță.



Acesta este simbolul de alertă privind siguranța.

Acest simbol vă avertizează asupra potențialelor pericole care pot cauza decesul sau rănirea dvs. sau a altora.

Toate mesajele de siguranță vor urma după simbolul de alertă de siguranță și cuvântul „PERICOL” sau „AVERTISMENT.”

Aceste cuvinte înseamnă:

⚠ PERICOL

Puteți să muriți sau să vă răniți grav dacă nu urmați imediat instrucțiunile.

⚠ AVERTISMENT

Puteți să muriți sau să vă răniți grav dacă nu urmați instrucțiunile.

Toate mesajele de siguranță vă vor spune care este pericolul potențial, cum să reduceți șansele de rănire și ce se poate întâmpla dacă instrucțiunile nu sunt respectate.

INSTRUCȚIUNI DE SIGURANȚĂ

Înainte de a utiliza aparatul, citiți aceste instrucțiuni de siguranță. Păstrați-le la îndemână pentru consultarea ulterioară. Aceste instrucțiuni și aparatul oferă avertizări importante legate de siguranță, care trebuie respectate întotdeauna. Producătorul nu își asumă răspunderea pentru nerespectarea acestor instrucțiuni de siguranță, pentru utilizarea necorespunzătoare a aparatului sau pentru setarea incorectă a comenzilor.

⚠ Copiii foarte mici (0-3 ani) trebuie ținuti la distanță de aparat. Copiii mici (3-8 ani) trebuie ținuti la distanță de aparat, cu excepția cazului în care sunt supravegheați continuu. Copiii cu vârsta de 8 ani și peste și persoanele cu capacități fizice, senzoriale sau mentale reduse sau cu lipsă de experiență și cunoștințe pot utiliza acest aparat numai dacă sunt supravegheate sau au primit instrucțiuni privind utilizarea în siguranță și înțeleg pericolele posibile. Copiii nu au voie să se joace cu aparatul. Curățarea și întreținerea nu trebuie efectuate de copii nesupravegheați.

UTILIZAREA PERMISĂ

⚠ ATENȚIE: Aparatul nu trebuie să fie pus în funcțiune cu ajutorul unui dispozitiv de comutare extern, cum ar fi un cronometru sau sistem separat controlat cu telecomandă.

⚠ Acest aparat este destinat a fi uzilzat în aplicații casnice și similare de genul: zone pentru personalul de bucătărie din spații comerciale, birouri și alte medii de lucru; ferme; hoteluri, moteluri, pensiuni și alte medii rezidențiale.

⚠ Acest aparat nu este destinat uzului profesional. Nu utilizați aparatul în aer liber.

⚠ Acest aparat este proiectat pentru a funcționa în locuri unde temperatura ambiantă se încadrează în următoarele limite, în funcție de clasa climatică indicată pe plăcuța cu caracteristici tehnice. Este posibil ca aparatul să nu funcționeze corect dacă este lăsat timp îndelungat la o temperatură în afara domeniului specificat.

T. amb. (°C) a clasei climatice T. amb. (°C)

SN: De la 10 la 32 °C; N: De la 16 la 32 °C

ST: De la 16 la 38 °C; T: De la 16 la 43 °C

⚠ Acest aparat nu conține cloroflorocarburi. Circuitul de răcire conține R600a (HC). Aparatele cu izobutan (R600a): izobutanul este un gaz natural fără efecte asupra mediului înconjurător, dar este inflamabil. Prin urmare, verificați conductele circuitului de răcire să nu fie deteriorate, în special la golirea circuitului de răcire.

⚠ AVERTISMENT: Nu deteriorați conductele circuitului de răcire al aparatului.

⚠ AVERTISMENT: Mențineți orificiile de ventilare, din interiorul aparatului sau din structura încorporată, fără obstacole.

IMPORTANT DE CITIT ȘI RESPECTAT

⚠ AVERTISMENT: Nu folosiți alte mijloace mecanice, electrice sau chimice decât cele recomandate de producător pentru a accelera procesul de dezghețare.

⚠ AVERTISMENT: Nu utilizați și nu introduceți dispozitive electrice în compartimentele aparatului dacă acestea nu sunt de tipul autorizat în mod expres de către producător.

⚠ AVERTISMENT: Dispozitivele pentru producerea gheții și/sau distribuitorii de apă care nu sunt conectate direct la rețeaua de alimentare cu apă trebuie să fie umplute doar cu apă potabilă.

⚠ AVERTISMENT: Dispozitivele automate pentru producerea gheții și/sau distribuitorii de apă trebuie să fie conectate la o rețea de alimentare cu apă ce furnizează în exclusivitate apă potabilă, cu o presiune a apei din rețea cuprinsă între 0,17 și 0,81 Mpa (1,7 și 8,1 bar).

⚠ Nu depozitați în acest aparat substanțe explozive, cum ar fi cutii de aerosoli, cu un agent de propulsie inflamabil.

⚠ Nu înghițiți conținutul (netoxic) al pachetelor de gheață (furnizate la unele modele). Nu mâncați cuburi de gheață sau înghețată pe băț imediat după scoaterea lor din congelator deoarece acestea ar putea provoca arsuri reci.

⚠ La produsele proiectate să utilizeze un filtru de aer în interiorul unui capac ventilator accesibil, filtrul trebuie să fie întotdeauna instalat în poziție atunci când frigiderul funcționează.

⚠ Nu păstrați recipiente de sticlă cu lichide în congelator, deoarece se pot sparge. Nu blocați ventilul (dacă există) cu alimente. După introducerea alimentelor, verificați dacă ușa compartimentelor se închid bine, în special ușa congelatorului.

⚠ Garniturile deteriorate trebuie înlocuite cât mai repede posibil.

⚠ Folosiți compartimentul frigider doar pentru conservarea alimentelor proaspete, iar compartimentul congelator doar pentru conservarea alimentelor înghețate, congelarea alimentelor proaspete și producerea cuburilor de gheață.

⚠ Evitați păstrarea de alimente neambalate în contact direct cu suprafețele interne ale compartimentelor frigiderului sau congelatorului. Aparatele pot avea compartimente speciale (compartimentul pentru alimente proaspete, cutia cu zero grade etc.). Cu excepția cazului în care se specifică în broșura specifică a produsului, acestea pot fi scoase, menținând performanțe echivalente.

INSTALAREA

⚠ Aparatul trebuie deplasat și instalat de două sau mai multe persoane - risc de rănire. Utilizați mănuși de protecție pentru a despacheta și instala - risc de tăieturi.

⚠ Instalarea, inclusiv alimentarea cu apă (dacă există), conexiunile electrice și reparațiile trebuie efectuate de un tehnician calificat. Nu reparați și nu înlocuiți nicio piesă a aparatului, dacă acest lucru nu este indicat în mod expres în manualul de utilizare. Țineți copiii la distanță de locul de instalare.

După despachetarea aparatului, asigurați-vă că acesta nu a fost deteriorat în timpul transportului. În caz de probleme, contactați distribuitorul sau Serviciul de Asistență Tehnică cel mai apropiat. Odată instalate, deșeurile de ambalaje (plastic, bucăți de polistiren etc.) nu trebuie lăsate la îndemâna copiilor - risc de sufocare. Aparatul trebuie să fie deconectat de la rețeaua electrică înainte de a efectua orice operație de instalare - risc de electrocutare. În timpul instalării, aveți grijă ca aparatul să nu deterioreze cablul de alimentare - risc de incendiu sau electrocutare. Activați aparatul numai după terminarea instalării.

⚠ În timpul deplasării aparatului, aveți grijă să nu deteriorați podeaua (de ex. parchetul). Instalați aparatul pe o podea sau pe un suport care să poată susține greutatea sa și într-o încăpere adecvată pentru dimensiunile și utilizarea sa. Asigurați-vă că aparatul nu este aproape de o sursă de căldură și că cele patru picioare sunt stabile și se sprijină pe podea, ajustându-le după cum este necesar și verificați cu o nivelă cu bulă de aer dacă aparatul este așezat perfect uniform. Așteptați cel puțin două ore înainte de a pune în funcțiune aparatul, pentru a lăsa timp circuitului de răcire să devină perfect eficient.

⚠ Pentru a garanta o ventilație adecvată, lăsați un spațiu pe ambele laturi și deasupra aparatului. Distanța între partea din spate a aparatului și peretele din spatele aparatului trebuie să fie de 50 mm, pentru a evita accesul la suprafețele fierbinți. O reducere a acestui spațiu va mări consumul de energie al aparatului.

⚠ **AVERTISMENT:** Pentru a evita orice fel de pericol datorită instabilității, poziționarea sau fixarea aparatului trebuie efectuată în conformitate cu instrucțiunile producătorului. Este interzisă amplasarea frigiderului în așa fel încât furtunul metalic al aragazului, țevile metalice de gaz, conductele de apă sau firele electrice să intre în contact cu peretele din spatele frigiderului (bobina condensatorului).

⚠ Dacă este necesar să înlocuiți ușile, contactați Centrul de asistență tehnică.

AVERTISMENTE ELECTRICE

⚠ Trebuie să fie posibil să deconectați aparatul de la sursa de alimentare prin scoaterea acestuia din priză dacă este accesibilă fișa sau printr-un comutator multipolar instalat în amonte de priză în conformitate cu normele de cablare, iar aparatul trebuie legat la pământ în conformitate cu normele naționale de siguranță electrică.

⚠ Nu utilizați prelungitoare, prize multiple sau adaptoare. După terminarea instalării, componentele electrice nu trebuie să mai fie accesibile pentru utilizator. Nu utilizați aparatul când sunteți uzi sau desculți. Nu utilizați acest aparat dacă are un cablu de alimentare sau o fișă deteriorată, dacă nu funcționează corect sau în caz de defectare sau cădere.

⚠ În cazul în care cablul de alimentare este deteriorat, acesta trebuie înlocuit cu unul identic de către producător, de reprezentantul său de service sau de persoane calificate în mod similar, pentru a evita pericolele - risc de electrocutare.

⚠ **AVERTISMENT:** Atunci când poziționați aparatul, asigurați-vă că nu este blocat sau deteriorat cablul de alimentare.

⚠ **AVERTISMENT:** Nu amplasați mai multe prize portabile sau surse de alimentare portabile în partea din spate a aparatului.

CURĂȚAREA ȘI ÎNTREȚINEREA

⚠ **AVERTISMENT:** Asigurați-vă că aparatul este oprit și deconectat de la sursa de alimentare înainte de a efectua orice operațiune de întreținere; nu folosiți niciodată echipament de curățare cu aburi - pericol de electrocutare.

⚠ Pentru curățarea componentelor din plastic, interiorului și căptușelilor de ușă sau garniturilor, nu utilizați substanțe de curățare abrazive sau aspre, cum ar fi spray-uri de geamuri, detergenți de curățat, lichide inflamabile, ceruri de curățare, detergenți concentrați, înălbitori sau detergenți care conțin produse petroliere. Nu utilizați prosoape de hârtie, bureți de sârmă sau alte unelte de curățare dure.

ARUNCAREA MATERIALELOR DE AMBALARE

Materialul de ambalare este reciclabil 100% și este marcat cu simbolul reciclării ♻.

Diferitele componente ale ambalajului trebuie eliminate în mod responsabil, respectând reglementările autorităților locale privind eliminarea deșeurilor.

ARUNCAREA LA GUNOI A APARATELOR ELECTROCASNICE

Acest aparat este fabricat cu materiale reciclabile sau reutilizabile. Aruncați-l în conformitate cu normele locale referitoare la eliminarea deșeurilor. Pentru informații ulterioare referitoare la eliminarea, valorificarea și reciclarea aparatelor electrocasnice, contactați autoritățile locale, serviciul de eliminare a deșeurilor menajere sau magazinul de unde ați cumpărat aparatul. Acest aparat este marcat în conformitate cu Directiva Europeană 2012/19/UE privind deșeurile echipamentelor electrice și electronice (WEEE - Waste Electrical and Electronic Equipment). Asigurându-vă că acest produs este eliminat în mod corect, contribuiți la prevenirea potențialelor consecințe negative asupra mediului înconjurător și sănătății persoanelor.

Simbolul ♻ de pe produs sau de pe documentele care îl însoțesc indică faptul că acesta nu poate fi aruncat împreună cu deșeurile menajere, ci trebuie predat la punctul de colectare corespunzător, pentru reciclarea aparatelor electrice și electronice.

RECOMANDĂRI PENTRU ECONOMISIREA ENERGIEI

Instalați aparatul într-o încăpere uscată, bine aerisită, la distanță de orice fel de sursă de căldură (de exemplu radiator, aragaz etc.) și într-un loc care nu este expus direct la razele soarelui. Dacă este nevoie, utilizați o placă izolatoare.

Pentru a asigura o ventilație adecvată, respectați instrucțiunile de instalare. Ventilarea insuficientă în partea din spate a aparatului mărește consumul de energie și reduce eficiența la răcire.

Deschiderea frecventă a ușilor poate determina o creștere a consumului de energie. Temperatura din interiorul aparatului și consumul de energie pot fi afectate de temperatura ambiantă, precum și de amplasarea aparatului. Setarea de temperatură trebuie să țină cont de acești factori. Reduceți deschiderea la minim a ușilor.

Atunci când dezghețați alimente congelate, puneți-le în frigider. Temperatura redusă a produselor congelate răcește alimentele din frigider. Lăsați alimentele și băuturile calde să se răcească înainte de a le pune în aparat.

Poziționarea rafturilor în frigider nu are impact asupra utilizării eficiente a energiei. Alimentele trebuie așezate pe rafturi astfel încât să se asigure circulația corespunzătoare a aerului (alimentele nu trebuie să se atingă unele de altele și trebuie menținută distanța dintre alimente și pereții din spate).

Puteți mări capacitatea de depozitare a alimentelor congelate prin scoaterea coșurilor și, dacă există, raftului cu oprirea înghețării.

Nu vă faceți griji cu privire la zgomotele provenite de la compresor, care sunt descrise ca zgomote normale în Ghidul de utilizare rapidă al acestui produs.



Eliminarea corespunzătoare a frigiderului vechi

! AVERTISMENT

Pericol de sufocare

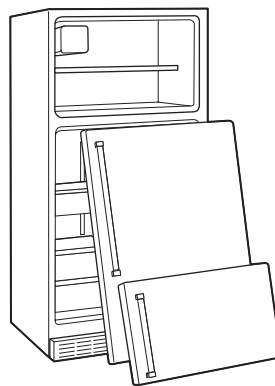
Scoateți ușile de la frigiderul vechi.

Nerespectarea poate duce la deces sau leziuni ale creierului.

IMPORTANT: Trebuie să se evite blocarea și sufocarea copiilor. Frigiderele aruncate sau abandonate sunt încă periculoase, chiar dacă acestea vor sta „numai câteva zile.” Dacă aruncați frigiderul vechi, vă rugăm să urmați aceste instrucțiuni pentru a evita accidentele.

Înainte de a arunca frigiderul sau congelatorul vechi:

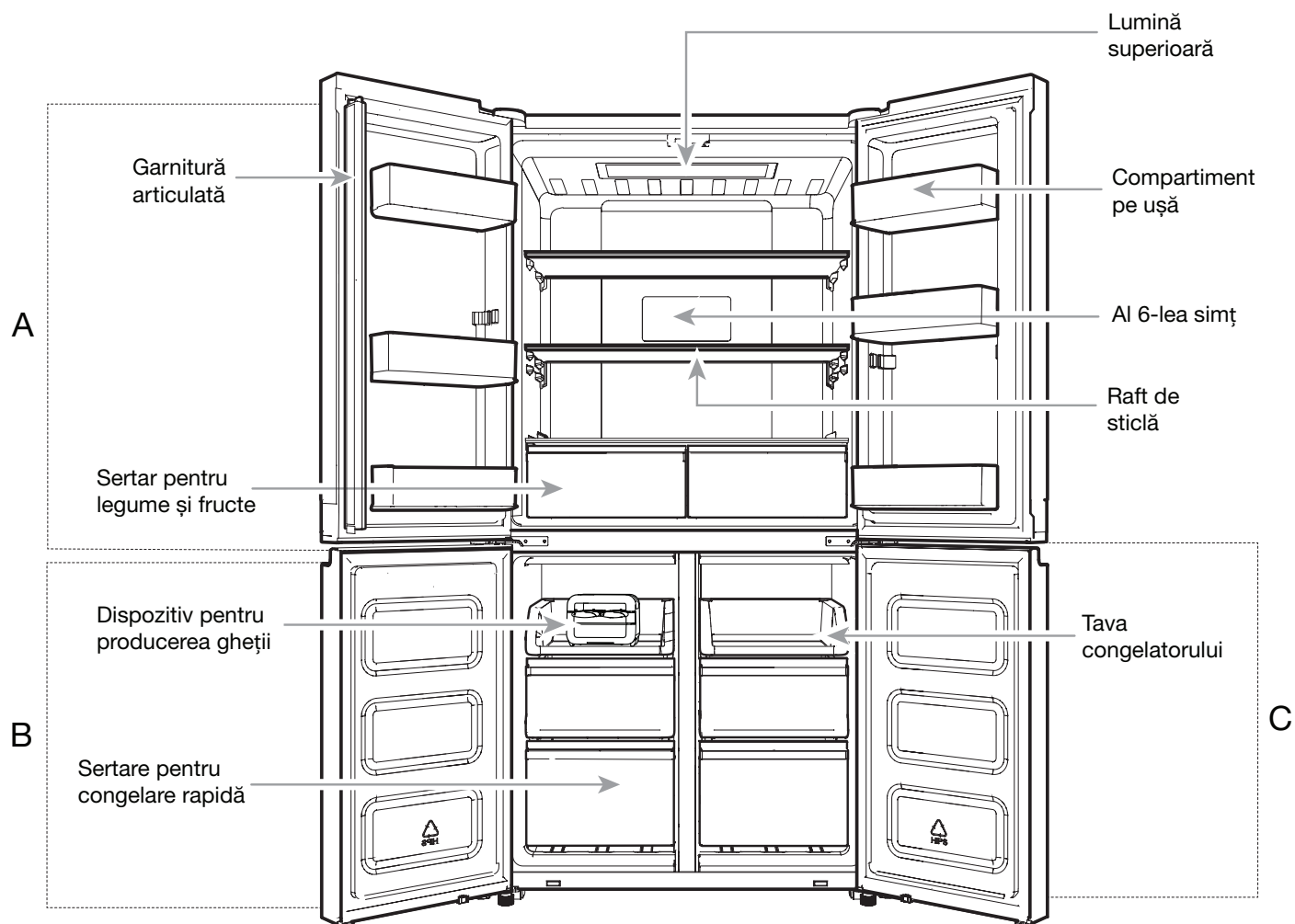
- Scoateți ușile.
- Lăsați rafturile în poziție astfel încât copiii să nu se poată urca ușor înăuntru.



Informații importante pe care trebuie să le cunoașteți despre eliminarea agenților refrigeranți:

Eliminați frigiderul în conformitate cu reglementările naționale și locale. Agenții refrigeranți trebuie evacuați de un tehnician de refrigerare autorizat, în conformitate cu proceduri stabilite.

COMPONENTE ȘI CARACTERISTICI



- A . Frigider
- B . Congelator
- C . Congelare flexibilă (numai la WQ9 B1L, 6WM24NIHAS și WQ70900SXX)

INSTRUCȚIUNI DE INSTALARE

Noțiuni de bază

LISTA DE VERIFICARE LA INSTALARE

✓ Energie electrică

⚠ AVERTISMENT



Pericol de electrocutare

- Conectați la o priză împământată.
- Nu scoateți știftul de împământare.
- Nu utilizați un adaptor.
- Nu utilizați un cablu prelungitor.
- Nerespectarea acestor instrucțiuni poate duce la deces, incendiu sau electrocutare.

- Conectați frigiderul la o priză împământată.

✓ Ușile

- Dacă ușile trebuie scoase pe durata instalării, consultați secțiunile „Scoaterea și punerea la loc a ușilor de frigider” și „Scoaterea și punerea la loc a părților frontale ale ușilor de congelator”.
- Ușile se închid etanș.
- Frigiderul este vertical. Reglați picioarele de nivelare, astfel încât acestea să fie fixate pe podea.
- Ușile sunt uniforme în partea de sus. (Utilizați funcția de aliniere a ușilor, dacă este necesar).

✓ Verificări finale

- Îndepărtați toate materialele de ambalare.
- Setați comenzile de temperatură la valorile recomandate.
- Păstrați instrucțiunile și întreaga documentație.
- Pentru a primi o asistență mai completă, vă rugăm să înregistrați produsul la www.whirlpool.eu/register.

Despachetarea frigiderului

⚠ AVERTISMENT

Pericol datorită greutatei excesive

Este nevoie de două sau mai multe persoane pentru a deplasa și instala frigiderul.

Nerespectarea poate duce la leziuni ale spatelui sau de alt tip.

Livrarea frigiderului

Este nevoie de o deschidere minimă a ușii de 838 mm. Dacă deschiderea ușii este de 914 mm sau mai puțin, atunci este necesară scoaterea ușilor, sertarului și balamalelor.

Introduceți frigiderul din lateral la toate deschiderile de ușă.

Atunci când deplasați frigiderul:

Frigiderul dvs. este greu. Când deplasați frigiderul pentru curățare sau întreținere, aveți grijă să acoperiți podeaua cu carton sau PFL pentru a evita deteriorarea podelei. Trageți întotdeauna frigiderul drept atunci când îl deplasați. Nu răsuciți și nu „pășiți” cu frigiderul atunci când încercați să îl deplasați, pentru că se poate deteriora podeaua.

Îndepărtarea ambalajelor

- Îndepărtați resturile de bandă și adeziv de pe suprafețe înainte de a porni frigiderul. Frecați cu degetele o cantitate mică de detergent lichid pe adeziv. Ștergeți cu apă caldă și uscați.
- Nu utilizați instrumente ascuțite, alcool pentru frecții, lichide inflamabile sau produse de curățare abrazive pentru a îndepărta banda sau adezivul. Aceste produse pot deteriora suprafața frigiderului.
- Eliminați/reciclați toate materialele de ambalare.

Curățarea înainte de utilizare

După ce îndepărtați toate materialele de ambalare, curățați interiorul frigiderului înainte de utilizare. Consultați instrucțiunile de curățare din secțiunea „Îngrijirea frigiderului”.

Informații importante de știut despre rafturi și capace de sticlă:

Nu spălați rafturile sau capacele de sticlă cu apă caldă atunci când acestea sunt reci. Rafturile și capacele se pot sparge dacă sunt expuse la modificări bruște de temperatură sau la impact, cum ar fi lovirea.

Sticla securizată este proiectată să se spargă în multe bucăți mici, de dimensiunea pietrișului. Acest lucru este normal. Rafturile și capacele din sticlă sunt grele. Utilizați ambele mâini atunci când le scoateți pentru a evita căderea.

Cerințe privind locația

⚠️ AVERTISMENT



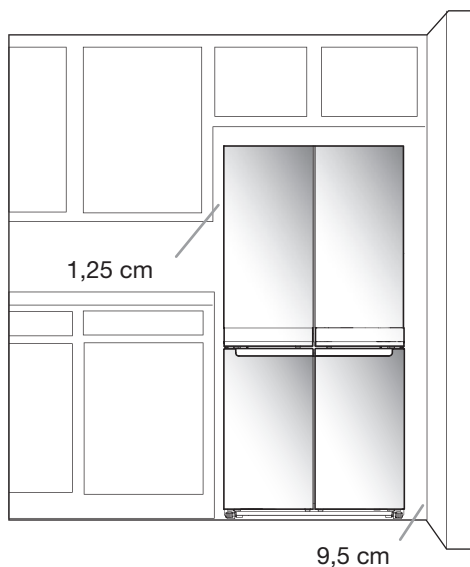
Pericol de explozie

Păstrați materialele și vaporii inflamabili, cum ar fi benzina, departe de frigider.

Nerespectarea poate duce la deces, explozie sau incendiu.

Pentru a asigura ventilarea corespunzătoare a frigiderului, lăsați un spațiu de 1,25 cm pe fiecare parte și în partea de sus. Lăsați o distanță de 5 cm în spatele frigiderului. Dacă frigiderul este prevăzut cu un dispozitiv de produs gheață, lăsați spațiu suplimentar în partea din spate pentru racordurile conductei de apă. Atunci când instalați aparatul lângă un perete fix, lăsați un spațiu minim de 9,5 cm între frigider și perete pentru a permite deschiderea ușii.

NOTĂ: Acest frigider este destinat utilizării într-o locație în care temperatura variază de la minimum 10°C până la maximum 43°C. Domeniul preferat pentru temperatura camerei pentru o performanță optimă, care reduce consumul de energie electrică și asigură o răcire superioară, este între 15°C și 32°C. Se recomandă să nu instalați frigiderul lângă o sursă de căldură, cum ar fi un cuptor sau un radiator.



Cerințe electrice

⚠️ AVERTISMENT



Pericol de electrocutare

Conectați la o priză împământată.

Nu scoateți știftul de împământare.

Nu utilizați un adaptor.

Nu utilizați un cablu prelungitor.

Nerespectarea acestor instrucțiuni poate duce la deces, incendiu sau electrocutare.

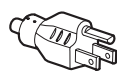
IMPORTANT: Instalarea și conectarea electrică trebuie efectuate de către un tehnician calificat în conformitate cu instrucțiunile producătorului și cu reglementările locale de siguranță.

- Frigiderul este proiectat să funcționeze într-un circuit separat de 220-240 V, 10 A, 50/60 Hz.
- Asigurați-vă că tensiunea indicată pe plăcuța cu caracteristici tehnice corespunde cu cea a locuinței dvs.
- Trebuie să fie posibilă deconectarea aparatului de la sursa de alimentare prin debransarea acestuia sau prin intermediul unui comutator principal cu doi poli, instalat în amonte de priză.
- În cazul în care cablul de alimentare este deteriorat, acesta trebuie înlocuit de către producător, de reprezentantul său de service sau de persoane calificate în mod similar, pentru a evita pericolele.

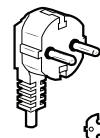
Înainte de a deplasa frigiderul în locația sa finală, este important să vă asigurați că aveți o conexiune electrică corespunzătoare:

Metoda de împământare recomandată

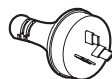
Este necesară numai o sursă de alimentare electrică împământată de 220-240 V 50 Hz, 220 V 60 Hz sau 230/240 V 50 Hz CA și cu siguranță fuzibilă de 10 A.



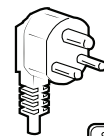
Tipul B



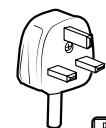
Tipul E și F



Tipul I



Tipul M



Tipul G

Pentru Australia și Noua Zeelandă:

Noul dvs. aparat a fost special fabricat astfel încât să îndeplinească toate condițiile și standardele australiene.

Unele notații din instrucțiunile de instalare pot face referire la cerințe electrice din alte țări, așa încât vă atragem atenția cu privire la aceste note specifice.

Aparatul dvs. trebuie conectat numai la o priză de 230/240 V, 50 Hz CA, 10 A cu împământare.

Cerințe electrice (numai Marea Britanie și Irlanda)

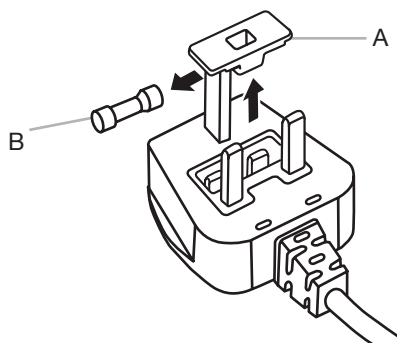
IMPORTANT: Frigiderul trebuie împământat.

Înlocuirea siguranței fuzibile

În cazul în care cablul de alimentare de la rețea al acestui frigider este dotat cu o fișă cu siguranță fuzibilă încorporată BS1363A de 13 A, pentru a schimba siguranța la acest tip de fișă, folosiți o siguranță omologată de A.S.T.A., tip BS 1362, și procedați după cum urmează:

1. Scoateți capacul siguranței fuzibile (A) și siguranța fuzibilă (B).
2. Montați siguranța fuzibilă de 13 A în capacul siguranței.
3. Reintroduceți atât siguranța fuzibilă cât și capacul acesteia în fișă.

IMPORTANT: Capacul siguranței fuzibile trebuie pus la loc atunci când se schimbă o siguranță. În cazul pierderii capacului, fișa nu trebuie utilizată până când nu se montează un capac înlocuitor potrivit. Un înlocuitor potrivit poate fi identificat prin insertul colorat sau un „cuvânt” al culorii gravat la baza fișei. Capace de rezervă pentru siguranțe fuzibile sunt disponibile la magazinul dvs. local de articole electrice.



A. Capac siguranță fuzibilă

B. Siguranță fuzibilă

Pentru Republica Irlanda (numai):

Informațiile furnizate cu privire la Marea Britanie se vor aplica frecvent, dar se utilizează și un al treilea tip de fișă și priză, tipul cu 2 pini și împământare laterală.

Prize de curent/Fișe (valabile pentru ambele țări):

Dacă fișa montată nu este potrivită pentru priza dvs., contactați Serviciul de Asistență Tehnică pentru informații suplimentare. Vă rugăm nu încercați să schimbați dvs. fișa. Această procedură trebuie efectuată de către un tehnician calificat în conformitate cu instrucțiunile producătorului și reglementările de siguranță standard curente.

Temperatura

Acest frigider este proiectat pentru a funcționa în locuri unde temperatura se încadrează în următoarele limite, în funcție de clasa climatică indicată pe plăcuța cu caracteristici tehnice. Este posibil ca frigiderul să nu funcționeze corect dacă este lăsat timp îndelungat la o temperatură în afara domeniului specificat.

NOTĂ: Se recomandă să nu instalați frigiderul lângă o sursă de căldură, cum ar fi un cuptor sau un radiator.

Clasa climatică	T. amb. (°C)	T. amb. (°F)
SN	De la 10 la 32	De la 50 la 90
N	De la 16 la 32	De la 61 la 90
ST	De la 16 la 38	De la 61 la 100
T	De la 16 la 43	De la 61 la 110

Scoaterea și punerea la loc a ușilor de frigider

NOTĂ: Măsurați lățimea deschiderii ușii pentru a vedea dacă trebuie sau nu să scoateți ușile frigiderului pentru a muta frigiderul în locuință. Dacă este necesară scoaterea ușilor, țineți cont de instrucțiunile următoare.

IMPORTANT: Dacă frigiderul a fost instalat anterior și îl scoateți din locuință, opriți comenzile frigiderului înainte de a începe să scoateți ușile. Scoateți frigiderul din priză sau deconectați alimentarea electrică. Scoateți alimentele și ușa reglabilă sau cutiile de ușă.

Pregătiți uneltele necesare și citiți toate instrucțiunile înainte de a scoate ușile.

UNELTE NECESARE: Cheie tubulară de 6 mm, cheie tubulară de 5 mm și șurubelniță cu capul în cruce nr.2.



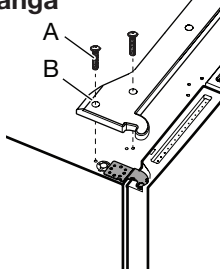
⚠ AVERTISMENT

Pericol de electrocutare

Deconectați alimentarea înainte de a scoate ușile.

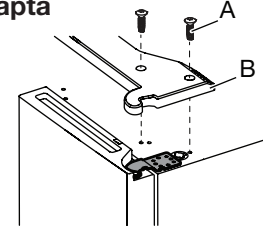
Nerespectarea poate duce la deces sau electrocutare.

Capac balama superioară stânga



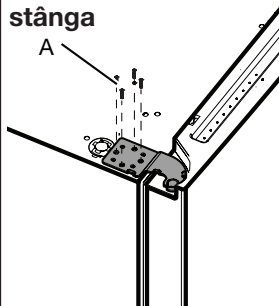
- A. Șuruburi capac balama superioară
- B. Capac balama superioară

Capac balama superioară dreapta



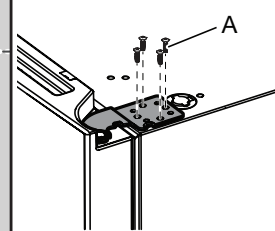
- A. Șuruburi capac balama superioară
- B. Capac balama superioară

Balama superioară stânga



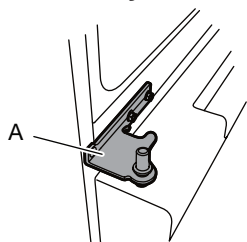
- A. Șuruburi cu locaș hexagonal de 5 mm

Balama superioară dreapta



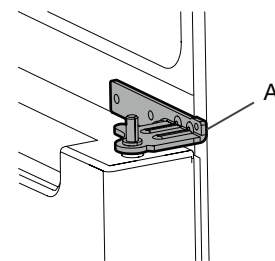
- A. Șuruburi cu locaș hexagonal de 5 mm

Balama mijlocie stânga



- A. Balama

Balama mijlocie dreapta



- A. Balama

⚠️ AVERTISMENT

Pericol datorită greutatei excesive

Ușa frigiderului trebuie ridicată de două sau mai multe persoane.

Nerespectarea poate duce la leziuni ale spatelui sau de alt tip.

Scoaterea ușilor frigiderului

⚠️ AVERTISMENT



Pericol de electrocutare

Deconectați alimentarea înainte de a scoate ușile.

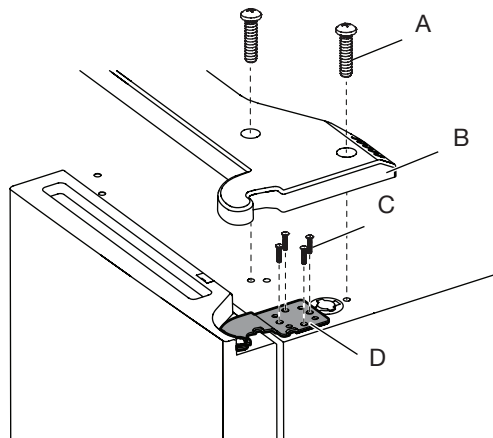
Nerespectarea poate duce la deces sau electrocutare.

Scoaterea ușii din dreapta

1. Scoateți frigiderul din priză sau deconectați alimentarea electrică.
2. Păstrați ușile frigiderului închise până când sunteți gata să le ridicați de la cabinet.

NOTĂ: Asigurați sprijin suplimentar pentru ușa frigiderului în timp ce balamalele sunt înlăturate. Nu vă bazați pe magnetii garniturilor de ușă pentru a ține ușa în poziție în timp ce lucrați.

3. Folosind o șurubelniță cu capul în cruce, scoateți capacul de la balamaua superioară.
4. Folosind o cheie tubulară de 5 mm, scoateți patru șuruburi de la balamaua superioară și puneți-le deoparte.



A. Șurub capac balama superioară

B. Capac balama superioară

C. Șuruburi cu locaș hexagonal de 5 mm

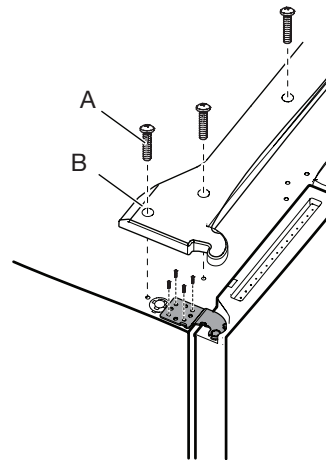
D. Balama superioară

5. Ridicați ușa frigiderului de pe știftul balamalei mijlocii. Balamaua superioară va ieși împreună cu ușa.

Scoaterea ușii din stânga

IMPORTANT: Cablajul pentru interfața cu utilizatorul trece prin blamaua ușii din stânga, de aceea acesta trebuie deconectat înainte de scoaterea ușii.

1. Folosind o șurubelniță cu capul în cruce, scoateți capacul de la balamaua superioară.

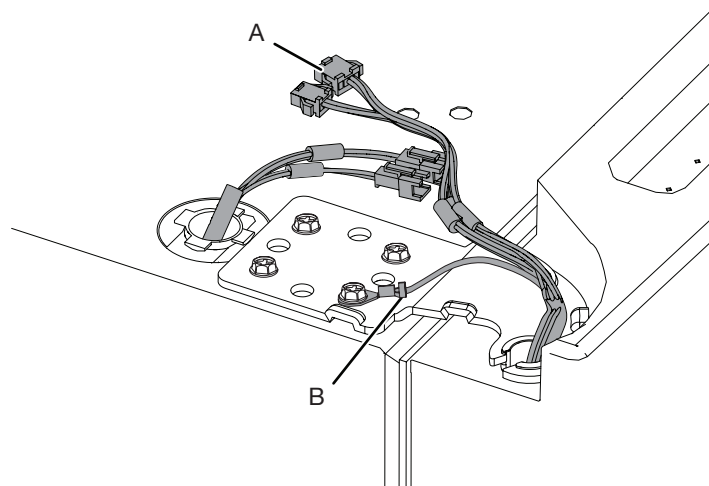


A. Șurub capac balama superioară

B. Capac balama superioară

2. Deconectați două fișe de conectare aflate în partea de sus a balamalei de ușă.

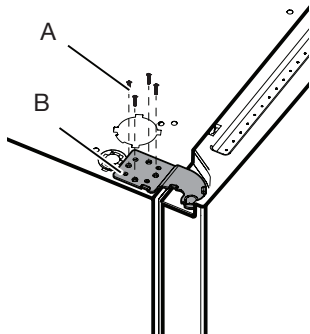
- Apucați fiecare parte a fișelor de conectare. Cu degetul mare stânga, apăsați pentru a elibera dispozitivul de prindere și trageți pentru a separa secțiunile fișelor.



A. Fișă de legătură

B. Conector de împământare

- Folosind o cheie tubulară de 5 mm, scoateți patru șuruburi interne de la balamaua superioară și puneți-le deoparte.



- A. Șuruburi cu locaș hexagonal de 5 mm
B. Balama superioară

NOTĂ: Asigurați sprijin suplimentar pentru ușa frigiderului în timp ce balamalele sunt înlăturate. Nu vă bazați pe magnetii garniturilor de ușă pentru a ține ușa în poziție în timp ce lucrați.

- Ridicați ușa frigiderului de pe știftul balamalei inferioare. Balamaua superioară va ieși împreună cu ușa.

NOTĂ: Este posibil să nu fie necesară scoaterea balamalelor inferioare și ansamblurilor picioarelor de frână pentru a deplasa frigiderul printr-o ușă.

- Numai dacă este necesar, utilizați cheia tubulară de 6 mm și șurubelnița cu capul în cruce nr.2 pentru a scoate balama mijlocie.

Punerea la loc a ușii din dreapta frigiderului

- Așezați ușa din dreapta pe știftul balamalei mijlocii.
- Introduceți știftul balamalei superioare în gaura deschisă din partea superioară a ușii frigiderului.
- Folosind patru șuruburi cu locaș hexagonal de 5 mm, fixați balamaua de cabinet. Nu strângeți complet șuruburile.

Punerea la loc a ușii din stânga frigiderului

- Așezați ușa din stânga pe știftul balamalei mijlocii.
- Folosind patru șuruburi cu locaș hexagonal de 5 mm, fixați balamaua de cabinet. Nu strângeți complet șuruburile.
- Reconectați cablajul electric.
 - Împingeți împreună cele două secțiuni ale fișei de conectare.
 - Reconectați firul de împământare la șurubul balamalei.

Pașii finali

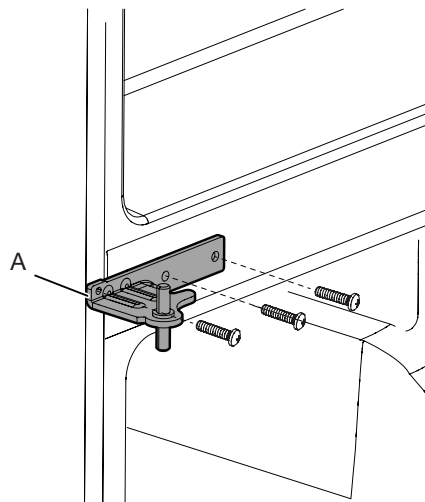
- Strângeți complet opt șuruburi cu locaș hexagonal de 5 mm.
- Puneți la loc capacele balamalei superioare.

Scoaterea și punerea la loc a ușii congelatorului/copartimentului de congelare flexibilă

- Păstrați ușile congelatorului închise până când sunteți gata să le ridicați de la cabinet.

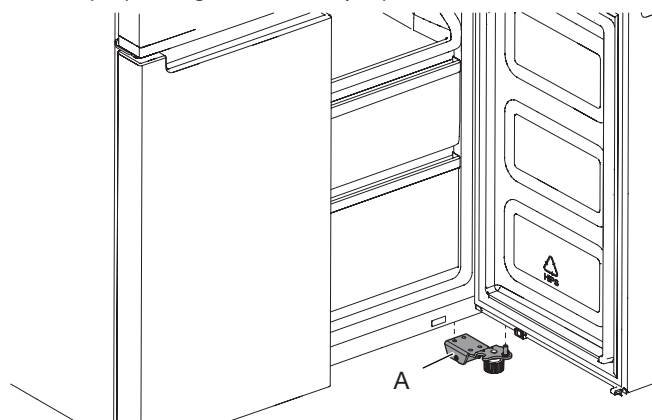
NOTĂ: Asigurați sprijin suplimentar pentru ușa congelatorului în timp ce balamalele sunt înlăturate. Nu vă bazați pe magnetii garniturilor de ușă pentru a ține ușa în poziție în timp ce lucrați.

- Utilizați o șurubelnița cu capul în cruce nr.2 și o cheie tubulară de 6 mm pentru a scoate balamaua mijlocie de la cabinet.



A. Balama mijlocie

- Ridicați ușa congelatorului de pe știftul balamalei inferioare.



A. Balama inferioară

⚠️ AVERTISMENT



Pericol de electrocutare

Conectați la o priză împământată.

Nu scoateți știftul de împământare.

Nu utilizați un adaptor.

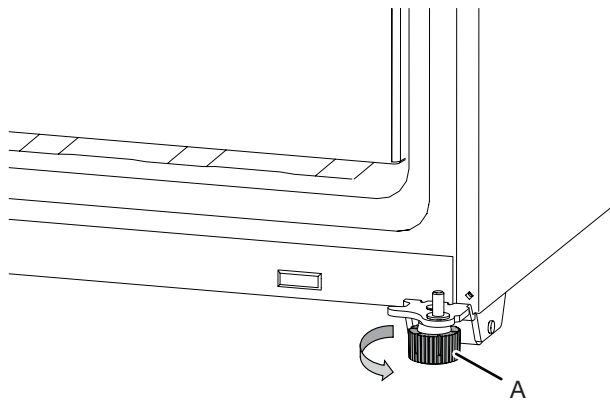
Nu utilizați un cablu prelungitor.

Nerespectarea acestor instrucțiuni poate duce la deces, incendiu sau electrocutare.

1. Conectați la o priză împământată.
2. Puneți la loc toate componentele detașabile și alimentele în sertare.

Așezarea uniformă a frigiderului

1. Deplasați frigiderul în locația sa finală.
2. Cu mâna, rotiți picioarele de frână. Rotiți-le în sens antiorar până când rolele nu mai ating podeaua și ambele picioare de frână sunt fixate pe podea. Acest lucru împiedică frigiderul să se rostogolească înainte atunci când se deschid ușile.



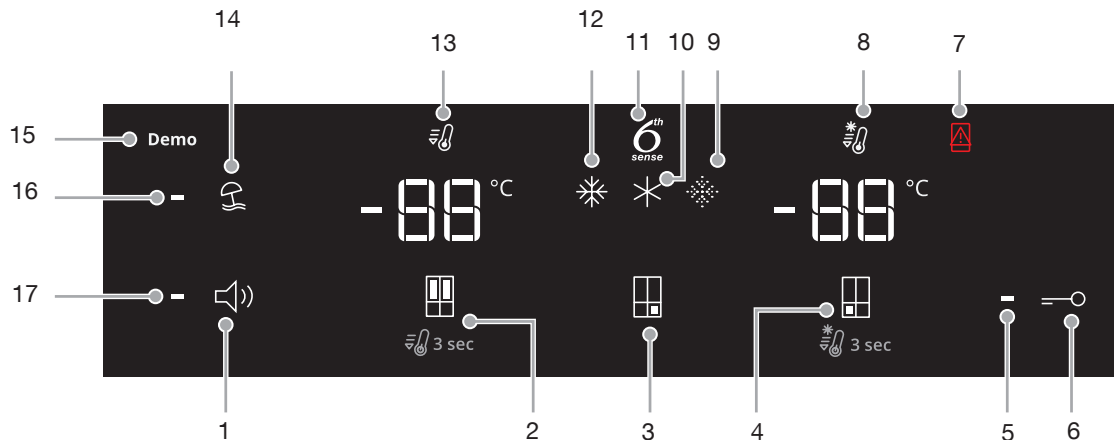
A. Picioare de frână

IMPORTANT: Dacă trebuie să efectuați alte reglaje care implică picioarele de frână, trebuie să rotiți ambele picioare de frână cu aceeași valoare pentru a păstra frigiderul la același nivel.

3. Utilizați o nivelă pentru a vă asigura că frigiderul este așezat uniform pe orizontală stânga-dreapta și față-spate.

Utilizarea comenzilor

Comenzile activate prin atingere se află pe ușa din stânga frigiderului. Panoul de comandă conține informații despre diferite butoane și indicatoare. Indicatoarele pentru temperatura frigiderului și a congelatorului arată ultima valoare setată pentru temperatură.



1. Buton pentru activarea/dezactivarea sunetului
2. Buton pentru temperatura frigiderului (țineți apăsat 3 secunde pentru răcire rapidă)
3. Buton pentru temperatura presetată a congelării flexibile (numai la WQ9 B1L, 6WM24NIHAS și WQ70900SXX)
4. Buton pentru temperatura congelatorului (țineți apăsat 3 secunde pentru congelare rapidă)
5. Indicator blocare taste
6. Buton pentru blocarea tastelor
7. Indicator ușa deschisă
8. Indicator congelare rapidă
9. Indicator congelare ușoară (numai la WQ9 B1L, 6WM24NIHAS și WQ70900SXX)
10. Indicator congelare medie (numai la WQ9 B1L, 6WM24NIHAS și WQ70900SXX)
11. Indicator funcție al 6-lea simț
12. Indicator congelare puternică (numai la WQ9 B1L, 6WM24NIHAS și WQ70900SXX)
13. Indicator răcire rapidă
14. Buton modul Vacanță
15. Indicator modul Demo (numai la WQ9 B1L, 6WM24NIHAS și WQ70900SXX)
16. Indicator modul Vacanță
17. Indicator sunet

Panoul de comandă se va opri automat după un minut de inactivitate. Pentru a activa panoul de comandă, apăsați orice tastă.

- 88 Vizualizarea și reglarea punctelor setate pentru temperatură

Reglarea temperaturii compartimentului frigiderului și congelatorului:

Pentru confortul dvs., comenzile frigiderului și congelatorului sunt presetate în fabrică.

La prima instalare a frigiderului, verificați comenzile dacă sunt reglate la punctele de setare recomandate. Punctele setate recomandate din fabrică sunt 3°C pentru frigider și -18°C pentru congelator.

Apăsarea butonului pentru temperatura frigiderului sau a congelatorului va parcurge setările de temperatură în grade Celsius (°C)

IMPORTANT:

- Așteptați 24 de ore înainte de a pune alimente în frigider. Dacă adăugați alimente înainte ca frigiderul să se răcească complet, acestea se pot strica.
NOTĂ: Reglarea punctelor setate la o valoare mai rece decât cea recomandată nu va răci mai rapid compartimentele.
- Dacă temperatura este prea caldă sau prea rece în frigider sau congelator, mai întâi verificați gurile de aerisire pentru a vă asigura că nu sunt blocate înainte de a regla comenzile.
- Setările recomandate trebuie să fie corecte pentru utilizarea casnică normală. Comenzile sunt setate corect atunci când laptele sau sucul este rece așa cum vă place și înghețata este solidă.
NOTĂ: Zonele cum ar fi un garaj, un subsol sau un pridvor pot avea umiditate mai mare sau temperaturi extreme. Pentru a face față unor asemenea condiții, poate fi necesar să modificați temperatura față de setările recomandate.
- Așteptați cel puțin 24 de ore între reglaje. Verificați din nou temperaturile înainte de a efectua alte reglaje.

Comanda congelării și păstrării prospețimii cu funcția al 6-lea simț

Senzorul pentru păstrarea prospețimii cu funcția al 6-lea simț asigură controlul precis și consistent al temperaturii pentru a păstra alimentele proaspete un timp mai îndelungat, în modul cel mai natural. După detectarea unei variații de temperatură, senzorul activează un compresor care restabilește rapid temperatura inițială.

Senzorul pentru congelarea cu funcția al 6-lea simț minimizează fluctuațiile de temperatură în interiorul congelatorului, datorită unui sistem inovator de gestiune a temperaturii. Arsurile prin congelare se reduc pentru conservarea calității și culorii alimentelor.

Setarea Congelare flexibilă (numai la WQ9 B1L, 6WM24NIHAS și WQ70900SXX)

Funcția de congelare flexibilă vă permite să comutați temperatura presetată pentru compartimentul cu congelare flexibilă.

Simbol	Funcție	Temperatura
☼	Congelare obișnuită	-18°C
✧	Congelare medie	-12°C
☼	Congelare ușoară	-7°C

* Pentru a activa/dezactiva setarea cea mai rece (-20°C), apăsați butonul pentru temperatura presetată a congelării flexibile timp de 3 secunde. Atunci când este activată setarea cea mai rece, toate cele trei pictograme vor fi aprinse.

Reglarea setării de temperatură multiple


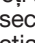
- Congelare obișnuită (-18°C): Alimente deja congelate și alimente proaspete (maximum 12 luni)
- Congelare medie (-12°C): Alimente deja congelate (maxim 1 lună)
- Congelare ușoară (-7°C): Alimente deja congelate (maxim 1 săptămână)
- Atunci când congelatorul flexibil este setat la -18°C sau -20°C, atât temperatura congelatorului flexibil, cât și temperatura frigiderului vor fi răcite până la setarea mai rece, indiferent dacă este vorba despre congelator sau congelatorul flexibil.
- Temperatura compartimentului congelator flexibil poate să nu ajungă la -7°C atunci când temperatura ambiantă este de aproximativ 10°C sau mai rece.

Atunci când reglați punctele setate pentru temperatură, țineți cont de tabelul următor:

SITUAȚIE	SETAREA TEMPERATURII
Frigider prea rece	Setare frigider cu 1° mai mult
Frigider prea cald	Setare frigider cu 1° mai puțin
Congelator prea rece	Setare congelator cu 1° mai mult
Congelator prea cald/prea puțină gheață	Setare congelator cu 1° mai puțin

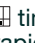
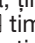
Răcire rapidă

Funcția Răcire rapidă ajută în perioade de utilizare intensivă a frigiderului, încărcare la maxim cu alimente, sau temperaturi temporare mari ale încăperii.

- Pentru a activa funcția Răcire rapidă, țineți apăsat butonul pentru temperatura frigiderului  timp de 3 secunde. Când funcția este activată, simbolul Răcire rapidă va fi aprins. Funcția Răcire rapidă va rămâne activă timp de 2 ore, dacă nu este oprită manual.
- Pentru a dezactiva manual funcția Răcire rapidă, țineți apăsat butonul pentru temperatura frigiderului  timp de 3 secunde. Simbolul Răcire rapidă se va stinge atunci când funcția nu este activată.
- Reglarea temperaturii frigiderului va dezactiva automat funcția Răcire rapidă.

Congelare rapidă

Cantitatea de alimente proaspete (în kg) care poate fi congelată în 24 de ore este specificată pe plăcuța cu datele tehnice ale aparatului.

- Apăsați butonul pentru temperatura congelatorului  timp de 3 secunde (până când indicatorul de congelare rapidă se aprinde), cu 24 de ore înainte de a introduce alimente proaspete în congelator. După ce ați introdus alimentele proaspete în frigider, în general sunt suficiente aproximativ 24 de ore cu funcția Congelare rapidă. După 50 de ore, funcția Congelare rapidă se dezactivează în mod automat.
- Pentru a dezactiva manual funcția Congelare rapidă, țineți apăsat butonul pentru temperatura congelatorului  timp de 3 secunde. Simbolul pentru Congelare rapidă se va stinge.
- Reglarea temperaturii congelatorului va dezactiva automat funcția Congelare rapidă.

Modul Vacanță

Acest mod este proiectat pentru a evita ca aparatul să irosească energia în perioadele în care nu este utilizat în mod regulat (de exemplu, când sunteți în vacanță).

Prin selectarea acestei funcții, temperatura compartimentului frigider va fi setată automat la 12°C.

- Pentru a utiliza modul Vacanță, apăsați butonul pentru mod până când indicatorul modului Vacanță se aprinde pe afișaj.
- Pentru a ieși din modul Vacanță, apăsați butonul pentru mod până când pe afișaj nu se mai aprinde niciun simbol pentru mod.
- Reglarea temperaturii frigiderului va dezactiva automat funcția modului Vacanță.

IMPORTANT: Dacă acest mod este selectat, toate alimentele și băuturile trebuie să fie scoase din compartimentul frigiderului.

Activarea-Dezactivarea sunetului

Apăsați butonul pentru a activa/dezactiva feedback-ul sunetului.

Blocarea tastelor

- Țineți apăsat butonul de blocare timp de 3 secunde pentru a activa funcția de blocare.
- Pentru a dezactiva blocarea, țineți apăsat butonul de blocare timp de 3 secunde.

Funcția de blocare va ignora întreaga interacțiune cu panoul de comandă până când utilizatorul deblochează panoul de comandă. Această caracteristică este menită să evite modificarea neintenționată a setărilor.

Modul Demo (numai la WQ9 B1L, 6WM24NIHAS și WQ70900SXX)


Acest mod este utilizat atunci când frigiderul este expus într-un magazin de vânzare cu amănuntul sau dacă doriți să opriți răcirea și să dezactivați toate celelalte funcții (cu excepția iluminatului interior).

Modul Demo poate fi utilizat la plecarea în vacanță prelungită. Vedeți secțiunea „Îngrijirea pe perioada vacanțelor și mutărilor” pentru pașii necesari în cazul lăsării frigiderului în acest mod perioade lungi de timp.

- Dacă activați modul Demo, simbolul modului Demo se va aprinde pe afișaj.
- Intrați și ieșiți din modul Demo prin ținerea apăsată simultan timp de 3 secunde pe butoanele Sunet activat sau dezactivat și Blocare.

Caracteristici suplimentare

Alarmă ușă deschisă

- Alarma Ușă deschisă sună și simbolul pentru „Ușă deschisă”  clipește atunci când oricare dintre cele patru uși este deschisă timp de 2 minute sau mai mult.
- Alarma se va repeta la fiecare 5 minute. Închideți toate ușile pentru a o opri.

NOTĂ: Pentru a opri alarma sonoră în timp ce mențineți ușile deschise, de exemplu pe durata curățării interiorului frigiderului, atingeți orice buton de pe panoul de comandă. Sunetul de alarmă va fi oprit temporar, dar pe panoul de comandă va fi afișat simbolul Ușă deschisă.

Iluminarea frigiderului

Frigiderul are o lumină interioară care se aprinde de fiecare dată când ușa este deschisă.

NOTĂ: Lumina este de tipul cu LED-uri care nu necesită înlocuire. Dacă LED-urile nu se aprind atunci când ușa se deschide, apăsați la service pentru înlocuire.

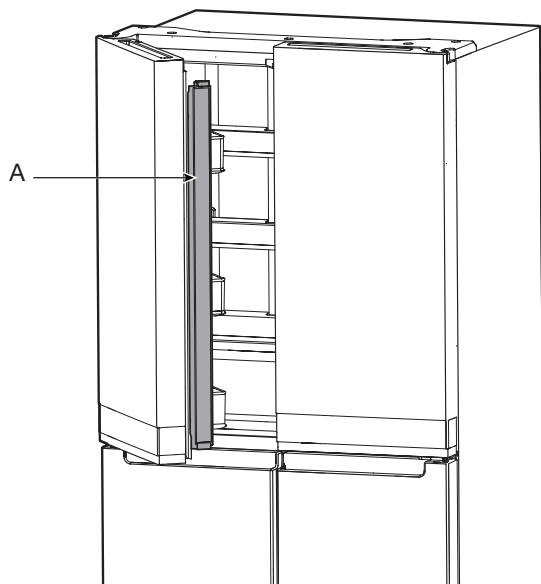
UTILIZAREA FRIGIDERULUI

Deschiderea și închiderea ușilor

Compartimentul frigider are două uși. Ușile pot fi deschise și închise separat sau împreună. Pe ușa din stânga frigiderului există o garnitură verticală articulată.

- Atunci când ușa din stânga este deschisă, garnitura articulată se pliază automat în interior astfel încât să nu stea în cale.
- Atunci când ambele uși sunt închise, garnitura articulată formează automat o etanșare între cele două uși.

NOTĂ: La închiderea ușii, etanșarea articulată trebuie să fie în poziția corectă (îndoită în interior). În caz contrar, aceasta va lovi ușa din dreapta sau axul de fixare.

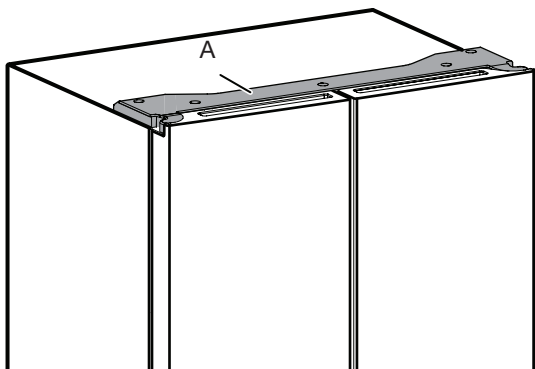


A. Garnitură articulată

Comutatorul ușii compartimentului frigider se află în capacul balamalei din stânga și dreapta sus.

- Pentru congelator și zona cu temperaturi multiple, comutatorul de ușă este amplasat pe separatorul inferior.
- Comutatorul de ușă utilizează un magnet pentru a sesiza deschiderea/închiderea ușii.
- Asigurați-vă că nu există magneți sau dispozitive electronice (difuzor, Coolvox® etc.) pe o rază de 7,62 cm de capacul balamalei.

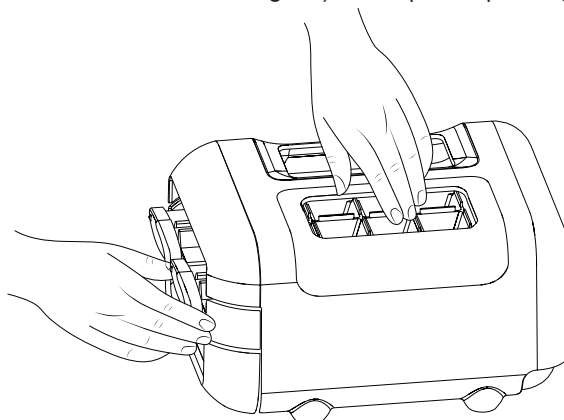
NOTĂ: Lumina nu se va aprinde dacă nu se detectează deschiderea ușii.



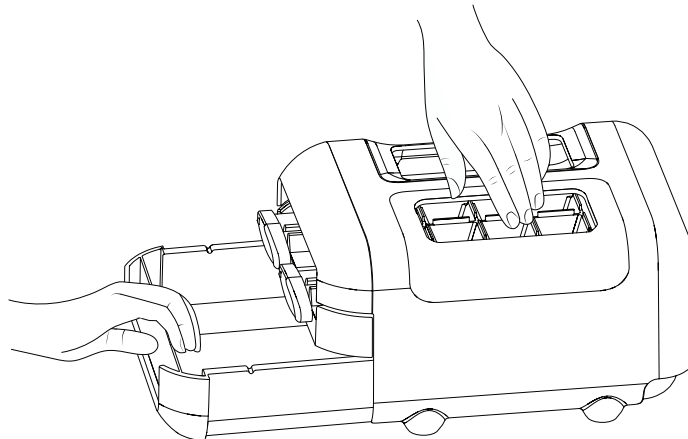
A. Capac balama

Dispozitivul de produs gheață

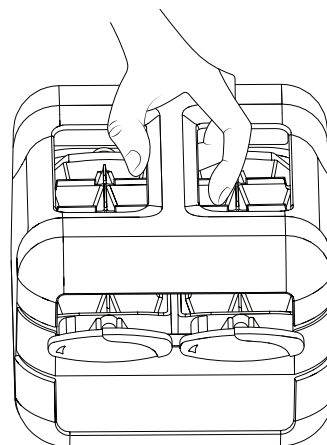
- Pentru a face gheață, umpleți tava pentru gheață cu apă purificată și așezați dispozitivului manual de produs gheață pe raftul superior al congelatorului. Așteptați până se formează gheața și după ce gheața este gata, rotiți butoanele în sens orar pentru a scoate cuburile de gheață în recipientul pentru gheață.



- Ridicați ușor recipientul pentru gheață și scoateți-l afară pentru a avea acces la cuburi de gheață.



Ansamblul dispozitivului manual de produs gheață poate fi scos din congelator atunci când gheața nu este necesară, pentru a face mai mult loc în congelator.



Păstrarea alimentelor

Păstrarea ouălor

Se recomandă păstrarea ouălor la o temperatură consistentă pentru a-și menține prospețimea, astfel încât cel mai bine este să le păstrați în frigider, pe raftul din mijloc.

RAFTURI, CUTII ȘI SERTARE

Informații importante de știut despre rafturi și capace de sticlă:

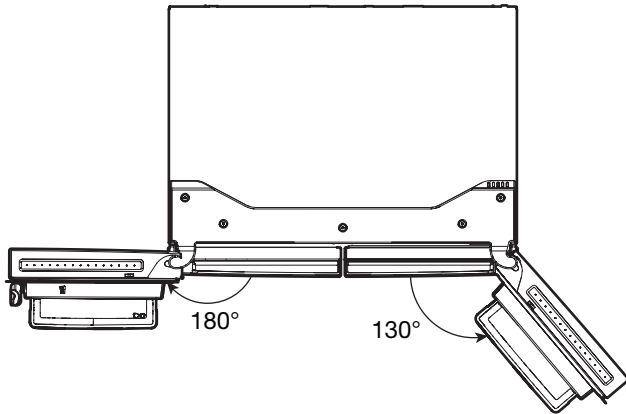
Nu spălați rafturile sau capacele de sticlă cu apă caldă atunci când acestea sunt reci. Rafturile și capacele se pot sparge dacă sunt expuse la modificări bruște de temperatură sau la impact, cum ar fi lovirea.

Sticla securizată este proiectată să se spargă în multe bucăți mici, de dimensiunea pietrișului. Acest lucru este normal. Rafturile și capacele din sticlă sunt grele. Utilizați ambele mâini atunci când le scoateți pentru a evita căderea.

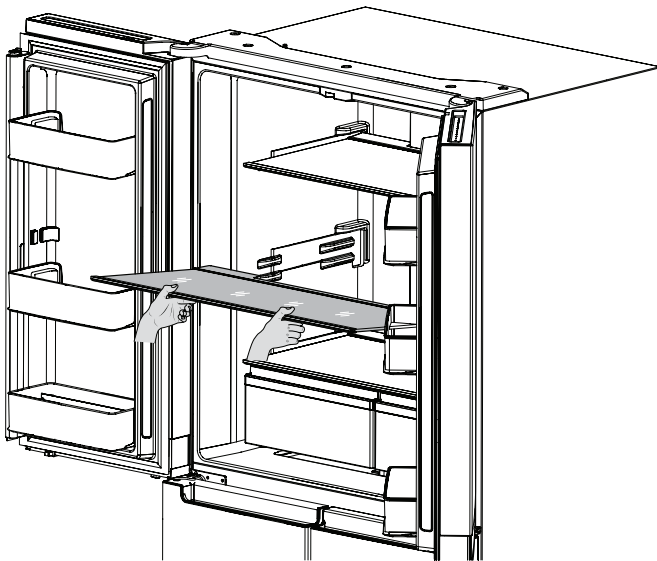
Reglarea pe înălțime a rafturilor

Înălțimea rafturilor poate fi reglată prin schimbarea locației de la suportul inferior la suportul superior și invers

- Deschideți ușa din dreapta la maxim.
- Deschideți ușa din stânga la maxim și apoi ridicați ușa din stânga pentru a o deschide la 180°.



- Scoateți raftul din frigider și puneți-l în poziția dorită de montare.



- Asigurați-vă că raftul este așezat corespunzător pe suporturile rafturilor.

Rafturi și rame de rafturi

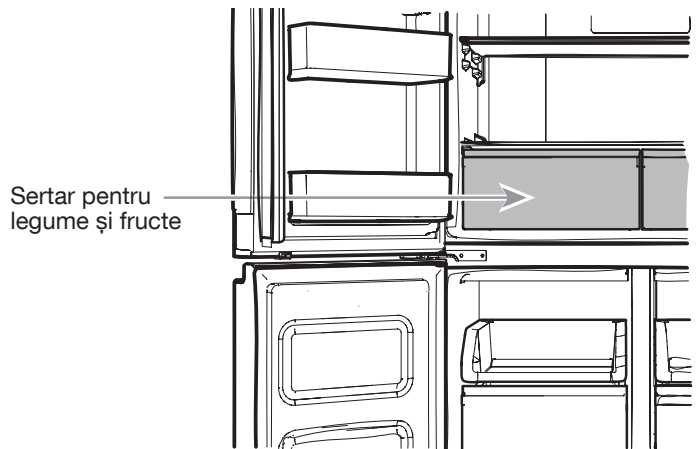
Rafturile frigiderului sunt reglabile pentru a face față cerințelor dvs. individuale de depozitare.

Depozitarea la un loc în frigider a alimentelor similare și reglarea rafturilor pentru a se potrivi diferitelor înălțimi ale articolelor vor ușura găsirea cu precizie a acestora. Va reduce de asemenea perioada de timp cât ușa frigiderului este deschisă și economisește energie.

Pentru a scoate și a pune la loc rafturile:

1. Deschideți ușa din dreapta la maxim și ușa din stânga la maxim și ridicați ușa din stânga pentru a o deschide la 180°.
2. Scoateți raftul mijlociu sau raftul de sus prin tragerea acestuia în sus și afară de pe suporturile de raft. Apoi trageți raftul înainte și înclinați-l în jos într-o poziție verticală. Rotiți raftul la un unghi și trageți-l afară din frigider.
3. Scoateți raftul inferior prin tragerea acestuia în sus și afară de pe suporturile de raft. Apoi trageți raftul înainte și înclinați-l în sus într-o poziție verticală. Rotiți raftul la un unghi și trageți-l afară din frigider.
4. Puneți la loc rafturile din mijloc și de sus prin așezarea acestora în frigider în unghi cu partea din față a raftului în jos. Ridicați partea frontală a raftului și glisați până când partea din spate a raftului cade în suporturile raftului. Coborâți partea din față a raftului și asigurați-vă că raftul se află în poziție.
5. Puneți la loc raftul inferior prin așezarea acestuia în frigider în unghi cu raftul în sus. Ridicați partea frontală a raftului și glisați până când partea din spate a raftului cade în suporturile raftului. Coborâți partea din față a raftului și asigurați-vă că raftul se află în poziție.

Sertare pentru legume și fructe

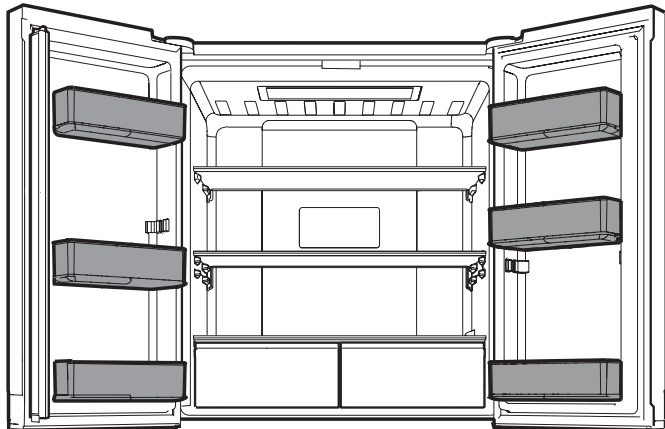


Pentru a scoate și a pune la loc sertarele pentru legume și fructe:

1. Apucați mânerul sertarului pentru legume și fructe și glisați-l până când trece de opritor. Ridicați sertarul pentru legume și fructe de pe ghidajul inferior.
2. Puneți la loc sertarul pentru legume și fructe prin așezarea acestuia pe ghidajul inferior al sertarului pentru legume și fructe și împingerea în poziție până când trece de opritorul sertarului pentru legume și fructe.

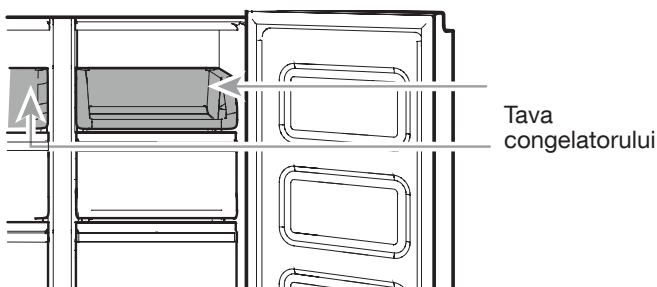
Compartimentele de pe ușa frigiderului

Compartimentele de pe ușa frigiderului sunt reglabile pentru a face față cerințelor dvs. individuale de depozitare.



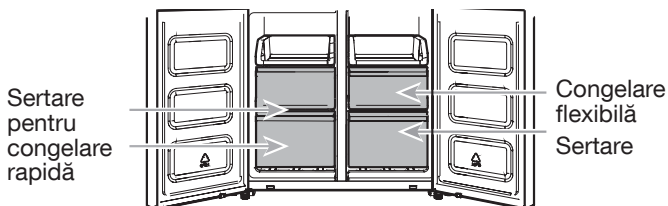
Compartimentele de depozitare ale congelatorului

Tava congelatorului



Tava congelatorului este utilă pentru a accesa cu ușurință produsele utilizate frecvent, pentru a congela sau pentru a stoca mâncarea rămasă sau articole mici.

Sertarele congelatorului



Compartimentul de congelare rapidă

- Sertarele cu congelare rapidă vă permit să stocați în mod convenabil articole cu volum mare.
- Opțiunea Congelare rapidă vă permite să depozitați toate alimentele congelate în siguranță și transparent.

NOTĂ: Temperatura congelatorului poate fi răcită pentru a fi aceeași cu temperatura compartimentului congelator flexibil, atunci când congelatorul este setat la o temperatură mai mare decât a compartimentului congelator flexibil.

Compartimentul pentru congelare flexibilă (numai la WQ9 B1L, 6WM24NIHAS și WQ70900SXX)

Compartimentul pentru congelare flexibilă vă permite să selectați unul din cele trei niveluri ale temperaturii congelatorului: -7°C , -12°C , -18°C și -20°C pentru a asigura cele mai bune condiții de păstrare pentru diferite tipuri de alimente.

Pentru a beneficia de capacitatea maximă a congelatorului, puteți scoate sertarul congelatorului pentru a expune raftul congelatorului.

Pentru a scoate sertarul superior:

1. Apucați mânerul sertarului și glisați sertarul până când trece de opritor. Ridicați sertarul de pe ghidajul inferior.
2. Puneți la loc sertarul prin așezarea acestuia pe ghidajul inferior al sertarului și împingerea în poziție până când trece de opritorul sertarului.

Raftul congelatorului (numai la WQ9 E1L și WQ9 B1L)

Pentru a maximiza capacitatea congelatorului, puteți scoate sertarul mijlociu pentru a expune raftul congelatorului de dedesubt. Puteți apoi păstra sertarul superior și așezați alimente direct pe partea superioară a raftului.

Referință audio

Atribuirea tonurilor

Numele tonului	Exemple de utilizare
Alimentare pornită	Sistemul de răcire este pornit de fiecare dată când aparatul este pornit.
Apăsare tastă	Utilizatorul apasă un buton valid.
Incorect (eroare)	Utilizatorul apasă două sau mai multe butoane în același timp. Întreruperea numărării inverse pentru butoanele cu apăsare și ținere apăsată.
Cuplare	Confirmarea intrării în orice mod.
Decuplare	Confirmarea ieșirii din orice mod.
Alertă	Alertă ușă întredeschisă.

Acest tabel este doar pentru referință rapidă. Consultați secțiunile respective pentru detalii. În caz de inconsecvență, vor prevala detaliile secțiunii.

Accesorii

Pentru a comanda accesorii, contactați distribuitorul de la care ați cumpărat frigiderul.

Asistență sau service

Înainte de a apela la serviciul de asistență sau de service, consultați secțiunea „Depanarea”. Aceasta vă poate economisi costul unui apel la service. Dacă totuși aveți nevoie de ajutor, urmați instrucțiunile de mai jos.

Dacă aveți nevoie de piese de schimb

Pentru a afla unde puteți găsi piese de schimb recomandate de fabrică în zona dvs., contactați distribuitorul de la care ați cumpărat frigiderul.

Garanția

Contactați distribuitorul de la care ați cumpărat frigiderul pentru informații despre garanție.

Păstrați această broșură împreună cu factura de achiziție pentru consultarea viitoare. Trebuie să furnizați dovada achiziției sau a datei de instalare pentru a beneficia de servicii în garanție.

Notați următoarele informații despre aparatul dvs. pentru a vă ajuta să obțineți asistență sau servicii dacă aveți vreodată nevoie. Va trebui să cunoașteți numărul complet al modelului și numărul de serie. Puteți găsi aceste informații pe eticheta cu modelul și numărul de serie, aflată pe peretele interior al compartimentului frigider.

Numele distribuitorului _____

Numărul de serie _____

Adresa _____

Numărul de telefon _____

Numărul modelului _____

Data achiziționării _____

ÎNGRIJIREA FRIGIDERULUI

Curățarea

AVERTISMENT



Pericol de explozie

Utilizați un produs de curățare neinflamabil.

Nerespectarea poate duce la deces, explozie sau incendiu.

Toate compartimentele din frigider, congelator și cele cu congelare flexibilă (numai la WQ9 B1L, 6WM24NIHAS și WQ70900SXX) se dezghează automat. Cu toate acestea, curățați toate secțiunile aproximativ o dată pe lună pentru a evita acumularea de mirosuri. Ștergeți imediat scurgerile.

Curățarea exterioară

Consultați informațiile cu privire la curățarea exterioară specifice modelului dvs.

Stilul 1 – Ușă netedă

IMPORTANT: Deteriorările la finisajul neted datorate utilizării necorespunzătoare a produselor de curățare sau utilizării de produse de curățare nerecomandate nu sunt acoperite de garanție. Instrumentele ascuțite sau contondente vor lăsa urme pe finisaj.

UTILIZAȚI	NU UTILIZAȚI
✓ Cârpe moi, curate	✗ Cârpe abrazive ✗ Prosoape de hârtie sau hârtie de ziar ✗ Bureți de sârmă
✓ Apă caldă cu săpun sau un detergent slab	✗ Pulberi sau lichide abrazive ✗ Spray-uri de ferestre ✗ Amoniac ✗ Produse de curățat pe bază de acid sau oțet ✗ Produse de curățat cuptoare ✗ Lichide inflamabile

NOTĂ: Șervețelele de hârtie zgârie și pot afecta luciul stratului transparent al ușii vopsite. Pentru a evita posibilele deteriorări, utilizați numai cârpe moi și curate pentru a lustrui și șterge ușile.

Stilul 2 – oțel inoxidabil

IMPORTANT:

- Utilizați numai cârpe și produse de curățat oțel inoxidabil recomandate. Deteriorările la finisajul din oțel inoxidabil datorate utilizării necorespunzătoare a produselor de curățare sau utilizării de produse de curățare nerecomandate nu sunt acoperite de garanție.
- Evitați expunerea aparatelor din oțel inoxidabil la elemente caustice sau corozive, cum ar fi medii cu conținut ridicat de sare, umezeală sau umiditate. Deteriorările cauzate de expunerea la aceste elemente nu sunt acoperite de garanție.

UTILIZAȚI	NU UTILIZAȚI
✓ Cârpe moi, curate	✗ Cârpe abrazive ✗ Prosoape de hârtie sau hârtie de ziar ✗ Bureți de sârmă
✓ Apă caldă cu săpun sau un detergent slab	✗ Pulberi sau lichide abrazive ✗ Amoniac ✗ Produse de curățat pe bază de citrice ✗ Produse de curățat pe bază de acid sau oțet ✗ Produse de curățat cuptoare
✓ Pentru murdărie rezistentă, utilizați numai produse de curățat destinate aparatelor din oțel inoxidabil. Pentru a comanda produsul de curățare, contactați distribuitorul de la care ați cumpărat frigiderul.	✗ Produsul de curățare a oțelului inoxidabil este numai pentru componentele din oțel inoxidabil. Nu permiteți ca produsul de curățare și lustruire a oțelului inoxidabil să intre în contact cu nicio componentă din material plastic, cum ar fi ornamentele, capacele dozatorului sau garniturile de ușă.

Stilul 3 – Oțel rezistent la amprente

IMPORTANT:

- Evitați expunerea aparatelor din oțel inoxidabil la elemente caustice sau corozive, cum ar fi medii cu conținut ridicat de sare, umezeală sau umiditate. Deteriorările cauzate de expunerea la aceste elemente nu sunt acoperite de garanție.

UTILIZAȚI	NU UTILIZAȚI
✓ Cârpe moi, curate	✗ Cârpe abrazive ✗ Prosoape de hârtie sau hârtie de ziar ✗ Bureți de sârmă
✓ Apă caldă cu săpun sau un detergent slab	✗ Pulberi sau lichide abrazive ✗ Spray-uri de ferestre ✗ Amoniac ✗ Produse de curățat pe bază de acid sau oțet ✗ Produse de curățat cuptoare ✗ Lichide inflamabile

NOTE:

- În cazul contactului neintenționat, curățați componenta din plastic cu un burete și un detergent slab cu apă caldă. Uscați bine cu o cârpă moale.
- Doar pentru că un produs de curățare este lichid nu înseamnă că este neabraziv. Multe produse de curățare lichide, concepute pentru a fi delicate pe dale și suprafețe netede, afectează totuși oțelul inoxidabil.
- Acidul citric decolorează permanent oțelul inoxidabil.
- Pentru a evita deteriorarea finisajului frigiderului din oțel inoxidabil:

Nu permiteți acestor substanțe să rămână pe finisaj:

- ✗ Muștar
- ✗ Sosuri pe bază de citrice
- ✗ Suc de roșii
- ✗ Produse pe bază de citrice
- ✗ Sos marinara

Curățarea interioară

1. Scoateți frigiderul din priză sau deconectați alimentarea electrică.
2. Spălați manual, clătiți și uscați bine componentele detașabile și suprafețele interioare. Utilizați un burete curat sau o cârpă moale și un detergent slab cu apă caldă.
NOTĂ: Pentru curățarea componentelor din plastic, interiorului și căptușelilor de ușă sau garniturilor, nu utilizați substanțe de curățare abrazive sau aspre, cum ar fi spray-uri de geamuri, detergenți de curățat, lichide inflamabile, ceruri de curățare, detergenți concentrați, înălbitori sau detergenți care conțin produse petroliere.
3. Introduceți în priză sau reconectați alimentarea electrică.

Aparatului frigorific

Acest frigider are aparat frigorific montat pe ambii pereți laterali ai frigiderului. Este normal să se simtă cald pe părțile laterale.

Luminile

Luminile din compartimentele frigider și congelator sunt LED-uri care nu trebuie înlocuite. Dacă luminile nu se aprind atunci când se deschide ușa, contactați distribuitorul de la care ați cumpărat frigiderul.

Îngrijirea pe perioada vacanțelor și mutărilor

Vacanțe

Dacă alegeți să lăsați frigiderul pornit cât timp sunteți plecați:

1. Folosiți produsele perisabile și congelați-le pe celelalte.
2. Dacă frigiderul dvs. are un dispozitiv automat de produs gheață și este conectat la alimentarea cu apă de uz casnic, opriți alimentarea cu apă a frigiderului. Pot apărea deteriorări ale bunurilor dacă alimentarea cu apă nu este oprită.
3. Dacă aveți un dispozitiv automat de produs gheață, opriți-l.
 - Apăsați comutatorul pe poziția Oprit (O) la dispozitivul de produs gheață de pe ușă.
4. Goliți cutia pentru gheață.

Dacă alegeți să opriți frigiderul înainte de a pleca:

NOTĂ: În timp ce sunteți plecați în vacanță, puneți frigiderul în modul Demo. Consultați secțiunea „Utilizarea comenzilor”.

1. Scoateți toate alimentele din frigider.
2. Dacă frigiderul dvs. este echipat cu un dispozitiv de produs gheață:
 - Opriți alimentarea cu apă la dispozitivul de produs gheață cu cel puțin 1 zi înainte.
 - În momentul în care cade ultima încărcătură de gheață, apăsați comutatorul pe poziția Oprit (O) pentru ca afișajul să fie stins în partea superioară din interiorul frigiderului, în funcție de model.
3. Goliți cutia pentru gheață.
4. Dezactivați comenzile de temperatură. Consultați secțiunea „Utilizarea comenzilor”.
5. Curățați frigiderul, ștergeți-l și uscați-l bine.
6. Fixați cu bandă blocuri de cauciuc sau de lemn în partea de sus a ambelor uși pentru a le bloca în poziție suficient de deschise pentru ca aerul să pătrundă înăutru. Acest lucru împiedică formarea de miros și mucegai.

Mutarea

Atunci când mutați frigiderul la o nouă locuință, efectuați pașii următori pentru a-l pregăti pentru mutare.

1. Dacă frigiderul dvs. este echipat cu un dispozitiv de produs gheață:
 - Opriți alimentarea cu apă la dispozitivul de produs gheață cu cel puțin 1 zi înainte.
 - Deconectați conducta de apă din partea din spate a frigiderului.
 - În momentul în care cade ultima încărcătură de gheață, apăsați comutatorul pe poziția Oprit (O) fie de la dispozitivul de produs gheață, fie de la butonul de comandă, în funcție de model.
2. Scoateți toate alimentele din frigider și împachetați toate alimentele congelate în gheață uscată.
3. Goliți cutia pentru gheață.
4. Scoateți din priză frigiderul.
5. Curățați, ștergeți și uscați bine.
6. Scoateți toate piesele detașabile, înfășurați-le bine și lipiți-le împreună cu bandă, astfel încât să nu se miște și să facă zgomot în timpul mișcării.
7. În funcție de model, ridicați partea frontală a frigiderului astfel încât să se rotească mai ușor sau ridicați șuruburile de nivelare astfel încât să nu zgârie podeaua. Consultați secțiunile „Reglarea ușilor” și „Așezarea la nivel a frigiderului și închiderea ușilor”.
8. Înfășurați cu bandă ușile în poziție închisă și înfășurați cu bandă cablul de alimentare în partea din spate a frigiderului.

Atunci când ajungeți la noua locuință, puneți totul la loc și consultați secțiunea Instrucțiuni de instalare pentru operațiile pregătitoare. De asemenea, dacă frigiderul dvs. este echipat cu un dispozitiv automat de produs gheață, nu uitați să reconectați alimentarea cu apă la frigider.

DEPANAREA

Încercați mai întâi soluțiile recomandate aici pentru a evita un eventual apel la service.

⚠️ AVERTISMENT



Pericol de electrocutare

Conectați la o priză împământată.

Nu scoateți știftul de împământare.

Nu utilizați un adaptor.

Nu utilizați un cablu prelungitor.

Nerespectarea acestor instrucțiuni poate duce la deces, incendiu sau electrocutare.

În cazul în care	Cauze posibile	Soluție
Funcționarea frigiderului		
Frigiderul nu funcționează.	Verificați alimentarea electrică.	Introduceți cablul de alimentare într-o priză împământată. Nu utilizați un cablu prelungitor. Asigurați-vă că există curent electric la priză. Introduceți o lampă în priză pentru a vedea dacă priza funcționează. Resetați un întrerupător de circuit declanșat. Înlocuiți toate siguranțele fuzibile arse. NOTĂ: Dacă problemele continuă, luați legătura cu un electrician.
	Verificați comenzile.	Verificați comenzile dacă sunt pornite. Consultați secțiunea „Utilizarea comenzilor”.
	Instalare nouă	Așteptați 24 de ore după instalare pentru ca frigiderul să se răcească de tot. NOTĂ: Reglarea comenzilor de temperatură la cea mai rece setare nu va răci niciun compartiment mai repede.
	Comanda frigiderului este în modul Demo (la unele modele).	Dacă frigiderul se află în modul Demo, răcirea este oprită și pe panoul de comandă se va aprinde cuvântul „Demo”. Consultați secțiunea „Utilizarea comenzilor” pentru mai multe informații.
Motorul pare a funcționa prea mult.	Compresorul și ventilatoarele cu eficiență ridicată	Frigiderele mai mari și mai eficiente funcționează mai mult la viteze mai mici, mai eficiente din punct de vedere energetic.
	Temperatura încăperii sau cea exterioară este mare.	În aceste condiții, este normal ca frigiderul să funcționeze mai mult. Pentru performanțe optime, amplasați frigiderul într-un mediu de interior, cu temperatură controlată. Consultați secțiunea „Cerințe privind locația”.
	A fost adăugată recent o cantitate mare de alimente calde.	Alimentele calde determină funcționarea un timp mai îndelungată a frigiderului până când aerul se răcește la temperatura dorită.
	Ușile sunt deschise prea des sau prea mult timp.	Intrarea de aer cald în frigider cauzează funcționarea mai îndelungată. Deschideți ușa mai rar.
	Ușa frigiderului sau sertarul congelatorului este deschis.	Asigurați-vă că frigiderul este vertical. Consultați secțiunea „Așezarea la nivel a frigiderului și închiderea ușilor”. Nu permiteți ca alimentele și containerele să blocheze ușa.
	Comanda frigiderului este setată la o valoare prea rece.	Reglați comanda frigiderului la o setare mai puțin rece până când temperatura frigiderului este cea dorită.
	Garnitura ușii sau sertarului este murdară, uzată sau fisurată.	Curățați sau înlocuiți garnitura. Scurgeri la etanșarea ușii vor cauza funcționarea mai îndelungată a frigiderului pentru a menține temperaturile dorite.

DEPANAREA

Încercați mai întâi soluțiile recomandate aici pentru a evita un eventual apel la service.

În cazul în care	Cauze posibile	Soluție
Luminile nu funcționează.	Frigiderul este echipat cu iluminat cu LED-uri care nu necesită înlocuire.	Dacă frigiderul este alimentat cu energie electrică și luminile nu se aprind la deschiderea unei uși sau a unui sertar, apălați la service sau asistență.
	Ușile au fost deschise mai mult de 10 minute.	Închideți ușile și sertarul pentru a reseta și deschideți pentru a relua activitatea care presupune iluminatul.
	Comutatorul ușii nu detectează deschiderea ușii.	Asigurați-vă că nu există magneți sau dispozitive electronice pe o rază de 7,62 cm de capacul balamalei.
Interfața cu utilizatorul pentru comenzile de temperatură nu pornește.	Interfața cu utilizatorul pentru comenzile de temperatură a intrat în repaus.	Apăsați orice buton de la interfața cu utilizatorul pentru comenzile de temperatură pentru a o reactiva.
	Butoanele interfeței cu utilizatorul pentru comenzile de temperatură nu funcționează bine.	Încercați pornirea și oprirea alimentării cu energie electrică a frigiderului pentru a reseta butoanele. Dacă problema continuă, apălați la service sau asistență.
	Interfața cu utilizatorul pentru comenzile de temperatură nu primește energie.	Verificați cablajul de la balamaa ușii.
Nu se poate ajusta setarea la interfața cu utilizatorul pentru comenzile de temperatură.	Ușa este deschisă și este activată alarma pentru ușă întredeschisă.	Închideți ușa.
Zgomot neobișnuit		
Pentru a asculta sunetele obișnuite ale frigiderului, accesați secțiunea Ajutor / Întrebări frecvente despre produs de pe site-ul web al mărcii și căutați „sunete normale”. Mai jos sunt enumerate câteva sunete normale împreună cu explicații.		
Frigiderul pare zgomotos.	Compresorul din noul dvs. frigider reglează temperatura mai eficient în timp ce utilizează mai puțină energie și funcționează silențios.	Datorită acestei reduceri a zgomotului de funcționare, este posibil să constatați zgomote nefamiliare, dar care sunt normale.
Sunetul compresorului care funcționează mai mult timp decât se aștepta.	Compresorul și ventilatoarele cu eficiență ridicată.	Frigiderule mai mari și mai eficiente funcționează mai mult la viteze mai mici, mai eficiente din punct de vedere energetic.
Pulsație/Zbârnâit	Reglarea ventilatoarelor/compresoarelor pentru a optimiza performanța pe durata funcționării normale a compresorului.	Acest lucru este normal.
Pocnitură	Contractia/extinderea pereților interiori, în special pe durata răcirii inițiale.	Acest lucru este normal.
Sâsâit/Picurare	Curgerea agentului frigorific sau a uleiului în compresor.	Acest lucru este normal.
Vibrații	Este posibil ca frigiderul să nu fie stabil.	Reglați șuruburile de nivelare și coborâți picioarele de nivelare astfel încât să stea ferm pe podea. Consultați secțiunea „Așezarea la nivel a frigiderului și închiderea ușilor”.
Sfârâit	Apa care picură pe încălzitor în timpul ciclului de dezghețare.	Acest lucru este normal.
Curgere de apă/Gâlgâit	Poate fi auzit atunci când gheața se topește în timpul ciclului de dezghețare și apa intră în tava de scurgere.	Acest lucru este normal.

DEPANAREA

Încercați mai întâi soluțiile recomandate aici pentru a evita un eventual apel la service.

În cazul în care	Cauze posibile	Soluție
Temperatura și umezeala		
Temperatura este prea caldă.	Frigiderul tocmai a fost instalat.	Așteptați 24 de ore după instalare pentru ca frigiderul să se răcească de tot.
	Comenzile nu sunt setate corect pentru condițiile înconjurătoare.	Reglați comenzile la o setare mai rece. Verificați temperatura în 24 de ore. Consultați secțiunea „Utilizarea comenzilor”.
	Ușile sunt deschise des sau nu sunt închise de tot. În acest fel se permite intrarea de aer cald în frigider.	Reduceți la minim deschiderile de ușă și țineți ușile închise de tot.
	O cantitate mare de alimente a fost introdusă de curând.	Așteptați câteva ore pentru ca frigiderul să revină la temperatura normală.
	Modul Demo este activat.	Dezactivați modul Demo. Consultați secțiunea „Utilizarea comenzilor”.
	Modul Vacanță este activat.	Dezactivați modul Vacanță. Consultați secțiunea „Utilizarea comenzilor”.
Temperatura este prea rece în frigider/sertar.	Gurile de aerisire de la frigider sunt blocate.	Dacă gura de aer aflată în mijlocul părții din spate a compartimentului frigider este blocată de articole așezate direct în fața sa, frigiderul va deveni prea rece. Îndepărtați articolele de la gura de aerisire.
	Comenzile nu sunt setate corect pentru condițiile înconjurătoare.	Reglați comenzile la o setare mai caldă. Verificați temperatura în 24 de ore. Consultați secțiunea „Utilizarea comenzilor”.
Temperatura este prea rece în sertarul cu temperatură controlată.	Comanda nu este setată corect pentru articolele păstrate în sertar.	Reglați setarea de temperatură. Consultați „Utilizarea comenzilor” în secțiunea „Utilizarea frigiderului”.
Se acumulează umiditate în interior. NOTĂ: Este normal să se formeze puțină umezeală.	Încăperea este umedă.	Un mediu umed contribuie la formarea de umezeală.
	Ușile sunt deschise des sau nu sunt închise de tot. În acest fel se permite intrarea de aer umed în frigider.	Reduceți la minim deschiderile de ușă și închideți ușile de tot.
	Ușile sunt blocate în poziția deschisă.	Îndepărtați pachetele cu alimente de ușă.
	O cutie sau un raft stă în cale.	Împingeți cutia sau raftul înapoi în poziția corectă.
	Păstrarea lichidelor în recipiente deschise.	Aceasta duce la creșterea umidității în interiorul frigiderului. Păstrați toate recipientele acoperite în mod etanș.
În compartimentul congelator se formează gheață.	Ușa este deschisă des sau este lăsată deschisă.	Reduceți la minim deschiderea ușii și închideți sertarele de tot după utilizare.
	Ușa are o etanșare necorespunzătoare.	Asigurați-vă că garniturile de ușă sunt în contact complet cu cabinetul frigiderului pentru a permite o etanșare adecvată.
	Comenzile pentru temperatură nu sunt setate în mod corect.	Consultați secțiunea „Utilizarea comenzilor” pentru setările recomandate de temperatură.

DEPANAREA

Încercați mai întâi soluțiile recomandate aici pentru a evita un eventual apel la service.

⚠ AVERTISMENT

Pericol de explozie
Utilizați un produs de curățare neinflamabil.
Nerespectarea poate duce la deces, explozie sau incendiu.

Pentru a vedea o animație care arată modul de reglare și aliniere a ușilor, consultați secțiunea Ajutor/Întrebări frecvente despre produse de pe site-ul web al mărcii și căutați „Închiderea ușilor și alinierea ușilor”.

În cazul în care	Cauze posibile	Soluție
Ușile		
Ușile nu se închid de tot.	Ușa este blocată în poziția deschisă.	Îndepărtați pachetele cu alimente de ușă.
	O cutie sau un raft stă în cale.	Împingeți cutia sau raftul înapoi în poziția corectă.
	Instalare recentă	Îndepărtați toate materialele de ambalare.
Ușile se deschid greu.	Garniturile de ușă sunt murdare sau lipicioase.	Curățați garniturile și suprafețele de contact cu săpun și apă caldă. Clățiți și uscați cu o cârpă moale.
Ușile par a fi neuniforme.	Ușile trebuie alinate sau frigiderul trebuie așezat vertical.	Dacă trebuie să aliniați ușa, apelați la service.
Frigiderul este instabil sau se rotește înainte când deschideți și închideți ușile.	Picioarele de frână ale frigiderului nu sunt strânse pe podea.	Rotiți ambele picioare de frână (câte unul pe fiecare parte) în sens antiorar, cu aceeași valoare, până când se fixează pe podea. Consultați secțiunea „Așezarea la nivel a frigiderului și închiderea ușilor”.

İçindekiler

BUZDOLABI GÜVENLİĞİ.....	153
Eski Buzdolabınızın Uygun Şekilde Bertarafı	156
PARÇALAR VE ÖZELLİKLER.....	157
MONTAJ TALİMATLARI.....	158
Başlangıç.....	158
Buzdolabının Ambalajından Çıkartılması	158
Konum Gereklilikleri	159
Elektriksel Gereklilikler	159
Buzdolabı Kapaklarının Çıkarılması ve Değiştirilmesi.....	161
Dondurucu/Flexi Dondurucu Kapısının Sökülmesi ve Takılması..	163
Buzdolabının Düzlük Ayarlaması.....	164
Kumandaların Kullanımı	165
Buzdolabının Aydınlatması.....	166
BUZDOLABI KULLANIMI	167
Kapakların Açılması ve Kapatılması	167
Yiyeceklerin Saklanması	167
RAFLAR, BÖLMELER VE ÇEKMECELER.....	168
Dondurucu Saklama Bölmeleri.....	169
Ses Referansı	169
Aksesuarlar	169
Yardım veya Servis.....	169
BUZDOLABI BAKIMI	170
Temizlik.....	170
Lambalar	171
Tatil ve Taşınma Bakımı.....	171
SORUN GİDERME.....	172

BUZDOLABI GÜVENLİĞİ

Sizin ve başkalarının güvenliği büyük önem taşır.

Bu kılavuzda ve cihazınızda birçok önemli güvenlik mesajları vermiş bulunmaktayız. Tüm güvenlik mesajlarını daima okuyun ve bunlara riayet edin.



Bu, güvenlik uyarısı sembolüdür.

Bu sembol, sizin veya başkalarının yaralanmasına veya ölümüne neden olabilecek potansiyel tehlikelere karşı sizi uyarır.

Güvenlik mesajlarının tümünün başında, güvenlik alarmı sembolü veya "TEHLİKE" ya da "UYARI" kelimesi bulunur.

Bu kelimelerin anlamı:

 **TEHLİKE**

Talimatlara derhal uymamanız halinde ölümünüz veya ciddi bir yaralanmanızla sonuçlanabilir.

 **UYARI**

Talimatlara uymamanız halinde ölümünüz veya ciddi bir yaralanmanızla sonuçlanabilir.

Güvenlik mesajlarının tümü size potansiyel tehlikenin ne olduğunu, yaralanma tehlikesini nasıl azaltabileceğinizi ve talimatlara uyulmaması halinde nelerin meydana gelebileceğini açıklayacaktır.

Cihazı kullanmadan önce, bu güvenlik talimatlarını okuyun. İleride sonra başvurmak için yakın bir yerde bulundurun. Bu talimatlar ve cihazın kendisi, her zaman uyulması gereken önemli güvenlik mesajları içermektedir. Üretici firma, bu güvenlik talimatlarına uyulmamasından, cihazın uygunsuz kullanımından veya kumandaların hatalı ayarlanmasından kaynaklanacak sorunlardan sorumlu tutulamaz.

⚠ Çok küçük yaştaki çocuklar (0-3 yaş) cihazdan uzak tutulmalıdır. Küçük yaştaki çocuklar (3-8 yaş) devamlı gözetim altında değilse ise cihazdan uzak tutulmalıdır. Yaşı 8 veya daha üstü olan çocuklar ve kısıtlı fiziksel, duyuşsal veya zihinsel kapasiteye sahip olan veya yeterli bilgi ve deneyimi olmayan kişiler, bu cihazı sadece gözetim altında olduklarında veya cihazın güvenli bir şekilde kullanımı konusunda bilgilendirildikten ve ilgili tehlikeleri anladıktan sonra kullanılabilir. Çocuklar cihazla oynamamalıdır. Temizlik ve kullanıcının yapacağı bakım işlemleri, gözetim altında olmadıkları sürece çocuklar tarafından yapılmamalıdır.

İZİN VERİLEN KULLANIM

⚠ DİKKAT: Cihaz, zamanlayıcı veya ayrı bir uzaktan kumanda sistemi gibi harici bir araç ile çalıştırılabilecek şekilde tasarlanmamıştır.

⚠ Bu cihaz, evde ve benzer uygulamalarda kullanım için tasarlanmıştır, örneğin: mağazalardaki, ofislerdeki ve diğer çalışma ortamlarındaki personel mutfaklarında; oteller, moteller, pansiyonlar ve diğer konaklama ortamlarında müşteriler tarafından kullanım için.

⚠ Bu cihaz profesyonel kullanım için değildir. Cihazı dış mekanda kullanmayınız.

⚠ Cihaz, anma değerleri plakasında belirtilen iklim sınıfına göre belirli ortam sıcaklığı aralıklarında çalışmak üzere tasarlanmıştır. Cihaz belirtilen değer aralığının dışındaki bir sıcaklıkta uzun süre kalırsa, düzgün bir şekilde çalışmayabilir.

İklim Sınıfı Ortam Sıcaklığı (°C)

SN: 10 ile 32 °C arası; N: 16 ile 32 °C arası

ST: 16 ile 38 °C arası; T: 16 ile 43 °C arası

⚠ Bu cihaz CFC gazları içermez. Soğutma devresi R600a (HC) içerir. İzobütan (R600a) içeren cihazlar: izobütan çevreye zararı olmayan doğal bir gazdır, ancak yanıcıdır. Bu nedenle, özellikle soğutma devresini boşaltırken soğutma devresi borusunun hasarlı olmadığından emin olun.

⚠ UYARI: Cihazın soğutucu devresinin borularına zarar vermeyin.

⚠ UYARI: Cihazın mahfazasında veya gövdesinde bulunan havalandırma deliklerini açık tutun.

⚠ UYARI: Buz çözme sürecini hızlandırmak amacıyla üretici şirket tarafından önerilenlerin dışında mekanik, elektriksel veya kimyasal bir yöntem kullanmayın.

⚠ UYARI: Üretici firma tarafından özel olarak izin verilmiş türde değilse, elektrikli cihazları buzdolabının içine koymayın ve içinde kullanmayın.

⚠ UYARI: Su beslemesine doğrudan bağlanmamış olan buz makineleri ve/veya su pınarları, sadece içme suyu ile doldurulmalıdır.

⚠ UYARI: Otomatik buz makinesi veya su pınarları, sadece içme suyu veren bir su beslemesine bağlanmalıdır, şebeke suyunun basıncı 0,17 ile 0,81 Mpa (1,7 ile 8,1 bar) arasında olmalıdır.

⚠ Bu cihazın içerisinde aerosol kutuları veya tutuşabilir yakıtlar gibi patlayıcı maddeler saklamayın.

⚠ Buz torbalarının içeriklerini (toksik değildir) yutmayın (bazı modellerde). Soğuk yanıklarına neden olabileceğinden, buz küplerini veya buzlu şekerleri dondurucudan çıkardıktan hemen sonra yemeyin.

⚠ Erişilebilir bir fan kapağının içinde bir hava filtresi kullanacak şekilde tasarlanmış ürünler için, buzdolabı çalışırken filtre daima yerinde/takılı olmalıdır.

⚠ Kırılabilir için, içi sıvı dolu cam kapları dondurucu bölmesine koymayın. Fanı (varsa) yiyeceklerle kapatmayın. Yiyecekleri yerleştirdikten sonra, özellikle dondurucu kapağı olmak üzere bölmelerin kapaklarının düzgün şekilde kapandığından emin olun.

⚠ Hasarlı contalaren kısız zamanda değiştirilmelidir.

⚠ Soğutucu bölmesini sadece taze yiyecekleri saklamak için, dondurucu bölmesini ise sadece donmuş yiyeceklerin saklanması, taze yiyeceklerin dondurulması ve buz küplerinin yapılması için kullanın.

⚠ Sarılmamış olan yiyecekleri, soğutucu veya dondurucu bölmesinin iç yüzeylerine direk temas edecek şekilde yerleştirmekten kaçının. Cihazlarda özel bölmeler (Taze Yiyecek Bölmesi, Sıfır Derece Kutusu, vb) olabilir. Bu bölmeler, ürün kitapçığında belirtilmedikçe, eşdeğer performans seviyelerini koruyarak çıkartılabilir.

KURULUM

⚠ Cihaz, iki veya daha fazla kişi ile kaldırılmalı ve monte edilmelidir - yaralanma riski. Ambalajından çıkartırken ve monte ederken koruyucu eldiven kullanın - kesilme riski.

⚠ Su beslemesi (varsa) ve elektrik bağlantıları da dahil kurulum işlemi ve tamir işlemleri, kalifiye bir teknisyen tarafından yapılmalıdır. Kullanıcı kılavuzunda özellikle belirtilmedikçe, cihazın hiçbir parçasını tamir etmeyin veya değiştirmeyin. Çocukları montaj alanından uzak tutun.

Cihazın ambalajını açtıktan sonra, cihazın nakliye sırasında hasar görmemiş olduğundan emin olun. Sorunla karşılaşmanız halinde, satıcınız veya size en yakın yetkili servisle temasa geçin. Kurulum yapıldıktan sonra, ambalaj atıkları (plastik parçalar, köpükler, vs.) çocukların ulaşamayacağı bir yere kaldırılmalıdır - boğulma tehlikesi. Herhangi bir montaj işleminden önce, cihazın fişi elektrik prizinden çekilmelidir - elektrik çarpması riski. Kurulum işlemi esnasında, cihazın elektrik kablosuna hasar vermemesine dikkat edin - yangın veya elektrik çarpması riski. Cihazı sadece kurulum işlemi tamamlandıktan sonra çalıştırın.

⚠ Cihazı hareket ettirirken zemine (parkelere vb.) hasar vermemeye dikkat edin. Cihazı, ağırlığını taşıyacak kadar güçlü bir zemin veya destek üzerine ve ebadına ve kullanım amacına uygun bir yere kurun. Cihazı ısı kaynaklarının yakınına yerleştirmeyin ve dört ayağını gerektiği şekilde ayarlayarak dengeli hale getirin ve zemine basmasını sağlayın ve bir su terazisi kullanarak cihazın düz durumda olduğunu kontrol edin. Soğutucu devresinin tam etkinlik kazanması için, cihazı çalıştırmadan önce en az iki saat bekleyin.

⚠ Yeterli miktarda havalandırma sağlandığından emin olmak için, cihazın her iki tarafında boşluk bırakın. Sıcak yüzeylere erişimi önlemek için, cihazın arkası ile arkasında kalan duvar arasındaki mesafe 50mm olmalıdır. Bu boşluğun daha az olması, ürünün enerji tüketimini artıracaktır.

⚠ UYARI: Dengesizlik nedeniyle olabilecek bir tehlikeden kaçınmak için, cihazın konumlandırılması ve sabitlenmesi üreticinin talimatlarına uygun olarak yapılmalıdır. Buzdolabının, gazlı ocağın metal borusu, metal gaz veya su boruları ya da elektrik kabloları buzdolabının arka paneline (yoğuşturucu devresi) temas edecek şekilde yerleştirilmesi yasaktır.

⚠ Kapıların değiştirilmesi gerekirse, lütfen Teknik Destek Servisi ile temasa geçin.

ELEKTRİKLE İLGİLİ UYARILAR

⚠ Cihazı, eğer fişi erişilebilir durumdaysa fişini prizden çekmek suretiyle veya priz girişine takılı ve kablo tesisatı kurallarına uygun çok kutuplu bir şalter vasıtasıyla güç kaynağından bağlantısını kesmek mümkün olmalıdır ve cihaz ulusal elektrik güvenlik standartlarına uygun olarak topraklanmalıdır.

⚠ Uzatma kabloları, çoklu prizler veya adaptörler kullanmayın. Montaj işleminden sonra elektrikli aksamlar kullanıcı tarafından erişilebilir olmamalıdır. Vücudunuz ıslak veya ayağınız çıplak haldeyken cihazı kullanmayın. Eğer elektrik kablosu veya fiş hasarlıysa, cihaz gerektiği gibi çalışmıyorsa veya hasar görmüş veya yere düşürülmüşse, bu cihazı çalıştırmayın.

⚠ Eğer elektrik kablosu hasarlı ise, tehlikeden kaçınmak amacıyla imalatçı, yetkili servis veya benzer kalifiye kişiler tarafından eşdeğer bir yenisi ile değiştirilmelidir - elektrik çarpması riski.

⚠ UYARI: Cihazı konumlandırırken, elektrik kablosunun sıkışmadığından veya hasar görmediğinden emin olun.

⚠ UYARI: Cihazın arka kısmına çoklu priz uzatması veya güç kaynakları yerleştirmeyin.

TEMİZLİK VE BAKIM

⚠ UYARI: Herhangi bir bakım işlemi yapmadan önce, cihazın kapatılmış olduğundan ve fişinin prizden çekilmiş olduğundan emin olun; buharlı temizleme aygıtları asla kullanmayın - elektrik çarpması riski.

⚠ Plastik parçaları, iç ve kapak kaplamalarını veya contaları temizlemek için cam spreylere, ovarak temizleme maddeleri, yanıcı sıvılar, temizlik cilaları, konsantre deterjanlar, ağartıcılar ya da petrol ürünleri içeren temizleyiciler gibi aşındırıcı veya sert temizleyiciler kullanmayın. Kağıt havlu, ovalama pedleri veya diğer sert temizleme malzemeleri kullanmayın.

AMBALAJ MALZEMELERİNİN BERTARAFI

Ambalaj malzemesi %100 dönüştürülebilir ve geri dönüştürme simgesi ♻ ile işaretlenmiştir.

Bu nedenle, ambalajın çeşitli parçaları, çöplerin imhasına yönelik yerel yönetmeliklere tümüyle uygun ve sorumlu bir şekilde atılmalıdır.

ELEKTRİKLİ EV ALETLERİNİN BERTARAFI

Bu cihaz geri dönüştürülebilir veya yeniden kullanılabilir malzemelerle üretilmiştir. Yerel atık imha yönetmeliklerine uygun olarak çöpe atılmalıdır. Elektrikli ev eşyalarının muameleleri, geri kazanımı ve geri dönüşümüyle ilgili ayrıntılı bilgi için, ilgili yerel makamlarınızla, ev atıklarını toplama hizmetleriyle veya cihazı satın aldığınız satıcı ile temasa geçin. Bu cihaz, Atık Elektrik ve Elektronik Cihazlar (WEEE) ile ilgili 2012/19/EU Avrupa Yönergesine uygun olarak işaretlenmiştir. Bu cihazın doğru şekilde imha edilmesine yardımcı olmakla, çevre ve insan sağlığı üzerindeki potansiyel olumsuz sonuçların önlenmesine yardımcı olabilirsiniz.

Cihaz veya dokümanlar üzerindeki ♻ simgesi, bu ürünün ayrıştırılmamış belediye çöpü olarak atılmaması, WEEE'ye uygun işlenmek üzere özel bir toplama noktasına götürülmesi gerektiğini belirtir.

ENERJİ TASARRUFU İLE İLGİLİ İPUÇLARI

Cihazı kuru, iyi havalandırılan bir odaya ve her hangi bir ısı kaynağından (örn. kalorifer peteği, ocak, vs.) uzağa ve doğrudan güneş ışığı almayan bir yere yerleştirin. Gerekirse, bir kalıtım plakası kullanın.

Uygun havalandırma sağlamak için, montaj talimatlarına riayet edin. Ürünün arka tarafında havalandırmanın yetersiz olması enerji tüketimini artırır ve soğutma verimini düşürür.

Kapının sıkıcaılması, Enerji Tüketimini artırabilir. Cihazın iç sıcaklığı ve Enerji Tüketimi, ortam sıcaklığından ve cihazın konumundan da etkilenebilir. Sıcaklık ayarı yaparken bu faktörler göz önünde bulundurulmalıdır.

Kapı açma sıklığını minimuma düşürün.

Donmuş yiyeceklerin buzunu çözerken, buzdolabına koyun. Donmuş ürünlerin düşük ısı, buzdolabındaki yiyecekleri soğutur. Sıcak yiyecekleri ve içecekleri cihaza koymadan önce soğumalarını bekleyin.

Rafaların buzdolabına yerleştirilmesinin enerjinin etkin kullanımı üzerinde bir etkisi yoktur. Yiyecekler, uygun hava devridaimi sağlanacak şekilde raflara yerleştirilmelidir (yiyecekler birbirine temas etmemelidir ve yiyeceklerle cihazın arka paneli arasında belirli bir mesafe boşluk bırakılmalıdır).

Sepetleri ve eğer varsa Stop Frost (Donmuş Yiyecek) rafını çıkartarak donmuş yiyecekleri depolama kapasitesini artırabilirsiniz.

Bu ürünün Hızlı Kılavuzunda normal gürültü olarak tanımlanan kompresör gürültüleri konusunda endişelenmeyin.



Eski Buzdolabınızın Uygun Şekilde Bertarafı

! UYARI

Boğulma Tehlikesi

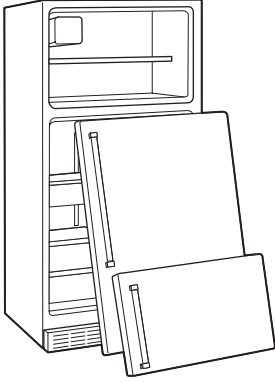
Eski buzdolabınızın kapaklarını çıkartın.

Aksi halde, ölüm veya beyin hasarı ile sonuçlanabilir.

ÖNEMLİ: Çocukların buzdolabında kilitli kalması ve boğulması geçmişte kalan bir sorun değildir. Atılmış veya hurdaya çıkarılmış buzdolapları, “sadece birkaç günlüğüne” bile olsa halen tehlike arz etmektedir. Eğer eski buzdolabınızı elden çıkartıyorsanız, kazaları önlemek için lütfen aşağıdaki talimatlara uyunuz.

Eski Buzdolabınızı veya Dondurucunuzu Atmadan Önce:

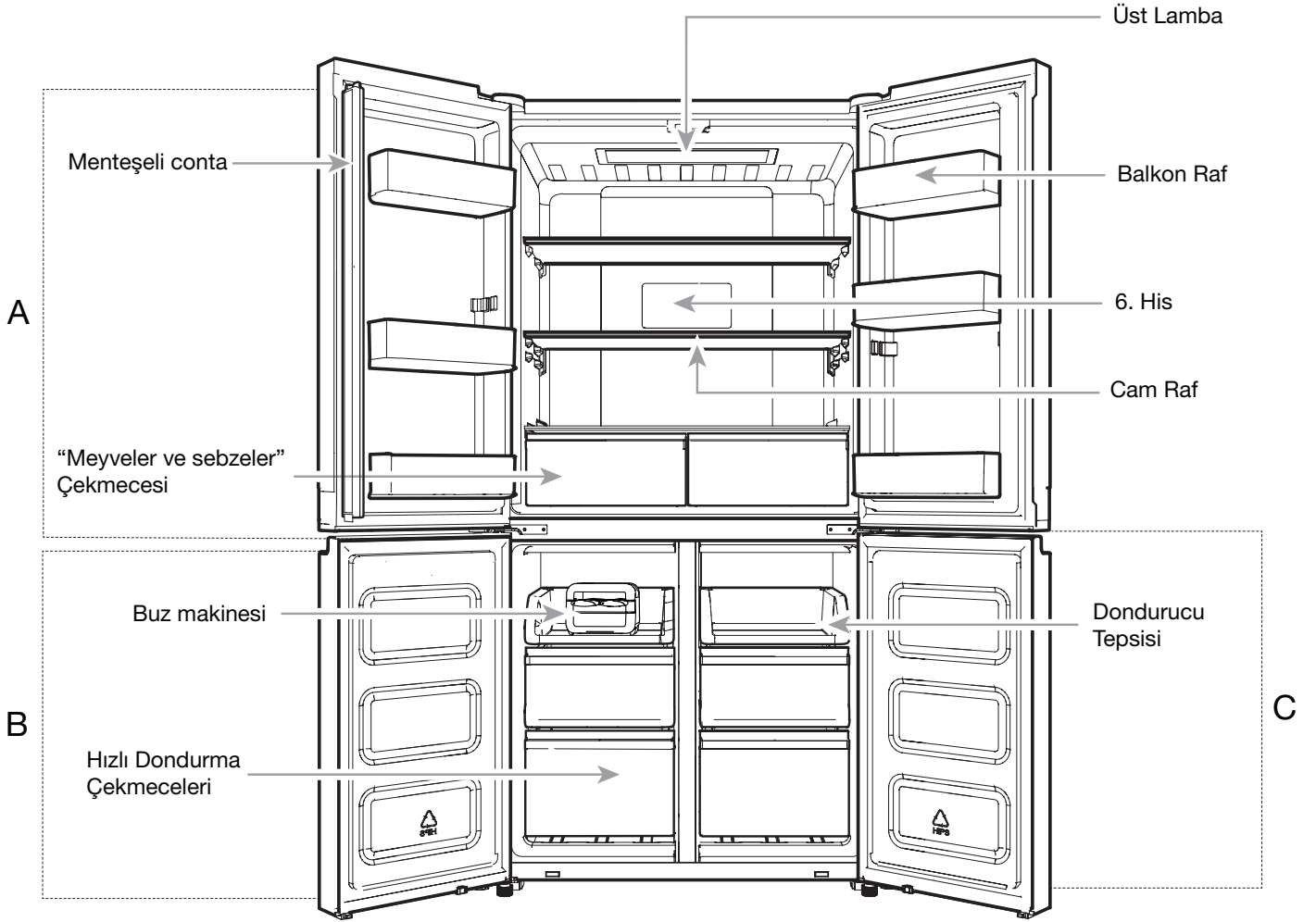
- Kapılarını çıkartın.
- Çocukların, içine kolayca girmelerini önlemek için buzdolabı raflarını yerinde bırakın.



Soğutucu maddelerin imhası hakkında bilmeniz gereken önemli bilgiler:

Buzdolabını Federal ve Yerel kanunlara uygun olarak imha/bertaraf edin. Soğutucu maddeler, lisanslı bir soğutucu teknisyeni tarafından, belirlenmiş prosedürlere uygun olarak tahliye edilmelidir.

PARÇALAR VE ÖZELLİKLER



- A . Soğutucu
- B . Dondurucu
- C . Flexi Dondurucu (sadece WQ9 B1L, 6WM24NIHAS ve WQ70900SXX modellerinde)

MONTAJ TALİMATLARI

Başlangıç MONTAJ KONTROL LİSTESİ

✓ Elektrik Gücü

⚠ UYARI



Elektrik Çarpması Tehlikesi

Topraklaması olan (topraklı) bir prize takın.

Toprak hattını çıkartmayın.

Bir adaptör kullanmayın.

Bir uzatma kablosu kullanmayın.

Bu talimatlara uyulmaması, ölüm, yangın veya elektrik çarpması ile sonuçlanabilir.

- Buzdolabının fişini topraklı bir prize takın.

✓ Kapılar

- Montaj esnasında kapıların çıkartılması gerekirse, "Buzdolabı Kapılarının Çıkartılması ve Değiştirilmesi" ve "Dondurucu Kapı Önlerinin Çıkartılması ve Değiştirilmesi" bölümlerine bakın.

- Kapılar tam kapanıyor.

- Buzdolabı düz. Düzleme ayaklarını, zemine tam basacak şekilde ayarlayın.

- Kapıların üst kısımları eşit seviyede. (Gerekirse kapı hizalama özelliğini kullanın).

✓ Son Kontroller

- Tüm nakliye malzemelerini çıkartın.
- Sıcaklık kumandalarını önerilen değerlere ayarlayın.
- Talimatları ve diğer kitapçıkları saklayın.
- Daha iyi ve eksiksiz bir yardım almak için, lütfen ürününüzü kaydedin: www.whirlpool.eu/register.

Buzdolabının Ambalajından Çıkartılması

⚠ UYARI

Aşırı Ağırlık Tehlikesi

Buzdolabını taşımak ve monte etmek için iki veya daha fazla kişi kullanın.

Aksi halde beliniz veya başka bir yeriniz sakatlanabilir.

Buzdolabı Teslimatı

En az 838 mm'lik (33") bir kapı açıklığı gereklidir. Eğer kapı açıklığı 914 mm (36") veya daha az ise, kapıların, çekmecenin ve menteşelerin çıkartılması gerekir.

Buzdolabını tüm kapı açıklıkları için buzdolabını yan kısımdan taşıyın.

Buzdolabınızı Taşırken:

Buzdolabınız ağırdır. Temizlik veya servis için buzdolabını taşırken, zeminin zarar görmemesi için zemine karton veya elyaf levhası koyun. Buzdolabını taşırken daima düz bir şekilde çekin. Buzdolabını taşımaya çalışırken buzdolabını değişik hareketlerle oynatmayın veya "yürütmeyin", aksi halde zemin zarar görebilir.

Ambalajdan Çıkartma

- Buzdolabını çalıştırmadan önce, yüzeylerindeki bant ve tutkal kalıntılarını temizleyin. Az miktarda sıvı bulaşık deterjanını parmaklarınızla yapışkanlı yüzeye uygulayarak ovun. Ilık su ile silin ve kurulayın.
- Bant veya tutkal kalıntılarını temizlemek için keskin aletler, temizleme alkolü, yanıcı sıvılar veya aşındırıcı temizleyiciler kullanmayın. Bu ürünler, buzdolabınızın yüzeyine zarar verebilir.
- Tüm ambalaj malzemelerini imha edin/geri dönüşüme gönderin.

Kullanım Öncesi Temizlik

Tüm ambalaj malzemelerini çıkarttıktan sonra, buzdolabınızı kullanmadan önce içini temizleyin. "Buzdolabı Bakımı" bölümündeki temizlik talimatlarına bakın.

Cam raflar ve kapaklar hakkında önemli bilgiler:

Cam raflar veya kapaklar soğuk haldeyken ılık su ile temizlemeyin. Ani ısı değişimlerine veya darbe gibi etkilere maruz kalmaları halinde raflar ve kapaklar kırılabilir. Tavlı cam, birçok küçük ve çakıl boyutunda parçalara ayrılacak şekilde tasarlanmıştır. Bu normaldir. Cam raflar ve kapaklar ağırdır. Düşmemeleri için, bunları çıkartırken her iki elinizi de kullanın.

Konum Gereklilikleri

⚠ UYARI



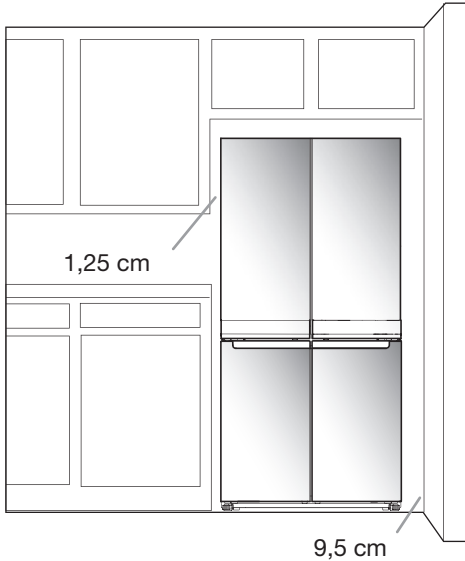
Patlama Tehlikesi

Benzin gibi yanıcı maddeleri ve buharları buzdolabından uzak tutun.

Aksi halde, ölüm, patlama veya yangın ile

Buzdolabınızın uygun şekilde havalandırılması için, buzdolabının her iki yanında ve üst kısmında 1.25 cm boşluk bırakın. Buzdolabının arka kısmında 5 cm'lik bir boşluk bırakın. Buzdolabınızın buz makinesi özelliği varsa, su hattı bağlantıları için arka kısımda ekstra boşluk bırakın. Buzdolabınızı sabit bir duvarın yanına monte ederken, kapağının açılabilmesi için buzdolabı ile duvar arasında en az 9.5 cm boşluk bırakın.

NOT: Bu buzdolabı, sıcaklığın minimum 10°C ile maksimum 43°C arasında olduğu bir yerde kullanılmak üzere tasarlanmıştır. Cihazın en uygun performansı göstermesi, elektrik tüketiminin azaltılması ve üstün soğutma kalitesi elde edilmesi için, tercih edilen oda sıcaklığı aralığı 15°C ila 32°C'dir. Buzdolabını, bir fırın veya kalorifer peteği gibi bir ısı kaynağının yakınına monte etmemeniz önerilir.



Elektriksel Gereklilikler

⚠ UYARI



Elektrik Çarpması Tehlikesi

Topraklaması olan (topraklı) bir prize takın.

Toprak hattını çıkartmayın.

Bir adaptör kullanmayın.

Bir uzatma kablosu kullanmayın.

Bu talimatlara uyulmaması, ölüm, yangın veya elektrik çarpması ile sonuçlanabilir.

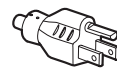
ÖNEMLİ: Montaj ve elektrik bağlantısı, kalifiye bir teknisyen tarafından, üretici firmanın talimatlarına ve yerel güvenlik mevzuatlarına uygun bir şekilde yapılmalıdır.

- Buzdolabı, 220-240 Volt, 10 A, 50/60 Hz'lik ayrı bir hat üzerinde çalışmak üzere tasarlanmıştır.
- Bilgi etiketinde belirtilen gerilim değerinin, evinizdeki gerilime uygun olup olmadığını kontrol edin.
- Cihazın elektrik bağlantısını, fişini prizden çekmek suretiyle veya prize takılacak iki kutuplu bir anahtar vasıtasıyla kesmek mümkün olmalıdır.
- Eğer elektrik kablosu hasarlı ise, tehlikeden kaçınmak amacıyla imalatçı, yetkili servis veya benzer kalifiye kişiler tarafından değiştirilmelidir.

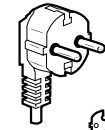
Buzdolabınızı nihai konumuna taşımadan önce, uygun bir elektrik bağlantısına sahip olduğunuzdan emin olmak önemlidir:

Önerilen Topraklama Yöntemi

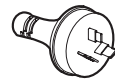
220-240 Volt 50 Hz, 220 Volt 60 Hz veya 230/240 Volt 50 Hz AC sadece 10 A sigortalı ve topraklı elektrik beslemesi gereklidir.



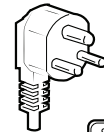
B Tipi



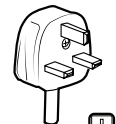
E ve F Tipi



I Tipi



M Tipi



G Tipi

Avustralya ve Yeni Zelanda için:

Yeni cihazınız, tüm Avustralya Standartlarına ve Koşullarına uygun olacak şekilde özel olarak üretilmiştir.

Montaj talimatındaki bazı gösterimler/bildirimler, diğer ülkelerdeki elektrik gerekliliklerini işaret ediyor olabilir, dolayısıyla dikkatinizi özellikle bu özel notlara çekmek isteriz.

Cihazınızın bir 230/240 Volt 50 Hz AC sadece 10 A topraklı prize takılması gerekir.

Elektriksel Gereklilikler (sadece İngiltere ve İrlanda için)

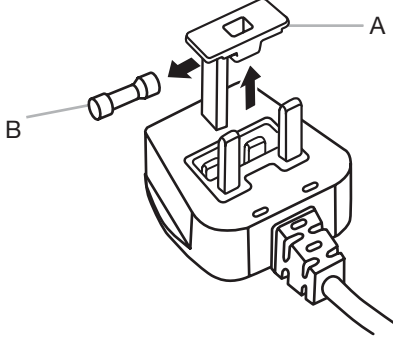
ÖNEMLİ: Bu buzdolabı topraklanmalıdır.

Sigortanın Değiştirilmesi

Buzdolabının elektrik kablosu BS1363A, 13 A sigortalı fişle donatılmıştır; bu tip bir fişin sigortasını değiştirmek için, A.S.T.A. onaylı BS 1362 tipi bir sigorta kullanın ve aşağıdaki işlemleri yapın:

1. Sigorta kapağını (A) ve sigortayı (B) çıkartın.
2. Yedek 13 A sigortayı sigorta kapağının içine takın.
3. Hem sigortayı hem de kapağını tekrar fişe monte edin.

ÖNEMLİ: Sigorta kapağı, sigortayı değiştirirken geri takılmalıdır. Eğer sigorta kapağı kaybolursa, doğru tip kapak takılana kadar fiş kullanılmamalıdır. Doğru değiştirme işlemi, fişin taban kısmına işlenmiş renk baskısı veya renkli "kelime" ile belirlenir. Yedek sigorta kapaklarını bölgenizdeki elektrik ürünleri satan dükkanlardan temin edebilirsiniz.



A. Sigorta kapağı
B. Sigorta

(Sadece) İrlanda Cumhuriyeti için:

İngiltere ile ilgili olarak verilen bilgiler çoğunlukla geçerlidir, fakat üçüncü bir fiş ve priz tipi de kullanılmaktadır; 2-pimli, yan taraftan topraklı tip.

Priz/Fiş (her iki ülke için de geçerli):

Eğer takılan fiş prizinize uygun değilse, daha fazla bilgi için Yetkili Servisle İLETİŞİME GEÇİN. Fişi kendi başınıza değiştirmeye çalışmayın. Bu prosedürün, üreticinin talimatlarına ve geçerli standart güvenlik kanunlarına uygun olarak kalifiye bir teknisyen tarafından uygulanması gerekir.

Sıcaklık

Bu buzdolabı, anma değerleri plakasında belirtilen iklim sınıfına göre belirli sıcaklık aralıklarında çalışmak üzere tasarlanmıştır. Buzdolabı, değer aralığının dışındaki bir sıcaklıkta uzun süre kalırsa, düzgün bir şekilde çalışmayabilir.

NOT: Buzdolabını, bir fırın veya kalorifer peteği gibi bir ısı kaynağının yakınına monte etmemeniz önerilir.

İklim Sınıfı	Ortam Sıcaklığı (°C)	Ortam Sıcaklığı (°F)
SN	10 ile 32 arası	50 ile 90 arası
N	16 ile 32 arası	61 ile 90 arası
ST	16 ile 38 arası	61 ile 100 arası
T	16 ile 43 arası	61 ile 110 arası

Buzdolabı Kapaklarının Çıkarılması ve Değiştirilmesi

NOT: Buzdolabınızı evinize taşımak için kapılarını sökmeniz gerekip gerekmeyeceğini anlamak için, kapı açıklığının genişliğini ölçün. Eğer kapının sökülmesi gerekirse, aşağıdaki talimatları takip edin.

ÖNEMLİ: Buzdolabı daha önceden monte edilmiş ve onu evinizden çıkartacaksınız, kapılarını çıkartmadan önce buzdolabı kumandalarını kapalı duruma getirin. Buzdolabının fişini çekin veya elektriğini kesin. Yiyecekleri, ayarlanabilir kapağı veya kapaklardaki malzeme çekmecelerini çıkartın.

Kapıları sökmeden önce gerekli aletleri alın ve tüm talimatları okuyun.

GEREKLİ ALETLER: 6 mm altıgen başlı somun anahtarı, 5 mm altıgen başlı somun anahtarı ve #2 yıldız tornavida.



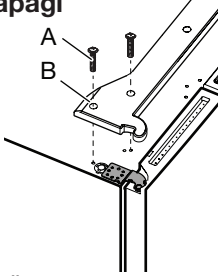
⚠ UYARI

Elektrik Çarpması Tehlikesi

Kapakları çıkartmadan önce elektriği kesin.

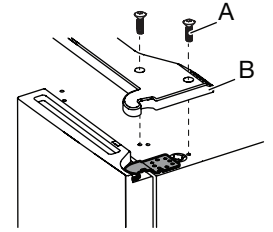
Aksi halde, ölüm veya elektrik çarpması ile sonuçlanabilir.

Üst Sol Menteşe Kapağı



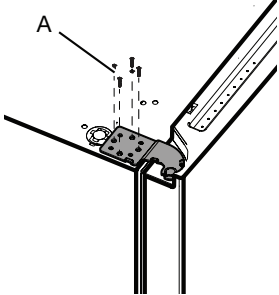
- A. Üst Menteşe Kapağı Vidaları
- B. Üst Menteşe Kapağı

Üst Sağ Menteşe Kapağı



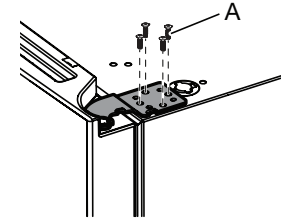
- A. Üst Menteşe Kapağı Vidaları
- B. Üst Menteşe Kapağı

Üst Sol Menteşe



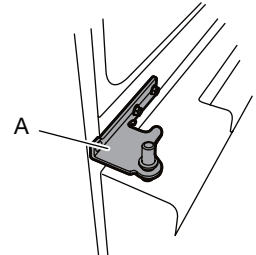
- A. 5 mm altıgen başlı vidalar

Üst Sağ Menteşe



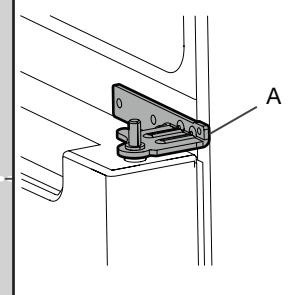
- A. 5 mm altıgen başlı vidalar

Orta Sol Menteşe



- A. Menteşe

Orta Sağ Menteşe



- A. Menteşe

⚠ UYARI

Aşırı Ağırlık Tehlikesi

Buzdolabının kapısını kaldırmak için iki veya daha fazla kişi gereklidir.

Aksi halde beliniz veya başka bir yeriniz sakatlanabilir.

Buzdolabı Kapılarının Çıkarılması

⚠ UYARI



Elektrik Çarpması Tehlikesi

Kapakları çıkartmadan önce elektriği kesin.

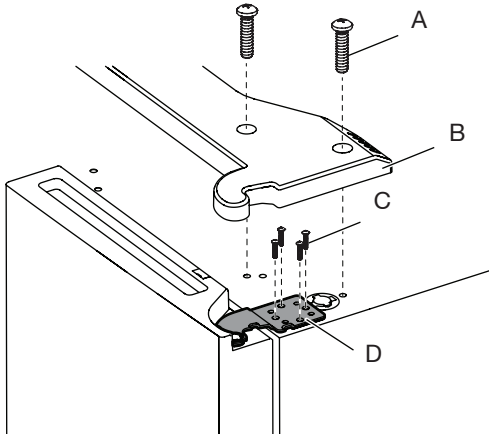
Aksi halde, ölüm veya elektrik çarpması ile sonuçlanabilir.

Sağ Kapının Çıkartılması

1. Buzdolabının fişini çekin veya elektriğini kesin.
2. Kabininden çıkartıp kaldırmaya hazır olana kadar buzdolabının kapaklarını kapalı tutun.

NOT: Menteşeleri çıkartırken, buzdolabı kapağına ek destek sağlayın. Çalışma esnasında kapağı yerinde tutması için sadece kapak conta mıknatıslarına güvenmeyin.

3. Bir yıldız tornavida kullanarak üst menteşenin kapağını çıkartın.
4. 5 mm altıgen başlı somun anahtarı ile, üst menteşedeki dört vidayı sökün ve bir kenara koyun.



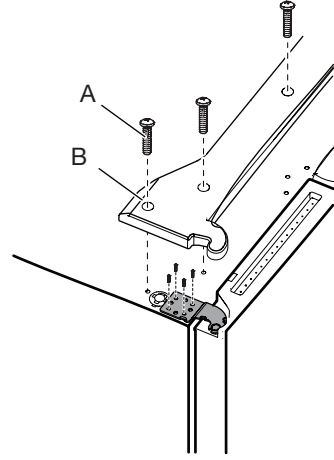
- A. Üst menteşe kapağı vidası
B. Üst menteşe kapağı
C. 5 mm altıgen başlı vidalar
D. Üst menteşe

5. Buzdolabı kapağını orta menteşe piminden kaldırın. Üst menteşe, kapı ile birlikte çıkacaktır.

Sol Kapının Çıkartılması

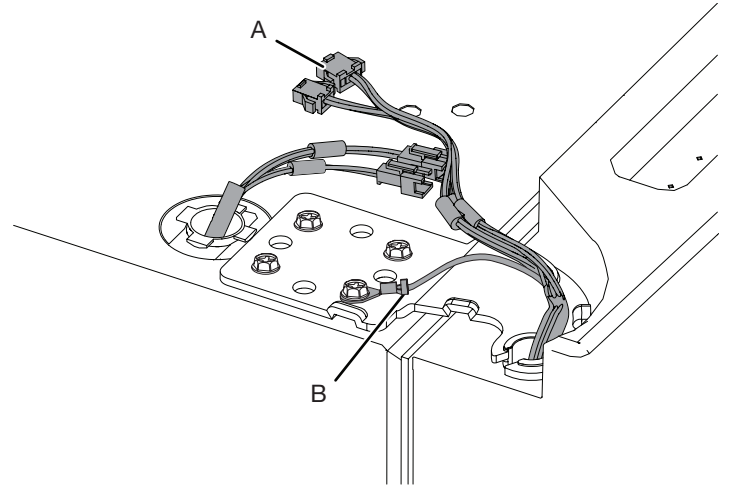
ÖNEMLİ: Kullanıcı arayüzü kabloları sol kapı menteşesinin içinden geçmektedir, dolayısıyla kapı çıkartılmadan önce bunların bağlantısı sökülmalıdır.

1. Bir yıldız tornavida kullanarak üst menteşenin kapağını çıkartın.



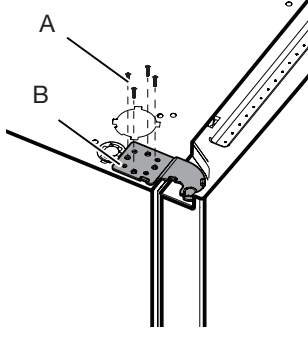
- A. Üst menteşe kapağı vidası
B. Üst menteşe kapağı

2. Kapı menteşesinin üstünde bulunan iki kablo soketini çıkartın.
 - Kablo soketlerini iki yanından tutun. Başparmağınızla bastırarak kilidinden kurtarın ve soketlerini çekerek ayırın.



- A. Kablo Soketi
B. Toprak (topraklama) konnektörü

- 5 mm altıgen başlı somun anahtarı ile, üst menteşedeki dört dahili vidayı sökün ve bir kenara koyun.



A. 5 mm altıgen başlı vidalar
B. Üst Menteşe

NOT: Menteşeleri çıkartırken, buzdolabı kapağına ek destek sağlayın. Çalışma esnasında kapağı yerinde tutması için sadece kapak conta mıknatıslarına güvenmeyin.

- Buzdolabı kapağını alt menteşe piminden kaldırın. Üst menteşe, kapı ile birlikte çıkacaktır.

NOT: Buzdolabını bir kapıdan geçirmek için, alt menteşeleri ve fren ayaklarını çıkartmak gerekebilir.

- Sadece gerekirse, orta menteşeyi çıkartmak için 6 mm altıgen başlı somun anahtarı ve #2 yıldız tornavida kullanın.

Sağ Buzdolabı Kapısının Değiştirilmesi

- Sağ kapıyı orta menteşe pimine geçirin.
- Üst menteşe pimini buzdolabı kapısının üstündeki açık deliğe geçirin.
- Dört adet 5 mm altıgen başlı vida kullanarak, menteşeyi kabine sabitleyin. Vidaları sonuna kadar sıkmayın.

Sol Buzdolabı Kapısının Değiştirilmesi

- Sol kapıyı orta menteşe pimine geçirin.
- Dört adet 5 mm altıgen başlı vida kullanarak, menteşeyi kabine sabitleyin. Vidaları sonuna kadar sıkmayın.
- Elektrik kablolarını bağlayın.
 - Kablo soketlerini birbirine doğru itin.
 - Toprak kablosunu menteşe vidasına geri bağlayın.

Son İşlemler

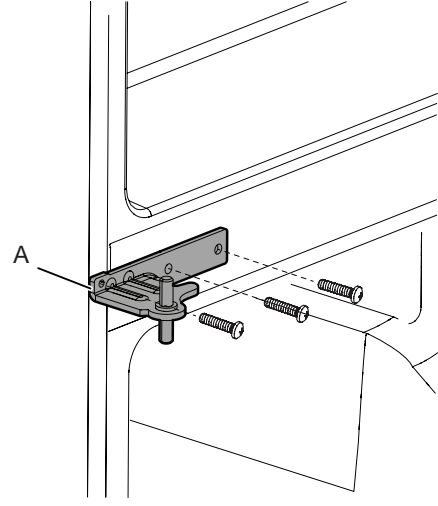
- Sekiz adet 5 mm altıgen başlı vidayı tam olarak sıkın.
- Üst menteşe kapaklarını takın.

Dondurucu/Flexi Dondurucu Kapısının Sökülmesi ve Takılması

- Kabininden çıkartıp kaldırmaya hazır olana kadar, dondurucunun kapaklarını kapalı tutun.

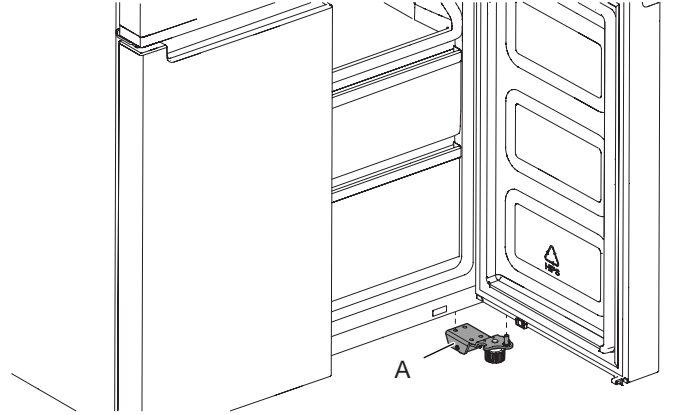
NOT: Menteşeleri çıkartırken, dondurucu kapağına ek destek sağlayın. Çalışma esnasında kapağı yerinde tutması için sadece kapak conta mıknatıslarına güvenmeyin.

- Bir #2 yıldız tornavida ve 6 mm altıgen başlı somun anahtarı kullanarak, orta menteşeyi kabinden çıkartın.



A. Orta menteşe

- Dondurucu kapağını alt menteşe piminden kaldırın.



A. Alt menteşe

⚠ UYARI



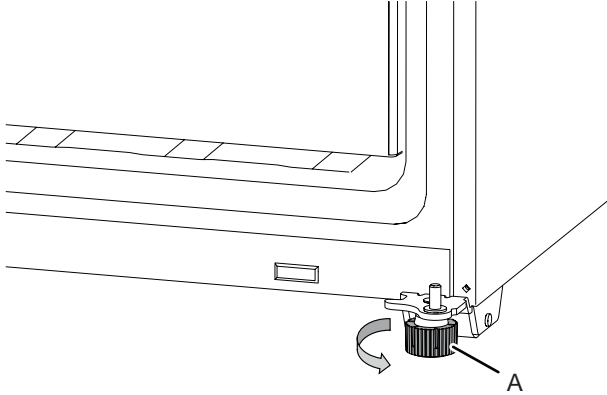
Elektrik Çarpması Tehlikesi

- Topraklaması olan (topraklı) bir prize takın.
- Toprak hattını çıkartmayın.
- Bir adaptör kullanmayın.
- Bir uzatma kablosu kullanmayın.
- Bu talimatlara uyulmaması, ölüm, yangın veya elektrik çarpması ile sonuçlanabilir.

1. Topraklaması olan (topraklı) bir prize takın.
2. Tüm portatif aksesuarları geri takın ve yiyecekleri çekmecelere yerleştirin.

Buzdolabının Düzlük Ayarlaması

1. Buzdolabını nihai konumuna yerleştirin.
2. Fren ayaklarını elinizle döndürün. Tekerleklerin zeminle teması kesilene ve her iki fren ayağı da yere oturana kadar bunları saatin tersi yönde döndürün. Bu işlem, kapılarını açtığınızda buzdolabının öne doğru hareket etmesini önler.



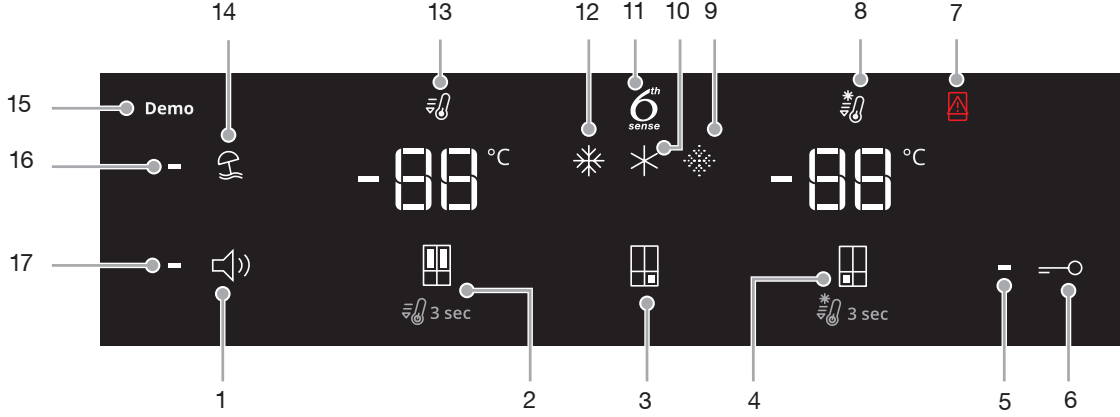
A. Fren ayakları

ÖNEMLİ: Fren ayakları ile daha fazla ayarlama yapmanız gerekirse, buzdolabının düz kalması için her iki fren ayağını da aynı miktarda döndürmelisiniz.

3. Buzdolabının yanlara ve öne/arkaya doğru düz durduğundan emin olmak için bir terazi kullanın.

Kumandaların Kullanımı

Dokunmatik kumandalar, buzdolabının sol kapısının üstünde bulunmaktadır. Kontrol paneli, çeşitli düğmeler ve göstergeler hakkında bilgiler içerir. Soğutucu ve dondurucu bölme sıcaklığı göstergeleri, son sıcaklık ayar noktasını gösterir.



1. Ses AÇMA/KAPAMA Düğmesi
2. Soğutucu Sıcaklık Düğmesi (Hızlı Soğutma için 3 sn basılı tutun)
3. Flexi Dondurucu Ön-ayarlı Sıcaklık Düğmesi (sadece WQ9 B1L, 6WM24NIHAS ve WQ70900SXX modellerinde)
4. Dondurucu Sıcaklık Düğmesi (Hızlı Dondurma için 3 sn basılı tutun)
5. Tuş Kilidi Göstergesi
6. Tuş Kilidi Düğmesi
7. Kapı Açık Göstergesi
8. Hızlı Dondurma Göstergesi
9. Soft Dondurucu Göstergesi (sadece WQ9 B1L, 6WM24NIHAS ve WQ70900SXX modellerinde)

10. Mild Dondurucu Göstergesi (sadece WQ9 B1L, 6WM24NIHAS ve WQ70900SXX modellerinde)
11. His Göstergesi
12. Hard Dondurucu Göstergesi (sadece WQ9 B1L, 6WM24NIHAS ve WQ70900SXX modellerinde)
13. Hızlı Soğutma Göstergesi
14. Tatil Modu Düğmesi
15. Demo Modu Göstergesi (sadece WQ9 B1L, 6WM24NIHAS ve WQ70900SXX modellerinde)
16. Tatil Modu Göstergesi
17. Ses Göstergesi

Kontrol Paneli, bir dakika işlem yapılmadığında otomatik olarak sönecektir. Kontrol panelini aktive etmek için herhangi bir tuşa basın.

-88 Sıcaklık ayar Noktalarının Görüntülenmesi ve Ayarlanması

Soğutucu ve Dondurucu Bölmesi Sıcaklığının Ayarlanması:

Rahatlığınız için, soğutucu ve dondurucu kumandalarının ön ayarı fabrikada yapılmıştır.

Buzdolabınızı ilk kez monte ettiğinizde, kumandaların önerilen ayar noktalarına ayarlı durumda olduğundan emin olun. Fabrika tarafından önerilen ayar noktaları, soğutucu için 3°C ve dondurucu için -18°C'dir.

Soğutucu veya Dondurucu Sıcaklık düğmesine basıldığında, sıcaklık ayar noktaları Celsius (°C) cinsinden gösterilir.

ÖNEMLİ:

- Buzdolabına yiyecek koymadan önce 24 saat bekleyin. Yiyecekleri buzdolabı tam olarak soğumadan önce koyarsanız yiyecekleriniz bozulabilir.
NOT: Ayar noktalarının önerilen ayardan daha soğuk bir değere ayarlanması, bölmelerin daha hızlı soğumasını sağlamaz.
- Eğer buzdolabı veya dondurucudaki ısı çok sıcaksa veya çok soğuksa, kumandaları ayarlamadan önce hava menfezlerini kontrol ederek tıkanmamış olduklarından emin olun.
- Önerilen değerler normal ev içi kullanım için doğru olmalıdır. Süt veya meyve suları istediğiniz şekilde soğuk hale gelmişse ve dondurma tam kıvamında ise, kumandalar doğru ayarlanmış demektir.
NOT: Garaj, bodrum veya veranda gibi alanlar, daha yüksek nem oranına veya aşırı sıcaklıklara sahip olabilir. Bu koşullara uyum sağlamak açısından, sıcaklık ayarını önerilen ayarlardan daha farklı değerlere ayarlanmanız gerekebilir.
- Ayarlamalar arasında en az 24 saat bekleyin. Diğer ayarları yapmadan önce, sıcaklıkları yeniden kontrol edin.

6. His Tazelik Kilidi ve Dondurma Kontrolü

6. HİS Tazelik Kilidi sensörü, taze yiyecekleri daha uzun süre ve en doğal şekilde korumak için hassas ve istikrarlı sıcaklık kontrolü sağlar. Bir sıcaklık değişimi tespit edildiğinde, sensör, hızlı bir şekilde eski sıcaklığı döndürmeyi sağlayan bir kompresörü aktive eder.
6. HİS Dondurma sensörü, yenilikçi bir sıcaklık yönetim sistemi sayesinde dondurucudaki sıcaklık dalgalanmalarını minimuma indirir. Yiyeceklerin kalitesini ve rengini korumak için, don yanıklarını azaltır.

Flexi Dondurucu Ayarı (sadece WQ9 B1L, 6WM24NIHAS ve WQ70900SXX modellerinde)

Flexi Dondurucu fonksiyonu, Flexi dondurma bölümü için ön-ayarlı sıcaklığa geçiş yapmanızı sağlar.

Sembol	Fonksiyon	Sıcaklık
✱	Geleneksel dondurucu	-18°C
✱	Mild dondurucu	-12°C
✱	Soft dondurucu	-7°C

* En soğuk ayarı (-20°C) aktive etmek/devre dışı bırakmak için, Flexi Dondurucu Ön-Ayar Sıcaklığı Düğmesine 3 saniye basılı tutun. En soğuk ayarı aktif olduğunda, üç simgenin tamamı yanacaktır.

Çoklu Sıcaklık Ayarının Yapılması

- Geleneksel dondurucu (-18°C): Hali hazırda donmuş yiyecekler ve taze yiyecekler (maks. 12 ay)
- Mild dondurucu (-12°C): Hali hazırda donmuş yiyecekler (maks. 1 ay)
- Soft dondurucu (-7°C): Hali hazırda donmuş yiyecekler (maks. 1 hafta)



- Esnek Dondurucu -18°C veya -20°C'ye ayarlandığında, hem Esnek Dondurucu ısısı hem de Dondurucu ısısı, Dondurucunun veya Esnek Dondurucunun sahip olduğu daha soğuk olan ısıya kadar düşürülecektir.
- Ortam ısısı yaklaşık 10°C veya daha soğuk olduğunda, Esnek Dondurucu bölmesinin ısısı -7°C'ye ulaşamayabilir.

Sıcaklık ayar noktalarını ayarlarken, rehber olarak aşağıdaki tabloyu kullanın:

KOŞUL	SICAKLIK AYARI
Buzdolabı çok soğuk	Buzdolabı ayarı 1° yüksek
Buzdolabı çok sıcak	Buzdolabı ayarı 1° düşük
Dondurucu çok soğuk	Dondurucu ayarı 1° yüksek
Dondurucu çok sıcak/ çok az buz var	Dondurucu ayarı 1° düşük



Hızlı Soğutma

Hızlı Soğutma özelliği, buzdolabı çok kullanıldığında, sebzelik tam dolu olduğunda veya geçici sıcak oda koşullarında yardımcı olur.

- Hızlı Soğutma özelliğini aktive etmek için, Soğutucu Sıcaklık düğmesine  basın ve 3 saniye basılı tutun. Özellik aktif olduğunda, Hızlı Soğutma simgesi yanacaktır. Hızlı Soğutma özelliği, manuel olarak kapatılmadığı sürece 2 saat boyunca aktif kalacaktır.
- Hızlı Soğutma özelliğini manuel olarak kapatmak için, Soğutucu Sıcaklık düğmesine  basın ve 3 saniye basılı tutun. Hızlı Soğutma simgesi, özellik aktif olmadığında sönmek olacaktır.
- Soğutucu sıcaklığının ayarlanması, Hızlı Soğutma özelliğini otomatik olarak devre dışı bırakacaktır.

Hızlı Soğutma

24 Saat içerisinde dondurulabilecek taze yiyeceklerin miktarı (kg olarak), cihazın bilgi etiketinde gösterilmiştir.

- Taze yiyecekleri dondurucu bölmesine yerleştirmeden 24 saat önce, Dondurucu Sıcaklık düğmesine  3 saniye basılı tutun (Hızlı Dondurma Göstergesi yanana kadar). Taze yiyecekleri dondurucuya yerleştirdikten sonra, Hızlı Dondurma fonksiyonunun 24 saat çalışması yeterlidir; Hızlı dondurma fonksiyonu 50 saatlik çalışmanın ardından otomatik olarak kapanır.
- Hızlı Dondurma özelliğini manuel olarak kapatmak için, Dondurucu Sıcaklık düğmesine  basın ve 3 saniye basılı tutun. Hızlı Dondurma simgesi sönecektir.
- Dondurucu sıcaklığının ayarlanması, Hızlı Dondurma özelliğini otomatik olarak devre dışı bırakacaktır.

Tatil Modu

Bu mod, cihazınız düzenli kullanılmadığında (örneğin siz tatildeyken) enerjinin boşa harcanmasını önlemek için tasarlanmıştır.

Bu fonksiyonu seçtiğinizde, soğutucu bölmesinin sıcaklığı (RC) otomatik olarak 12°C'ye ayarlanacaktır.

- Tatil modunu kullanmak için, Tatil modu göstergesi ekranda yanana kadar mod düğmesine basılı tutun.
- Tatil modundan çıkmak için, mod simgesi ekrandan kaybolana kadar mod düğmesine basılı tutun.
- Soğutucu sıcaklığının ayarlanması, Tatil Modu özelliğini otomatik olarak devre dışı bırakacaktır.

ÖNEMLİ: Bu mod seçilirse, tüm yiyeceklerin ve içeceklerin soğutucu bölmesinden çıkartılması gereklidir.

Ses AÇMA-KAPATMA

Sesli Bildirimi açmak/kapatmak için düğmeye basın.

Tuş Kilidi

- Kilit özelliğini aktive etmek için, Kilit düğmesine basın ve 3 saniye basılı tutun.
- Kilidi devre dışı bırakmak için, Kilit düğmesine basın ve 3 saniye basılı tutun.

Kullanıcı kontrol panelinin kilidini açana kadar, kilit özelliği kontrol paneli ile tüm etkileşimi göz ardı edecektir. Bu özellik, ayarların kazara değiştirilmesini önlemek içindir.

Demo Modu (yalnızca WQ9 B1L, 6WMM24NIHAS ve WQ70900SXX)


Bu mod, bir perakende mağazada vitrinde sergilenirken veya soğutmayı kapatmak ve diğer tüm fonksiyonları (iç aydınlatma hariç) devre dışı bırakmak istediğinizde kullanılır.

Demo modu, uzun bir tatile giderken kullanılabilir. Buzdolabınızı uzun bir süre bu modda bırakmakla ilgili bilgi için, "Tatil ve Taşınma Bakımı" bölümüne bakın.

- Demo modunu aktive ederseniz, ekranda "Demo" simgesi yanacaktır.
- Ses Açma veya Kapatma düğmesine ve Kilit düğmesine aynı anda basıp 3 saniye basılı tutarak Demo moduna geçebilirsiniz veya Demo modundan çıkabilirsiniz.

Ek özellikler

Kapı Açık Alarmı

- Kapı Açık Alarmı dört kapaktan herhangi biri 2 dakika veya daha fazla açık kaldığında sesli bir alarm verilmesini ve "Kapı Açık" simgesinin  yanıp sönmelerini sağlar.
- Alarm 5 dakikada bir çalar. Susturmak için tüm kapakları kapatın.

NOT: Kapılar açıkken, örneğin buzdolabının içini temizlerken, sesli alarmın sesini kesmek için, kontrol panelindeki herhangi bir düğmeye dokununuz. Alarm sesi geçici olarak kesilecektir, fakat Kapı Açık simgesi kontrol panelinin ekranında görüntülenmeye devam edecektir.

Buzdolabının Aydınlatması

Buzdolabı, kapısı her açıldığında yanan bir dahili lamba ile donatılmıştır.

NOT: Lamba, değiştirilmesi gerekmeyen bir LED lambadır. Kapı açıldığında LED yanmazsa, değiştirmesi için servisi arayın.

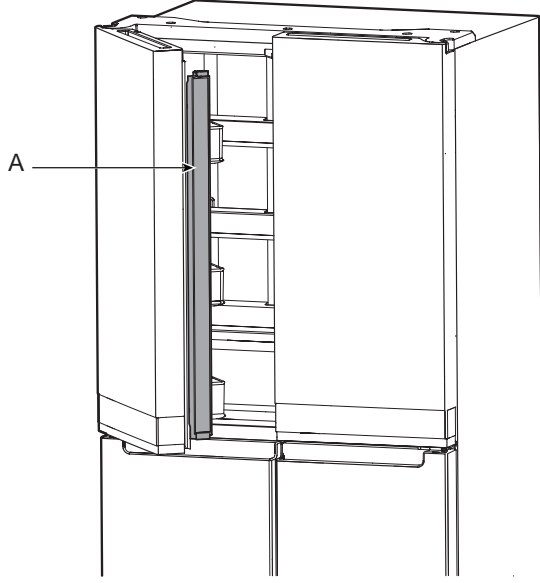
BUZDOLABI KULLANIMI

Kapakların Açılması ve Kapatılması

İki buzdolabı bölmesi kapağı modeli mevcuttur. Kapaklar, birbirinden bağımsız veya birlikte açılıp kapatılabilir. Sol buzdolabı kapağında, dikey menteşeli bir conta mevcuttur.

- Sol kapak açıldığında, menteşeli conta otomatik olarak içeriye doğru katlanır, böylece engel teşkil etmez.
- Her iki kapak da kapatıldığında, menteşeli conta iki kapak arasında otomatik olarak bir conta görevi görür.

NOT: Kapağı kapatırken, menteşeli conta doğru konumda olmalıdır (içe bükülü). Aksi halde, sağ kapağa veya sabitleme miline çarpar.

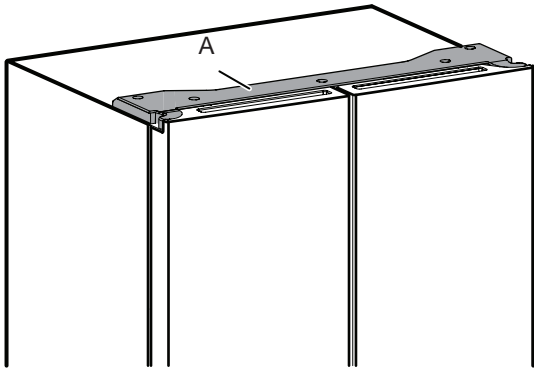


A. Menteşeli conta

Soğutucu bölmesi kapı sivici, üst sol ve sağ menteşe kapağında bulunmaktadır.

- Dondurucu ve Çoklu Sıcaklık Bölgesi için, kapı sivici alt tirizde bulunur.
- Kapı sivici, kapının açıldığını/kapandığını algılamak için mıknatis kullanır.
- Menteşe kapağının 7.62 cm yakınında hiçbir mıknatis veya elektronik cihaz (Hoparlör, Coolvox® vs.) bulunmadığından emin olun.

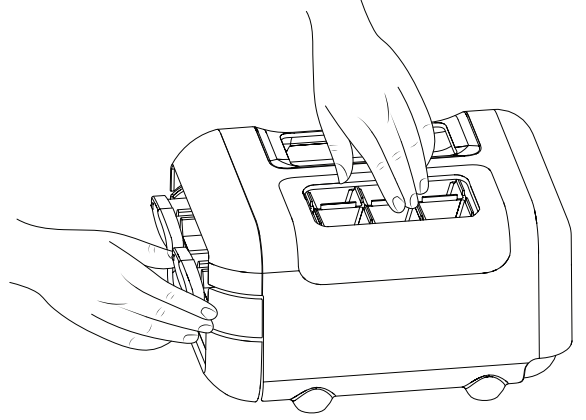
NOT: Lamba, kapının açılması tespit edilmezse yanmayacaktır.



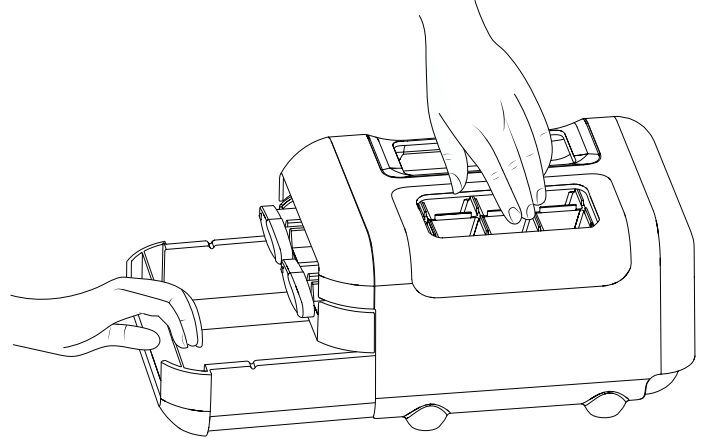
A. Menteşe kapağı

Buz Makinesi

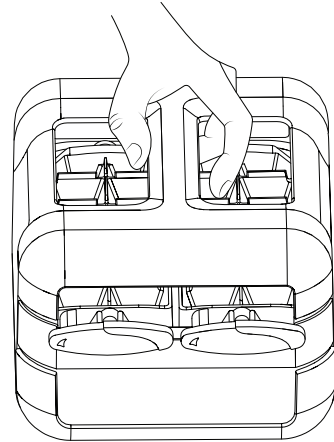
- Buz yapmak için, buz kabına arıtılmış su doldurun ve Manuel Buz makinesini Dondurucunun üst rafına yerleştirin. Buz oluşana kadar bekleyin ve buz hazır olduğunda, buz küplerinin buz kabına çıkartılması için düğmelerini saat yönünde döndürün.



- Buz küplerine erişmek için, buz kabını hafifçe kaldırın ve buz kabını çekip çıkartın.



Manuel buz makinesi, buz gerekmediğinde dondurucudan çıkartılarak dondurucuda daha fazla alan elde edilebilir.



Yiyeceklerin Saklanması

Yumurta Saklama

Tazeliklerini korumak amacıyla yumurtaların sabit bir sıcaklıkta muhafaza edilmesi önerilir, dolayısıyla yumurtaları soğutucunun orta rafında tutmak en iyi yöntemdir.

RAFLAR, BÖLMELER VE ÇEKMECELER

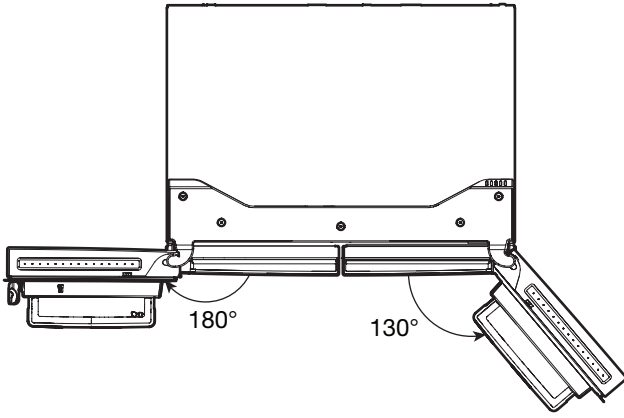
Cam raflar ve kapaklar hakkında önemli bilgiler:

Cam raflar veya kapaklar soğuk haldeyken ılık su ile temizlemeyin. Ani ısı değişimlerine veya darbe gibi etkilere maruz kalmaları halinde raflar ve kapaklar kırılabilir. Tavlı cam, birçok küçük ve çakıl boyutunda parçalara ayrılacak şekilde tasarlanmıştır. Bu normaldir. Cam raflar ve kapaklar ağırdır. Düşmemeleri için, bunları çıkartırken her iki elinizi de kullanın.

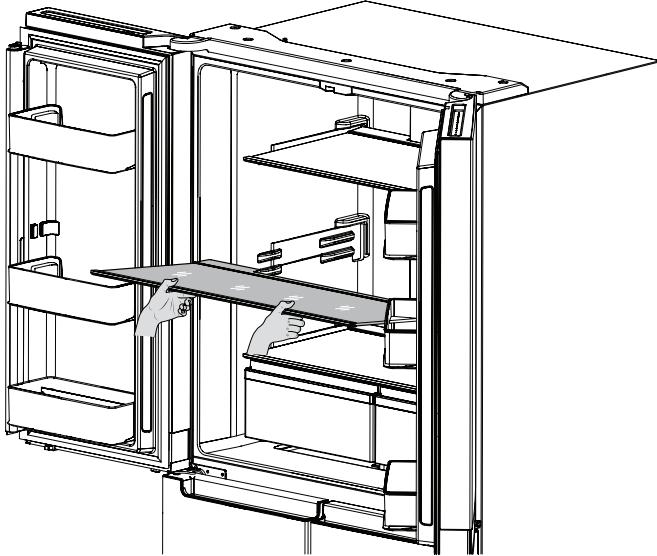
Raf Yüksekliğinin Ayarlanması

Raf yüksekliği, yerini alt destekten üst desteğe çıkartarak (ve tersini yaparak) ayarlanabilir.

- Sağ kapıyı sonuna kadar açın.
- Sol kapıyı sonuna kadar açın ve sonra 180° açmak için yukarı kaldırın.



- Rafi buzdolabından çıkartın ve istediğiniz konuma yerleştirin.



- Rafin raf desteklerine tam oturduğundan emin olun.

Raflar ve Raf Çerçeveleri

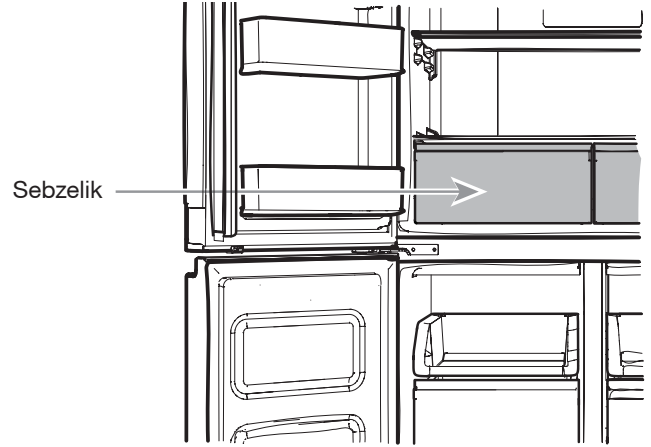
Buzdolabınızdaki raflar, kişisel muhafaza ihtiyaçlarınıza göre ayarlanabilir.

Benzer yiyecekleri buzdolabınızda bir arada muhafaza etmek ve rafları farklı yiyecek/kap yüksekliklerine göre ayarlamak, istediğiniz şeyi bulmayı kolaylaştıracaktır. Ayrıca buzdolabınızın kapısının açık kalma süresini azaltacak ve enerjiden tasarruf sağlayacaktır.

Rafların Çıkartılması ve Yerleştirilmesi:

1. Sağ kapıyı sonuna kadar açın ve sol kapıyı da sonuna kadar açın ve 180° açmak için sol kapıyı yukarı kaldırın.
2. Orta rafı veya üst rafı, raf desteklerinden kaldırarak çıkartın. Daha sonra, rafı ileri doğru çekin ve aşağı eğerek dikey bir konuma getirin. Rafa bir açı verin ve buzdolabından çekip çıkartın.
3. Alt rafı, raf desteklerinden kaldırarak çıkartın. Daha sonra, rafı ileri doğru çekin ve yukarı doğru eğerek dikey bir konuma getirin. Rafa bir açı verin ve buzdolabından çekip çıkartın.
4. Orta ve üst rafları, rafın ön kısmı aşağı bakacak şekilde buzdolabına bir açı ile koyarak yerleştirin. Rafın ön kısmını yukarı kaldırın ve rafın arka kısmı raf desteklerinin üstüne oturana kadar kaydırın. Rafın ön kısmını aşağı indirin ve rafın yerine oturduğundan emin olun.
5. Alt rafı, yukarı bakacak şekilde bir açı ile buzdolabına koyun. Rafın ön kısmını yukarı kaldırın ve rafın arka kısmı raf desteklerine oturana kadar kaydırın. Rafın ön kısmını aşağı indirin ve rafın yerine oturduğundan emin olun.

Sebzelikler

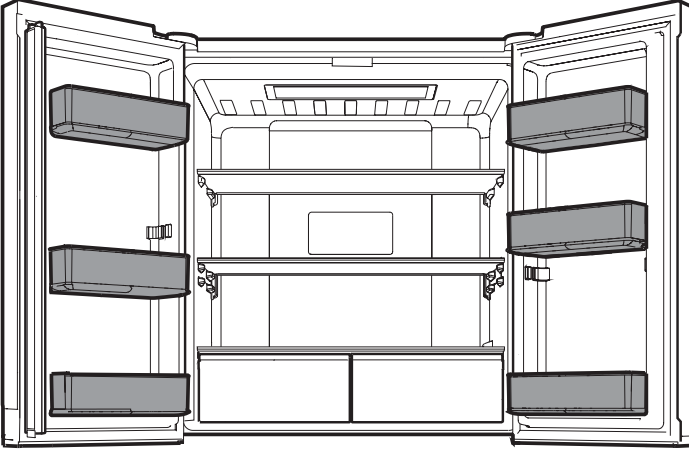


Sebzeliklerin Çıkartılması ve Yerleştirilmesi:

1. Sebzeliğin kulpundan tutun ve Sebzeliği durana kadar dışarı doğru çekin. Sebzeliği kaldırıp alt kılavuzundan kurtarın.
2. Sebzeliği, alt sebzelik kılavuzunun üzerine koyarak ve durana kadar yerine doğru iterek geri yerleştirin.

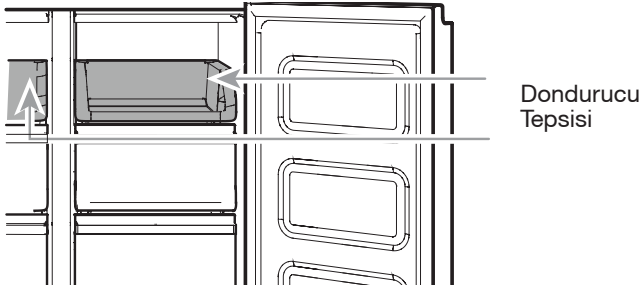
Buzdolabı Balkon Rafları

Buzdolabınızın kapısındaki balkon raf, kişisel muhafaza ihtiyaçlarınıza göre ayarlanabilir.



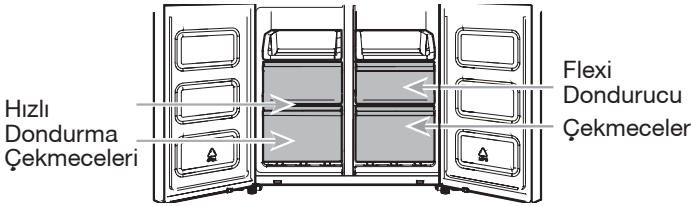
Dondurucu Saklama Bölmeleri

Dondurucu Tepsisi



Dondurucu tepsisi, sık kullanılan şeylere kolayca erişebilmek, artan yemekleri veya küçük yiyecekleri dondurmak veya basit bir şekilde saklamak için faydalıdır.

Dondurucu Çekmeceleri



Hızlı Dondurma bölümü

- Hızlı Dondurucu çekmeceleri, büyük hacimli yiyecekleri/kapları rahatça yerleştirmenizi sağlar.
- Hızlı Dondurma seçeneği, tüm dondurulmuş yiyeceklerinizi güvenle ve şeffaf bir şekilde muhafaza etmenizi sağlar.

NOT: Dondurucu bölümünün sıcaklığı Esnek Dondurucu Bölmesinin sıcaklığından daha sıcak bir değere ayarlandığında, Dondurucu bölümünün sıcaklığı Esnek Dondurucu Bölmesinin sıcaklığı ile aynı seviyeye kadar inebilir.

Flexi Dondurucu Bölmesi (sadece WQ9 B1L, 6WM24NIHAS ve WQ70900SXX modellerinde)

Flexi Dondurucu Bölmesi, üç dondurucu sıcaklığı seviyesinden birini seçmenize imkan tanır: Farklı yiyecek tipleri için en iyi saklama koşullarını sağlayan -7°C, -12°C, -18°C ve -20°C.

Maksimum dondurucu kapasitesi elde etmek için, dondurucu çekmecelerini çıkartarak dondurucu rafını açığa çıkartabilirsiniz.

Üst çekmeceyi çıkartmak için:

1. Çekmecenin kulpundan tutun ve çekmeceyi durana kadar dışarı doğru çekin. Çekmeceyi kaldırıp alt kılavuzundan kurtarın.
2. Çekmeceyi, alt çekmece kılavuzunun üzerine koyarak ve durana kadar yerine doğru iterek geri yerleştirin.

Dondurucu Rafı (sadece WQ9 E1L ve WQ9 B1L modellerinde)

Dondurucu kapasitesini maksimuma çıkarmak için, orta çekmeceyi çıkartarak altındaki dondurucu rafını açığa çıkartabilirsiniz. Daha sonra üst çekmeceyi koyabilir ve yiyecekleri doğrudan rafın üstüne yerleştirebilirsiniz.

Ses Referansı

Ton Ataması

Ton Adı	Kullanım Örnekleri
Güç Açma	Cihazın gücü her açıldığında, soğutma sisteminin de gücü açılır.
Tuşa Basma	Kullanıcı geçerli bir düğmeye bastığında.
Geçersiz (Hata)	Kullanıcı iki veya daha fazla sayıda geçerli düğmeye aynı anda bastığında. Bas-ve-basılı tut tipindeki düğmeler için geri sayım kesintisi.
Aktivasyon	Herhangi bir moda girildiğinin teyidi.
Devre dışı bırakma	Herhangi bir moddan çıkıldığının teyidi.
İkaz	Kapı Aralık ikazı.

Bu tablo hızlı başvuru içindir. Ayrıntılar için ilgili bölümlere bakın. Tutarsızlık olması halinde, ilgili bölümdeki bilgiler geçerlidir.

Aksesuarlar

Aksesuarlar sipariş etmek için, buzdolabınızı satın aldığınız satıcıyı arayın.

Yardım veya Servis

Yardım veya yetkili servisi aramadan önce, "Arıza giderme" bölümüne bakın. Sizi bir servis çağırma maliyetinden kurtarabilir. Eğer halen yardıma ihtiyacınız varsa, aşağıdaki talimatları izleyin.

Yedek parça gerekiyorsa

Fabrika tanımlı yedek parçaları bölgenizde bulabilmek için, buzdolabınızı satın aldığınız satıcı ile iletişime geçin.

Garanti

Garanti bilgileri için buzdolabınızı satın aldığınız satıcı ile iletişime geçin.

Bu kitapçığı ve satın alma faturanızı ileride kullanmak üzere saklayın. Garanti hizmeti için satın alma ve montaj tarihini kanıtlamanız gerekir.

İhtiyacınız olması halinde yardım ve servis konusunda size yardımcı olması için aşağıdaki bilgileri yazın. Tam model numarasını ve seri numarasını bilmeniz gerekecektir. Bu bilgileri, buzdolabı bölümünün iç paneline iliştirilmiş model ve seri numarası etiketinde bulabilirsiniz.

Satıcı adı _____

Seri numarası _____

Adres _____

Telefon numarası _____

Model numarası _____

Satın alma tarihi _____

BUZDOLABI BAKIMI

Temizlik

⚠ UYARI



Patlama Tehlikesi

Yanıcı olmayan temizlik maddesi kullanın.
Aksi halde, ölüm, patlama veya yangın ile sonuçlanabilir.

Soğutucu, Dondurucu ve Flexi dondurucu (sadece WQ9 B1L, 6WM24NIHAS ve WQ70900SXX modellerinde) bölümlerinin tamamı otomatik buz çözme yapar. Ancak, koku birikimini önlemek için tüm bölümleri yaklaşık ayda bir kez temizleyin. Dökülen maddeleri hemen silin.

Dış Temizlik

Lütfen modelinizle ilgili dair dış temizlik bilgilerine bakın.

Tarz 1 – Pürüzsüz Kapı

ÖNEMLİ: Temizlik ürünlerinin hatalı kullanımından veya önerilmeyen temizlik ürünlerinin kullanılmasından ötürü pürüzsüz kaplamanın hasar görmesi, garanti kapsamına girmez. Keskin veya kör aletler kaplamaya zarar verir.

KULLANIN	KULLANMAYIN
✓ Yumuşak, temiz bez	✗ Aşındırıcı bezler ✗ Kağıt havlular veya gazete kağıdı ✗ Çelik yünü pedler
✓ İlik, yumuşak bir deterjanla karıştırılmış sabunlu su	✗ Aşındırıcı tozlar veya sıvılar ✗ Pencere spreyleri ✗ Amonyak ✗ Asidik veya sirke bazlı temizleyiciler ✗ Fırın temizleyicileri ✗ Yanıcı sıvılar

NOT: Kağıt havlular, boyalı kapının kaplamasını içebilir ve matlaşmasına neden olabilir. Olası hasarları önlemek için, kapıları parlatmak ve silmek için sadece yumuşak, temiz bezler kullanın.

Tarz 2 – Paslanmaz Çelik

ÖNEMLİ:

- Sadece önerilen paslanmaz çelik temizleyicilerini ve bezleri kullanın. Temizlik ürünlerinin hatalı kullanımından veya önerilmeyen temizlik ürünlerinin kullanılmasından ötürü paslanmaz çelik kaplamanın hasar görmesi, garanti kapsamına girmez.
- Paslanmaz çelik cihazlara, yüksek tuzlu, yüksek nemli veya yüksek rutubetli ortamlar gibi kostik veya paslandırıcı maddelerin temas etmesini önleyin. Bu maddelere temastan kaynaklanan hasar, garanti kapsamına girmez.

KULLANIN	KULLANMAYIN
✓ Yumuşak, temiz bez	✗ Aşındırıcı bezler ✗ Kağıt havlular veya gazete kağıdı ✗ Çelik yünü pedler
✓ İlik, yumuşak bir deterjanla karıştırılmış sabunlu su	✗ Aşındırıcı tozlar veya sıvılar ✗ Amonyak ✗ Narenciye bazlı temizleyiciler ✗ Asidik veya sirke bazlı temizleyiciler ✗ Fırın temizleyicileri
✓ Ağır kirler için, sadece bu tip cihazlar için özel üretilmiş paslanmaz çelik temizleyici kullanın. Temizleyici sipariş etmek için, buzdolabınızı satın aldığınız satıcıyı arayın.	✗ Paslanmaz çelik temizleyici, sadece paslanmaz çelik parçalar içindir. Paslanmaz çelik temizleyicinin veya cıraların kenar/pervaz parçaları, dağıtıcı kapakları veya kapı contaları gibi plastik parçalara temas etmesine izin vermeyin.

Tarz 3 – Parmak İzi Tutmayan Paslanmaz

ÖNEMLİ:

- Paslanmaz çelik cihazlara, yüksek tuzlu, yüksek nemli veya yüksek rutubetli ortamlar gibi kostik veya paslandırıcı maddelerin temas etmesini önleyin. Bu maddelere temastan kaynaklanan hasar, garanti kapsamına girmez.

KULLANIN	KULLANMAYIN
✓ Yumuşak, temiz bez	✗ Aşındırıcı bezler ✗ Kağıt havlular veya gazete kağıdı ✗ Çelik yünü pedler
✓ İlik, yumuşak bir deterjanla karıştırılmış sabunlu su	✗ Aşındırıcı tozlar veya sıvılar ✗ Pencere spreyleri ✗ Amonyak ✗ Asidik veya sirke bazlı temizleyiciler ✗ Fırın temizleyicileri ✗ Yanıcı sıvılar

NOTLAR:

- Eğer kazara bir temas olursa, plastik parçaları bir sünger ve yumuşak deterjan katılmış ılık su ile temizleyin. Yumuşak bir bezle iyice kurulayın.
- Bir temizleyicinin sıvı formunda olması, aşındırıcı olmadığı anlamına gelmez. Seramik ve yumuşak yüzeylerde hassas/nazik olacak şekilde formüle edilmiş birçok sıvı temizleyici, paslanmaz çeliğe zarar verebilir.
- Sitrik asit paslanmaz çeliğin rengini kalıcı olarak soldurur.
- Paslanmaz çelik buzdolabınızın kaplamasının hasar görmesini önlemek için:

Aşağıdaki maddelerin kaplama üzerinde kalmasına izin vermeyin:

- ✗ Hardal
- ✗ Domates suyu
- ✗ Domatesli makarna sosu
- ✗ Narenciye içerikli soslar
- ✗ Narenciye içerikli ürünler

İç Temizlik

1. Buzdolabının fişini çekin veya elektriğini kesin.
2. Çıkarılabilir parçaları ve iç yüzeyleri elinizle iyice yıkayın, durulayın ve kurutun. Temiz bir sünger veya yumuşak bir bez ve nazik/yumuşak deterjanlı ılık su kullanın.
NOT: Plastik parçaları, iç ve kapak kaplamalarını veya contaları temizlemek için cam spreylere, oarak temizleme maddeleri, yanıcı sıvılar, temizlik cilaları, konsantre deterjanlar, ağartıcılar ya da petrol ürünleri içeren temizleyiciler gibi aşındırıcı veya sert temizleyiciler kullanmayın.
3. Buzdolabının fişini takın veya elektriğini açın.

Yoğuşturucu

Bu buzdolabının her iki yanında ince yoğuşturucu devresi bulunur. Yan taraflarda sıcaklık hissetmek normaldir.

Lambalar

Hem soğutucu hem de dondurucu bölmesinin lambaları, değiştirilmesi gerekmeyen LED lambalardır. Kapı açıldığında lambalar yanmazsa, buzdolabınızı satın aldığınız satıcıyı arayın.

Tatil ve Taşınma Bakımı

Tatiller

Siz Uzaktayken Buzdolabınızı Çalışır Halde Bırakacaksınız:

1. Bozulabilecek yiyecekleri tüketin ve diğerlerini de dondurun.
2. Buzdolabınızda otomatik buz makinesi varsa ve evin su besleme sistemine bağlı haldeyse, buzdolabına gelen su beslemesini kesin. Su beslemesi kapatılmazsa, eşyalarınız zarar görebilir.
3. Eğer otomatik buz makineniz varsa, buz makinesini kapatın.
 - Buz makinesini kapatmak için Kapatma (O) düğmesine basın.
4. Buz haznesini boşaltın.

Evden Ayrılmadan Buzdolabını Kapatacaksınız:

NOT: Tatildeyken buzdolabının Demo Modunu aktive edin. "Kumandaların Kullanımı" bölümüne bakın.

1. Buzdolabındaki tüm yiyecekleri çıkartın.
2. Buzdolabınızın otomatik buz makinesi varsa:
 - Buz makinesine gelen su beslemesini en az 1 gün önceden kesin.
 - Son buz düştüğünde, cihazınızın modeline bağlı olarak, buzdolabının üst iç kısmındaki ekranın sönmeye için Kapatma (O) düğmesine basın.
3. Buz haznesini boşaltın.
4. Sıcaklık kontrollerini kapatın. "Kumandaların Kullanımı" bölümüne bakın.
5. Buzdolabını temizleyin, silin ve iyice kurulayın.
6. Her iki kapağın da üstüne, içlerine hava girmesini sağlamak amacıyla açık bırakmak için kauçuk veya ahşap bloklar koyun. Bu sayede, koku ve küf oluşmaz.

Taşınma

Buzdolabınızı yeni evinize taşırken, taşınmaya hazırlık için aşağıdaki işlemleri yapın.

1. Buzdolabınızın otomatik buz makinesi varsa:
 - Buz makinesine gelen su beslemesini en az 1 gün önceden kesin.
 - Buzdolabının arkasından su hortumunu çıkartın.
 - Son buz düştüğünde, cihazınızın modeline bağlı olarak, buz makinesinin veya kontrol kısmının üstünde bulunan Kapatma (O) düğmesine basın.
2. Buzdolabındaki tüm yiyecekleri çıkartın ve tüm dondurulmuş yiyecekleri kuru buz paketinin içine koyun.
3. Buz haznesini boşaltın.
4. Buzdolabının fişini çekin.
5. İyice temizleyin, silin ve kurulayın.
6. Tüm portatif parçaları çıkartın, güzelce sarın ve taşınma esnasında kaymamaları ve çarpmamaları için birbirlerine bantlayın.
7. Modele bağlı olarak, daha rahat taşımak için buzdolabının önünü kaldırın veya zemine sürtünmemesi için seviye ayarlama vidalarını kaldırın. "Kapıların Ayarlanması" veya "Buzdolabının Düzlük Ayarlanması ve Kapının Kapanması" bölümüne bakın.
8. Kapakları kapalı halde bantlayın ve elektrik kablosunu buzdolabının arkasına bantlayın.

Yeni evinize taşındıktan sonra, her şeyi eski yerine koyun ve hazırlama işlemleri için "Montaj Talimatları" bölümüne bakın. Ayrıca, buzdolabınızda otomatik buz makinesi özelliği varsa, buzdolabına su beslemesini bağlamayı unutmayın.

SORUN GİDERME

Bir servisi aramadan önce, burada verilen çözüm önerilerini deneyin.

⚠ UYARI



Elektrik Çarpması Tehlikesi

Topraklaması olan (topraklı) bir prize takın.

Toprak hattını çıkartmayın.

Bir adaptör kullanmayın.

Bir uzatma kablosu kullanmayın.

Bu talimatlara uyulmaması, ölüm, yangın veya elektrik çarpması ile sonuçlanabilir.

Karşılaşılabilecek Sorun	Olası Nedenler	Çözüm
Buzdolabının Çalışması		
Buzdolabı çalışmıyor.	Elektrik beslemesini kontrol edin.	Elektrik kablosunu topraklı bir prize takın. Uzatma kablosu kullanmayın. Prizde elektrik olduğundan emin olun. Prizin çalışıp çalışmadığını anlamak için bir lamba takın. Atmış sigorta varsa kaldırın. Yanmış sigorta varsa değiştirin. NOT: Sorun devam ederse bir elektrikçi arayın.
	Kumandaları kontrol edin.	Kumandaların açık olduğundan emin olun. "Kumandaların Kullanımı" bölümüne bakın.
	Yeni montaj.	Buzdolabının tam olarak soğuması için kurulumun ardından 24 saat bekleyin. NOT: Sıcaklık kontrollerinin en soğuk ayara ayarlanması, bölmenin daha hızlı soğumasını sağlamayacaktır.
	Buzdolabı kumandası Demo modundadır (bazı modellerde).	Buzdolabı Demo modunda ise, soğutma fonksiyonu kapanır ve "Demo" mesajı kontrol panelinde görüntülenecektir. Daha fazla bilgi için "Kumandaların Kullanımı" bölümüne bakın.
	Motor çok fazla çalışıyor gibi görünüyor.	Yüksek verimli kompresörler ve fan. Oda veya dış ortam sıcaklığı yüksektir. Kısa bir süre önce büyük miktarda ılık/sıcak yiyecek/yemek konmuştur. Kapı(lar), sıkça açılıyordur veya uzun süre açık kalıyordur. Buzdolabı kapısı veya dondurucu çekmecesini açtıkça. Buzdolabı kumandası çok soğuğa ayarlanmıştır. Kapı veya çekmece sepeti kirli, aşınmış veya çatlaktır.
	Boyutu ve verimi yüksek buzdolapları, enerji verimi yüksek düşük hızlarda daha uzun süre çalışır. Buzdolabının bu tür koşullarda daha uzun süre çalışması normaldir. En iyi performans için, buzdolabını sıcaklığı kontrol edilen bir iç mekana yerleştirin. "Konum Gereklilikleri" bölümüne bakın. Sıcak yiyecek/yemek, içindeki hava istenilen ısıya ulaşana kadar buzdolabının daha uzun süre çalışmasına neden olacaktır. Buzdolabına giren sıcak hava, buzdolabının daha fazla çalışmasına neden olur. Kapısını daha az açın. Buzdolabının düz durumda olduğundan emin olun. "Buzdolabının Düzlük Ayarlaması ve Kapının Kapanması" bölümüne bakın. Yiyeceklerin ve kapların kapıları engellemediğinden emin olun. Buzdolabı ısı istenilen değere gelene kadar, kumandasını daha düşük bir soğukluğa ayarlayın.	

SORUN GİDERME

Bir servisi aramadan önce, burada verilen çözüm önerilerini deneyin.

Karşılaşılabilecek Sorun	Olası Nedenler	Çözüm
Lambalar çalışmıyor.	Buzdolabınız, değiştirilmesi gerekmeyen LED aydınlatma ile donatılmıştır.	Eğer buzdolabına elektrik gelmesine rağmen bir kapı veya çekmece açıldığında lambalar yanmıyorsa, yardım merkezini veya servisi arayın.
	Kapılar, 10 dakikadan daha uzun bir süredir açıktır.	Resetlemek için kapıları ve çekmeceyi kapatın ve yanması için geri açın.
	Kapı sivici, kapının açıldığını algılamıyordur.	Menteşe kapağının 7.62 cm (3") yakınında hiçbir mıknatıs veya elektronik cihaz bulunmadığından emin olun.
Sıcaklık Kontrolü Kullanıcı Arayüzü çalışmıyor.	Sıcaklık Kontrolü Kullanıcı Arayüzü uyku moduna geçmiştir.	Sıcaklık Kontrolü Kullanıcı Arayüzünü uyandırmak için, Kullanıcı Arayüzü üzerindeki herhangi bir düğmeye basın.
	Sıcaklık Kontrolü Kullanıcı Arayüzü düğmeleri iyi çalışmıyordur.	Düğmelerin resetlenebilmesi için buzdolabının gücünü kapatıp geri açın. Eğer sorun devam ederse, servisi veya yardım merkezini arayın.
	Sıcaklık Kontrolü Kullanıcı Arayüzüne elektrik gelmiyordur.	Kapı menteşesindeki elektrik bağlantısını kontrol edin.
Sıcaklık Kontrolü Kullanıcı Arayüzünde ayar yapılamıyor.	Kapı açıktır ve Kapı aralık alarmı aktive edilmiştir.	Kapıyı kapatın.
Olağandışı Ses		
Normal buzdolabı seslerini dinlemek için, markanın web sitesindeki Product Help/FAQ (Ürün Yardımı/Sık Sorulan Sorular) bölümünü ziyaret edin ve "normal sounds" (normal sesler) aramasını yapın. Aşağıda, bazı normal sesler açıklamalarıyla verilmiştir.		
Buzdolabı gürültülü çalışıyor.	Yeni buzdolabınızdaki kompresör, daha az enerji kullanırken sıcaklığı daha etkin bir şekilde ayarlamakta ve sessiz çalışmaktadır.	Çalışma gürültüsündeki bu azalmadan ötürü, aslında normal olan olağandışı sesler fark edebilirsiniz.
Beklenenden daha uzun süre çalışan kompresör sesi.	Yüksek verimli kompresörler ve fanlar.	Boyutu ve verimi yüksek buzdolapları, enerji verimi yüksek düşük hızlarda daha uzun süre çalışır.
Titreme Sesi/Vızıltı	Kompresörün normal çalışması esnasında fanlar/kompresör performansı optimize etmek için ayarlamalar yapıyordur.	Bu normaldir.
Tıkırtı	İç panellerin büzülmesi/genleşmesi, özellikle ilk soğutma esnasında.	Bu normaldir.
Islık/Damlama Sesi	Kompresördeki soğutucu madde akışı veya yağ akışı.	Bu normaldir.
Titreşim	Buzdolabı dengeli durumda olmayabilir.	Seviye düzleme vidalarından ayarlayın ve düzleme ayağını yere tam basacak şekilde alçaltın. "Buzdolabının Düzlük Ayarlaması ve Kapının Kapanması" bölümüne bakın.
Cızırtı	Buz çözme işlemi esnasında suyun ısıtıcı üzerine damlaması.	Bu normaldir.
Su akma sesi/Lıkırtı	Buz çözme esnasında buz erirken ve su tahliye tepsisine akarken işitilebilir.	Bu normaldir.

SORUN GİDERME

Bir servisi aramadan önce, burada verilen çözüm önerilerini deneyin.

Karşılaşılabilecek Sorun	Olası Nedenler	Çözüm
Sıcaklık ve Nem		
Sıcaklık çok yüksek.	Buzdolabı henüz yeni monte edilmiştir.	Buzdolabının tam olarak soğuması için kurulumun ardından 24 saat bekleyin.
	Kumandalar, ortam koşullarına uygun olarak ayarlanmamıştır.	Kumandaları bir kademe daha soğuk ayara getirin. Sıcaklığı 24 saat içinde kontrol edin. "Kumandaların Kullanımı" bölümüne bakın.
	Kapı(lar) sıkça açılıyordur veya tam olarak kapanmamıştır. Sıcak havanın buzdolabına girmesine neden olur.	Kapak açma miktarını minimuma indirin ve kapakları tam kapalı halde tutun.
	Kısa bir süre önce büyük miktarda sıcak yiyecek/ yemek konmuştur.	Buzdolabının normal sıcaklığa gelmesi için birkaç saat bekleyin.
	Demo modu aktiftir.	Demo modunu kapatın. "Kumandaların Kullanımı" bölümüne bakın.
	Tatil modu aktiftir.	Tatil modunu kapatın. "Kumandaların Kullanımı" bölümüne bakın.
Buzdolabındaki/sebzelikteki ısı çok soğuk.	Buzdolabı havalandırma menfez(ler)i tıkalıdır.	Soğutucu bölmesinin arka orta kısmında bulunan hava menfezi doğrudan önüne konulan eşyalar nedeniyle tıkanmışsa/kapanmışsa, buzdolabı çok soğuk olacaktır. Bu eşyaları hava menfezinden uzaklaştırın.
	Kumandalar, ortam koşullarına uygun olarak ayarlanmamıştır.	Kumandaları bir kademe daha sıcak ayara getirin. Sıcaklığı 24 saat içinde kontrol edin. "Kumandaların Kullanımı" bölümüne bakın.
Sıcaklık kontrollü çekmecedeki ısı çok soğuk.	Kumanda, çekmecedeki saklanan yiyecekler için doğru ayarlanmamıştır.	Sıcaklık ayarını yapın. "Buzdolabı Kullanımı" bölümündeki "Kumandaların Kullanımı" başlığına bakın.
İç kısımda yoğuşma birikimi var. NOT: Bazı nem oluşumları normaldir.	Oda/ortam nemlidir.	Nemli bir ortam, yoğuşma oluşumuna katkı yapar.
	Kapı(lar) sıkça açılıyordur veya tam olarak kapanmamıştır. Nemli havanın buzdolabına girmesine neden olmaktadır.	Kapıları açma sıklığını azaltın ve kapıları tam olarak kapatın.
	Kapının (kapıların) kapanması engelleniyordur.	Yiyecek paketlerini kapıdan uzaklaştırın.
	Bir kap veya raf yerinde değildir.	Kapı veya rafı doğru konumuna getirin.
	Sıvıların ağzı açık kaplarda saklanması.	Bu, buzdolabının içindeki nemi artırır. Tüm kapları sıkıca kapalı tutun.
Dondurucu bölümünde kar/ buz oluşumu var.	Kapı sık açılıyordur veya açık kalıyordur.	Kapıları açma sıklığını azaltın ve kullandıktan sonra çekmeceyi tam olarak kapatın.
	Kapının contası kötü durumdadır.	Kapı contalarının, uygun bir sızdırmazlık sağlamak üzere buzdolabı kabine tam temas ettiğinden emin olun.
	Sıcaklık kumandaları doğru ayarlanmamıştır.	Önerilen sıcaklık ayarları için "Kumandaların Kullanımı" bölümüne bakın.

SORUN GİDERME

Bir servisi aramadan önce, burada verilen çözüm önerilerini deneyin.

! UYARI



Patlama Tehlikesi

Yanıcı olmayan temizlik maddesi kullanın.

Aksi halde, ölüm, patlama veya yangın ile sonuçlanabilir.

Kapıların nasıl ayarlanacağını ve hizalanacağını gösteren bir animasyon izlemek için, markanın web sitesindeki Product Help/FAQ (Ürün Yardımı/Sık Sorulan Sorular) bölümünü ziyaret edin ve “Door Closing and Door Alignment” (Kapının Kapanması ve Kapı Hizalaması) aramasını yapın

Karşılaşılabilecek Sorun	Olası Nedenler	Çözüm
Kapılar		
Kapılar tam kapanmıyor.	Kapının kapanması engelleniyordur.	Yiyecek paketlerini kapıdan uzaklaştırın.
	Bir kap veya raf yerinde değildir.	Kapı veya rafı doğru konumuna getirin.
	Yeni monte edilmiştir	Tüm ambalaj malzemelerini çıkartın.
Kapılar zor açılıyor.	Kapı contaları kirli veya yapışkan haldedir.	Contaları ve temas yüzeylerini nazik sabun ve ılık su çözeltisiyle silin. Durulayın ve yumuşak bezle kurulayın.
Kapılar hizalı görünmüyor.	Kapıların hizalanması veya buzdolabının düz hale getirilmesi gereklidir.	Eğer kapıların hizalanması gerekiyorsa, lütfen servisi arayın.
Buzdolabı dengede değil veya kapıları açarken ve kapatırken ileri doğru hareket ediyor.	Buzdolabının fren ayakları zemine tam basmıyordur.	Her iki fren ayağını da (her yanda bir tane), zemine tam basana kadar saatin tersi yönde ve aynı miktarda döndürün. “Buzdolabının Düzlük Ayarlaması ve Kapının Kapanması” bölümüne bakın.

Inhoud

VEILIG GEBRUIK VAN DE KOELKAST	177
Op de juiste manier afvoeren van uw oude koelkast	180
ONDERDELEN EN KENMERKEN	181
INSTALLATIE-INSTRUCTIES	182
Aan de slag	182
De koelkast uitpakken	182
Vereisten m.b.t. de locatie	183
Elektrische vereisten	183
Deuren van de koelkast verwijderen en terugplaatsen	185
De vriezerdeur/Flexi Freeze-deur verwijderen en terugplaatsen	187
De koelkast waterpas zetten	188
Gebruik van het bedieningspaneel.....	189
Verlichting van de koelkast	190
GEBRUIK VAN DE KOELKAST	191
De deuren openen en sluiten.....	191
Bewaren van voedsel.....	191
SCHAPPEN, VAKKEN EN LADES	192
Bewaarvakken in de vriezer	193
Betekenis van geluidssignalen	193
Accessoires.....	193
Assistentie of onderhoud.....	193
ONDERHOUD VAN DE KOELVRIEZER	194
Reiniging	194
Verlichting.....	195
Verzorging bij vakantie en verhuizing	195
PROBLEMEN OPLOSSEN	196

VEILIG GEBRUIK VAN DE KOELKAST

Uw veiligheid en die van anderen is van het grootste belang.

Daarom hebben wij in deze handleiding en op het apparaat een groot aantal belangrijke veiligheidswaarschuwingen opgenomen. Lees altijd alle veiligheidswaarschuwingen en houd u hieraan.



Dit symbool staat voor een veiligheidswaarschuwing.

Het wijst u op gevaren met mogelijk ernstige of dodelijke gevolgen voor u en anderen.

Alle veiligheidsberichten staan achter het waarschuwingssymbool en het woord "GEVAAR" of het woord "WAARSCHUWING."

Die woorden hebben de volgende betekenis:

 **GEVAAR**

U kunt gedood worden of ernstig gewond raken als u de aanwijzingen niet onmiddellijk opvolgt.

 **WAARSCHUWING**

U kunt gedood worden of ernstig gewond raken als u de aanwijzingen niet opvolgt.

Alle veiligheidsberichten vertellen u om welk potentieel gevaar het gaat, hoe de kans op letsel te beperken en wat de gevolgen kunnen zijn als u de aanwijzingen niet opvolgt.

VEILIGHEIDSINSTRUCTIES

Lees deze veiligheidsinstructies voordat u het apparaat gebruikt. Houd ze bij de hand voor raadpleging in de toekomst. Deze instructies en het apparaat zelf bevatten belangrijke veiligheidswaarschuwingen die te allen tijde moeten worden nageleefd. De fabrikant wijst elke aansprakelijkheid af bij niet-naleving van deze veiligheidsinstructies, bij oneigenlijk gebruik van het apparaat of een verkeerde instelling van de bedieningselementen.

⚠ Zeer jonge kinderen (0-3 jaar) moeten uit de buurt van het apparaat worden gehouden. Jonge kinderen (3-8 jaar) moeten uit de buurt van het apparaat worden gehouden, tenzij ze voortdurend onder toezicht staan. Kinderen van 8 jaar en ouder en personen met verminderde lichamelijke, zintuigelijke of geestelijke vermogens of gebrek aan ervaring en kennis mogen dit apparaat alleen gebruiken als ze onder toezicht staan of als ze instructies hebben gekregen over veilig gebruik en de gevaren van het gebruik begrijpen. Kinderen mogen niet spelen met het apparaat. Reiniging en onderhoud mogen niet door kinderen zonder toezicht worden uitgevoerd.

TOEGESTAAN GEBRUIK

⚠ LETOP: Het apparaat is niet bedoeld om te worden gebruikt via een externe schakelapparaat, zoals een timer, of een apart systeem met afstandsbediening.

⚠ Dit apparaat is bedoeld voor gebruik in huishoudelijke en vergelijkbare toepassingen zoals: personeelskeukens in winkels, kantoren en andere werkomgevingen; boerderijen; door klanten in hotels, motels, bed & breakfasts en andere verblijfsomgevingen.

⚠ Dit apparaat is niet bedoeld voor professioneel gebruik. Gebruik het apparaat niet buiten.

⚠ Het apparaat is ontworpen voor gebruik op plaatsen met een omgevingstemperatuur binnen de volgende grenswaarden, overeenkomstig de op het typeplaatje vermelde klimaatklasse. Bij langdurige blootstelling aan temperaturen buiten de vermelde grenswaarden werkt het apparaat mogelijk niet naar behoren.

Klimaatklasse omg. temp. (°C)

SN: Van 10 tot 32 °C; N: Van 16 tot 32 °C

ST: Van 16 tot 38 °C; T: Van 16 tot 43 °C

⚠ Dit apparaat bevat geen CFK's. Het koelcircuit bevat R600a (HC). Apparaten met isobutaan (R600a): isobutaan is een aardgas dat geen effect op het milieu heeft maar wel ontvlambaar is. Zorg er daarom voor dat de leidingen van het koelcircuit niet beschadigd worden, vooral bij het legen van het koelcircuit.

⚠ WAARSCHUWING: Beschadig de leidingen van het koelcircuit niet.

⚠ WAARSCHUWING: Houd ventilatieopeningen, in de behuizing van het apparaat of in het inbouwmeubel, vrij van obstakels.

BELANGRIJK OM TE LEZEN EN OP TE VOLGEN

⚠ WAARSCHUWING: Gebruik alleen door de fabrikant aanbevolen mechanische, elektrische of chemische middelen om het ontdooien te bespoedigen.

⚠ WAARSCHUWING: Gebruik of plaats geen elektrische apparaten in het apparaat, tenzij ze van een type zijn dat uitdrukkelijk is goedgekeurd door de fabrikant.

⚠ WAARSCHUWING: Ijsblokjesmakers en/of waterdispensers die niet rechtstreeks op de waterleiding zijn aangesloten, mogen alleen worden gevuld met drinkwater.

⚠ WAARSCHUWING: Automatische ijsblokjesmakers en/of waterdispensers mogen alleen worden aangesloten op een waterleiding met drinkwater, met een waterdruk tussen de 0,17 en 0,81 MPa (1,7 en 8,1 bar).

⚠ Bewaar geen explosievestoffen zoals spuitbussen met een brandbaar drijfgas in dit apparaat.

⚠ Slikde (niet-giftige) inhoud van de koelelementen (bijgeleverd bij sommige modellen) niet in. Consumeer ijsklontjes of ijslollies die zojuist uit de vriezer komen niet direct, dit om bevroeringsletsel te voorkomen.

⚠ Bij producten die ontworpen zijn met een luchtfilter binnen een toegankelijke ventilatieafdekking, moet het filter altijd op zijn plaats zitten als de koelkast in gebruik is.

⚠ Bewaar geen glazen potten met vloeistoffen in de vriezer, omdat deze kunnen breken. Zet geen voedsel voor de ventilator (indien aanwezig). Controleer na het plaatsen van voedsel of de deur van de vakken goed sluit, vooral de deur van de vriezer.

⚠ Beschadigde deurrubbers moeten zo snel mogelijk worden vervangen.

⚠ Gebruik de koelkast alleen voor het bewaren van vers voedsel en de vriezer alleen voor het bewaren van diepvriesproducten, het invriezen van vers voedsel en het maken van ijsblokjes.

⚠ Bewaar geen onverpakt voedsel in direct contact met de binnenste oppervlakken van de koelkast of vriezer. Apparaten hebben mogelijk speciale vakken (vak voor vers voedsel, nulgradenbox enz.). Tenzij anders aangegeven in het bijbehorende boekje bij het product kunnen deze worden verwijderd, waarbij de prestaties van het apparaat behouden blijven.

INSTALLATIE

⚠ Het apparaat moet worden verplaatst en geïnstalleerd door twee of meer personen - risico van letsel. Draag beschermende handschoenen bij het uitpakken en installeren - risico van snijwonden.

⚠ Installatie, met inbegrip van de wateraansluiting (indien aanwezig) en de elektrische aansluitingen en reparaties moeten worden uitgevoerd door een erkende monteur. Repareer of vervang geen enkel deel van het apparaat, tenzij dit specifiek vermeld is in de gebruikershandleiding. Houd kinderen uit de buurt van de installatieplaats.

Controleer na het uitpakken van het apparaat of het niet beschadigd is tijdens transport. Neem bij problemen contact op met de leverancier of met de dichtstbijzijnde Klantenservice. Na de installatie moet het verpakkingsafval (plastic, piepschuim enz.) buiten het bereik van kinderen worden bewaard - gevaar voor verstikking. Het apparaat moet worden losgekoppeld van de netvoeding voordat het geïnstalleerd wordt - gevaar voor elektrische schok. Zorg tijdens de installatie dat het apparaat de stroomkabel niet beschadigt - gevaar voor brand of elektrische schok. Zet het apparaat pas aan als de installatie voltooid is.

⚠ Wees voorzichtig zodat u de vloeren niet beschadigt (bv. parket) wanneer het u apparaat verplaatst. Installeer het apparaat op een vloer of steun die sterk genoeg is om het gewicht te kunnen dragen, en op een plaats die geschikt is voor de afmetingen en het gebruik. Zorg dat het apparaat niet in de buurt staat van een warmtebron en dat de vier poten stabiel staan en op de vloer rusten. Stel ze indien nodig af, en controleer of het apparaat perfect waterpas staat met behulp van een waterpas. Wacht ten minste twee uur voordat u het apparaat inschakelt, om te zorgen dat het koelcircuit volledig efficiënt werkt.

⚠ Laat ruimte aan beide kanten en boven het apparaat vrij om voldoende ventilatie te garanderen. De afstand tussen de achterkant van het apparaat en de muur achter het apparaat moet 50 mm zijn om toegang tot warme oppervlakken te vermijden. Een vermindering van deze afstand verhoogt het energieverbruik van het product.

⚠ **WAARSCHUWING:** Om gevaarlijke situaties als gevolg van instabiliteit te vermijden, moet de plaatsing of bevestiging van het apparaat plaatsvinden in overeenstemming met de instructies van de fabrikant. Het is verboden om de koelkast zodanig te plaatsen dat de metalen slang van een gasfornuis, metalen gas- of waterleidingen of elektrische kabels in contact komen met de achterwand van de koelkast (spoel van de condensator).

⚠ Als de deuren vervangen moeten worden, neem dan contact op met het Technische assistentiecentrum.

WAARSCHUWINGEN M.B.T. ELEKTRICITEIT

⚠ Het moet mogelijk zijn om het apparaat van de netvoeding af te sluiten door de stekker uit het stopcontact te trekken als deze toegankelijk is, of via een meerpolige schakelaar die bovenstrooms van het stopcontact geïnstalleerd is in overeenstemming met de bedradingsvoorschriften. Het apparaat moet worden geaard in overeenstemming met de nationale elektrische veiligheidsnormen.

⚠ Gebruik geen verlengsnoeren, stekkerdozen of adapters. De elektrische onderdelen mogen niet toegankelijk zijn voor de gebruiker na installatie. Gebruik het apparaat niet als u nat bent of op blote voeten loopt. Gebruik dit apparaat niet als de stroomkabel of stekker beschadigd zijn, als het niet goed werkt of als het beschadigd of gevallen is.

⚠ Als het netsnoer beschadigd is, moet dit worden vervangen door een identiek exemplaar door de fabrikant, zijn vertegenwoordiger of gekwalificeerd personeel om gevaarlijke situaties te voorkomen - gevaar voor elektrische schok.

⚠ **WAARSCHUWING:** Zorg ervoor dat het netsnoer niet vast komt te zitten of beschadigd wordt tijdens het plaatsen van het apparaat.


⚠ **WAARSCHUWING:** Plaats geen meervoudige draagbare stekkerdozen of draagbare stroomvoorzieningen aan de achterkant van het apparaat.

REINIGING EN ONDERHOUD

⚠ **WAARSCHUWING:** Zorg dat het apparaat uitgeschakeld en losgekoppeld is van de netvoeding voordat u onderhoudswerkzaamheden uitvoert; gebruik nooit stoomreinigers - gevaar van elektrische schok.

⚠ Gebruik voor de plastic onderdelen, de binnenkant en deurrubbers geen schurende of agressieve schoonmaakmiddelen zoals ruitensprays, schuurmiddelen, ontvlambare vloeistoffen, reinigende was, geconcentreerde reinigers, bleekmiddelen of schoonmaakmiddelen met aardolieproducten. Gebruik geen papieren handdoeken, schuursponsjes of andere agressieve reinigingshulpmiddelen.


AFVOEREN VAN VERPAKKINGSMATERIALEN

Het verpakkingsmateriaal is 100% recyclebaar en is gemarkeerd met het recycle-symbool .

De verschillende onderdelen van de verpakking moeten daarom op verantwoorde wijze worden afgevoerd en in overeenstemming met de plaatselijke voorschriften voor afvalverwijdering.

AFVOEREN VAN HUISHOUDELIJKE APPARATEN

Dit apparaat is gemaakt met recycleerbare of herbruikbare materialen. Voer het af overeenkomstig de plaatselijke voorschriften voor afvalverwijdering. Voor meer informatie over de behandeling, terugwinning en recycling van elektrische huishoudelijke apparaten kunt u terecht bij uw plaatselijke instantie, de dienst inzameling huishoudelijk afval of de winkel waar u het apparaat hebt gekocht. Dit apparaat is gemarkeerd conform Europese Richtlijn 2012/19/EU betreffende afgedankte elektrische en elektronische apparatuur (AEEA). Door ervoor te zorgen dat dit product op de juiste manier wordt afgevoerd, helpt u negatieve gevolgen voor het milieu en de volksgezondheid te voorkomen.

Het symbool  op het apparaat, of op de bijbehorende documenten, geeft aan dat het niet moet worden behandeld als huishoudelijk afval maar naar een geschikt inzamelcentrum voor de recycling van elektrische en elektronische apparatuur moet worden gebracht.

TIPS VOOR ENERGIEBESPARING

Installeer het apparaat op een droge, goedgeventileerde ruimte, uit de buurt van warmtebronnen (bv. verwarming, fornuis enz.) en op een plaats waar het niet in direct zonlicht staat. Gebruik indien nodig een isolatieplaat.

Volg de installatie-instructies om een goede ventilatie te garanderen. Onvoldoende ventilatie aan de achterkant van het product verhoogt het energieverbruik en verlaagt de koefficiëntie.

Het vaak openen van de deur kan tot een verhoging van het energieverbruik leiden. De binnentemperatuur van het apparaat en het energieverbruik kan ook worden beïnvloed door de omgevingstemperatuur, evenals door de plaats van het apparaat. Bij het instellen van de temperatuur moet rekening worden gehouden met deze factoren.

Doe de deur zo min mogelijk open.

Leg bevroren voedsel in de koelkast als u het wilt ontdooien. Door de lage temperatuur van de bevroren producten wordt het voedsel in de koelkast gekoeld. Laat warm voedsel en warme dranken afkoelen voordat u ze in het apparaat zet.

De plaatsing van de schappen in de koelkast heeft geen invloed op het efficiënte gebruik van energie. Voedsel moet zodanig op de schappen worden geplaatst dat de lucht goed kan circuleren (het voedsel mag elkaar niet raken en er moet een afstand tot de achterwand worden aangehouden).

U kunt de bewaarcapaciteit van ingevroren voedsel verhogen door manden en indien aanwezig het Stop Frost-schap te verwijderen.

Maak u geen zorgen over geluiden die uit de compressor komen; deze worden in de Beknopte handleiding van dit product als normale geluiden beschreven.



Op de juiste manier afvoeren van uw oude koelkast

⚠ WAARSCHUWING

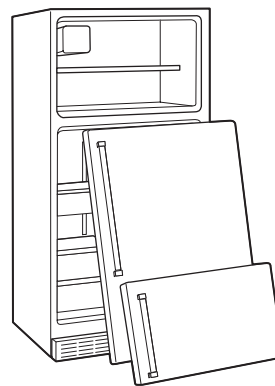
Gevaar voor verstikking

Verwijder de deuren van uw oude koelvriezer. Anders bestaat er gevaar voor verstikking of hersenbeschadiging.

BELANGRIJK: Voorkom dat kinderen worden blootgesteld aan het risico van beknelling of verstikking. Afgedankte of achtergelaten koelkasten vormen altijd een gevaar—ook als het om “maar een paar dagen” gaat. Volg daarom deze aanwijzingen bij het afvoeren van uw oude koelkast om ongelukken te helpen voorkomen.

Doe het volgende voordat u uw oude koelkast of vriezer afvoert:

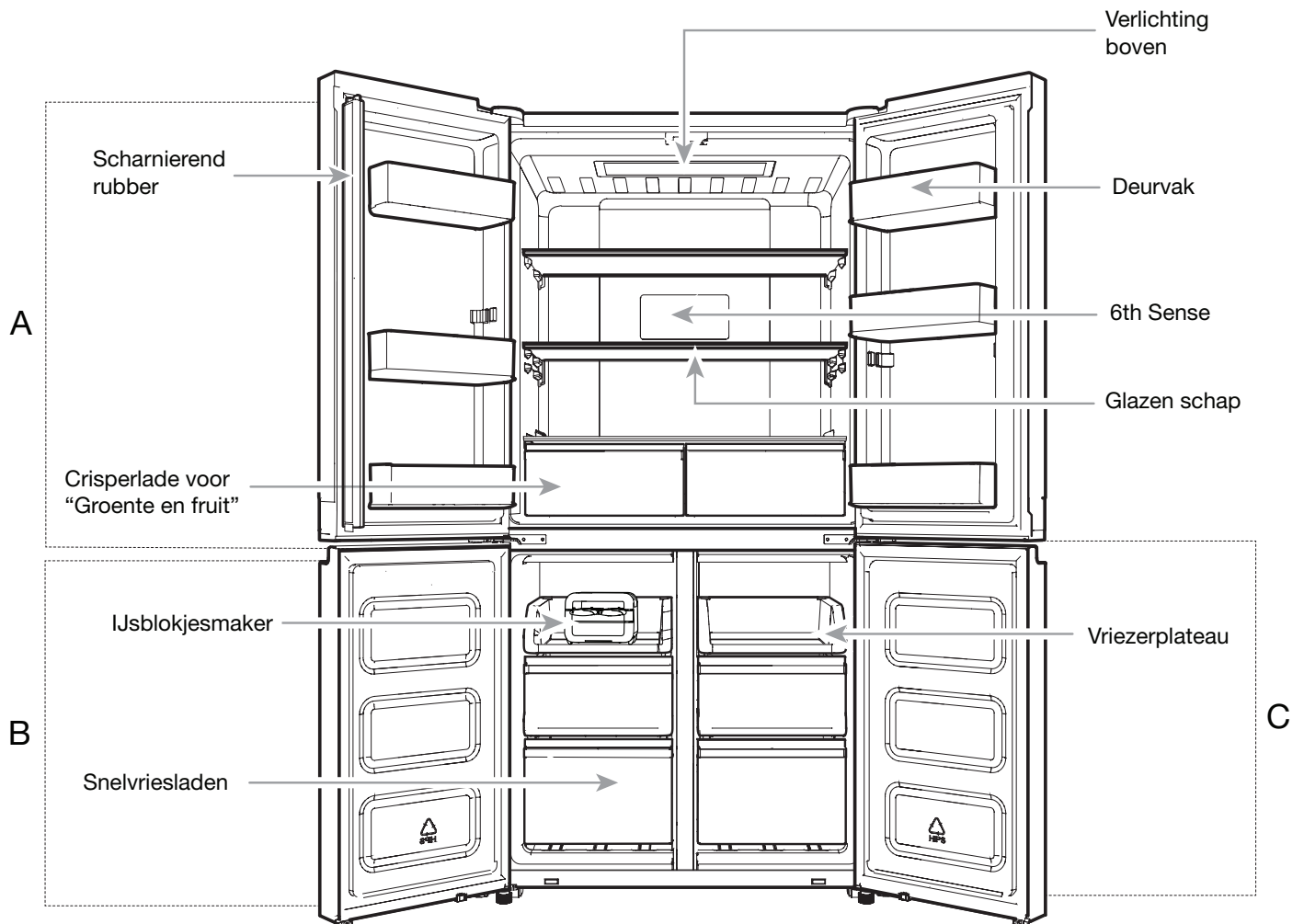
- Verwijder de deuren.
- Laat de schappen op hun plaats: zo maakt u het kinderen lastiger om naar binnen te klimmen.



Belangrijke informatie over de afvoer van koelmiddelen:

Voer koelmiddel af overeenkomstig de nationale en plaatselijke voorschriften. Koelmiddelen moeten door een bevoegde technicus worden afgevoerd overeenkomstig de voorgeschreven procedures.

ONDERDELEN EN KENMERKEN



- A . Koelkast
- B . Vriezer
- C . Flexi Freeze (alleen bij WQ9 B1L, 6WM24NIHAS en WQ70900SXX)

INSTALLATIE-INSTRUCTIES

Aan de slag CHECKLIST INSTALLATIE

✓ Elektrische stroom

⚠ WAARSCHUWING



Gevaar voor elektrische schok

Sluit het apparaat aan op een geaard stopcontact.

Verwijder het aardcontact niet.

Gebruik geen adapter.

Gebruik geen verlengsnoer.

Het niet opvolgen van deze instructies kan leiden tot overlijden, brand of een elektrische schok.

- Sluit de koelkast aan op een geaard stopcontact.
- ✓ **Deuren**
 - Zie de paragrafen “Deuren van de koelkast verwijderen en terugplaatsen” en “Front van de vrieslade verwijderen en terugplaatsen”.
 - De deuren sluiten volledig af.
 - Het apparaat staat waterpas. Draai de stelvoetjes tot ze stevig contact maken met de vloer.
 - De deuren lopen aan bovenzijde gelijk. (Gebruik zo nodig de uitlijnfunctie).
- ✓ **Eindcontroles**
 - Verwijder al het verpakkingsmateriaal.
 - Stel de temperatuur in op de aanbevolen waarde.
 - Bewaar de aanwijzingen en overige documentatie.
 - Om volledige assistentie te krijgen, gelieve uw product te registreren op www.whirlpool.eu/register.

De koelkast uitpakken

⚠ WAARSCHUWING

Gevaarlijk gewicht

Verplaats en installeer de koelvriezer met twee of meer mensen.

Doet u dit niet, dan kan rugletsel of ander letsel het gevolg zijn.

Bezorging van het apparaat

De deuropening dient minimaal 838 mm te zijn. Bij een deuropening van 914 mm of minder moeten de deuren, de lade en de scharnieren worden verwijderd.

Rijd de koelvriezer zijwaarts door alle deuropeningen.

Het verplaatsen van uw koelvriezer:

Uw koelvriezer is een zwaar apparaat. Bij verplaatsing voor schoonmaak of onderhoud dient u de vloer af te dekken met karton of hardboard om de vloer niet te beschadigen. Trek het apparaat altijd in rechte lijn van zijn plaats. Probeer het niet te verplaatsen door het heen en weer te bewegen of te kantelen, omdat de vloer dan kan beschadigen.

Verwijder al het verpakkingsmateriaal

- Verwijder alle achtergebleven tape- en lijmresten van het apparaat voordat u het aanzet. Wrijf met uw vingers een klein beetje afwasmiddel over de lijm. Veeg af met warm water en droog na.
- Gebruik geen scherpe voorwerpen, alcohol, ontvlambare vloeistoffen of schurende reinigingsmiddelen om tape of lijm te verwijderen. Daarmee kunt u het oppervlak van uw koelvriezer beschadigen.
- Voer alle verpakkingsmaterialen af of bestem ze voor hergebruik.

Reinigen voor eerste gebruik

Maak nadat u al het verpakkingsmateriaal hebt verwijderd, de binnenkant van de koelvriezer schoon voordat u hem in gebruik neemt. Zie de aanwijzingen voor reiniging onder “Onderhoud van de koelvriezer”.

Belangrijke informatie over glazen plateaus en afdekplaten:

Reinig glazen plateaus en afdekplaten niet met warm water wanneer zij koud zijn. Plateaus en afdekplaten kunnen kapotgaan als zij plotseling van temperatuur veranderen of hard in aanraking komen met voorwerpen.

Gehard glas is zo gemaakt dat het bij breuk uiteenvalt in een groot aantal kleine stukjes ter grootte van een kiezelsteen. Dit is normaal. Glazen plateaus en afdekplaten zijn zwaar. Houd ze bij het uitnemen met beide handen vast om te voorkomen dat u ze laat vallen.

Vereisten m.b.t. de locatie

⚠ WAARSCHUWING



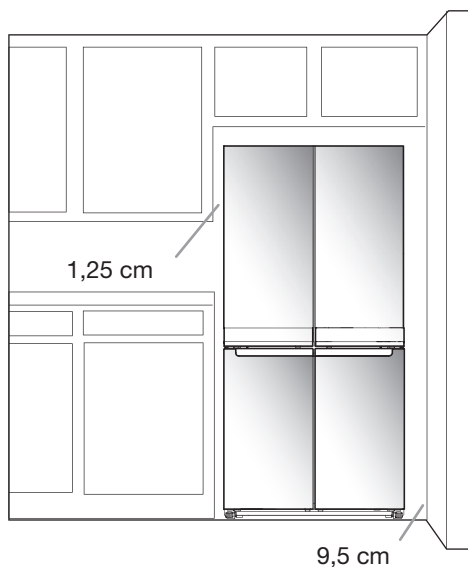
Gevaar voor ontploffing

Houd ontvlambare materialen en dampen, zoals benzine, uit de buurt van de koelvriezer.

Anders bestaat er gevaar voor ontploffing en/of brand met mogelijk fatale gevolgen.

Aan weerszijden en boven het apparaat moet ten minste 1,25 cm vrij worden gelaten om te zorgen voor voldoende ventilatie. Aan de achterzijde moet de vrije ruimte minimaal 5 cm bedragen. Als uw koelvriezer voorzien is van een ijsmaker, dient u aan de achterzijde extra ruimte vrij te laten voor de wateraansluiting. Bij installatie tegen een vaste wand moet de ruimte tussen het apparaat en de wand minimaal 9,5 cm bedragen, zodat de deur goed kan worden geopend.

OPMERKING: Deze koelvriezer is bedoeld voor gebruik op een locatie waar de temperatuur tussen minimaal 10°C en maximaal 43°C ligt. Het aanbevolen temperatuurbereik voor optimale prestaties, waarbij het elektriciteitsverbruik verminderd wordt en superieure koeling wordt geleverd, is tussen de 15°C en 32°C. Het verdient aanbeveling de koelvriezer niet in de nabijheid van een oven, radiator of andere warmtebron te plaatsen.



Elektrische vereisten

⚠ WAARSCHUWING



Gevaar voor elektrische schok

Sluit het apparaat aan op een geaard stopcontact.

Verwijder het aardcontact niet.

Gebruik geen adapter.

Gebruik geen verlengsnoer.

Het niet opvolgen van deze instructies kan leiden tot overlijden, brand of een elektrische schok.

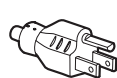
BELANGRIJK: De installatie en de elektrische aansluitingen moeten door een gekwalificeerde monteur worden uitgevoerd volgens de aanwijzingen van de fabrikant en de plaatselijke veiligheidsvoorschriften.

- De koelkast moet worden aangesloten op een netvoeding van 220-240 volt, 10 A, 50/60 Hz.
- Zorg ervoor dat de spanning op het typeplaatje overeenkomt met de netspanning bij u thuis.
- Het moet mogelijk zijn het apparaat los te koppelen van de stroomvoorziening door de stekker uit het stopcontact te halen of met een tweepolige schakelaar vóór het stopcontact.
- Als het netsnoer beschadigd is, moet dit worden vervangen door de fabrikant, zijn vertegenwoordiger of gekwalificeerd personeel om gevaarlijke situaties te voorkomen.

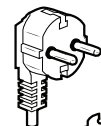
Voordat het apparaat op zijn definitieve plaats komt te staan, is het belangrijk te controleren of de elektrische aansluiting geschikt is:

Aanbevolen aardingsmethode

Een geaarde netvoeding van 220-240 volt 50 Hz, 220 volt 60 Hz of 230/240 volt 50 Hz, alleen wisselstroom met een zekering van 10 A is vereist.



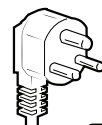
Type B



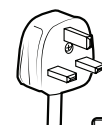
Type E en F



Type I



Type M



Type G

Voor Australië en Nieuw-Zeeland:

Uw nieuwe apparaat is speciaal zo gemaakt dat het voldoet aan alle Australische normen en voorwaarden.

Sommige opmerkingen in de aanwijzingen voor installatie kunnen verwijzen naar elektrische vereisten in andere landen, zodat we u daar uitdrukkelijk op wijzen.

Uw apparaat mag alleen worden aangesloten op een geaard stopcontact van 230/240 volt 50 Hz, alleen wisselstroom, 10 A.

Elektrische vereisten (alleen Groot-Brittannië en Ierland)

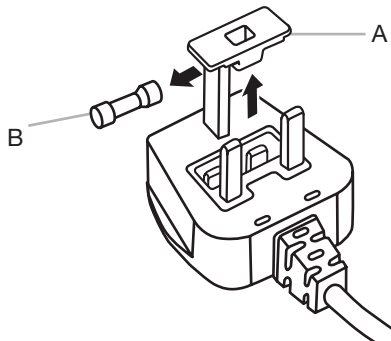
BELANGRIJK: Dit apparaat moet geaard zijn.

De zekering vervangen

Als het netsnoer van deze koelvriezer voorzien is van een stekker van het type BS1363A met een zekering van 13 A, gebruik dan een door A.S.T.A. goedgekeurde zekering voor het type BS 1362 om een zekering in dit type stekker te vervangen en ga als volgt te werk:

1. Verwijder het afdekkapje (A) en de zekering (B).
2. Plaats de nieuwe 13 A zekering in het afdekkapje.
3. Plaats het afdekkapje met de zekering terug in de stekker.

BELANGRIJK: Bij vervanging van een zekering moet ook het afdekkapje worden teruggeplaatst. Als het afdekkapje kwijtraakt, mag de stekker pas worden gebruikt nadat een ander passend afdekkapje is aangebracht. Of een afdekkapje geschikt is, kan worden vastgesteld aan de hand van de kleur of het gekleurde "woord" aan de onderzijde van de stekker. Nieuwe afdekkapjes zijn te koop bij uw plaatselijke elektriciteitswinkel.



A. Afdekkapje zekering

B. Zekering

(Alleen) voor Ierland:

De voor Groot-Brittannië gegeven informatie is veelal van toepassing maar er is nog een derde type stekker en stopcontact in gebruik: het 2-polige type met randaarde.

Stopcontact/stekker (geldt voor beide landen):

Als de gemonteerde stekker niet geschikt is in uw stopcontact, kunt u contact opnemen met Aftersales voor nadere aanwijzingen. Probeer de stekker niet zelf te verwisselen. Dat moet worden gedaan door een gekwalificeerde monteur overeenkomstig de aanwijzingen van de fabrikant en de vigerende standaardveiligheidsvoorschriften.

Temperatuur

Dit apparaat is ontworpen voor gebruik op plaatsen met een temperatuur binnen de volgende grenswaarden, overeenkomstig de op het typeplaatje vermelde klimaatklasse. Bij langdurige blootstelling aan temperaturen buiten de vermelde grenswaarden werkt de koelvriezer mogelijk niet naar behoren.

OPMERKING: Het verdient aanbeveling de koelvriezer niet in de nabijheid van een oven, radiator of andere warmtebron te plaatsen.

Klimaatklasse	Omg. temp. (°C)	Omg. temp. (°F)
SN	10 - 32	50 - 90
N	16 - 32	61 - 90
ST	16 - 38	61 - 100
T	16 - 43	61 - 110

Deuren van de koelkast verwijderen en terugplaatsen

OPMERKING: Meet hoe breed uw deuropening is om na te gaan of het nodig is de deuren van de koelkast te verwijderen voordat hij bij u thuis naar binnen kan. Mocht het nodig zijn de deuren van het apparaat te verwijderen, volg dan onderstaande aanwijzingen.

BELANGRIJK: Als het apparaat al was geïnstalleerd en u het wilt overbrengen naar een plaats buiten uw huis, zet u allereerst de thermostaat van de koelkast op nul. Haal de stekker uit het stopcontact of schakel de stroom uit. Haal de levensmiddelen en verstelbare vakken uit de deuren.

Houd het benodigde gereedschap bij de hand en lees alle aanwijzingen door voordat u de deuren verwijdert.

BENODIGD GEREEDSCHAP: Dopsleutel van 6 mm, dopsleutel van 5 mm en een kruiskopschroevendraaier nr. 2.



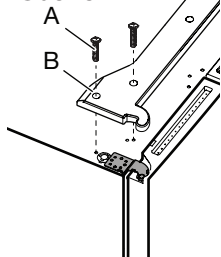
⚠ WAARSCHUWING

Gevaar voor elektrische schok

Haal de stekker uit het stopcontact voordat u de deuren verwijdert.

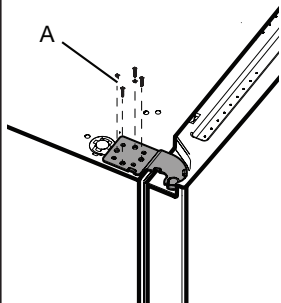
Anders bestaat er gevaar voor elektrische schok met mogelijk fatale gevolgen.

Afdekking scharnier linksboven



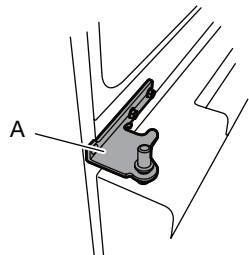
A. Schroeven van afdekking bovenscharnier
B. Afdekking bovenscharnier

Scharnier linksboven



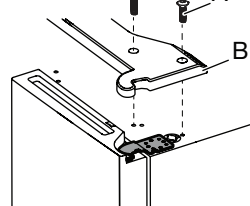
A. Inbusschroeven van 5 mm

Scharnier links midden



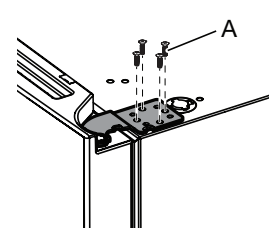
A. Scharnier

Afdekking scharnier rechtsboven



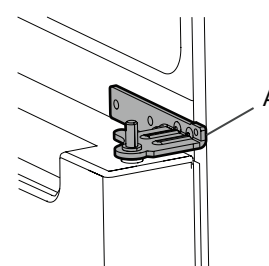
A. Schroeven van afdekking bovenscharnier
B. Afdekking bovenscharnier

Scharnier rechtsboven

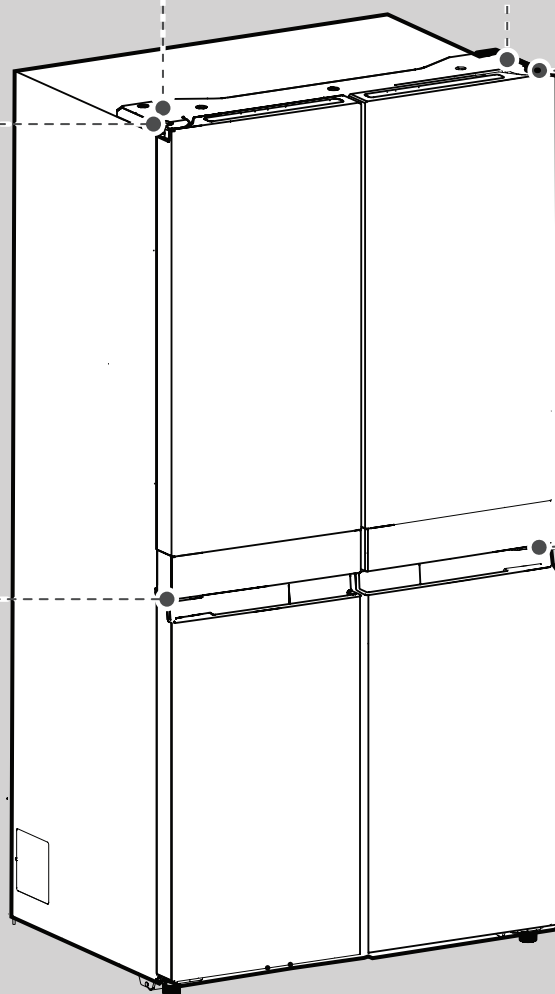


A. Inbusschroeven van 5 mm

Scharnier rechts midden



A. Scharnier



⚠ WAARSCHUWING

Gevaarlijk gewicht

Til de koelkastdeur met twee of meer mensen.

Doet u dit niet, dan kan rugletsel of ander letsel het gevolg zijn.

Deuren van de koelkast verwijderen

⚠ WAARSCHUWING



Gevaar voor elektrische schokken

Haal de stekker uit het stopcontact voordat u de deuren verwijdert.

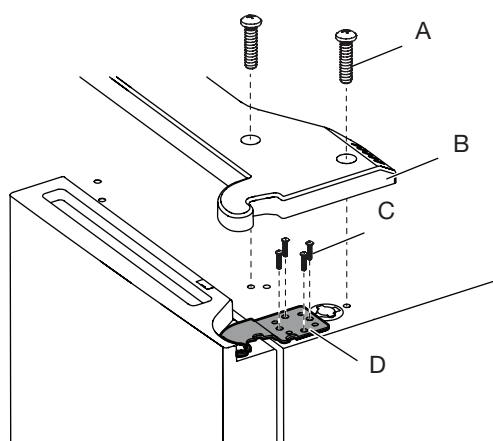
Anders bestaat er gevaar voor elektrische schok met mogelijk fatale gevolgen.

Rechterdeur verwijderen

1. Haal de stekker uit het stopcontact of schakel de stroom uit.
2. Houd de deuren van de koelkast gesloten tot u klaar bent om ze ervan af te tillen.

OPMERKING: Zorg voor extra ondersteuning van de deur wanneer u bezig bent de scharnieren te verwijderen. De magneten van de deurrubbers zijn onvoldoende om de deuren dan op hun plaats te houden.

3. Verwijder de afdekkap van het bovenscharnier met een kruiskopschroevendraaier.
4. Verwijder de vier schroeven van het bovenscharnier met een dopsleutel van 5 mm en leg ze opzij.



A. Schroef van afdekkap bovenscharnier

B. Afdekkap van bovenscharnier

C. Inbusschroeven van 5 mm

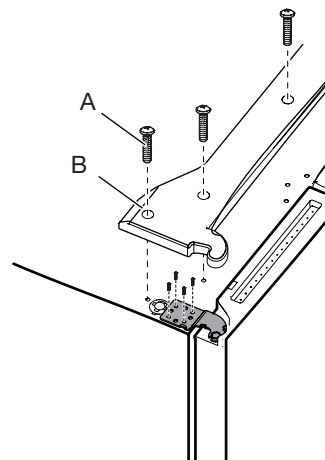
D. Bovenscharnier

5. Til de koelkastdeur van de middelste scharnieren. Het bovenscharnier komt samen met de deur los.

Linkerdeur verwijderen

BELANGRIJK: Omdat de bedrading van de gebruikersinterface door het scharnier van de linkerdeur lopen, moet u deze losmaken voordat u de deur verwijdert.

1. Verwijder de afdekkap van het bovenscharnier met een kruiskopschroevendraaier.

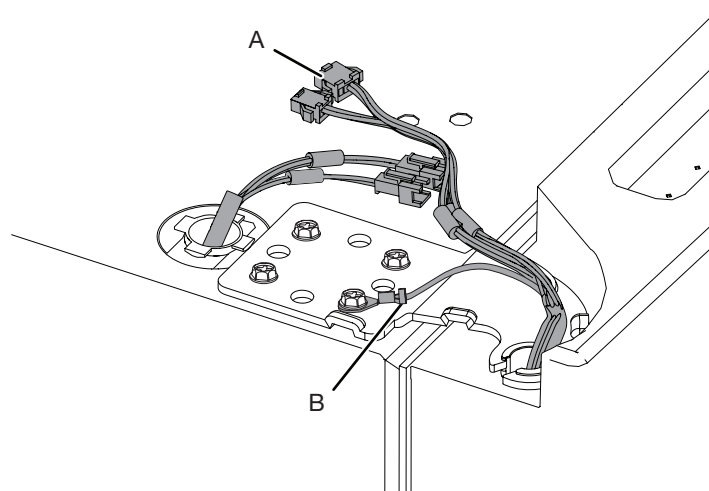


A. Schroef van afdekkap bovenscharnier

B. Afdekkap van bovenscharnier

2. Maak de twee bedradingspluggen op het scharnier los.

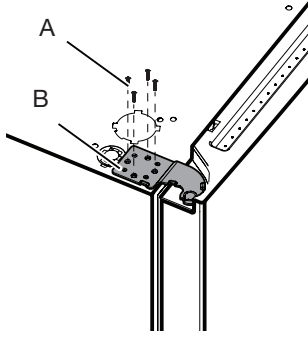
- Pak de bedradingspluggen aan beide zijden vast. Druk de plug met uw linkerduim in om de vergrendeling los te maken en trek beide helften van de pluggen van elkaar.



A. Bedradingsplug

B. Aardaansluiting

3. Verwijder de vier binnenste schroeven van het bovenscharnier met een dopsleutel van 5 mm en leg ze opzij.



A. Inbusschroeven van 5 mm
B. Bovenscharnier

OPMERKING: Zorg voor extra ondersteuning van de deur wanneer u bezig bent de scharnieren te verwijderen. De magneten van de deurrubbers zijn onvoldoende om de deuren dan op hun plaats te houden.

4. Til de koelkastdeur van de onderste scharnieren. Het bovenscharnier komt samen met de deur los.

OPMERKING: Het is niet altijd nodig de onderscharnieren en remvoeten te verwijderen om de koelvriezer door de deur te krijgen.

- Gebruik alleen als het nodig is een dopsleutel van 6 mm en een kruiskopschroevendraaier nr. 2 om het middelste scharnier te verwijderen.

De rechterdeur van de koelkast terugplaatsen

1. Plaats de rechterdeur op de middelste scharnieren.
2. Steek de bovenscharnieren in de opening bovenin de deur van de koelkast.
3. Bevestig het scharnier aan de behuizing met vier inbusschroeven van 5 mm. Draai de schroeven niet helemaal aan.

De linkerdeur van de koelkast terugplaatsen

1. Plaats de linkerdeur op de middelste scharnieren.
2. Bevestig het scharnier aan de behuizing met vier inbusschroeven van 5 mm. Draai de schroeven niet helemaal aan.
3. Sluit de elektrische bedrading weer aan.
 - Duw beide helften van de bedradingsplug samen.
 - Sluit de aardedraad weer aan op de scharnierschroef.

Laatste handelingen

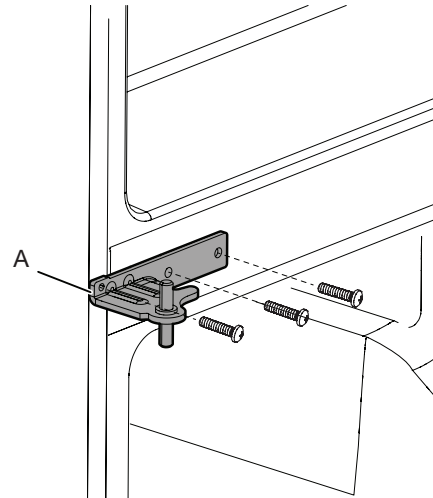
1. Draai de acht inbusschroeven van 5 mm volledig aan.
2. Plaats de afdekkappen van de bovenscharnieren terug.

De vriezerdeur/Flexi Freeze-deur verwijderen en terugplaatsen

1. Houd de deuren van de vriezer gesloten tot u klaar bent om ze ervan af te tillen.

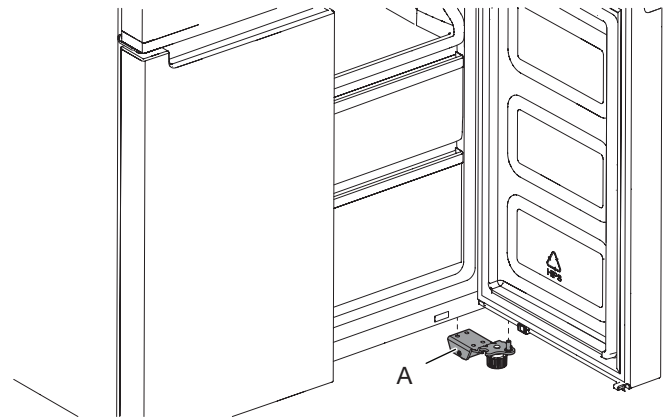
OPMERKING: Zorg voor extra ondersteuning van de deur wanneer u bezig bent de scharnieren te verwijderen. De magneten van de deurrubbers zijn onvoldoende om de deuren dan op hun plaats te houden.

- Verwijder het middelste scharnier van de behuizing met een kruiskopschroevendraaier nr. 2 en een dopsleutel van 6 mm.



A. Middelste scharnier

- Til de vriezerdeur van de onderscharnieren.



A. Onderscharnier

⚠ WAARSCHUWING



Gevaar voor elektrische schok

Sluit het apparaat aan op een geaard stopcontact.

Verwijder het aardcontact niet.

Gebruik geen adapter.

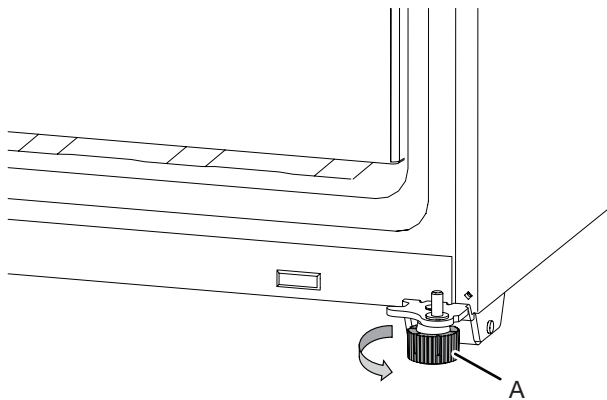
Gebruik geen verlengsnoer.

Het niet opvolgen van deze instructies kan leiden tot overlijden, brand of een elektrische schok.

1. Sluit het apparaat aan op een geaard stopcontact.
2. Plaats alle verwijderbare onderdelen en levensmiddelen terug in de lade.

De koelkast waterpas zetten

1. Zet de koelkast op zijn definitieve plaats.
2. Draai de remvoeten met de hand. Draai ze naar links tot de rollen van de vloer zijn en beide remvoeten tegen de vloer drukken. Dit voorkomt dat de koelvriezer naar voren rijdt wanneer u de deuren opent.



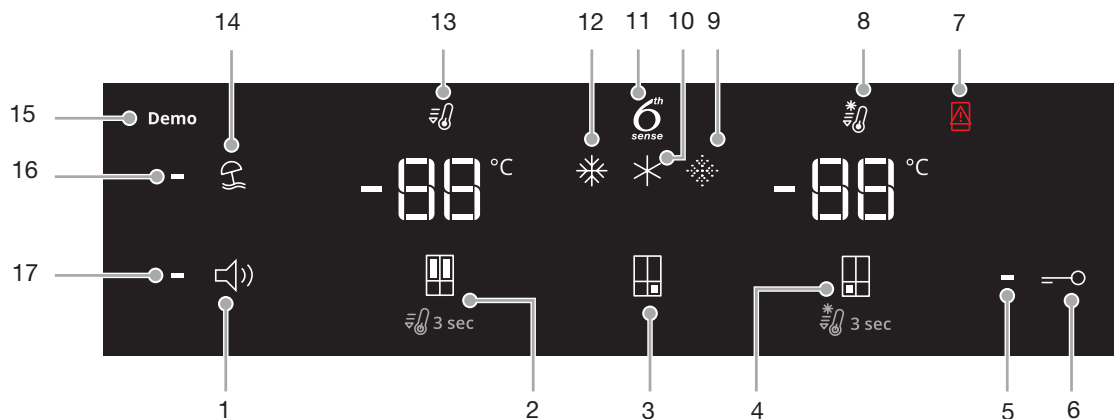
A. Remvoeten

BELANGRIJK: Als u de remvoeten nog verder moet afstellen, houd het apparaat dan waterpas door beide remvoeten gelijkmatig te verdraaien.

3. Gebruik een waterpas om ervoor te zorgen dat de koelkast waterpas staat, zowel van zijkant naar zijkant als van achterkant naar voorkant.

Gebruik van het bedieningspaneel

De aanraaktoetsen bevinden zich op de linkerkant van de koelkastdeur. Het bedieningspaneel bevat informatie over verschillende knoppen en indicatielampjes. De temperatuurindicatoren van de koelkast en vriezer tonen de laatst ingestelde temperaturen.



1. Toets geluid AAN/UIT
2. Temperatuurtoets koelkast (3 sec. ingedrukt houden voor snelkoelen)
3. Temperatuurtoets Flexi Freeze (alleen bij WQ9 B1L, 6WM24NIHAS en WQ70900SXX)
4. Temperatuurtoets vriezer (3 sec. ingedrukt houden voor snelvriezen)
5. Indicatielampje toetsenblokkering
6. Toets toetsenblokkering
7. Indicatielampje deur open
8. Indicatielampje snelvriezen
9. Indicatielampje zacht vriezen (alleen bij WQ9 B1L, 6WM24NIHAS en WQ70900SXX)
10. Indicatielampje mild vriezen (alleen bij WQ9 B1L, 6WM24NIHAS en WQ70900SXX)
11. Indicatielampje 6th Sense
12. Indicatielampje hard vriezen (alleen bij WQ9 B1L, 6WM24NIHAS en WQ70900SXX)
13. Indicatielampje snelkoelen
14. Toets vakantiemodus
15. Indicatielampje demo-modus (alleen bij WQ9 B1L, 6WM24NIHAS en WQ70900SXX)
16. Indicatielampje vakantiemodus
17. Indicatielampje geluid

Het bedieningspaneel wordt automatisch uitgeschakeld nadat er één minuut niet op een toets is gedrukt. Druk op een willekeurige toets om het bedieningspaneel in te schakelen.

-88 Temperatuurinstellingen bekijken en wijzigen

De temperatuur van de koelkast en de vriezer wijzigen:

De temperatuurwaarden zijn in de fabriek vooringesteld om het u gemakkelijker te maken.

Controleer bij eerste installatie van uw koelvriezer of de instellingen nog steeds overeenkomen met de aanbevolen waarden. De door de fabrikant aanbevolen instelwaarden zijn 3°C voor de koelkast en -18°C voor de vriezer.

Door op de temperatuurtoets voor de koelkast of vriezer te drukken loopt u door de temperatuurinstellingen in graden Celsius (°C).

BELANGRIJK:

- Wacht 24 uur voordat u levensmiddelen in de koelkast zet. Als u producten in de koelkast bewaart voordat de ingestelde temperatuur is bereikt, kunnen uw levensmiddelen bederven.
OPMERKING: Instelling van de temperatuur onder de aanbevolen waarde leidt niet tot een snellere temperatuuurddaling.
- Als de temperatuur in de koelkast of de vriezer te hoog of te laag is, controleer dan of de ventilatieopeningen niet verstopt zijn voordat u een andere waarde instelt.
- De aanbevolen instellingen zouden geschikt moeten zijn voor normaal huishoudelijk gebruik. De temperatuur is goed ingesteld als melk of sap in de koelkast zo koud is als u dat wilt en consumptieijs stevig is wanneer u het uit de vriezer haalt.
OPMERKING: Ruimten zoals een garage, een kelder of een overdekte ruimte buiten kunnen vochtiger en veel warmer of kouder zijn. In dat geval kan het nodig zijn de temperatuur anders in te stellen dan de aanbevolen waarden.
- Wacht ten minste 24 uur voordat u weer een andere waarde instelt. Controleer de temperatuur voordat u opnieuw iets verandert.

6th Sense Fresh Lock en vriesbediening

De 6th SENSE Fresh Lock-sensor zorgt voor een nauwkeurige en constante temperatuurregeling om vers voedsel langer te kunnen bewaren, op de meest natuurlijke manier. Zodra er een temperatuurschommeling gedetecteerd wordt, activeert de sensor een compressor die de oorspronkelijke temperatuur snel herstelt. De 6th SENSE vriessensor beperkt temperatuurschommelingen in de vriezer tot een minimum dankzij een innovatie temperatuurbeheersysteem. Vriesbrandwonden worden verminderd en de kwaliteit en kleur van het voedsel blijven behouden.

* * * Flexi Freeze-instelling (alleen bij WQ9 B1L, 6WM24NIHAS en WQ70900SXX)

Met de Flexi Freeze-functie kunt u de vooraf ingestelde temperatuur voor het Flexi Freeze-vak instellen.

Symbol	Functie	Temperatuur
☼	Traditionele vriezer	-18°C
☼*	Milde vriezer	-12°C
☼*	Zachte vriezer	-7°C

* Om de koudste instelling (-20°C) in of uit te schakelen, houdt u de Flexi Freeze-temperatuurtoets 3 seconden ingedrukt. Wanneer de koudste instelling ingeschakeld is, branden alle drie de symbolen.

Multi-temperatuurinstelling wijzigen

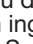

- Traditionele vriezer (-18°C): Reeds bevroren voedsel en vers voedsel (max. 12 maanden)
- Milde vriezer (-12°C): Reeds bevroren voedsel (max. 1 maand)
- Zachte vriezer (-7°C): Reeds bevroren voedsel (max. 1 week)
- Wanneer Flexible Freezer is ingesteld op -18°C of -20°C, dan worden zowel de Flexible Freezer-temperatuur als de Freezer-temperatuur ingesteld op de koudste instelling van de twee, of dat nu Freezer of Flexible Freezer is.
- De temperatuur van het Flexible Freezer-vak kan -7°C misschien niet bereiken wanneer de omgevingstemperatuur rond de 10°C of lager is.

Onderstaande tabel dient als richtlijn bij het veranderen van de instelwaarden:

CONDITIE	TEMPERATUURVERANDERING
Koelkast te koud	Instelling koelkast 1° hoger
Koelkast te warm	Instelling koelkast 1° lager
Vriezer te koud	Instelling vriezer 1° hoger
Vriezer te warm/te weinig ijs	Instelling vriezer 1° lager


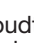
Snelkoelen

De snelkoelfunctie is handig wanneer de koelkast veel in gebruik en/of volledig gevuld is of wanneer het tijdelijk warm is in de ruimte waarin de koelkast staat.

- Om de functie Snelkoelen in te schakelen houdt u de temperatuurtoets voor de koelkast  3 seconden ingedrukt. Als de functie ingeschakeld is, gaat het symbool Snelkoelen branden. De functie Snelkoelen blijft 2 uur in werking, tenzij u de functie handmatig eerder uitschakelt.
- Om de functie Snelkoelen handmatig uit te schakelen houdt u de temperatuurtoets voor de koelkast  3 seconden ingedrukt. Het symbool Snelkoelen gaat uit als de functie niet ingeschakeld is.
- Bij wijziging van de koelkasttemperatuur wordt de functie Snelkoelen automatisch uitgeschakeld.

Snelvriezen

De hoeveelheid vers voedsel (in kg) die in 24 uur kan worden ingevroren staat aangegeven op het typeplaatje van het apparaat.

- Houd de temperatuurtoets voor de vriezer  3 seconden ingedrukt (tot het indicatielampje snelvriezen gaat branden), 24 uur voordat u vers voedsel in de vriezer legt. Na het plaatsen van vers voedsel in de vriezer is 24 uur met de snelvriesfunctie over het algemeen voldoende; na 50 uur wordt de snelvriesfunctie automatisch uitgeschakeld.
- Om de functie Snelvriezen handmatig uit te schakelen houdt u de temperatuurtoets voor de vriezer  3 seconden ingedrukt. Het symbool Snelvriezen gaat uit.
- Bij wijziging van de vriestemperatuur wordt de functie Snelvriezen automatisch uitgeschakeld.

Vakantiemodus

Deze modus is ontworpen zodat uw apparaat geen energie verspilt in periodes waarin het niet wordt gebruikt (bijvoorbeeld wanneer u op vakantie bent).

Door deze functie te selecteren wordt de temperatuur van de koelkast automatisch ingesteld op 12°C.

- Om de vakantiemodus te gebruiken houdt u de modustoets ingedrukt tot het indicatielampje Vakantiemodus gaat branden op het display.
- Om de vakantiemodus uit te schakelen houdt u de modustoets ingedrukt tot het indicatielampje niet meer brandt op het display.

- Bij wijziging van de koelkasttemperatuur wordt de functie Vakantiemodus automatisch uitgeschakeld.

BELANGRIJK: Als deze modus geselecteerd wordt, moeten al de levensmiddelen en dranken uit de koelkast worden gehaald.

Geluid AAN-UIT

Druk op de toets om de geluidstonen in of uit te schakelen.

Toetsenblokkering

- Houd de blokkeringstoets 3 seconden ingedrukt om de toetsenblokkering in te schakelen.
- Om de blokkering uit te schakelen houdt u de blokkeringstoets 3 seconden ingedrukt.

De blokkeringsfunctie negeert alle interactie met het bedieningspaneel tot de gebruiker het bedieningspaneel deblokkeert. Deze functie is bedoeld om onbedoelde verandering van de instellingen te voorkomen.

Demo-modus (alleen bij WQ9 B1L, 6WM24NIHAS en WQ70900SXX)


Deze modus wordt gebruikt wanneer het apparaat tentoongesteld is in een winkel of als u de koeling wilt uitzetten. Met uitzondering van de binnenverlichting staan alle overige functies dan uit.

De Demo-modus kan gebruikt worden als u langere tijd op vakantie gaat. Zie de paragraaf "Vakantie en verhuizing" voor de te volgen stappen om uw koelvriezer langere tijd in deze modus te laten.

- Als u de Demo-modus inschakelt, gaat op het scherm het symbool "Demo" branden.
- U kunt de Demo-modus in- of uitschakelen door de toetsen Geluid AAN-UIT en de blokkeringstoets tegelijkertijd 3 seconden ingedrukt te houden.

Extra functies

Alarm deur open

- Bij de functie Alarm deur open gaat er een alarm af en knippert het symbool "Deur open"  als een van de vier deuren langer dan 2 minuten open is.
- Het alarm gaat elke 5 minuten af. Sluit alle deuren om het alarm uit te schakelen.

OPMERKING: Wanneer de deuren langere tijd openstaan omdat u bijvoorbeeld de koelkast van binnen schoonmaakt, kunt u de alarmtoon uitschakelen door een willekeurige toets op het bedieningspaneel aan te raken. De alarmtoon gaat dan tijdelijk uit, maar het symbool Deur open op het bedieningspaneel blijft branden.

Verlichting van de koelkast

De koelkast is voorzien van binnenverlichting die elke keer aangaat wanneer de deur wordt geopend.

OPMERKING: Het licht komt van een ledlampje dat niet hoeft te worden vervangen. Als het ledlampje niet brandt wanneer de deur openstaat, moet u de klantenservice bellen om het te laten vervangen.

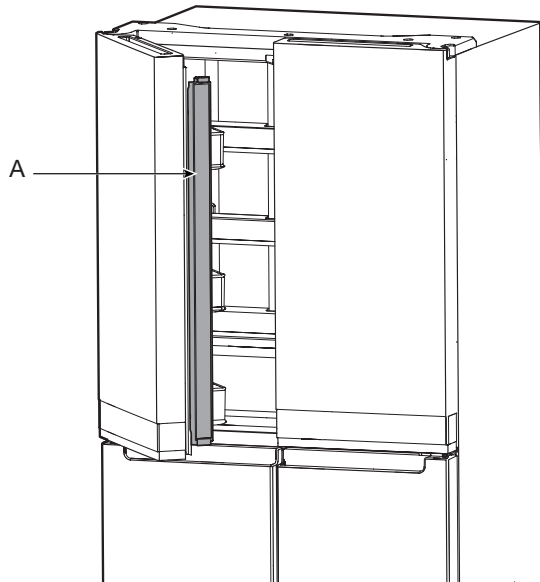
GEBRUIK VAN DE KOELKAST

De deuren openen en sluiten

De koelkast heeft twee deuren. De deuren kunnen afzonderlijk of tegelijk worden geopend en gesloten. De linkerdeur van de koelkast is voorzien van een verticaal scharnierend afdichtingsrubber.

- Wanneer de linkerdeur wordt geopend, draait het rubber automatisch naar binnen zodat het niet in de weg zit.
- Wanneer beide deuren gesloten zijn, vormt het rubber automatisch een afdichting tussen de twee deuren.

OPMERKING: Wanneer u de deur dichtdoet, moet de scharnierafdichting in de juiste positie zijn (naar binnen gebogen). Anders raakt hij de rechterdeur of de bevestigingsas.

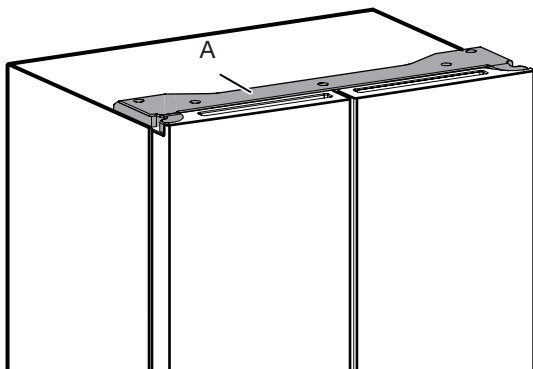


A. Scharnierend rubber

De deurschakelaar van de koelkast bevindt zich in de bovenste scharnierafdekking links en rechts.

- Bij de vriezer en de multi-temperatuurzone zit de deurschakelaar in het onderste scharnier.
- De deurschakelaars maken gebruik van magnetisme om te herkennen of de deur open of gesloten is.
- Zorg er daarom voor dat zich binnen 7,62 cm van de afdekkap van de scharnieren geen magneten of elektronische apparaten (speakers, CoolVox® etc.) bevinden.

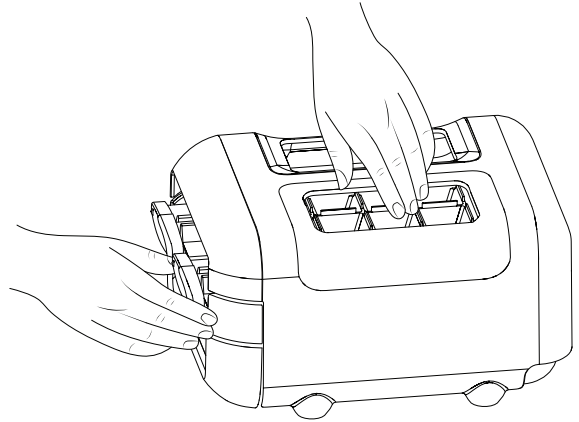
OPMERKING: De verlichting gaat niet aan als de schakelaar niet herkent dat de deur geopend is.



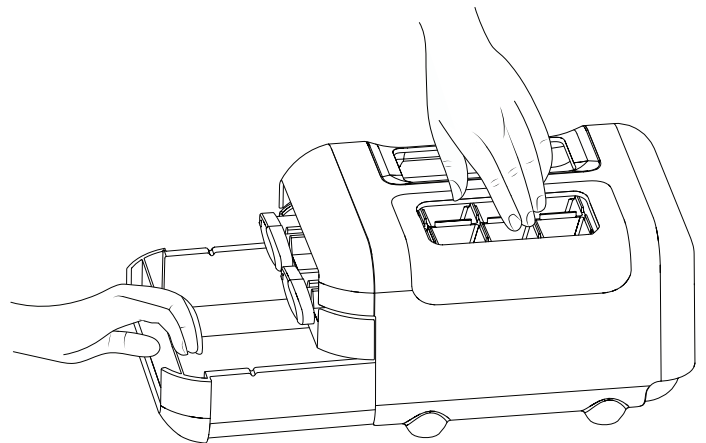
A. Afdekkap scharnier

Ijsblokjesmaker

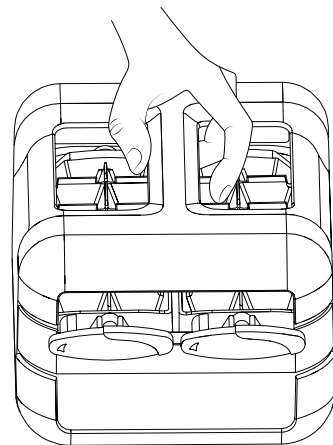
- Om ijsblokjes te maken vult u het ijsplateau met gezuiverd water en zet u de handmatige ijsblokjesmaker op het bovenste schap van de vriezer. Wacht tot het water bevroren is. Als het ijs klaar is, draait u de knoppen naar rechts om ijsblokjes in de ijsbak te laten vallen.



- Til de ijsbak een beetje op en trek hem naar buiten om bij de ijsblokjes te komen.



De handmatige ijsblokjesmaker kan uit de vriezer worden gehaald als u geen ijsblokjes nodig heeft, om meer ruimte te krijgen in de vriezer.



Bewaren van voedsel

Bewaren van eieren

Het wordt aanbevolen om eieren bij een constante temperatuur te bewaren om ze vers te houden, dus het is het best om ze op het middelste schap van de koelkast te bewaren.

SCHAPPEN, VAKKEN EN LADES

Belangrijke informatie over glazen plateaus en afdekplaten:

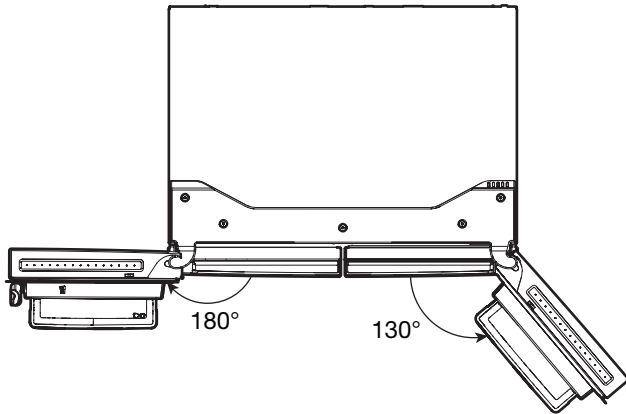
Reinig glazen plateaus en afdekplaten niet met warm water wanneer zij koud zijn. Plateaus en afdekplaten kunnen kapotgaan als zij plotseling van temperatuur veranderen of hard in aanraking komen met voorwerpen.

Gehard glas is zo gemaakt dat het bij breuk uiteenvalt in een groot aantal kleine stukjes ter grootte van een kiezelsteen. Dit is normaal. Glazen plateaus en afdekplaten zijn zwaar. Houd ze bij het uitnemen met beide handen vast om te voorkomen dat u ze laat vallen.

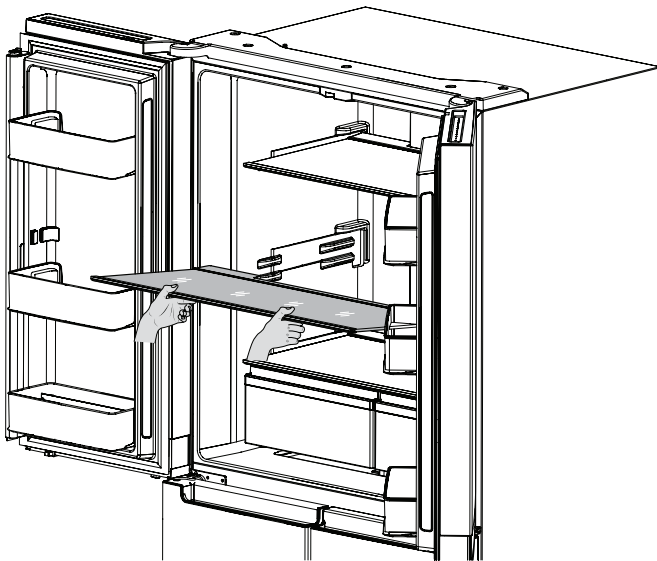
Hoogte van de schappen aanpassen

De hoogte van de schappen kan worden aangepast door ze van de onderste steun op de bovenste steun te plaatsen en andersom

- Open de rechterdeur helemaal.
- Open de linkerdeur helemaal en til de deur op zodat hij 180° geopend is.



- Haal het schap uit de koelkast en plaats het op de gewenste hoogte.



- Zorg dat het schap goed op de steunen rust.

Schappen en schapframes

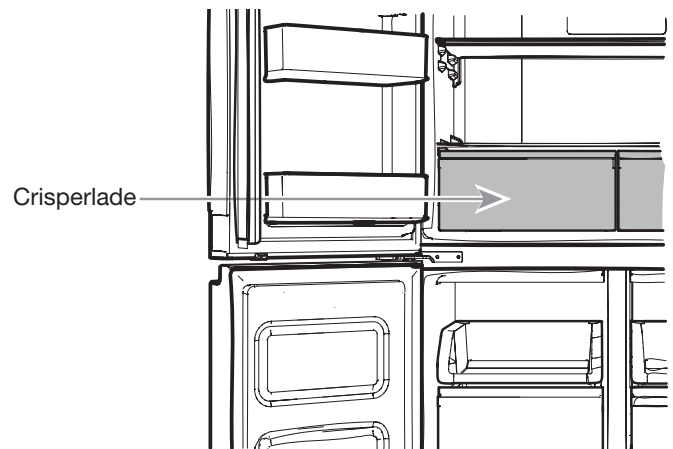
De schappen in uw koelkast zijn verstelbaar zodat u ze naar behoefte kunt aanpassen.

Door soortgelijke producten bij elkaar te bewaren en de schappen aan te passen aan de afmetingen van de verschillende artikelen, vindt u het gewenste product sneller terug. De deur van de koelkast zal dan ook minder lang openstaan, zodat u energie bespaart.

Schappen verwijderen en terugplaatsen:

1. Open de rechter- en linkerdeur helemaal en til de linkerdeur op tot hij 180° geopend is.
2. Verwijder het middelste of bovenste schap door het van de steunen op te tillen. Trek het schap naar u toe en kantel het omlaag in een verticale positie. Draai het schap onder een hoek en trek het uit de koelkast.
3. Neem het onderste schap eruit door het van de steunen op te tillen. Trek het schap naar u toe en kantel het omhoog in een verticale positie. Draai het schap onder een hoek en trek het uit de koelkast.
4. Plaats het middelste en het bovenste schap terug door het onder een hoek in de koelkast te brengen, met de voorzijde omlaag. Breng de voorzijde omhoog en schuif het schap naar achteren tot de achterkant in de steunen valt. Leg de voorzijde neer en controleer of het schap goed ligt.
5. Plaats het onderste schap terug door het onder een hoek in de koelkast te brengen, met het schap omhoog. Breng de voorzijde omlaag en schuif het schap naar achteren tot het in de steunen valt. Leg de voorzijde neer en controleer of het schap goed ligt.

Crisperladen

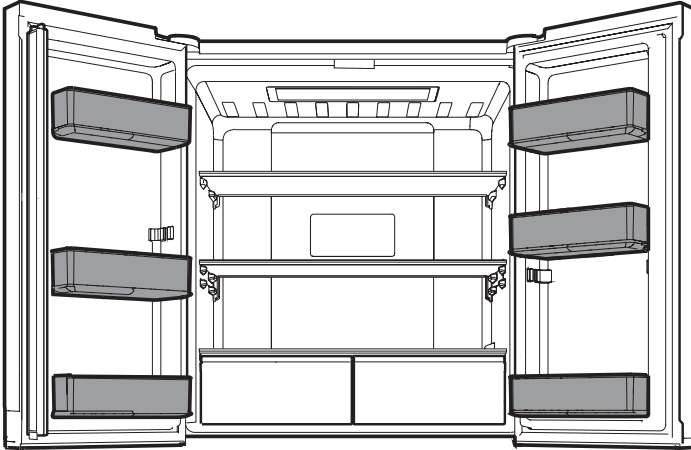


De crisperladen verwijderen en terugplaatsen:

1. Pak de handgreep van de crisperlade en sluit hem recht naar buiten tot hij niet verder kan. Til de crisperlade van de onderste geleider.
2. Voor het terugplaatsen legt u de crisperlade op de onderste geleider en duwt u hem voorbij de stop op zijn plaats.

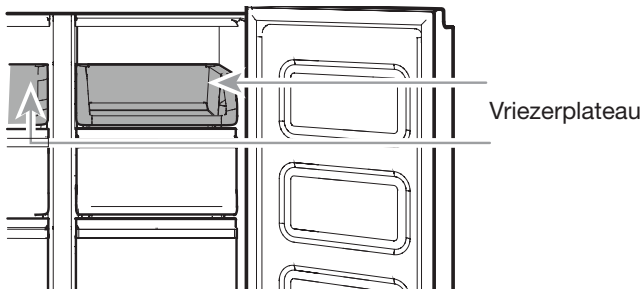
Deurvakken van de koelkast

De vakken in de deuren van de koelkast zijn verstelbaar, zodat u ze naar behoefte kunt aanpassen.



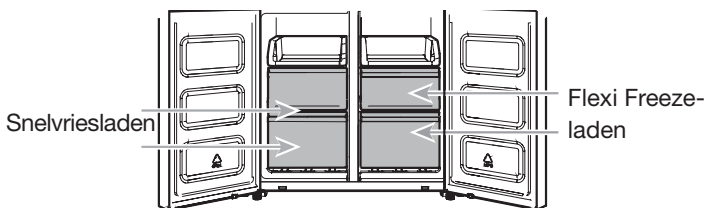
Bewaarvakken in de vriezer

Vriezerplateau



Het vriezerplateau is handig om snel toegang te hebben tot veelgebruikte producten, voor het invriezen of bewaren van restjes of kleine producten.

Laden van de vriezer



Vak voor snelvriezen

- Met de snelvriesladen kunt u makkelijk levensmiddelen met een groot volume opslaan.
- Met de snelvriesoptie kunt u al uw diepvriesproducten veilig en transparant opslaan.

OPMERKING: De temperatuur van de vriezer kan afkoelen tot dezelfde temperatuur als het Flexible Freezer-vak, als de temperatuur van de vriezer op warmer is ingesteld dat die van het Flexible Freezer-vak.

Flexi Freeze-vak (alleen bij WQ9 B1L, 6WM24NIHAS en WQ70900SXX)

Met het Flexi Freeze-vak kunt u een van drie vriezertemperaturen kiezen: -7°C , -12°C en -18°C om de beste opslagcondities voor verschillende soorten voedsel te bieden.

Voor een maximale capaciteit van de vriezer kunt u de vriezerlade verwijderen, zodat het vriesplateau vrij komt te liggen.

De bovenste lade verwijderen:

1. Pak de handgreep van de lade en sluit hem recht naar buiten tot hij niet verder kan. Til de lade van de onderste geleider.
2. Voor het terugplaatsen legt u de lade op de onderste geleider en duwt u hem voorbij de stop op zijn plaats.

Vriezerplateau (alleen bij WQ9 E1L en WQ9 B1L)

Om de capaciteit van de vriezer zo groot mogelijk te maken, kunt u de middelste lade verwijderen, zodat het vriesplateau eronder vrij komt te liggen. Bewaar de bovenste lade voor eventueel later gebruik en leg uw producten direct op het plateau.

Betekenis van geluidssignalen

Toewijzing geluidstonen

Naam toon	Voorbeeld toepassing
Apparaat aan	Elke keer wanneer het apparaat wordt aangezet.
Op knop drukken	Er wordt op een geldige knop gedrukt.
Ongeldig (fout)	Er is gelijktijdig op twee of meer geldige knoppen gedrukt. Onderbreking van aftelling bij drukken op en vasthouden van knoppen.
Geactiveerd / klaar	Bevestiging dat een modus is ingeschakeld.
Gedeactiveerd	Bevestiging dat een modus is uitgeschakeld.
Waarschuwing	Alarm deur open.

Bovenstaande tabel is alleen voor snelle naslag bedoeld. Zie voor gedetailleerde informatie de desbetreffende paragrafen. Bij tegenstrijdigheid prevaleert de informatie in de paragrafen.

Accessoires

Neem voor de bestelling van accessoires contact op met de dealer bij wie u uw koelvriescombinatie hebt gekocht.

Assistentie of onderhoud

Kijk voordat u belt voor assistentie of onderhoud onder "Probleemoplossing" hierna. Dat kan u de kosten van een servicebezoek besparen. Als u toch hulp nodig blijkt te hebben, volg dan onderstaande aanwijzingen.

Als u vervangingsonderdelen nodig heeft

De dealer bij wie u uw koelvriescombinatie hebt gekocht kan u vertellen waar u in de buurt terecht kunt voor door de fabriek opgegeven vervangingsonderdelen.

Garantie

Neem voor informatie over de garantie contact op met de dealer bij wie u de koelvriescombinatie heeft gekocht.

Bewaar deze handleiding en uw aankoopbon samen voor toekomstig gebruik. Voor service binnen de garantietermijn moet u kunnen aantonen wanneer u het product hebt gekocht of geïnstalleerd.

Noteer de volgende gegevens van uw apparaat voor het geval u later een beroep moet doen op assistentie of service. U zult dan het volledige modelnummer en serienummer moeten weten. Die gegevens vindt u op het typeplaatje met het modelnummer en het serienummer, aan de binnenkant van het koelgedeelte.

Naam dealer _____

Serienummer _____

Adres _____

Telefoonnummer _____

Modelnummer _____

Aankoopdatum _____

ONDERHOUD VAN DE KOELVRIEZER

Reiniging

⚠ WAARSCHUWING



Gevaar voor ontploffing

Gebruik een niet-ontvlambaar reinigingsmiddel.

Anders bestaat er gevaar voor ontploffing en/of brand met mogelijk fatale gevolgen.

Alle gedeelten van de koelkast, de vriezer en de Flexi Freeze-gedeeltes (alleen bij WQ9 B1L, 6WM24NIHAS en WQ70900SXX) worden automatisch ontdooid. Reinig alle vakken echter eenmaal per maand om geurtjes te voorkomen. Neem gemorste producten direct op met een doekje.

Schoonmaken van de buitenkant

Zie de voor uw model specifieke informatie over het schoonmaken van de buitenkant.

Uitvoering 1 – Gladde deur

BELANGRIJK: Beschadiging van de gladde afwerking van de deuren wegens onjuist gebruik van reinigingsproducten of gebruik van niet-aanbevolen reinigingsproducten valt niet onder de garantie. Scherpe of botte voorwerpen laten sporen achter op de deur.

WEL GEBRUIKEN	NIET GEBRUIKEN
✓ Zachte, schone doek	✗ Schurende doeken ✗ Keukenpapier of kranten ✗ Sponsjes van staalwol
✓ Warm water met zachte zeep	✗ Schuurpoeders of schuurmiddelen ✗ Ruitenreinigers ✗ Ammonia ✗ Zure of azijnhoudende reinigingsmiddelen ✗ Ovenreinigers ✗ Ontvlambare vloeistoffen

OPMERKING: Met keukenpapier maakt u krassen en kan de heldere coating van de gelakte deur dof worden. Om beschadiging te voorkomen, gebruikt u het best alleen zachte, schone doeken om voor het poetsen en afvegen.

Uitvoering 2 – Roestvrij staal

BELANGRIJK:

- Gebruik uitsluitend voor rvs aanbevolen schoonmaakmiddelen en doeken. Beschadiging van de rvs afwerking wegens onjuist gebruik van reinigingsproducten of gebruik van niet-aanbevolen reinigingsproducten valt niet onder de garantie.
- Vermijd contact tussen rvs apparatuur en bijtende of corrosieve elementen, zoals in omgevingen die een hoog zoutgehalte hebben of heel vochtig zijn. Beschadiging wegens blootstelling aan dergelijke elementen valt niet onder de garantie.

WEL GEBRUIKEN	NIET GEBRUIKEN
✓ Zachte, schone doek	✗ Schurende doeken ✗ Keukenpapier of kranten ✗ Sponsjes van staalwol
✓ Warm water met zachte zeep	✗ Schuurpoeders of schuurmiddelen ✗ Ammonia ✗ Reinigingsmiddelen op basis van citroensap ✗ Zure of azijnhoudende reinigingsmiddelen ✗ Ovenreinigers
✓ Gebruik bij sterke verontreiniging uitsluitend een voor huishoudelijke apparatuur ontwikkelde rvs-reiniger. Neem voor de bestelling van het schoonmaakmiddel contact op met de dealer bij wie u uw koelvriescombinatie hebt gekocht.	✗ Rvs-reiniger is alleen voor rvs-onderdelen. Zorg ervoor dat rvs-reinigers en rvs-poetsmiddelen niet in contact komen met plastic onderdelen zoals de afwerkingselementen, dispenserkapjes of deurrubbers.

Uitvoering 3 – Vingerafdrukbestendig roestvrij staal

BELANGRIJK:

- Vermijd contact tussen rvs apparatuur en bijtende of corrosieve elementen, zoals in omgevingen die een hoog zoutgehalte hebben of heel vochtig zijn. Beschadiging wegens blootstelling aan dergelijke elementen valt niet onder de garantie.

WEL GEBRUIKEN	NIET GEBRUIKEN
✓ Zachte, schone doek	✗ Schurende doeken ✗ Keukenpapier of kranten ✗ Sponsjes van staalwol
✓ Warm water met zachte zeep	✗ Schuurpoeders of schuurmiddelen ✗ Ruitenreinigers ✗ Ammonia ✗ Zure of azijnhoudende reinigingsmiddelen ✗ Ovenreinigers ✗ Ontvlambare vloeistoffen

OPMERKINGEN:

- Als er per ongeluk toch contact ontstaat, kunt u het plastic afvegen met een spons en een zacht sopje. Droog goed na met een zachte droge doek.
- Ook een vloeibaar reinigingsmiddel kan een schurend effect hebben. Veel vloeibare middelen die ontwikkeld zijn voor tegelwerk en andere gladde ondergronden, zijn evengoed schadelijk voor roestvrij staal.
- Zo zal rvs bij gebruik van citroenzuur onherstelbaar verkleuren.
- Om beschadiging van de rvs-deuren van uw apparaat te voorkomen:

Dient u de volgende stoffen zo snel mogelijk van de deur te verwijderen:

- | | |
|---------------|---|
| ✗ Mosterd | ✗ Sauzen op basis van citrusvruchten |
| ✗ Tomatensap | ✗ Producten op basis van citrusvruchten |
| ✗ Marinarsaus | |

Schoonmaken van de binnenkant

1. Haal de stekker uit het stopcontact of schakel de stroom uit.
2. Maak alle verwijderbare onderdelen en inwendige vlakken grondig schoon met de hand, daarna afspoelen en goed afdrogen. Gebruik een schone spons of zachte doek en een zacht sopje.

OPMERKING: Gebruik voor de plastic onderdelen, de binnenkant en deurrubbers geen schurende of agressieve schoonmaakmiddelen zoals ruitensprays, schuurmiddelen, ontvlambare vloeistoffen, reinigende was, geconcentreerde reinigers, bleekmiddelen of schoonmaakmiddelen met aardolieproducten.

3. Doe de stekker in het stopcontact of schakel de stroom weer in.

Condensator

Deze koelvriezer heeft een condensator aan beide kanten van de koelkast. Het is normaal dat deze aan de zijkanten warm aanvoelt.

Verlichting

De verlichting in de koelkast en in de vriezer bestaat uit ledlampjes die niet hoeven te worden vervangen. Neem contact op met de dealer bij wie u de koelvriezer heeft gekocht als de verlichting uit blijft bij het openen van de deur.

Verzorging bij vakantie en verhuizing

Vakantie

Als u de koelvriezer aan wilt laten terwijl u weg bent:

1. Maak alles wat beperkt houdbaar is op en vries de overige producten in.
2. Sluit de watertoevoer naar de koelkast af als uw koelkast een automatische ijsmaker heeft en is aangesloten op de waterleiding bij u thuis. Als de watertoevoer niet is afgesloten, kan er materiële schade ontstaan.
3. Zet de ijsmaker uit als u een automatische ijsmaker hebt.
 - Zet de schakelaar voor de ijsmaker in de deur op Off (O).
4. Leeg de ijsvoorraadbak.

Als u de koelvriezer aan wilt laten terwijl u weg bent:

OPMERKING: Zet het apparaat in de Demo-modus als u op vakantie bent. Zie de paragraaf "Gebruik van het bedieningspaneel".

1. Haal alle levensmiddelen uit de koelvriezer.
2. Als uw koelkast een automatische ijsmaker heeft:
 - Sluit minstens 1 dag van tevoren de watertoevoer naar de ijsmaker af.
 - Zet nadat het laatste lading ijsblokjes is gevallen de schakelaar op Off (O), zodat het scherm uitgaat bovenin de koelkast, afhankelijk van uw model.
3. Maak de ijsvoorraadbak leeg.
4. Zet de temperatuurregeling uit. Zie de paragraaf "Gebruik van het bedieningspaneel".
5. Maak het apparaat schoon, veeg het af en droog goed na.
6. Plak met tape rubber of houten blokken vast aan de bovenkant van beide deuren, zodat ze op een kier blijven en er lucht naar binnen kan. Zo voorkomt u geurtjes en schimmelgroei.

Verhuizen

Tref de volgende voorbereidingen wanneer u de koelvriezer gaat verhuizen.

1. Als uw koelkast een automatische ijsmaker heeft:
 - Sluit minstens 1 dag van tevoren de watertoevoer naar de ijsmaker af.
 - Sluit de watertoevoer af aan de achterzijde van de koelkast.
 - Zet nadat het laatste lading ijsblokjes is gevallen de schakelaar op Off (O) op de ijsblokjesmaker of het bedieningspaneel, afhankelijk van het model.
2. Haal alle levensmiddelen uit de koelvriezer en verpak alle ingevroren artikelen in droogijs.
3. Maak de ijsvoorraadbak leeg.
4. Haal de stekker uit het stopcontact.
5. Maak het apparaat schoon, veeg het af en droog het goed na.
6. Neem alle verwijderbare onderdelen uit het apparaat, pak ze goed in en doe er tape omheen zodat ze tijdens het vervoer niet verschuiven en rammelen.
7. Afhankelijk van het model tilt u het apparaat aan de voorzijde iets op om het beter te kunnen verrijden of draait u de stelbouten in zodat ze niet over de vloer schrapen. Zie de paragrafen "De deuren afstellen" of "Waterpas zetten en het sluiten van de deuren".
8. Tape de deuren dicht en tape het netsnoer vast aan de achterkant van het apparaat.

Doe op de plaats van bestemming alles terug op zijn plaats en raadpleeg daarbij "Aanwijzingen voor installatie". Heeft uw koelkast een automatische ijsmaker, vergeet dan niet de watertoevoer naar de koelkast aan te sluiten.

PROBLEMEN OPLOSSEN

Probeer eerst de hier voorgestelde oplossingen om zo mogelijk bezoek van een service-medewerker te vermijden.

⚠ WAARSCHUWING



Gevaar voor elektrische schok

Sluit het apparaat aan op een geaard stopcontact.

Verwijder het aardcontact niet.

Gebruik geen adapter.

Gebruik geen verlengsnoer.

Het niet opvolgen van deze instructies kan leiden tot overlijden, brand of een elektrische schok.

Probleem	Mogelijke oorzaken	Oplossing
Werking van de koelkast		
De koelkast doet het niet.	Controleer de elektrische aansluiting.	Steek de stekker in een geaard stopcontact. Gebruik geen verlengsnoer. Zorg ervoor dat er stroom staat op het stopcontact. Controleer of het stopcontact werkt door er een lamp op aan te sluiten. Zet een geactiveerde stroomonderbreker terug. Vervang doorgebrande zekeringen. OPMERKING: Neem contact op met een monteur als het probleem aanhoudt.
	Controleer het bedieningspaneel.	Zorg ervoor dat het bedieningspaneel aanstaat. Zie de paragraaf "Gebruik van het bedieningspaneel".
	Nieuwe installatie.	Na installatie duurt het 24 uur voordat de koelkast volledig koelt. OPMERKING: De temperatuur in de vriezer en de koelkast daalt niet sneller als u in het bedieningspaneel de laagste stand instelt.
	De koelkast staat in de Demo-modus (op sommige modellen).	Als de koelkast in de Demo-modus staat, is de koelfunctie uitgeschakeld en brandt "Demo" op het bedieningspaneel. Zie "Gebruik van het bedieningspaneel" voor meer informatie.
De motor lijkt te veel te draaien.	Uiterst efficiënte compressor en ventilatoren.	Grotere, efficiëntere koelkasten draaien langer op lagere, energiezuiniger snelheden.
	Het is erg warm in de kamer of buiten.	Onder die omstandigheden is het normaal dat de koelkast langer werkt. De koelkast werkt optimaal in een binnenruimte met temperatuurregeling. Zie de paragraaf "Vereisten m.b.t. de locatie".
	Er zijn recentelijk veel warme levensmiddelen bewaard.	Als u warme levensmiddelen in de koelkast bewaart, draait de koelkast langer door om de lucht terug op de juiste temperatuur te brengen.
	De deuren gaan te vaak open of staan te lang open.	De koelkast moet extra draaien als er warme lucht in komt. Open de deur minder vaak.
	De deur van de koelkast of de lade van de vriezer is open.	Controleer of de koelkast waterpas staat. Zie de paragraaf "Waterpas zetten en het sluiten van de deuren". Zorg ervoor dat er niets tussen de deur kan komen.
	De koeltemperatuur is te laag ingesteld.	Stel de koeltemperatuur in op een minder lage waarde tot de gewenste temperatuur is bereikt.
	Het deur- of laderubber is vuil, versleten of gebarsten.	Reinig of vervang het rubber. Bij lekkage langs de rubbers van de deuren of lade draait het apparaat langer om de gewenste temperaturen te handhaven.

PROBLEMEN OPLOSSEN

Probeer eerst de hier voorgestelde oplossingen om zo mogelijk bezoek van een service-medewerker te vermijden.

Probleem	Mogelijke oorzaken	Oplossing
De verlichting doet het niet.	Uw koelkast is voorzien van ledverlichting die niet hoeft te worden vervangen.	Als de verlichting niet aangaat wanneer u een deur of de lade opent, terwijl de koelkast wel stroom heeft, bel dan om assistentie.
	De deuren hebben langer dan 10 minuten opengestaan.	Sluit de deuren en de lade om de instelling terug te zetten. Bij opnieuw openen van deur of lade werkt verlichting weer.
	De deurschakelaar merkt niet op wanneer een deur opengaat.	Zorg ervoor dat zich binnen 7,62 cm van de scharnierafdekkap geen magneten of elektronische apparaten bevinden.
Het bedieningspaneel voor temperatuurregeling gaat niet aan.	De temperatuurregeling is in de slaapstand gegaan.	Druk op een willekeurige toets op het bedieningspaneel om de temperatuurregeling te activeren.
	De toetsen van de temperatuurregeling werken niet goed.	Probeer de koelkast uit en weer aan te zetten om de toetsen te resetten. Bel de Klantenservice als het probleem aanhoudt.
	Het bedieningspaneel voor temperatuurregeling ontvangt geenxstroom.	Controleer de bedrading in het deurscharnier.
De instelling op het bedieningspaneel voor de temperatuurregeling kan niet aangepast worden.	De deur is open en het alarm Deur open is actief.	Sluit de deur.
Ongebruikelijke geluiden		
Als u op de website van Whirlpool onder Product Help/FAQ (Producthulp/FAQ) zoekt op “normal sounds” (“normale geluiden”), kunt u luisteren naar de geluiden die gewoon zijn voor uw koelvriezer. Hieronder volgen enkele gewone geluiden met een toelichting.		
De koelkast lijkt veel geluid te maken.	De compressor in uw nieuwe apparaat regelt de temperatuur efficiënter, gebruikt minder energie en werkt stiller.	Daardoor kan het zijn dat u voor u onbekende geluiden opmerkt die normaal zijn.
Geluid van langer dan verwacht draaiende compressor.	Uiterst efficiënte compressor en ventilatoren.	Grotere, efficiëntere koelkasten draaien langer op lagere, energiezuiniger snelheden.
Pulseren/zoemen	De ventilatoren/compressor die zich instellen op optimale prestaties tijdens normale werking van de compressor.	Dit is normaal.
Ploffen	Krimpen/uitzetten van binnenwanden, vooral tijdens eerste afkoeling.	Dit is normaal.
Ruisen/druppelen	Stroming van koelmiddel of olie in de compressor.	Dit is normaal.
Trillen	De koelvriezer staat niet stabiel.	Draai aan de stelschroeven en draai de stelvoet stevig tegen de vloer. Zie de paragraaf “Waterpas zetten en het sluiten van de deuren”.
Sissen	Waterdruppels die op de verwamer vallen tijdens het ontdooien.	Dit is normaal.
Lopend/borrele water	Kan te horen zijn wanneer tijdens het ontdooien smeltijs in de afvoerbak loopt.	Dit is normaal.

PROBLEMEN OPLOSSEN

Probeer eerst de hier voorgestelde oplossingen om zo mogelijk bezoek van een service-medewerker te vermijden.

Probleem	Mogelijke oorzaken	Oplossing
Temperatuur en vocht		
Temperatuur is te hoog.	De koelkast is nog maar net geïnstalleerd.	Na installatie duurt het 24 uur voordat de koelkast volledig koelt.
	De temperatuur is niet ingesteld op de omgevingstemperatuur.	Stel de temperatuur in op een lagere waarde. Controleer de temperatuur na 24 uur. Zie de paragraaf "Gebruik van het bedieningspaneel".
	De deur gaat te vaak open of gaat niet helemaal dicht. Zo kan er warme lucht de koelkast inkomen.	Open de deuren zo min mogelijk en doe ze goed dicht.
	Er zijn recentelijk veel levensmiddelen bewaard.	Geef de koelkast een paar uur de tijd om weer de normale temperatuur te bereiken.
	Demo-modus is ingeschakeld.	Schakel de Demo-modus uit. Zie "Gebruik van het bedieningspaneel".
	Vakantiemodus is ingeschakeld.	Schakel de Vakantiemodus uit. Zie "Gebruik van het bedieningspaneel".
Temperatuur in de koelkast/groentela is te laag.	De ventilatieopening van de koelkast is verstopt.	Als er producten direct voor de ventilatieopening in het midden van de achterwand van de koelkast staan, wordt de koelkast te koud. Haal de producten voor de ventilatieopening weg.
	De temperatuur is niet ingesteld op de omgevingstemperatuur.	Stel de temperatuur in op een hogere waarde. Controleer de temperatuur na 24 uur. Zie de paragraaf "Gebruik van het bedieningspaneel".
Temperatuur in de lade met temperatuurregeling is te laag.	De temperatuur is niet goed ingesteld voor de artikelen in de la.	Stel de temperatuur bij. Zie de paragraaf "Gebruik van het bedieningspaneel" in de paragraaf over "Gebruik van de koelkast".
Er is vochtophoping aan de binnenkant. OPMERKING: Enige vochtophoping is normaal.	De kamer is vochtig.	Een vochtige omgeving draagt bij tot vochtophoping.
	De deur gaat te vaak open of gaat niet helemaal dicht. Zo kan er vochtige lucht de koelkast inkomen.	Open de deuren zo min mogelijk en doe ze goed dicht.
	Er zit iets tussen de deur(en).	Zet verpakkingen verder bij de deur vandaan.
	Een vak of schap zit in de weg.	Duw het vak of schap terug in de juiste positie.
	Bewaren van vloeistoffen zonder ze af te sluiten.	Dit verhoogt de vochtigheid in de koelkast. Sluit alle verpakkingen goed af.
Er hoopt zich ijs op in de vriezer.	De vrieslade gaat te vaak open of blijft openstaan.	Open de vrieslade zo min mogelijk en doe de lade na gebruik goed dicht.
	De deur heeft een slechte afdichting.	Zorg ervoor dat de deurrubbers overal volledig aandrukken tegen de koelkast, zodat een goede afdichting wordt bereikt.
	De temperatuur is niet goed ingesteld.	Zie "Gebruik van het bedieningspaneel" voor aanbevolen temperatuurstellingen.

PROBLEMEN OPLOSSEN

Probeer eerst de hier voorgestelde oplossingen om zo mogelijk bezoek van een service-medewerker te vermijden.

⚠ WAARSCHUWING



Gevaar voor ontploffing
Gebruik een niet-ontvlambaar reinigingsmiddel.
Anders bestaat er gevaar voor ontploffing en/of brand met mogelijk fatale gevolgen.

Als u op de website van Whirlpool onder Product Help/FAQ (Producthulp/FAQ) zoekt op “Door Closing and Door Alignment” (“Sluiten en uitlijnen van de deuren”), vindt u een animatie over het stellen en uitlijnen van de deuren.

Probleem	Mogelijke oorzaken	Oplossing
Deuren		
De deuren gaan niet goed dicht.	Er zit iets tussen de deur.	Zet verpakkingen verder bij de deur vandaan.
	Een vak of schap zit in de weg.	Duw het vak of schap terug in de juiste positie.
	Recentelijk geïnstalleerd	Verwijder al het verpakkingsmateriaal.
De deuren gaan moeilijk open.	De deurrubbers zijn vuil of plakkerig.	Maak de rubbers en de rand waar ze tegenaan komen, schoon met een zacht warm sopje. Spoel af en droog na met een zachte doek.
De deuren staan niet gelijk.	De deuren moeten worden uitgelijnd of de koelvriezer moet waterpas worden gezet.	Bel voor het laten uitlijnen van de deur met de Klantenservice.
De koelvriezer wiebelt of rolt naar voren bij het openen en sluiten van de deuren.	De remvoeten van de koelvriezer drukken niet op de vloer.	Draai beide remvoeten (aan weerszijden) evenveel naar links tot ze tegen de vloer drukken. Zie de paragraaf “Waterpas zetten en het sluiten van de deuren”.

Innehållsförteckning

SÄKERHET FÖR KYLSKÅP	201
Korrekt kassering av ditt gamla kylskåp	204
DELAR OCH FUNKTIONER	205
INSTALLATIONSANVISNINGAR	206
Komma igång.....	206
Packa upp kylskåpet	206
Placeringskrav.....	207
Elektriska krav	207
Demontera och montera kylskåpsdörrar	209
Demontera och montera Freezer/Flexi Freeze-dörr	211
Avvägning av kylskåp	212
Använda kontrollerna	213
Kylskåpets belysning	214
ANVÄNDNING AV KYLSKÅP	215
Öppning och stängning av dörrar	215
Förvaring av mat	215
HYLLOR, FACK OCH LÅDOR	216
Frysavdelningar.....	217
Ljudreferens	217
Tillbehör	217
Assistans eller Service	217
VÅRD AV KYLSKÅPET	218
Rengöring.....	218
Belysning.....	219
Vård vid semester och flyttning	219
FELSÖKNING	220

SÄKERHET FÖR KYLSKÅP

Din och andras säkerhet är mycket viktig.

Du finner många viktiga säkerhetsmeddelanden i denna handbok och på din apparat. Läs och följ alltid alla säkerhetsmeddelanden.



Detta är varningssymbolen beträffande säkerhet.

Denna symbol varnar dig om potentiella risker som kan döda eller skada dig och andra.

Alla säkerhetsmeddelanden följer varningssymbolen beträffande säkerhet med antingen ordet "FARA" eller "VARNING". Dessa ord innebär att:

 **FARA**

Du kan dödas eller skadas allvarligt om du inte omedelbart följer instruktionerna.

 **VARNING**

Du kan dödas eller skadas allvarligt om du inte följer instruktionerna.

Alla säkerhetsmeddelanden talar om för dig vad den potentiella risken är, hur du ska reducera skaderisken och vad som kan hända om instruktionerna inte följs.

Läs noga igenom dessa säkerhetsföreskrifter innan du använder produkten. Förvara dem nära till hands för framtida referens. Dessa föreskrifter och själva produkten ger viktiga säkerhetsvarningar som alltid måste observeras. Tillverkaren ansvarar inte för underlåtenhet att observera dessa säkerhetsföreskrifter, olämplig användning av produkten eller felaktiga inställningar av kontroller.

⚠ Mycket unga barn (0-3 år) bör hållas på säkert avstånd från produkten. Unga barn (3-8 år) bör hållas på säkert avstånd från produkten såvida de inte övervakas av en vuxen person. Barn över 8 år och personer med reducerad fysisk, sensorisk eller mental kapacitet, eller saknar erfarenhet och kunskap, kan använda denna produkt endast om de övervakas eller har erhållit instruktioner om en säker användning och förstår riskerna med att använda produkten. Barn får inte leka med produkten. Rengöring och användarens underhåll får inte utföras av barn utan överinseende av en vuxen person.

TILLÅTEN ANVÄNDNING

⚠ FÖRSIKTIGHET: Produkten är inte avsedd att användas med en extern omkopplingsenhet, såsom en timer, eller ett separat fjärrkontrollsystem.

⚠ Denna produkt är avsedd att användas i hushåll och liknande applikationer såsom: köksområden i affärer, kontor och andra arbetsmiljöer, lantgårdsbyggnader, av kunder på hotell, motell, "bed & breakfast" och andra bostadsmiljöer.

⚠ Denna produkt är inte avsedd för professionell användning. Använd inte denna produkt utomhus.

⚠ Produkten är avsedd att användas på platser där omgivningstemperaturen ligger inom följande områden, enligt den klimatklass som anges på typskylten. Produkten kanske inte fungerar korrekt om den lämnas vid en temperatur utanför det specificerade området under en längre tid.

Klimatklass omgiv. T. (°C)

SN: Från 10 till 32 °C, N: Från 16 till 32 °C

ST: Från 16 till 38 °C, T: Från 16 till 43 °C

⚠ Denna produkt innehåller inte CFC:er. Köldmedelskretsen innehåller R600a (HC). Produkter med isobutan (R600a): isobutan är en naturgas utan miljöpåverkan, men den är antändlig. Se därför till att köldmedelskretsens rörledning inte skadas, särskilt när köldmedelskretsen töms.

⚠ VARNING: Var noga med att inte skada rörledningarna i produktens köldmedelskrets.

⚠ VARNING: Se till att inte blockera ventilationsöppningar i produktens inkapsling eller i den inbyggda strukturen.

⚠ VARNING: Använd inga mekaniska, elektriska eller kemiska medel utöver de som rekommenderas av tillverkaren för att påskynda avfrostningsprocessen.

⚠ VARNING: Använd inte och placera inte elektriska enheter inne i produkten om de inte är av en typ som uttryckligen har godkänts av tillverkaren.

⚠ VARNING: Ismaskiner och/eller vattendispensrar som inte är direkt anslutna till vattenförsörjningen får endast fyllas med dricksvatten.

⚠ VARNING: Automatiska ismaskiner och/eller vattendispensrar får endast anslutas till en vattenförsörjning som levererar dricksvatten, med ett vattentryck i huvudförsörjningen mellan 0,17 och 0,81 MPa (1,7 och 8,1 bar).

⚠ Förvara inte explosiva substanser såsom aerosolburkar med ett antändligt drivmedel i denna produkt.

⚠ Svälj inte innehållet (giftfritt) i kylklamparna (medföljer vissa modeller). Ät inte iskuber eller isglass direkt efter att de har tagits ut från frysen eftersom de kan orsaka kallbrännskador.

⚠ För produkter avsedda att använda ett luftfilter inuti en åtkomlig fläktkåpa måste filtret alltid vara på plats när kylskåpet arbetar.

⚠ Förvara inte glasbehållare med vätskor i frysavdelningen eftersom de kan gå sönder. Blockera inte fläkten (i förekommande fall) med livsmedel. När maten har lagts in, kontrollera att dörrarna till avdelningarna stänger ordentligt, särskilt frysdörren.

⚠ Skadade packningar och tätningar måste snarast bytas ut.

⚠ Använd kylavdelningen endast för förvaring av färska livsmedel och frysavdelningen endast för förvaring av fryst mat, infrysning av färska livsmedel och för att göra iskuber.

⚠ Undvik att förvara ej förpackad mat i direkt kontakt med de interna ytorna i kylen eller frysen. Hushållsapparater kan ha speciella avdelningar (avdelning för färska livsmedel, nollgradig låda, etc.). Såvida inte annat anges i produktens handbok kan de avlägsnas, och upprätthålla motsvarande prestanda.

INSTALLATION

⚠ Produkten måste hanteras och installeras av två eller fler personer - risk för personskador. Använd skyddshandskar under upppackning och installation - risk för skärskadorna.

⚠ Installation, inklusive vattenförsörjning (i förekommande fall) och elektriska anslutningar samt reparationer måste utföras av en kvalificerad tekniker. Reparera inte och byt inte ut någon del av produkten såvida inte detta uttryckligen anges i användarhandboken. Håll barn på säkert avstånd från installationsplatsen.

När produkten har packats upp, kontrollera att den inte har skadats under transporten. I händelse av problem, kontakta återförsäljaren eller närmaste Kundtjänst. Efter installation måste förpackningsmaterialet (plast, frigolitdelar, etc.) förvaras utom räckhåll för barn - risk för kvävning. Produkten måste kopplas loss från elnätet före alla installationsmoment - risk för elektriska stötar. Under installation, se noga till att produkten inte skadar nätkabeln - risk för brand eller elektriska stötar. Aktivera produkten endast när installationen har slutförts.

⚠ Var försiktig så att golvet (t.ex. parkett) inte skadas när produkten flyttas. Installera produkten på ett golv eller stöd som är starkt nog att bära produktens vikt, och på en plats som är lämplig för produktens storlek och användning. Se till att produkten inte står nära en värmekälla och att de fyra fötterna är stabila och har kontakt med golvet. Justera dem efter behov och kontrollera att produkten är i våg med ett vattenpass. Vänta minst två timmar innan du sätter på produkten, detta för att säkerställa att köldmedelskretsen är fullt effektiv.

⚠ För att säkerställa adekvat ventilation, lämna ett fritt utrymme på båda sidor och över produkten. Avståndet mellan produktens baksida och väggen bakom produkten bör vara minst 50 mm för att undvika kontakt med heta ytor. En minskning av detta utrymme ökar produktens energiförbrukning.

⚠ **VARNING:** För att undvika säkerhetsrisker på grund av instabilitet måste placering eller fixering av produkten utföras enligt tillverkarens instruktioner. Det är förbjudet att placera produkten på ett sådant sätt att metallslangen till en gasugn, metallgasrör eller vattenrör, eller elektriska ledningar har kontakt med kylskåpets bakre vägg (kondensorpole).

⚠ Om det är nödvändigt att byta dörrarna, kontakta Technical Assistance Center.

ELEKTRISKA VARNINGAR

⚠ Det måste vara möjligt att koppla loss produkten från elnätet genom att koppla loss en åtkomlig stickkontakt, eller med en flerpoleg strömbrytare installerad uppströms från eluttaget enligt gällande bestämmelser för ledningsdragning, och produkten måste vara jordad enligt nationella elektriska säkerhetsstandarder.

⚠ Använd inte förlängningskablar, grenuttag eller adaptrar. De elektriska komponenterna får inte vara åtkomliga för användaren efter installationen. Använd inte produkten när du är våt eller barfota. Använd inte denna produkt om den har en skadad nätkabel eller stickkontakt, om den inte fungerar korrekt eller om den har skadats eller tappats.

⚠ Om nätkabeln är skadad måste den ersättas med en identisk nätkabel av tillverkaren, dennes serviceagent eller någon annan kvalificerad person för att undvika säkerhetsrisker - risk för elektriska stötar.

⚠ **VARNING:** När produkten ställs på plats, se till att nätkabeln inte fastnar eller skadas.


⚠ **VARNING:** Placera inte portabla grenuttag eller nätaggregat på baksidan av produkten.

RENGÖRING OCH UNDERHÅLL

⚠ **VARNING:** Se noga till att stänga av produkten och koppla loss den från elnätet innan någon form av underhåll utförs. Använd aldrig ångrengöringsutrustning - risk för elektriska stötar.

⚠ Använd inte abrasiva eller skarpa rengöringsmedel såsom fönstersprayer, skurmedel, brandfarliga vätskor, rengöringsvaxer, koncentrerade tvättmedel, blekmedel, eller rengöringsmedel som innehåller petroleumprodukter, på plastdelar, inre foder och dörrfoder, eller tätningar. Använd inte pappershanddukar, skurkuddar eller andra skarpa rengöringsverktyg.


KASSERING AV FÖRPACKNINGSMATERIAL

Förpackningsmaterialet kan återvinnas till 100 % och är märkt med återvinningsymbolen .

De olika delarna av förpackningen måste därför kasseras på ett ansvarsfullt sätt och enligt lokala bestämmelser om avfallshantering.

KASSERING AV HUSHÅLLSAPPARATER

Denna produkt är tillverkad med återvinningsbara eller återanvändbara material. Kassera produkten enligt lokala avfallsbestämmelser. För ytterligare information om behandlingen och återvinningen av elektriska hushållsapparater, kontakta de lokala myndigheterna, sophanteringstjänsten eller butiken där du köpte produkten. Denna produkt är märkt enligt EU-direktiv 2012/19/EU om Avfall, elektrisk och elektronisk utrustning (WEEE). Genom att se till att denna produkt kasseras på rätt sätt bidrar du till att förhindra negativa konsekvenser för både miljön och vår hälsa.

Symbolen  på produkten, eller i medföljande dokumentation, indikerar att denna produkt inte får hanteras som kommunalt avfall, utan måste lämnas in hos en speciell uppsamlingsstation för återvinning av elektrisk och elektronisk utrustning.

TIPS OM ENERGIBESPARING

Installera produkten i ett torrt, välventilerat rum på säkert avstånd från värmekällor (t.ex. element, spis, etc.) och på en plats som inte exponeras för direkt solsken. Om nödvändigt, använd en isolerplatta.

För att säkerställa en adekvat ventilation, följ noga installationsanvisningarna. Bristfällig ventilation på produktens baksida ökar energiförbrukningen och minskar kylningseffektiviteten.

Frekvent dörröppning kan medföra en ökning i energiförbrukningen. Produktens interna temperatur och energiförbrukning kan också påverkas av omgivningstemperaturen och platsen där produkten placeras. Temperaturinställningen bör ta hänsyn till dessa faktorer.

Reducera dörröppningen till ett minimum.

Vid upptining av fryst mat, lägg in maten i kylskåpet. Den låga temperaturen hos de frysta produkterna kyler maten i kylskåpet. Låt varm mat och drycker kallna innan de ställs in i produkten.

Placeringen av hyllorna i kylskåpet påverkar inte energiförbrukningen. Mat och livsmedel bör placeras på hyllorna så att de tillåter korrekt luftcirkulation (mat/livsmedel bör inte vidröra varandra och ett avstånd mellan mat och den bakre väggen bör upprätthållas).

Du kan öka förvaringskapaciteten för fryst mat genom att avlägsna korgarna och, i förekommande fall, hyllan "Stop Frost".

Oroa dig inte för oljud som kommer från kompressorn, det är oljud som beskrivs som normala buller i denna produkts Snabbguide.



Korrekt kassering av ditt gamla kylskåp

⚠ VARNING

Risk för kvävning

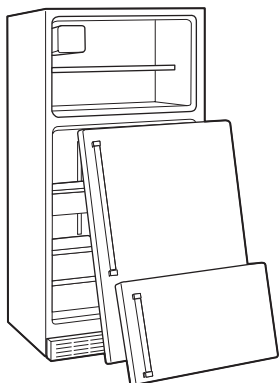
Avlägsna dörrarna från ditt gamla kylskåp.

Underlåtenhet att göra detta kan resultera i dödsfall eller hjärnskador.

VIKTIGT: Barn som blir instängda och kvävs är inte problem som tillhör det förgångna. Skrotade eller övergivna kylskåp är fortfarande farliga - även om de blir stående "endast några få dagar". När du gör dig av med ditt gamla kylskåp, följ dessa instruktioner för att undvika olyckor.

Innan du kastar ditt gamla kylskåp eller frys:

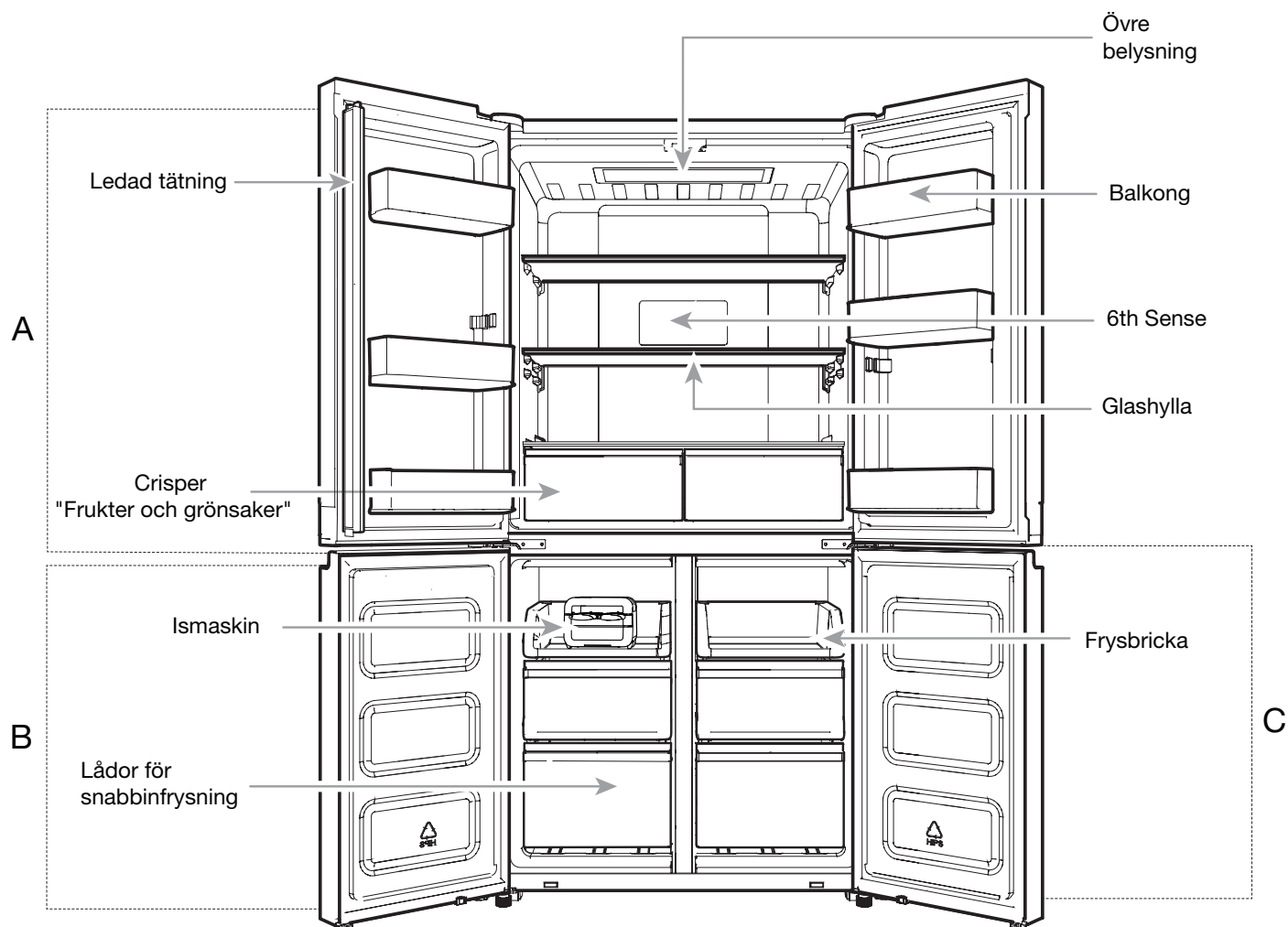
- Ta av dörrarna.
- Lämna hyllorna på plats så att barn inte utan vidare kan klättra in.



Viktig information att känna till om kassering av köldmedel:

Kassera kylskåpet enligt nationella och lokala bestämmelser. Köldmedel måste evakueras av en licensierad köldmedelstekniker enligt fastställda procedurer.

DELAR OCH FUNKTIONER



A . Kylskåp

B . Frys

C . Flexi-frys (endast med WQ9 B1L, 6WM24NIHAS och WQ70900SXX)

INSTALLATIONSANVISNINGAR

Komma igång INSTALLATION - CHECKLISTA

✓ Nätanslutning

⚠ VARNING



Risk för elektriska stötar

- Anslut till ett jordat eluttag.
- Avlägsna inte jordstiftet.
- Använd inte en adapter.
- Använd ingen förlängningskabel.
- Underlåtenhet att följa dessa anvisningar kan leda till dödsfall, eldsvåda eller elektrisk stöt.

- Anslut kylskåpet till ett jordat eluttag.

✓ Dörrar

- Om dörrar behöver avlägsnas under installation, se avsnitten "Demontera och montera kylskåpsdörrar" och "Demontera och montera fryslådans fronter".
- Dörrar sluter helt tätt vid stängning.
- Kylskåpet står i våg. Justera avvägningsfötterna så att de ligger an mot golvet.
- Dörrar är i nivå längs ovansidan. (Använd vid behov funktionen för dörrinriktning.)

✓ Slutliga kontroller

- Avlägsna allt förpackningsmaterial.
- Ställ in temperaturkontroller på de rekommenderade värdena.
- Spara instruktioner och övrig litteratur.
- För att erhålla en mer fullständig assistans, registrera din produkt på www.whirlpool.eu/register.

Packa upp kylskåpet

⚠ VARNING

Fara för tung vikt

Använd två eller fler personer för att flytta och installera kylskåpet.

Underlåtenhet att göra detta kan leda till rygg- eller andra personskador.

Leverans av kylskåp

En min. dörröppning på 838 mm (33") krävs. Om dörröppningen är 914 mm (36") eller mindre måste dörrar, låda och gångjärn avlägsnas.

Transportera kylskåpet från sidan för alla dörröppningar.

När du flyttar kylskåpet:

Kylskåpet är tungt. När det flyttas för rengöring eller service, var noga med att täcka golvet med kartong eller hårdpapp för att undvika golvsador. Dra alltid kylskåpet rakt ut när det flyttas. Vippa eller "gå" inte med kylskåpet när det flyttas eftersom golvet kan skadas.

Avlägsna förpackningen

- Avlägsna tejp och limrester från ytor innan kylskåpet sätts på. Gnugga lite flytande diskmedel över limmet med dina fingrar. Torka av med varmt vatten och torka torrt.
- Använd inte vassa instrument, rengörings-sprit, brandfarliga vätskor eller abrasiva rengöringsmedel för att ta bort tejp eller lim. Dessa produkter kan skada kylskåpets yta.
- Kassera eller återvinn allt förpackningsmaterial.

Rengör före användning

När du har avlägsnat allt förpackningsmaterial, rengör kylskåpet invändigt innan det används. Se instruktionerna för rengöring i avsnittet "Vård av kylskåpet".

Viktig information att känna till om glashyllor och luckor:

Rengör inte glashyllor och luckor med varmvatten när de är kalla. Glashyllor och luckor kan gå sönder om de exponeras för plötsliga temperaturförändringar eller slag och stötar. Tempererat glas är utformat för att splittras i många små, småstensstora bitar. Detta är normalt. Glashyllor och luckor är tunga. Använd båda händerna när de avlägsnas för att inte tappa dem.

Placeringskrav

⚠ VARNING



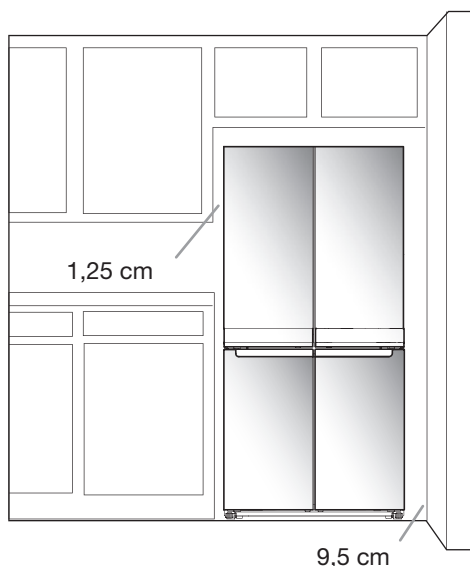
Explosionsrisk

Håll brandfarliga material och ångor, såsom bensin, på säkert avstånd från kylskåpet.

Underlåtenhet att göra detta kan resultera i dödsfall, explosion eller brand.

För att säkerställa korrekt ventilation för kylskåpet, se till att det är ett fritt utrymme på minst 1,25 cm på varje sida och på ovsidan. Se till att det är ett fritt utrymme på minst 5 cm bakom kylskåpet. Om kylskåpet har en ismaskin, lämna extra utrymme på baksidan för anslutning av en vattenledning. När kylskåpet installeras intill en fast vägg, lämna minst 9,5 cm fritt utrymme mellan kylskåpet och väggen så att dörren kan svängas upp.

ANMÄRKNING: Detta kylskåp är avsett att användas på en plats där temperaturen ligger inom området 10 till 43 °C. Den rekommenderade rumstemperaturen för optimala prestanda, som reducerar elförbrukningen och ger den bästa kylningen, är mellan 15 och 32 °C. Vi rekommenderar att du inte installerar kylskåpet nära en värmekälla, t.ex. en ugn eller ett element.



Elektriska krav

⚠ VARNING



Risk för elektriska stötar

Anslut till ett jordat eluttag.

Avlägsna inte jordstiftet.

Använd inte en adapter.

Använd ingen förlängningskabel.

Underlåtenhet att följa dessa anvisningar kan leda till dödsfall, eldsvåda eller elektrisk stöt.

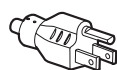
VIKTIGT: Installationen och den elektriska anslutningen måste utföras av en kvalificerad tekniker enligt tillverkarens instruktioner och lokala säkerhetsbestämmelser.

- Kylskåpet är avsett att arbeta via en separat nätanslutning på 220-240 Volt, 10 A, 50/60 Hz.
- Kontrollera att spänningen som anges på typskylten överensstämmer med nätspänningen i ditt hem.
- Det måste gå att frångkoppla produkten från elnätet genom att kopa loss den eller med en tvåpolig huvudströmbrytare installerad uppströms från eluttaget.
- Om nätkabeln är skadad måste den bytas ut av tillverkaren, dennes serviceagent eller någon annan kvalificerad person för att undvika säkerhetsrisker.

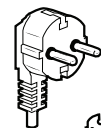
Innan du flyttar kylskåpet till dess slutliga plats är det viktigt att säkerställa att du har en korrekt elektrisk anslutning.

Rekommenderad jordningsmetod

220-240 V / 50 Hz, 220 V / 60 Hz, eller 230/240 V / 50 Hz AC, endast 10 A säkring och jordat eluttag krävs.



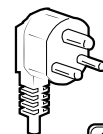
Typ B



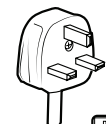
Typ E och F



Typ I



Typ M



Typ G

För Australien och Nya Zeeland:

Din nya produkt har speciellt tillverkats för att uppfylla alla australiska standarder och villkor.

Vissa noteringar i installationsanvisningarna kan avse elektriska krav i andra länder, så vi vill rikta din särskilda uppmärksamhet på dessa specifika noteringar.

Din produkt får endast anslutas till ett jordat eluttag på 230/240 V, 10 A, 50 Hz,

Elektriska krav (endast Storbritannien och Irland)

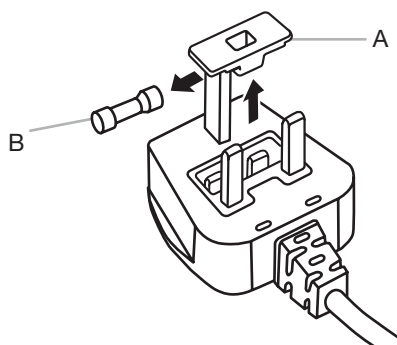
VIKTIGT: Detta kylskåp måste jordas.

Byte av säkring

Om nätkabeln till detta kylskåp är försedd med en BS1363A, 13 A säkrad stickkontakt, ersätt en säkring i denna typ av stickkontakt med en av A.S.T.A. godkänd säkring till typ BS 1362 och gör enligt följande:

1. Avlägsna säkringshållaren (A) och säkringen (B).
2. Sätt i en ny 13 A-säkring i säkringshållaren.
3. Sätt tillbaka både säkringen och dess hållare i kontakten.

VIKTIGT: Säkringshållaren måste sättas tillbaka på plats när en säkring byts ut. Om säkringshållaren förloras får kontakten inte användas förrän en korrekt utbyteshållare installeras. En korrekt hållare identifieras genom den färgade insatsen eller ett färgat ord som är präglat på kontaktens bas. Utbyteshållare finns hos din lokala elbutik.



A. Säkringshållare
B. Säkring

Endast för republiken Irland:

Informationen som ges avseende Storbritannien gäller i regel, men en tredje typ av kontakt och uttag används också, den 2-poliga typen med sidjord.

Eluttag/stickkontakt (gäller för båda länderna):

Om den monterade stickkontakten inte passar ditt eluttag, kontakta Kundtjänst för ytterligare instruktioner. Försök inte att byta stickkontakt på egen hand. Denna procedur måste utföras av en kvalificerad tekniker enligt tillverkarens instruktioner och gällande säkerhetsbestämmelser.

Temperatur

Detta kylskåp är avsett att användas på platser där temperaturen ligger inom följande områden, enligt den klimatklass som anges på typskylten. Kylskåpet kanske inte fungerar korrekt om det lämnas vid en temperatur utanför det specificerade området under en längre tid.

ANMÄRKNING: Vi rekommenderar att du inte installerar kylskåpet nära en värmekälla, t.ex. en ugn eller ett element.

Klimatklass	Omgiv. T. (°C)	Omgiv. T. (°F)
SN	Från 10 till 32	Från 50 till 90
N	Från 16 till 32	Från 61 till 90
ST	Från 16 till 38	Från 61 till 100
T	Från 16 till 43	Från 61 till 110

Demontera och montera kylskåpsdörrar

ANMÄRKNING: Mät bredden på din dörröppning för att se hurvida du behöver demontera kylskåpsdörrarna för att flytta in kylskåpet i ditt hem. Om demontering är nödvändig, se följande instruktioner.

VIKTIGT: Om kylskåpet har installerats tidigare och du ska flytta ut det från hemmet, stäng av kylskåpskontrollen innan du börjar demontera dörrarna. Koppla loss kylskåpet från elnätet eller fränkoppla strömmen. Avlägsna mat och justerbar dörr eller fack från dörrarna.

Samla ihop de nödvändiga verktygen och läs alla instruktioner innan dörrarna demonteras.

VERKTYG SOM BEHÖVS: 6 mm hylsnyckel, 5 mm hylsnyckel och stjärnskruvmejsel nr 2.



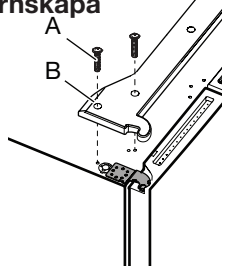
⚠ VARNING

Risk för elektriska stötar

Kopp loss kylskåpet från elnätet innan dörrar avlägsnas.

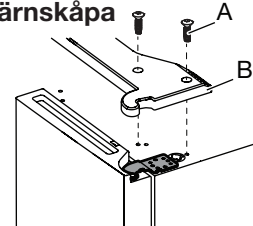
Underlåtenhet att göra detta kan resultera i dödsfall eller elektriska stötar.

Övre vänster gångjärnskåpa



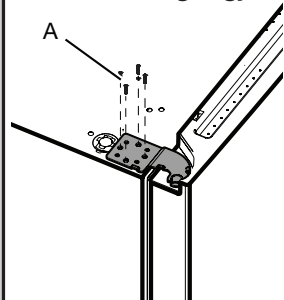
- A. Skruvar för övre gångjärnskåpa
- B. Övre gångjärnskåpa

Övre höger gångjärnskåpa



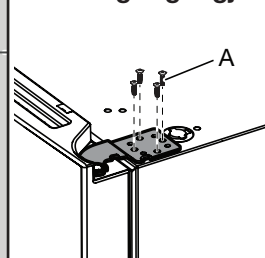
- A. Skruvar för övre gångjärnskåpa
- B. Övre gångjärnskåpa

Övre vänster gångjärn



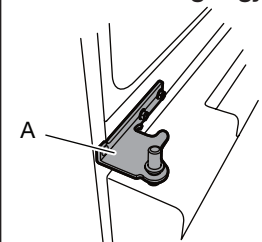
- A. 5 mm sockelskruvar

Övre höger gångjärn



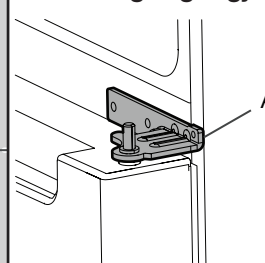
- A. 5 mm sockelskruvar

Mittre vänster gångjärn

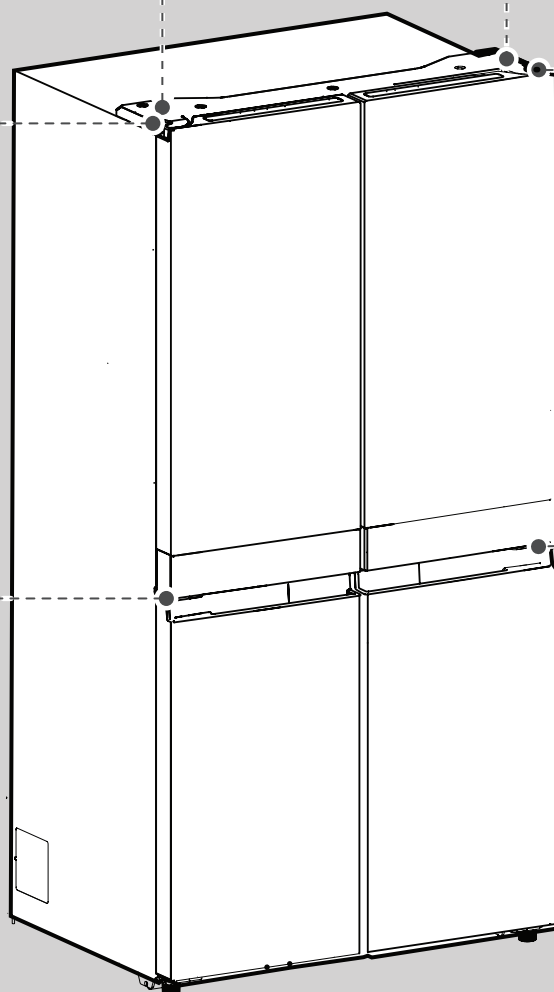


- A. Gångjärn

Mittre höger gångjärn



- A. Gångjärn



⚠ VARNING

Fara för tung vikt

Var två eller flera personer för att lyfta kylskåpsdörren.
Underlåtenhet att göra det kan leda till rygg- eller andra personskador.

Demontera kylskåpsdörrar

⚠ VARNING



Risk för elektriska stötar

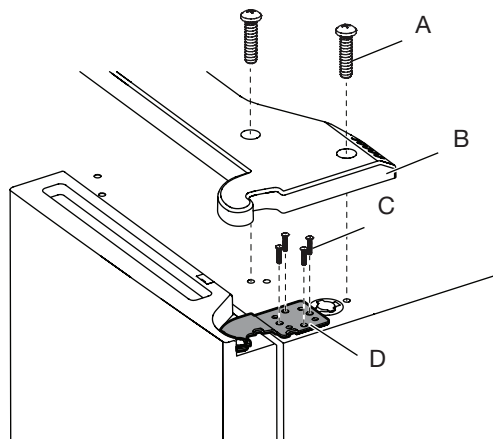
Kopp loss kylskåpet från elnätet innan dörrar avlägsnas.
Underlåtenhet att göra detta kan resultera i dödsfall eller elektriska stötar.

Demontera den högra dörren

1. Koppla loss kylskåpet från elnätet eller frånkoppla strömmen.
2. Håll kylskåpsdörrarna stängda tills du är redo att lyfta av dem från skåpet.

ANMÄRKNING: Ge kylskåpsdörren ytterligare stöd medan gångjärnen avlägsnas. Lita inte på dörrtätningens magneter för att hålla dörren på plats medan du arbetar.

3. Med en stjärnskruvmejsel, avlägsna kåpan från det övre gångjärnet.
4. Med en 5 mm hylsnyckel, avlägsna fyra skruvar från det övre gångjärnet och lägg dem åt sidan.



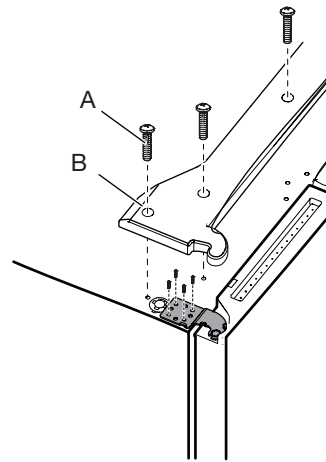
- A. Skruv övre gångjärnskåpa
B. Övre gångjärnskåpa
C. 5 mm sockelskruvar
D. Övre gångjärn

5. Lyft av kylskåpsdörren från den mittre gångjärnsbulten. Det övre gångjärnet lossnar tillsammans med dörren.

Demontera den vänstra dörren

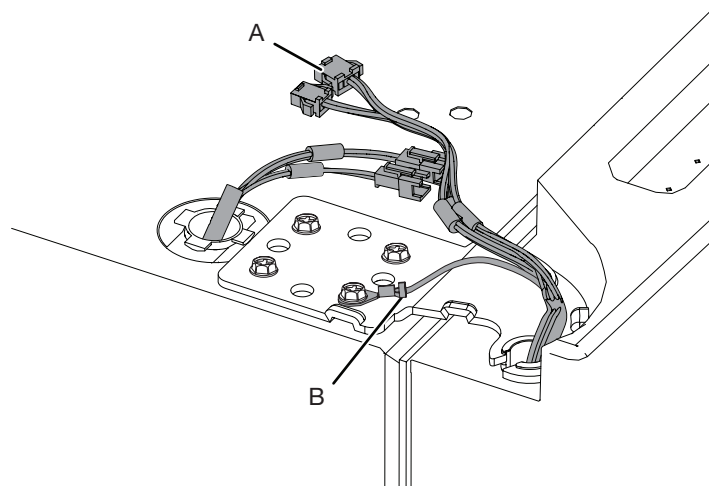
VIKTIGT: Ledningsdragningen för UI löper genom den vänstra dörrens gångjärn, så de måste kopplas loss innan dörren demonteras.

1. Med en stjärnskruvmejsel, avlägsna kåpan från det övre gångjärnet.



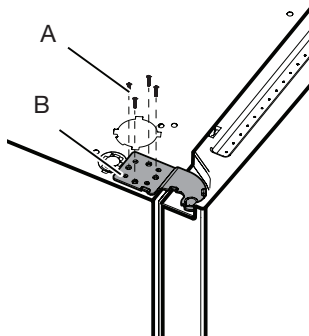
- A. Skruv övre gångjärnskåpa
B. Övre gångjärnskåpa

2. Koppla loss de två ledningspluggarna som sitter ovanpå dörrgångjärnet.
 - Ta tag på vardera sida av ledningspluggarna. Med vänster tumme, tryck nedåt för att frigöra spärren och dra isär pluggarnas sektioner.



- A. Ledningsplugg
B. Jordkontakt

3. Med en 5 mm hylsnyckel, avlägsna fyra invändiga skruvar från det övre gångjärnet och lägg dem åt sidan.



- A. 5 mm sockelskruvar
B. Övre gångjärn

ANMÄRKNING: Ge kylskåpsdörren ytterligare stöd medan gångjärnen avlägsnas. Lita inte på dörrtätningens magneter för att hålla dörren på plats medan du arbetar.

4. Lyft av kylskåpsdörren från den nedre gångjärnsbulten. Det övre gångjärnet lossnar tillsammans med dörren.

ANMÄRKNING: Det kanske inte är nödvändigt att avlägsna de nedre gångjärnen och bromsfotenheterna för att flytta kylskåpet genom en dörröppning.

- Endast om nödvändigt, använd en 6 mm hylsnyckel och stjärnskruvmejsel nr 2 för att avlägsna det mittere gångjärnet.

Montera höger kylskåpsdörr

1. Placera den högra dörren på den mittere gångjärnsbulten.
2. För in den övre gångjärnsbulten i det öppna hålet i toppen av kylskåpsdörren.
3. Med fyra 5 mm sockelskruvar, fäst gångjärnet vid skåpet. Dra inte åt skruvarna helt.

Montera vänster kylskåpsdörr

1. Placera den vänstra dörren på den mittere gångjärnsbulten.
2. Med fyra 5 mm sockelskruvar, fäst gångjärnet vid skåpet. Dra inte åt skruvarna helt.
3. Återanslut de elektriska ledningarna.
 - Tryck ihop ledningspluggens två sektioner.
 - Återanslut jordledaren till gångjärnsskruven.

Slutliga steg

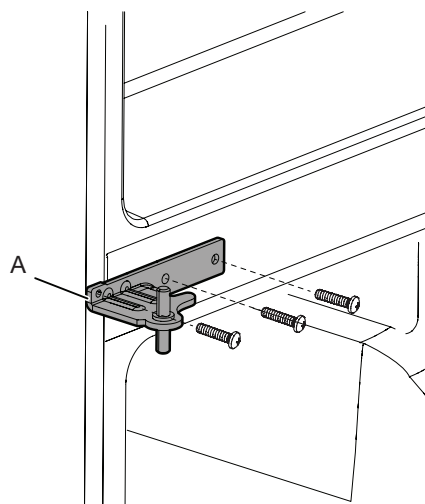
1. Dra åt åtta 5 mm sockelskruvar helt.
2. Sätt tillbaka de övre gångjärnsskåporna på plats.

Demontera och montera Freezer/Flexi Freeze-dörr

1. Håll frysdörrarna stängda tills du är redo att lyfta av dem från skåpet.

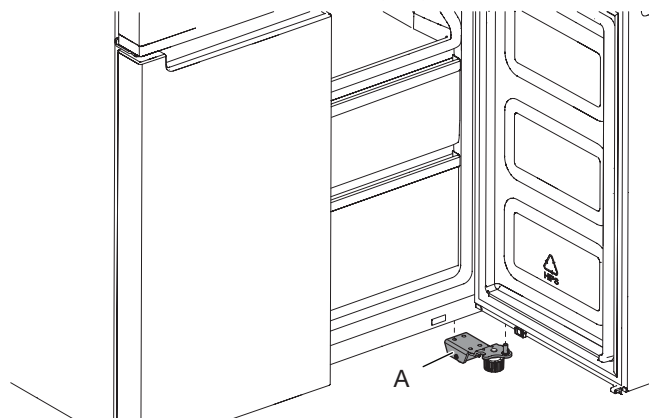
ANMÄRKNING: Ge frysdörren ytterligare stöd medan gångjärnen avlägsnas. Lita inte på dörrtätningens magneter för att hålla dörren på plats medan du arbetar.

- Med en stjärnskruvmejsel nr 2 och en 6 mm hylsnyckel, avlägsna det mittere gångjärnet från skåpet.



A. Mittere gångjärn

- Lyft av frysdörren från den nedre gångjärnsbulten.



A. Nedre gångjärn

⚠ VARNING



Risk för elektriska stötar

Anslut till ett jordat eluttag.

Avlägsna inte jordstiftet.

Använd inte en adapter.

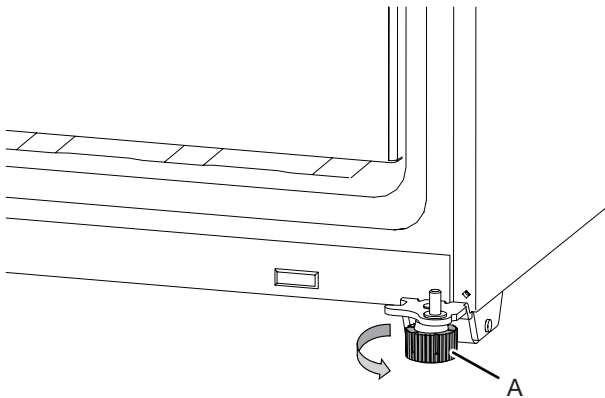
Använd ingen förlängningskabel.

Underlåtenhet att följa dessa anvisningar kan leda till dödsfall, eldsvåda eller elektrisk stöt.

1. Anslut till ett jordat eluttag.
2. Återför alla löstagbara delar och matvaror till lådorna.

Avvägning av kylskåp

1. Flytta kylskåpet till dess slutliga plats.
2. Vrid bromsfötterna för hand. Vrid dem moturs tills rullarna är ovanför golvet och båda bromsfötterna ligger an mot golvet. Detta hindrar kylskåpet från att rulla framåt när dörrarna öppnas.



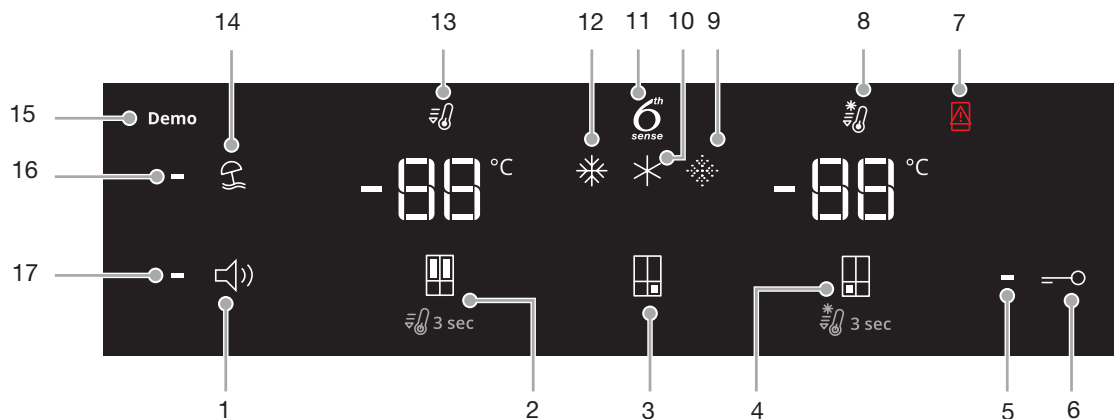
A. Bromsfötter

VIKTIGT: Om du behöver göra ytterligare justeringar som inbegriper bromsfötterna måste du vrida båda bromsfötterna lika mycket för att hålla kylskåpet i våg.

3. Använd ett vattenpass för att säkerställa att kylskåpet är i våg från sida till sida och från framkant till bakkant.

Använda kontrollerna

De tryckaktiverade kontrollerna sitter på den vänstra kylskåpsdörren. Kontrollpanelen inkluderar information om olika knappar och indikatorer. Indikatorerna för kyl- och frystemperatur visar de senaste temperaturbörvärdena.



1. Sound On/Off-knapp (Ljud På/Av)
2. Knapp för kylskåpstemperatur (håll intryckt i 3 sekunder för Fast Cool)
3. Förinställd temperatur-knapp för Flexi-frys (endast med WQ9 B1L, 6WM24NIHAS och WQ70900SXX)
4. Knapp för frystemperatur (håll intryckt i 3 sekunder för Fast Freeze)
5. Knapplås-indikator
6. Knapplås-knapp
7. Indikator för öppen dörr
8. Fast Freeze-indikator
9. Soft Freeze-indikator (endast med WQ9 B1L, 6WM24NIHAS och WQ70900SXX)
10. Mild Freeze-indikator (endast med WQ9 B1L, 6WM24NIHAS och WQ70900SXX)
11. 6th Sense-indikator
12. Traditionell Freeze-indikator (endast med WQ9 B1L, 6WM24NIHAS och WQ70900SXX)
13. Fast Cool-indikator
14. Holiday Mode-knapp (Semesterläge)
15. Demo Mode-indikator (endast med WQ9 B1L, 6WM24NIHAS och WQ70900SXX)
16. Holiday Mode-indikator
17. Ljud-indikator

Kontrollpanelen stängs av automatiskt efter en minuts inaktivitet. Tryck på någon knapp för att sätta på kontrollpanelen igen.

-88 Visning och justering av temperaturbörvärden

Justera temperaturen i kyl- och frysavdelningar:

För din bekvämlighet har kontrollerna för ditt kylskåp och din frys förinställts på fabriken.

När du installerar kylskåpet första gången, verifiera att kontrollerna fortfarande är inställda på de rekommenderade börvärdena. Fabriken rekommenderade börvärden är 3°C för kylskåpet och -18°C för frysen.

Genom att trycka på kyl- eller frystemperaturknappen växlar du genom temperaturbörvärdena i grader Celsius (°C).

VIKTIGT:

- Vänta 24 timmar innan du lägger in matvaror i kylskåpet. Om du lägger in mat innan kylskåpet har kallnat helt kan maten förstöras.

ANMÄRKNING: Att justera börvärdena till en inställning kallare än rekommenderat kylar inte avdelningarna snabbare.

- Om temperaturen är för varm eller för kall i kylskåpet eller frysen, kontrollera först att luftventilationen inte är blockerad innan kontrollerna justeras.
 - De rekommenderade inställningarna bör vara korrekta för normalt hushållsbruk. Kontrollerna är korrekt inställda när mjölk eller juice är så kall som du önskar och isglass är fast.
- ANMÄRKNING:** Platser såsom ett garage, en källare eller en veranda kan ha högre luftfuktighet eller extrema temperaturer. Du kan behöva justera temperaturen utanför de rekommenderade inställningarna för att kompensera för dessa förhållanden.
- Vänta minst 24 timmar mellan justeringar. Kontrollera temperaturerna på nytt innan andra justeringar görs.

6th 6th Sense Fresh Lock och fryskontroll

Sensorn 6th SENSE Fresh Lock säkerställer en noggrann och konsekvent temperaturkontroll för att bevara färsk mat under en längre tid, på det mest naturliga sättet. När en temperaturvariation detekteras aktiveras sensorn en kompressor som snabbt återställer originaltemperaturen.

Sensorn 6th SENSE Freeze minimerar temperaturfluktuationer i frysen tack vare ett innovativt temperaturhanteringssystem. Frysbrännskador reduceras för att bevara matens kvalitet och färg.

Flexi Freeze-inställning (endast med WQ9 B1L, 6WM24NIHAS och WQ70900SXX)

Med funktionen Flexi Freeze kan du växla den förinställda temperaturen för Flexi Freeze-avdelningen.

Symbol	Funktion	Temperatur
☼	Traditionell frys	-18°C
✧	Mild frys	-12°C
☼	Mjuk frys	-7°C

* För att aktivera/inaktivera den kallaste inställningen (-20°C), håll knappen Förinställd Flexi Freeze-temperatur ☼ intryckt i 3 sekunder. När den kallaste inställningen aktiveras tänds alla tre ikoner.

Justera multitemperaturinställning

- Traditionell frys (-18°C): Redan fryst mat och färsk mat (max. 12 månader)
- Mild frys (-12°C): Redan fryst mat (max. 1 månad)
- Mjuk frys (-7°C): Redan fryst mat (max. 1 vecka)



- Med Flexible Freezer inställd på -18°C eller -20°C sänks både Flexible Freezer-temperaturen och Freezer-temperaturen till den kallaste inställningen som antingen Freezer eller Flexible Freezer har.
- Temperaturen i Flexible Freezer-avdelningen kanske inte kan nå -7°C om omgivningstemperaturen är kring 10°C eller kallare.

När temperaturbörvärden justeras, använd följande tabell som en guide:

FÖRHÅLLANDE	TEMPERATURJUSTERING:
Kyl för kall	Kylinställning 1° högre
Kyl för varm	Kylinställning 1° lägre
Frys för kall	Frysinställning 1° högre
Frys för varm / för lite is	Frysinställning 1° lägre



Fast Cool

Funktionen Fast Cool hjälper till under perioder med hög kylskåpsanvändning, fulla laster av livsmedel eller tillfälligt varma rumstemperaturer.

- För att sätta på Fast Cool-funktionen, håll knappen Kylskåpstemperatur  intryckt i 3 sekunder. När funktionen aktiveras tänds Fast Cool-ikonen. Funktionen Fast Cool förblir aktiverad i 2 timmar, såvida den inte stängs av manuellt.
- För att manuellt stänga av Fast Cool-funktionen, håll knappen Kylskåpstemperatur  intryckt i 3 sekunder. Fast Cool-ikonen slocknar när funktionen inaktiveras.
- Justering av kylskåpets temperatur stänger automatiskt av Fast Cool-funktionen.

Fast Freeze

Mängden färsk mat (i kg) som kan frysas in på 24 timmar anges på produktens typskylt.

- Håll knappen Frystemperatur  intryckt i 3 sekunder (tills Fast Freeze-indikatorn tänds), 24 timmar innan du lägger in färsk mat i frysen. När den färska maten har lagts in i frysen räcker det i regel med att ha Fast Freeze-funktionen aktiverad i 24 timmar. Efter 50 timmar inaktiveras Fast Freeze-funktionen automatiskt.
- För att manuellt stänga av Fast Freeze-funktionen, håll knappen Frystemperatur  intryckt i 3 sekunder. Fast Freeze-ikonen slocknar.
- Justering av frysens temperatur stänger automatiskt av Fast Freeze-funktionen.

Holiday Mode (Semesterläge)

Detta läge är avsett att se till att din produkt inte slösar energi under tidsperioder när produkten inte används regelbundet (t.ex. när du är på semester).

Genom att välja denna funktion ställs temperaturen i kylskåpsavdelningen automatiskt in på 12°C .

- För att använda semesterläget, håll Mode-knappen intryckt tills Holiday Mode-indikatorn tänds på displayen.
- För att gå ur semesterläget, håll Mode-knappen intryckt tills ingen Mode-ikon är tänd på displayen.
- Justering av kylskåpets temperatur stänger automatiskt av Holiday Mode-funktionen.

VIKTIGT: När detta läge väljs måste all mat och alla drycker avlägsnas från kylskåpsavdelningen.

Sound On/Off (Ljud På/Av)

Tryck på denna knapp för att aktivera/inaktivera produktens ljudåtergivning.

Knappplås

- Håll Lås-knappen intryckt i 3 sekunder för att aktivera låsfunktionen.
- För att inaktivera låset, håll Lås-knappen intryckt i 3 sekunder. Låsfunktionen ignorerar all interaktion med kontrollpanelen tills användaren låser upp kontrollpanelen. Denna funktion är avsedd att förhindra oavsedda ändringar av inställningar.

Demo Mode (endast med WQ9 B1L, 6WM24NIHAS och WQ70900SXX)


Detta läge används när kylskåpet visas upp i en butik eller om du vill stänga av kylningen och inaktivera alla andra funktioner (utom den invändiga belysningen).

Demo Mode kan användas när du åker på semester. Se avsnittet "Skötsel inför semester och flyttning" för lämpliga steg när du lämnar kylskåpet i detta läge under långa tidsperioder.

- När du aktiverar Demo Mode tänds ikonen "Demo" på displayen.
- Gå in i eller ur Demo Mode genom att hålla Sound On or Off-knappen och Lås-knappen intryckta samtidigt i 3 sekunder.

Ytterligare funktioner

Larm för öppen dörr

- Larmet för öppen dörr ljuder och ikonen "Öppen dörr"  blinkar när någon av de fyra dörrarna är öppen i 2 minuter eller längre.
- Larmet upprepas var 5:e minut. Stäng alla dörrar för att stänga av larmet.

ANMÄRKNING: För att stänga av ljudlarmet medan dörrarna hålls öppna, t.ex. under invändig rengöring av kylskåpet, tryck på någon knapp på kontrollpanelen. Larmljudet stängs tillfälligt av, men ikonen Öppen dörr visas fortfarande på kontrollpanelen.

Kylskåpets belysning

Kylskåpet har en invändig lampa som tänds varje gång dörren öppnas.

ANMÄRKNING: Lampan är en lysdiod (LED) som inte behöver bytas ut. Om lysdioden inte tänds när dörren öppnas, kontakta service för att byta ut lampan.

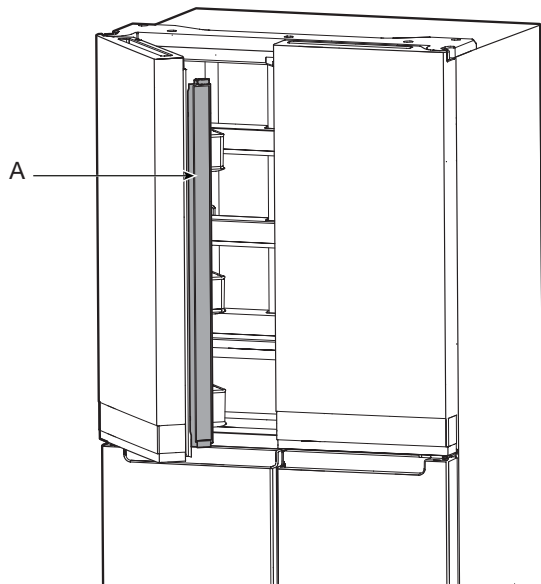
ANVÄNDNING AV KYLSKÅP

Öppning och stängning av dörrar

Det finns två dörrar till kylavdelningen. Dörrarna kan öppnas och stängas separat eller tillsammans. Det sitter en vertikalt ledad tätning på den vänstra kylskåpsdörren.

- När den vänstra dörren öppnas viks tätningen automatiskt inåt så att den inte är i vägen.
- När båda dörrarna är stängda bildar tätningen automatiskt en tätning mellan de två dörrarna.

ANMÄRKNING: När dörren stängs ska den ledade tätningen vara i korrekt position (böjd inåt). Annars kommer den att stöta på den högra dörren eller fixeringsaxeln.

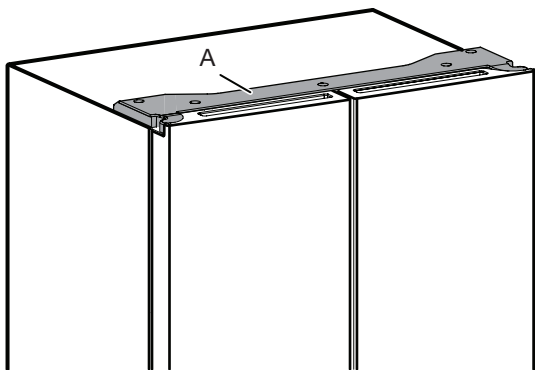


A. Ledad tätning

Kylavdelningens dörrkontakt sitter i övre vänster och höger gångjärnsåpa.

- För frys- och multitemperaturzon sitter dörrkontakten i den nedre spröjsen.
- Dörrkontakten använder en magnet för att avkänna dörröppning/stängning.
- Se till att det inte finns någon magnet eller elektronisk enhet (högtalare, CoolVox®, etc.) inom 7,62 cm från gångjärnsåpan.

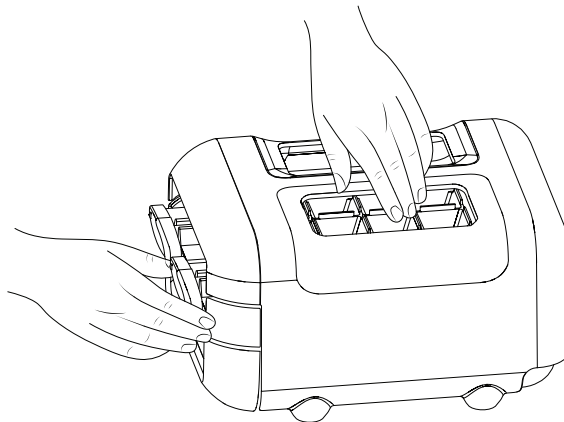
ANMÄRKNING: Lampan aktiveras inte om dörrens öppning inte detekteras.



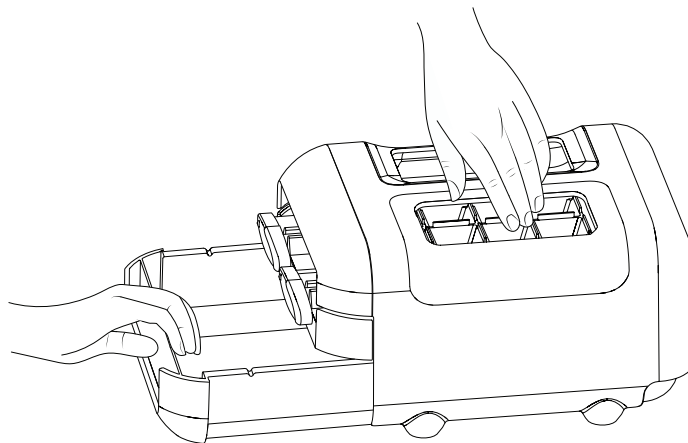
A. Gångjärnsåpa

Ismaskin

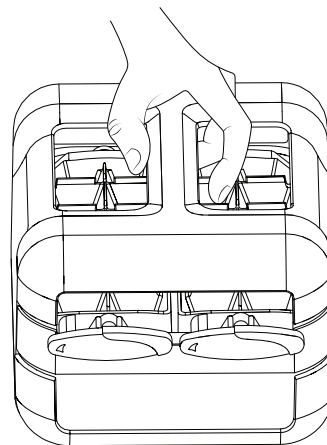
- För att göra is, fyll isbrickan med renat vatten och placera den manuella ismaskinen på frysens övre hylla. Vänta tills is har bildats och när isen är redo, vrid rattarna medurs för att mata ut isbitar i isbehållaren.



- Lyft upp isbehållaren något och dra ut isbehållaren för att komma åt iskuberna.



Den manuella ismaskinen kan tas ut ur frysen när is inte behövs för att skapa mer utrymme i frysen.



Förvaring av mat

Förvaring av ägg

Vi rekommenderar att ägg förvaras vid en konsekvent temperatur för att bibehålla äggens fräschhet, så det bästa är att förvara dem i kylan på den mitre hyllan.

HYLLOR, FACK OCH LÅDOR

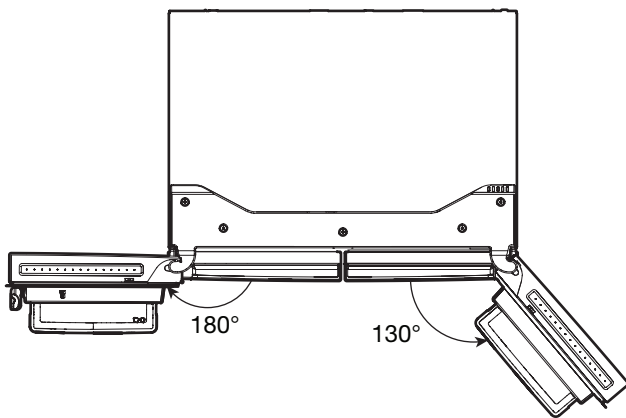
Viktig information att känna till om glashyllor och luckor:

Rengör inte glashyllor och luckor med varmvatten när de är kalla. Glashyllor och luckor kan gå sönder om de exponeras för plötsliga temperaturförändringar eller slag och stötar. Tempererat glas är utformat för att splittras i många små, småstensstora bitar. Detta är normalt. Glashyllor och luckor är tunga. Använd båda händerna när de avlägsnas för att inte tappa dem.

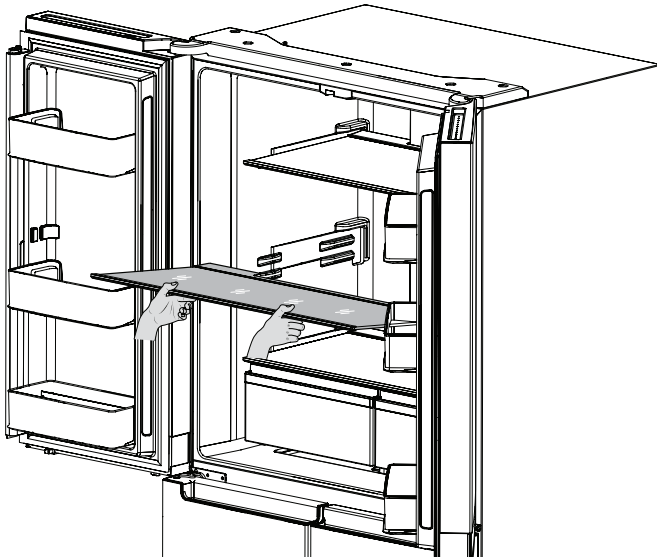
Justera hyllhöjder

Hyllhöjden kan justeras genom att ändra hyllans placering från det nedre stödet till det övre stödet och vice versa.

- Öppna den högra sidodörren helt.
- Öppna den vänstra sidodörren helt och lyft sedan dörren för att öppna 180°.



- Ta ut hyllan från kylskåpet och placera den i önskad position.



- Se till att hyllan är korrekt placerad på hyllfästena.

Hyllor och hyllramar

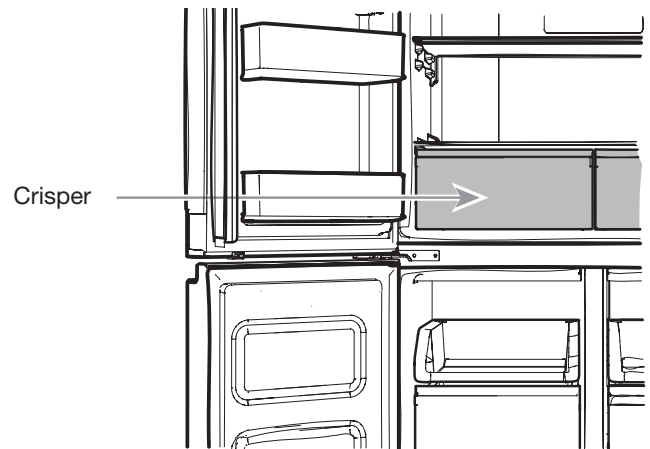
Hyllorna i kylskåpet går att justera för att uppfylla dina personliga förvaringsbehov.

Förvaring av liknande varor tillsammans i kylskåpet och justering av hyllorna för att passa varor med olika höjder gör det enklare att hitta exakt den vara du söker. Detta reducerar också tiden som kylskåpet är öppet, vilket sparar energi.

För att avlägsna och sätta tillbaka hyllor:

1. Öppna den högra sidodörren helt och öppna den vänstra sidodörren helt och lyft vänster dörr för att öppna 180°.
2. Avlägsna mitten- eller topphyllan genom att lyfta den uppåt och ut från hyllstöden. Dra sedan hyllan framåt och vinkla den nedåt till en vertikal position. Vrid hyllan till en vinkel och dra ut den ur kylskåpet.
3. Avlägsna bottenhyllan genom att lyfta den uppåt och ut från hyllstöden. Dra sedan hyllan framåt och vinkla den uppåt till en vertikal position. Vrid hyllan till en vinkel och dra ut den ur kylskåpet.
4. Sätt tillbaka mitten- och topphyllorna genom att föra in hyllan i kylskåpet i en vinkel med hyllfronten nedåt. Lyft hyllans front uppåt och för in tills hyllans bakre kant faller ned i hyllstöden. Sänk hyllans front och se till att hyllan sitter säkert på plats.
5. Sätt tillbaka bottenhyllan genom att föra in hyllan i kylskåpet i en vinkel med hyllan uppåt. Lyft ned hyllans front och för in tills hyllans bakre kant faller ned i hyllstöden. Sänk hyllans front och se till att hyllan sitter säkert på plats.

Crisper-lådor

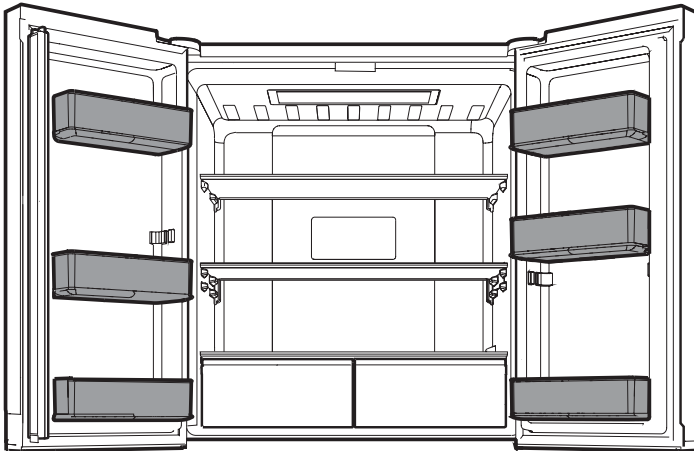


För att avlägsna och sätta tillbaka crisper-lådorna:

1. Ta tag i crisper-lådans handtag och för lådan rakt ut till stoppet. Lyft av lådan från bottenguiden.
2. Sätt tillbaka crisper-lådan genom att placera den på den nedre crisper-guiden och trycka den förbi crisper-stoppet till dess position.

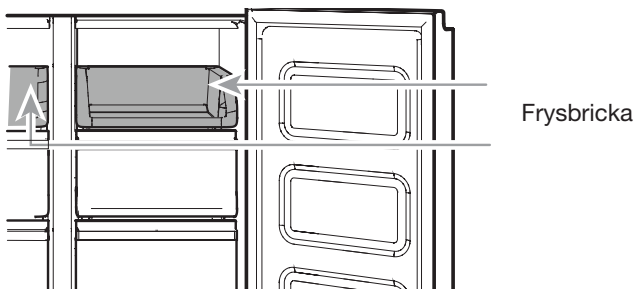
Kylskåpets balkonger

Balkongen i kylskåpet går att justera för att uppfylla dina personliga förvaringsbehov.



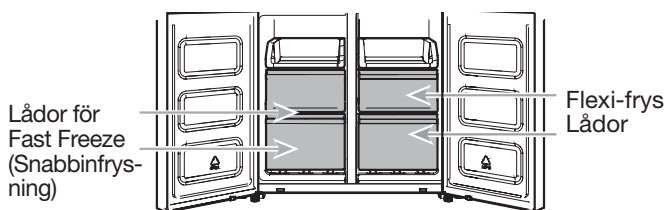
Frysavdelningar

Frysbricka



Frysbrickan är användbar för att enkelt komma åt produkter som ofta används, för infrysning eller för att helt enkelt förvara rester eller små matvaror.

Fryslådor



Avdelning för Fast Freeze (Snabbinfrysning)

- Fast Freeze-lådorna ger dig möjlighet att förvara stora matvaror på ett praktiskt sätt.
- Med Fast Freeze kan du förvara all din frysta mat säkert och översiktligt.

ANMÄRKNING: Temperaturen i frysen kan sänkas till att vara densamma som Flexible Freezer Compartment-temperaturen, när frysen ställs in på en varmare temperatur än Flexible Freezer-avdelningen.

Flexi Freeze-avdelning (endast med WQ9 B1L, 6WM24NIHAS och WQ7090SXX)

För Flexi Freeze-avdelningen kan du välja en av tre frystemperaturnivåer: -7 °C, -12 °C och -18 °C för att skapa de bästa förvaringsförhållandena för olika typer av mat.

För maximal fryskapacitet kan du avlägsna fryslådan för att frilägga fryshyllan.

För att avlägsna den övre lådan:

1. Ta tag i lådans handtag och för lådan rakt ut till stoppet. Lyft av lådan från bottenguiden.
2. Sätt tillbaka lådan genom att placera den på den nedre lådguiden och trycka den förbi lådstoppet till dess position.

Fryshylla (endast med WQ9 E1L och WQ9 B1L)

För att maximera fryskapaciteten kan du avlägsna den mitterre lådan för att frilägga fryshyllan nedanför. Du kan sedan lägga undan den övre lådan för förvaring och lägga mat direkt på hyllan.

Ljudreferens

Tontilldelning

Namn på ton	Exempel på användning
Ström På	Kylsystemet aktiveras varje gång produkten sätts på.
Knapptryckning	Användaren trycker på en giltig knapp.
Ogiltig (Fel)	Användaren trycker samtidigt på två eller fler knappar. Nedräkningsavbrott för håll-intrycktknappar.
Engagera	Bekräftelse på ingång i något läge.
Frigör	Bekräftelse på utgång från något läge.
Varning	Varning om dörr på glänt

Denna tabell är endast en snabbreferens. Se motsvarande sektioner för detaljer. I händelse av motstridighet gäller informationen i respektive avsnitt.

Tillbehör

För att beställa tillbehör, kontakta återförsäljaren som du köpte kylskåpet av.

Assistans eller Service

Innan du ringer för assistans eller service, var god se avsnittet "Felsökning". Det kan bespara dig kostnaden för ett servicesamtal. Om du fortfarande behöver hjälp, följ instruktionerna nedan.

Om du behöver utbytesdelar

För att lokalisera fabriksspecificerade utbytesdelar i ditt område, kontakta återförsäljaren som du köpte kylskåpet av.

Garanti

Kontakta återförsäljaren som du köpte kylskåpet av för garantiinformation.

Förvara denna bok och ditt kassakvitto tillsammans för framtida referens. Du måste kunna bevisa ditt inköp eller installationsdatumet för service under garantin.

Skriv ned följande information om din produkt för att hjälpa dig erhålla assistans eller service om du skulle behöva detta. Du behöver veta ditt kompletta modellnummer och serienummer. Du hittar denna information på modell- och serienumeretiketten som sitter på den inre väggen i kylavdelningen.

Återförsäljarens namn _____

Serienummer _____

Adress _____

Telefonnummer _____

Modellnummer _____

Inköpsdatum _____

VÅRD AV KYLSKÅPET

Rengöring

VARNING



Explosionsrisk

Använd ett icke brandfarligt rengöringsmedel.

Underlåtenhet att göra detta kan resultera i dödsfall, explosion eller brand.

Alla kyl-, frys- och Flexi Freeze-sektioner (endast med WQ9 B1L, 6WM24NIHAS och WQ70900SXX) avfrostas automatiskt. Rengör dock alla sektioner ungefär en gång i månaden för att undvika bildning av odörrer. Torka upp spill omedelbart.

Utvändig rengöring

Var god se informationen om utvärdig rengöring som är specifik för din modell.

Stil 1 – Slät dörr

VIKTIGT: Skador på slät finish på grund av olämplig användning av rengöringsprodukter eller användning av icke rekommenderade rengöringsprodukter täcks inte av garantin. Vassa eller trubbiga instrument gör märken i finishen.

ANVÄND	ANVÄND INTE
✓ Mjuk och ren duk	✗ Abrasiva dukar ✗ Pappershanddukar eller tidningspapper ✗ Stålull
✓ Varmt tvålatten med ett mildt rengöringsmedel	✗ Abrasiva pulver eller vätskor ✗ Fönstersprayer ✗ Ammoniak ✗ Sura eller ättiksbaseade rengöringsmedel ✗ Ugnrensrengöringsmedel ✗ Antändliga vätskor

ANMÄRKNING: Pappershanddukar repar och kan göra den målade dörrrens klara beläggning matt. För att undvika risk för skador, använd endast mjuka och rena dukar för att polera och torka av dörrarna.

Stil 2 – Rostfritt stål

VIKTIGT:

- Använd endast rengöringsmedel och dukar som rekommenderas för rostfritt stål. Skador på finish av rostfritt stål på grund av olämplig användning av rengöringsprodukter eller användning av icke rekommenderade rengöringsprodukter täcks inte av garantin.
- Undvik att exponera hushållsapparater av rostfritt stål för salthaltiga eller fuktiga miljöer. Skador på grund av exponering för dessa miljöer täcks inte av garantin.

ANVÄND	ANVÄND INTE
✓ Mjuk och ren duk	✗ Abrasiva dukar ✗ Pappershanddukar eller tidningspapper ✗ Stålull
✓ Varmt tvålatten med ett mildt rengöringsmedel	✗ Abrasiva pulver eller vätskor ✗ Ammoniak ✗ Citrusbaseade rengöringsmedel ✗ Sura eller ättiksbaseade rengöringsmedel ✗ Ugnrensrengöringsmedel
✓ För svår smuts, använd endast ett rengöringsmedel för rostfritt stål som är avsett för hushållsapparater. För att beställa rengöringsmedlet, kontakta återförsäljaren som du köpte kylskåpet av.	✗ Rengöringsmedel för rostfritt stål är endast avsett för delar av rostfritt stål. Låt inte rengöringsmedel och polermedel för rostfritt stål komma i kontakt med plastdelar såsom trimdelar, dispenseråpor eller dörrtätningar.

Stil 3 – Fingeravtryck-resistent rostfritt

VIKTIGT:

- Undvik att exponera hushållsapparater av rostfritt stål för salthaltiga eller fuktiga miljöer. Skador på grund av exponering för dessa miljöer täcks inte av garantin.

ANVÄND	ANVÄND INTE
✓ Mjuk och ren duk	✗ Abrasiva dukar ✗ Pappershanddukar eller tidningspapper ✗ Stålull
✓ Varmt tvålatten med ett mildt rengöringsmedel	✗ Abrasiva pulver eller vätskor ✗ Fönstersprayer ✗ Ammoniak ✗ Sura eller ättiksbaseade rengöringsmedel ✗ Ugnrensrengöringsmedel ✗ Antändliga vätskor

ANMÄRKNINGAR:

- Om oavsiktlig kontakt inträffar, rengör plastdelen med en svamp och ett mildt rengöringsmedel i varmt vatten. Torka noga med en mjuk duk.
- Bara för att ett rengöringsmedel är en vätska innebär inte detta att det inte kan vara abrasivt. Många flytande rengöringsmedel formulerade att vara skonsamma mot kakel och släta ytor kan fortfarande skada rostfritt stål.
- Citronsyra missfärgar permanent rostfritt stål.
- För att inte skada finishen på ditt kylskåp av rostfritt stål:

Låt inte dessa ämnen vara kvar på finishen:

- ✗ Senap
- ✗ Citrusbaseade såser
- ✗ Tomatjuice
- ✗ Citrusbaseade produkter
- ✗ Marinadsås

Invändig rengöring

1. Koppla loss kylskåpet från elnätet eller frånkoppla strömmen.
2. Handtvätta, skölj och torka löstagbara delar och invändiga ytor noga. Använd en ren svamp eller mjuk duk och ett mildt rengöringsmedel i varmt vatten.

ANMÄRKNING: Använd inte abrasiva eller skarpa rengöringsmedel såsom fönstersprayer, skurmedel, brandfarliga vätskor, rengöringsvaxer, koncentrerade tvättmedel, blekmedel, eller rengöringsmedel som innehåller petroleumprodukter, på plastdelar, inre foder och dörrfoder, eller tätningar.

3. Anslut kylskåpet till elnätet eller slå på strömmen.

Kondensor

Detta kylskåp har en ytkondensor på båda sidor av kylan. Det är normalt att sidorna känns varma.

Belysning

Lamporna i både kyl- och frysavdelningarna är lysdioder (LED) som inte behöver bytas ut. Om lamporna inte tänds när dörren öppnas, kontakta återförsäljaren som du köpte kylskåpet av.

Vård vid semester och flyttning

Semester

Om du väljer att lämna kylskåpet påslaget medan du är borta:

1. Förbruka färskvaror och frys in övriga varor.
2. Om kylskåpet har en automatisk ismaskin och är ansluten till hushållets vattenförsörjning, stäng av vattenförsörjningen till kylskåpet. Materiella skador kan uppstå om vattenförsörjningen inte stängs av.
3. Om du har en automatisk ismaskin, stäng av ismaskinen.
 - Ställ strömbrytaren i läge Av (O) för ismaskinen i dörren.
4. Töm isbehållaren.

Om du väljer att stänga av kylskåpet medan du är borta:

ANMÄRKNING: Ställ kylskåpet i Demo Mode när du åker på semester. Se avsnittet "Använda kontrollerna".

1. Ta ur all mat från kylskåpet.
2. Om kylskåpet har en automatisk ismaskin:
 - Stäng av vattenförsörjningen till ismaskinen minst 1 dag i förväg.
 - När den sista satsen av is faller, ställ strömbrytaren i läge Av (O) så att displayen inte är tänd på den övre insidan av ditt kylskåp, beroende på din modell.
3. Töm isbehållaren.
4. Stäng av temperaturkontrollerna. Se avsnittet "Använda kontrollerna".
5. Rengör kylskåpet, torka av det och låt det torka ordentligt.
6. Tejpa gummi- eller träblock ovanpå båda dörrarna för att hålla dem öppna så att luft kan komma in. Detta förhindrar bildning av odörer och mögel.

Flyttning

När du flyttar kylskåpet till en ny bostad, följ dessa steg för att förbereda kylskåpet för flytten.

1. Om kylskåpet har en automatisk ismaskin:
 - Stäng av vattenförsörjningen till ismaskinen minst 1 dag i förväg.
 - Koppla loss vattenledningen från kylskåpets baksida.
 - När den sista satsen av is faller, ställ strömbrytaren i läge Av (O), antingen på ismaskinen eller kontrollen, beroende på din modell.
2. Ta ur all mat från kylskåpet och packa all fryst mat i torris.
3. Töm isbehållaren.
4. Koppla loss kylskåpet från elnätet.
5. Rengör kylskåpet, torka av det och låt det torka ordentligt.
6. Ta ut alla löstagbara delar, slå in dem väl och tejpa dem tillsammans så att de inte förskjuts och skramlar under flytten.
7. Beroende på modell, höj kylskåpets front så att det rullar lättare eller höj avvägningsskruvarna så att de inte skrapar mot golvet. Se avsnittet "Justera dörrarna" eller "Avvägning av kylskåp och dörrstängning".
8. Tejpa fast dörrarna i stängt läge och tejpa fast nätkabeln på baksidan av kylskåpet.

När du kommer till den nya bostaden, lägg tillbaka allting i kylskåpet och se avsnittet "Installationsanvisningar" för förberedande instruktioner. Om kylskåpet har en automatisk ismaskin, tänk dessutom på att återansluta vattenförsörjningen till kylskåpet.

FELSÖKNING

Prova först de lösningar som föreslås här för att kanske undvika ett servicesamtal.

⚠ VARNING



Risk för elektriska stötar

Anslut till ett jordat eluttag.

Avlägsna inte jordstiftet.

Använd inte en adapter.

Använd ingen förlängningskabel.

Underlåtenhet att följa dessa anvisningar kan leda till dödsfall, eldsvåda eller elektrisk stöt.

Om detta inträffar	Möjliga orsaker	Lösning
Drift av kylskåpet		
Kylskåpet fungerar inte.	Kontrollera strömförsörjningen.	Anslut nätkabeln till ett jordat eluttag.
		Använd inte förlängningskabel.
		Kontrollera att eluttaget har ström. Anslut en lampa för att se om eluttaget fungerar.
		Återställ en utlöst krets brytare. Byt ut eventuellt brända säkringar. ANMÄRKNING: Om problem kvarstår, kontakta en elektriker.
	Kontrollera kontroller.	Se till att kontrollerna är påslagna. Se avsnittet "Använda kontrollerna".
Ny installation.	Vänta 24 timmar efter installationen för att låta kylskåpet kallna helt. ANMÄRKNING: Att justera temperaturkontrollerna till den kallaste inställningen kylv inte avdelningarna snabbare.	
Kylskåpskontroll är i Demo Mode (på vissa modeller).	Om kylskåpet är i Demo Mode stängs kylning av och "Demo" tänds på kontrollpanelen. Se avsnittet "Använda kontrollerna" för mer information.	
Motorn verkar arbeta för mycket	Högeffektiv kompressor och fläktar.	Större, mer effektiva kylskåp arbetar längre vid lägre, mer energieffektiva hastigheter.
	Rums- eller utomhustemperaturen är hög.	Det är normalt för kylskåpet att arbeta längre under dessa förhållanden. För optimala prestanda, placera kylskåpet i en miljö inomhus som är temperaturkontrollerad. Se avsnittet "Placeringskrav".
	En stor mängd varm mat har nyligen lagts in.	Varm mat får kylskåpet att arbeta längre tills luften kallnar till den önskade temperaturen.
	Dörren eller dörrarna öppnas för ofta eller för länge.	Varm luft som kommer in i kylskåpet får det att arbeta mer. Öppna inte dörren så ofta.
	Kylskåpsdörren eller fryslådan är öppen.	Se till att kylskåpet står i våg. Se avsnittet "Avvägning av kylskåp och dörrstängning". Se till att mat och behållare inte blockerar dörren.
	Kylskåpskontrollen är inställd på en för låg nivå.	Justera kylskåpskontrollen till en varmare inställning tills kylskåpstemperaturen är som du önskar.
	Dörr- eller lådtätningen är smutsig, slitna eller sprucken.	Rengör eller byt ut tätningen. Läckor i dörrtätningen får kylskåpet att arbeta längre för att upprätthålla önskade temperaturer.

FELSÖKNING

Prova först de lösningar som föreslås här för att kanske undvika ett servicesamtal.

Om detta inträffar	Möjliga orsaker	Lösning
Belysningen fungerar inte.	Ditt kylskåp är utrustat med LED-belysning som inte behöver bytas ut.	Om kylskåpet får ström och lamporna inte tänds när en dörr eller låda öppnas, kontakta service eller assistans.
	Dörrar har varit öppna mer än 10 minuter.	Stäng dörrarna och lådan för att återställa och öppna igen för att fortsätta med belysning.
	Dörrens brytare känner inte av dörröppningen.	Se till att det inte finns några magneter eller elektroniska enheter inom 7,62 cm (3") från gångjärnskåpan.
Temperaturkontrollens UI aktiveras inte.	Temperaturkontrollens UI gick in i viloläge.	Tryck på någon UI-knapp för att "väcka" temperaturkontrollens UI.
	Knapparna på temperaturkontrollens UI fungerar inte riktigt som de ska.	Prova med att stänga av och sätta på kylskåpet för att återställa knapparna. Om problem kvarstår, kontakta service eller kundtjänst.
	Temperaturkontrollens UI får ingen ström.	Kontrollera kablaget vid dörrgångjärnet.
Kan inte justera inställningen på temperaturkontrollens UI.	Larm om öppen dörr eller dörr på glänt är aktiverat.	Stäng dörren.
Ovanliga ljud		
För att lyssna efter normala kylskåpsljud, gå till sektionen Produkthjälp/Frågor & Svar på varumärkets webbplats och söker efter "Normala ljud". Nedan listas några normala ljud med förklaringar.		
Kylskåpet verkar bullrigt	Kompressorn i ditt nya kylskåp reglerar temperaturen mer effektivt, samtidigt som mindre energi förbrukas och driften går tystare.	På grund av denna reduktion i driftsljud kan du notera obekanta ljud som är normala.
Ljud från kompressorn som arbetar längre än väntat	Högeffektiv kompressor och fläktar	Större, mer effektiva kylskåp arbetar längre vid lägre, mer energieffektiva hastigheter.
Pulserande / surrande	Fläktar/kompressor justerar för att optimera prestanda under normal kompressordrift.	Detta är normalt.
Poppande	Sammandragning/expansion av inre väggar, särskilt under initial nedkyllning.	Detta är normalt.
Brusande / droppande	Flöde av köldmedel eller olja i kompressorn.	Detta är normalt.
Vibrationer	Kylskåpet kanske inte står stadigt.	Justera avvägningsskruvarna och sänk avvägningfoten ordentligt mot golvet. Se avsnittet "Avvägning av kylskåp och dörrstängning".
Fräsande	Vatten droppar på värmaren under avfrostningscykel.	Detta är normalt.
Vatten rinner / porlar	Kan höras när is smälter under avfrostningscykeln och vatten rinner ned i tömningspannan.	Detta är normalt.

FELSÖKNING

Prova först de lösningar som föreslås här för att kanske undvika ett servicesamtal.

Om detta inträffar	Möjliga orsaker	Lösning
Temperatur och fukt		
Temperaturen är för hög.	Kylskåpet har precis installerats.	Vänta 24 timmar efter installationen för att låta kylskåpet kallna helt.
	Kontrollerna är inte korrekt inställda för de omgivande förhållandena.	Justera kontrollerna till en kallare inställning. Kontrollera temperaturen efter 24 timmar. Se avsnittet "Använda kontrollerna".
	Dörren eller dörrarna öppnas för ofta eller stängs inte ordentligt. Låter varm luft komma in i kylskåpet.	Minimera antalet dörröppningar och håll dörrarna helt stängda.
	En stor mängd mat har nyligen lagts in.	Vänta flera timmar så att kylskåpet kan återgå till normal temperatur.
	Demo Mode är aktiverat.	Stäng av Demo Mode. Se avsnittet "Använda kontrollerna".
	Holiday Mode är aktiverat.	Stäng av Holiday Mode. Se avsnittet "Använda kontrollerna".
Temperaturen är för kall i kylskåpet/crispern.	Kylskåpets luftventilation är blockerad.	Om luftventilationen som sitter i mitten på kylavdelningens baksida är blockerad av föremål placerade direkt framför blir kylskåpet för kallt. Flytta undan föremålen från ventilationen.
	Kontrollerna är inte korrekt inställda för de omgivande förhållandena.	Justera kontrollerna till en varmare inställning. Kontrollera temperaturen efter 24 timmar. Se avsnittet "Använda kontrollerna".
Temperaturen är för kall i den temperaturkontrollerade lådan.	Kontrollen är inte korrekt inställd för varorna som förvaras i lådan.	Justera temperaturinställningen. Se "Använda kontrollerna" i avsnittet "Användning av kylskåp".
En invändning bildning av fukt föreligger. ANMÄRKNING: En viss bildning av fukt är normal.	Rummet är fuktigt.	En fuktig miljö bidrar till fuktbildning.
	Dörren eller dörrarna öppnas för ofta eller stängs inte ordentligt. Låter fuktig luft komma in i kylskåpet.	Minimera antalet dörröppningar och stäng dörrarna ordentligt.
	Dörren eller dörrarna är blockerade i öppet läge.	Flytta matpaket bort från dörren.
	En ficka eller hylla är i vägen.	Tryck tillbaka fickan eller hyllan i korrekt position.
	Förvaring av vätska i öppna behållare.	Detta tillför fukt invändigt i kylskåpet. Håll alla behållare ordentligt förslutna.
Det är frost/isbildning i frysavdelningen.	Dörren öppnas ofta eller lämnas öppen.	Minimera antalet dörröppningar och stäng lådan ordentligt efter användning.
	Dörren har en dålig dörrtätning.	Se till att dörrtätningarna har full kontakt med kylens skåp för att erhålla en adekvat tätning.
	Temperaturkontrollerna är inte korrekt inställda.	Se avsnittet "Använda kontrollerna" för rekommenderade temperaturinställningar.

FELSÖKNING

Prova först de lösningar som föreslås här för att kanske undvika ett servicesamtal.

! VARNING

Explosionsrisk Använd ett icke brandfarligt rengöringsmedel. Underlåtenhet att göra detta kan resultera i dödsfall, explosion eller brand.

För att visa en animering om hur du justerar och inriktar dörrar, se sektionen Produkthjälp/Frågor & Svar på varumärkets webbplats och sök "Stängning och inriktning av dörrar".

Om detta inträffar	Möjliga orsaker	Lösning
Dörrar		
Dörrarna stänger inte helt.	Dörren är blockerad i öppet läge.	Flytta matpaket bort från dörren.
	En ficka eller hylla är i vägen.	Tryck tillbaka fickan eller hyllan i korrekt position.
	Nyligen installerade.	Avlägsna allt förpackningsmaterial.
Dörrarna är svåra att öppna.	Dörrtätningarna är smutsiga eller klibbiga.	Rengör tätningar och kontaktytor med mild tvål och varmt vatten. Skölj och torka med en mjuk duk.
Dörrarna verkar vara ojämnta.	Dörrarna behöver inriktas eller kylskåpet behöver avvägas.	Om du behöver inrikta en dörr, kontakta service.
Kylskåpet är ostadigt eller rullar framåt när dörrar öppnas och stängs.	Kylskåpets bromsfötter ligger inte an mot golvet.	Vrid båda bromsfötterna (en på varje sida) lika mycket moturs tills de ligger an mot golvet. Se avsnittet "Avvägning av kylskåp och dörrstängning".

Indholdsfortegnelse

SIKKER BRUG AF KØLE-/FRYSESKABET	225
Korrekt bortskaffelse af det gamle køle-/fryseskab	228
OVERSIGT	229
OPSTILLINGSVEJLEDNING	230
Kom godt i gang	230
Pak køle-/fryseskabet ud	230
Krav til placeringsstedet	231
Krav til strømforsyningen	231
Fjern køleafdelingens døre og monter dem igen.....	233
Fjern og genmonter døren til fryseafdelingen/Flexi Freeze.....	235
Nivellering af køle-/fryseskabet	236
Brug af betjeningsknapperne	237
Belysning i køleafdelingen	238
BRUG AF KØLE-/FRYSESKABET.....	239
Åbning og lukning af døre.....	239
Opbevaring af madvarer	239
HYLDER, DØRHYLDER OG SKUFFER.....	240
Fryseafdelingens opbevaringsrum	241
Lydreference	241
Tilbehør	241
Assistance eller Service	241
VEDLIGEHOLDELSE AF KØLE-/FRYSESKABET	242
Rengøring.....	242
Lamper	243
Ferie og flytning	243
FEJLFINDING	244

SIKKER BRUG AF KØLE-/FRYSESKABET

Din og andres sikkerhed er meget vigtig.

Denne betjeningsvejledning og selve apparatet er forsynet med vigtige oplysninger om sikkerhed. Sikkerhedsoplysningerne skal altid læses og overholdes.



Dette er symbolet for fare.

Symbolet advarer om mulige risici, der kan føre til personskade eller død for dig og andre.

Dette symbol står foran alle sikkerhedsoplysninger sammen med ordet "FARE" eller "ADVARSEL".

Disse ord betyder:

 **FARE**

En farlig situation, der kan føre til alvorlig skade eller død, hvis anvisningerne ikke straks følges.

 **ADVARSEL**

En farlig situation, der kan føre til død eller alvorlig skade, hvis anvisningerne ikke følges.

Alle sikkerhedsoplysninger vil specificere den mulige fare og angive, hvordan risikoen for skader kan mindskes, samt hvad der kan ske ved manglende overholdelse af angivelserne.

Læs disse sikkerhedsregler, inden apparatet tages i brug. Gem vejledningen til eventuel senere brug. Denne vejledning og selve apparatet er forsynet med vigtige oplysninger om sikkerhed, der altid skal overholdes. Producenten fralægger sig ethvert ansvar for manglende overholdelse af disse sikkerhedsregler, for ukorrekt brug af apparatet eller forkert indstilling af betjeningsknapperne.

△ Små børn (0-3 år) skal holdes væk fra apparatet. Mindre børn (3-8 år) skal holdes væk fra apparatet, medmindre de er under konstant opsyn. Børn på 8 år og derover samt personer, der er fysisk, sensorisk og mentalt funktionshæmmede eller uden forudgående erfaring og viden, må udelukkende betjene apparatet, hvis de er under opsyn eller har fået den nødvendige oplæring i sikker brug af apparatet samt forstår farerne ved forkert brug. Børn må ikke lege med apparatet. Rengøring og vedligeholdelse må ikke foretages af børn, medmindre de er under opsyn.

TILLADT BRUG

△ FORSIGTIG: Apparatet er ikke beregnet til at blive startet ved hjælp af en ekstern tilkobling, som f.eks. en timer, eller en separat fjernbetjening.

△ Dette apparat er beregnet til husholdningsbrug samt: i køkkenet på arbejdspladser, kontorer og forretninger, på landbrugsejendomme samt på hoteller, moteller, bed & breakfast og ferielejligheder til brug for den enkelte gæst.

△ Dette apparat er ikke egnet til professionel brug. Anvend ikke apparatet udendørs.

△ Apparatet er beregnet til drift i omgivelser med rumtemperaturer inden for følgende intervaller, der svarer til den klimakategori, som er angivet på typepladen. Apparatet kan ikke fungere korrekt, hvis det i en længere periode får lov til at stå i en temperatur over eller under det angivne interval. Klimakategori, rumtemp. (°C)

SN: Fra 10 til 32 °C; N: Fra 16 til 32 °C

ST: Fra 16 til 38 °C; T: Fra 16 til 43 °C

△ Dette apparat indeholder ikke CFC. Kølesystemet indeholder R600a (HC). Apparatet indeholder isobutan (R600a): Isobutan er en naturlig gasart, der ikke påvirker miljøet, men den er brændbar. Sørg derfor for, at kølesystemet ikke er defekt, specielt når kølesystemet tømmes.

△ ADVARSEL: Sørg for ikke at beskadige apparatets kølesystem.

△ ADVARSEL: Sørg for, at ventilationsåbningerne i apparatets kabinet eller inde i skabet ikke blokeres eller tildækkes.

△ ADVARSEL: Brug aldrig andre mekaniske, elektriske eller kemiske anordninger til at fremskynde afrimningen end dem, der anbefales af producenten.

△ ADVARSEL: Brug eller anbring aldrig andet elektrisk udstyr i apparatet end det, der er udtrykkeligt autoriseret af producenten.

△ ADVARSEL: Is- og/eller vandmaskiner, der ikke er sluttet direkte til vandforsyningen, må udelukkende fyldes med drikkevand.

△ ADVARSEL: Automatiske ismaskiner og/eller vandautomater skal sluttes til en vandhane, der udelukkende leverer drikkevand (med et tryk på mellem 0,17 og 0,81 Mpa (1,7 og 8,1 bar)).

△ Opbevar aldrig produkter med eksplosive stoffer, som f.eks. aerosolspray med brændbare drivmidler, i dette apparat.

△ Den ugiftige væske i fryseelementerne (findes i visse modeller) må ikke indtages. Isterninger og sodavandsis må ikke indtages umiddelbart efter, at de er taget ud af fryseren, da de kan give frostskafer.

△ Apparatet, der er beregnet til brug med et luftfilter inden i ventilatordækslet, skal altid have filteret monteret korrekt, når køle-/fryseskabet er i drift.

△ Glasflasker med væsker må ikke anbringes i fryseafdelingen, da de kan gå i stykker. Bloker ikke ventilatoren (hvis den findes) med madvarer. Kontroller, at dørene lukker korrekt (specielt fryserdøren), når du har anbragt madvarer i apparatet.

△ Beskadigede kurve skal udskiftes så hurtigt som muligt.

△ Brug kun køleafdelingen til opbevaring af friske madvarer og fryseafdelingen til opbevaring af frostvarer, indfrysning af friske madvarer samt fremstilling af isterninger.

△ Opbevar ikke uindpakkede madvarer i direkte kontakt med køle- eller fryseafdelingens indvendige overflader. Apparatet har muligvis specielle afdelinger (afdeling til friske madvarer, rummet Nul grader osv.). De kan fjernes (medmindre andet er angivet i den specifikke brugervejledning til produktet), uden at apparatets funktion påvirkes.

OPSTILLING

△ Flytning og opstilling af apparatet skal foretages af to eller flere personer - risiko for personskade. Brug beskyttelseshandsker, når emballagen fjernes, og når apparatet opstilles - risiko for snitsår.

△ Opstilling, herunder tilslutning til vandforsyning (hvis relevant) og elektriske tilslutninger og reparationer skal udføres af en autoriseret tekniker. Reparer eller udskift ikke nogen af apparatets dele, medmindre det kræves specifikt i brugervejledningen. Hold børn væk fra installationsstedet.

Kontroller, at apparatet ikke er blevet beskadiget under transporten. I tilfælde af problemer kontaktes forhandleren eller den nærmeste serviceafdeling. Når apparatet er opstillet, skal emballagematerialerne (plast, polystyrenskum osv.) opbevares uden for børns rækkevidde - risiko for kvælning. Tag stikket ud af stikkontakten før enhver form for installation - risiko for elektrisk stød. Under opstillingen skal det kontrolleres, at apparatet ikke beskadiger elkablet - risiko for brand eller elektrisk stød. Apparatet må ikke aktiveres, før opstillingen er helt færdig.

⚠ Vær forsigtig i forbindelse med flytninger, så gulvet ikke bliver beskadiget (f.eks. parketgulv). Opstil apparatet på et gulv, som kan modstå vægten, og på et passende anvendelsessted. Sørg for, at apparatet ikke opstilles i nærheden af en varmekilde, og at alle fire fødder står godt og sikkert på gulvet. Juster eventuelt fødderne, og kontroller, at apparatet er helt i vater ved hjælp af et vaterpas. Det anbefales at vente mindst to timer efter opstilling med at starte apparatet, således at kølesystemet fungerer perfekt.

⚠ Der skal være fri plads på begge sider og over apparatet for at sikre tilstrækkelig ventilation. Afstanden mellem apparatets bagside og væggen bag apparatet skal være mindst 50 mm for at undgå varme overflader. Hvis denne afstand reduceres, øges produktets energiforbrug.

⚠ ADVARSEL: Apparatet skal opstilles eller fastgøres i overensstemmelse med anvisningerne, så risici forbundet med manglende stabilitet undgås. Apparatet må ikke anbringes, så dets bagvæg (kondensator) er i kontakt med en metalslange på gaskomfur, metal gas- eller vandrør eller elektriske ledninger.

⚠ Kontakt det tekniske servicecenter, hvis dørene skal vendes.

ADVARSLER VEDRØRENDE ELEKTRICITET

⚠ Strømforsyningen skal kunne afbrydes enten ved at tage stikket ud, hvis dette er muligt, eller ved hjælp af en flerpolet afbryder, der er anbragt før stikkontakten, i overensstemmelse med gældende lokale standarder for elektrisk sikkerhed.

⚠ Brug ikke forlængerledninger, multistikdåser eller adaptere. Efter endt installation må der ikke være direkte adgang til de elektriske dele. Rør ikke ved apparatet, når du er våd eller har bare fødder. Anvend ikke dette apparat, hvis netledningen eller stikproppen er beskadiget, hvis det ikke fungerer korrekt, eller hvis det er beskadiget eller har været tabt på gulvet.

⚠ Hvis ledningen er beskadiget, skal den udskiftes med en af samme type af en autoriseret tekniker eller af en tilsvarende kvalificeret person for at undgå personskade - risiko for elektrisk stød.

⚠ ADVARSEL: Sørg for, at netledningen ikke kommer i klemme eller bliver beskadiget, når apparatet opstilles.

⚠ ADVARSEL: Brug ikke multistikdåser på bagsiden af apparatet.

RENGØRING OG VEDLIGEHOLDELSE

⚠ ADVARSEL: Før enhver form for vedligeholdelse eller rengøring skal der slukkes for apparatet, og stikket skal tages ud af stikkontakten. Brug aldrig damprensere - risiko for elektrisk stød.


⚠ Anvend ikke kraftige eller slibende rengøringsmidler, som f.eks. rengøringsmidler til vinduer, skurende rengøringsmidler, brændbare væsker, rengøringsvoks, koncentrerede rengøringsmidler, blegemidler eller rengøringsmidler, der indeholder petroleum, på plastdele, skabets indersider og dørtætninger eller pakninger. Anvend ikke køkkenrulle, skuresvampe eller slibende rengøringsredskaber.

BORTSKAFFELSE AF EMBALLAGEN

Emballagen kan genbruges 100% og er mærket med genbrugssymbolet ♻. Emballagen skal derfor bortskaffes i overensstemmelse med gældende lokale regler for affaldshåndtering.

BORTSKAFFELSE AF HUSHOLDNINGSAPPARATER

Apparatet er fremstillet af materialer, der kan genbruges. Det skal skrottes i henhold til gældende lokale miljøregler for bortskaffelse af affald. For yderligere oplysninger om behandling, genvinding og genbrug af elektriske husholdningsapparater skal du kontakte de lokale myndigheder, renovationsselskabet eller forretningen, hvor apparatet er købt. Dette apparat er i overensstemmelse med EU-direktiv 2012/19/EF, Affald af elektrisk og elektronisk udstyr (WEEE). Ved at sikre, at dette produkt bortskaffes korrekt, hjælper du med til at forhindre negative konsekvenser for miljøet og folkesundheden.

Symbolet  på produktet eller den ledsagende dokumentation angiver, at dette produkt ikke må bortskaffes som husholdningsaffald, men at det skal afleveres på nærmeste opsamlingscenter for genbrug af elektrisk og elektronisk udstyr.

ENERGISPARERÅD

Opstil apparatet et tørt sted med god ventilation og langt væk fra varmekilder (f.eks. radiator, komfur osv.), hvor det ikke udsættes for direkte sollys. Hvis det er nødvendigt, kan du bruge en isoleringsplade. Følg anvisningerne i opstilling for at sikre passende ventilation. Utilstrækkelig ventilation på apparatets bagside fører til øget energiforbrug og forringet afkølingseffektivitet.

Hypig åbning af dørene kan føre til et forøget energiforbrug. Apparatets indvendige temperatur og energiforbruget påvirkes desuden af rumtemperaturen og apparatets placering. Disse faktorer skal tages i betragtning ved indstillingen af temperaturen.

Lad dørene stå åbne så kort tid som muligt.

Optø frosne madvarer i køleafdelingen. De frosne madvarers lave temperatur afkøler madvarerne i køle-/fryseskabet. Lad varme madvarer og drikke køle ned, før de anbringes i apparatet.

Hyldernes placering i køle-/fryseskabet påvirker ikke energiforbruget. Madvarerne skal anbringes på hylderne, så luften kan cirkulere korrekt (madvarerne må ikke berøre hinanden eller bagvæggen).

Fryseafdelingens opbevaringskapacitet kan udvides ved at fjerne kurvene og, hvis den findes, hylden Stop frost.

Vær ikke bekymret over kompressorlyde, der beskrives som normale lyde i den hurtige vejledning til dette produkt.



Korrekt bortskaffelse af det gamle køle-/fryseskab

⚠ ADVARSEL

Risiko for kvælning

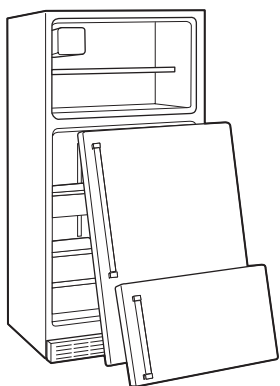
Tag dørene af dit gamle køle-/fryseskab.

I modsat fald udgør apparatet en risiko for død eller hjerneskade.

VIGTIGT: Der vil altid være risiko for, at børn kan blive lukket inde og kvalt i apparatet. Et kasseret eller uovervåget køle-/fryseskab kan være en farlig legeplads også selv om køle-/fryseskabet kun er uovervåget i få dage. Følg nedenstående forholdsregler, når du kasserer dit gamle køle-/fryseskab, så uheld undgås.

Gør følgende, inden et køleskab eller en fryser kasseres:

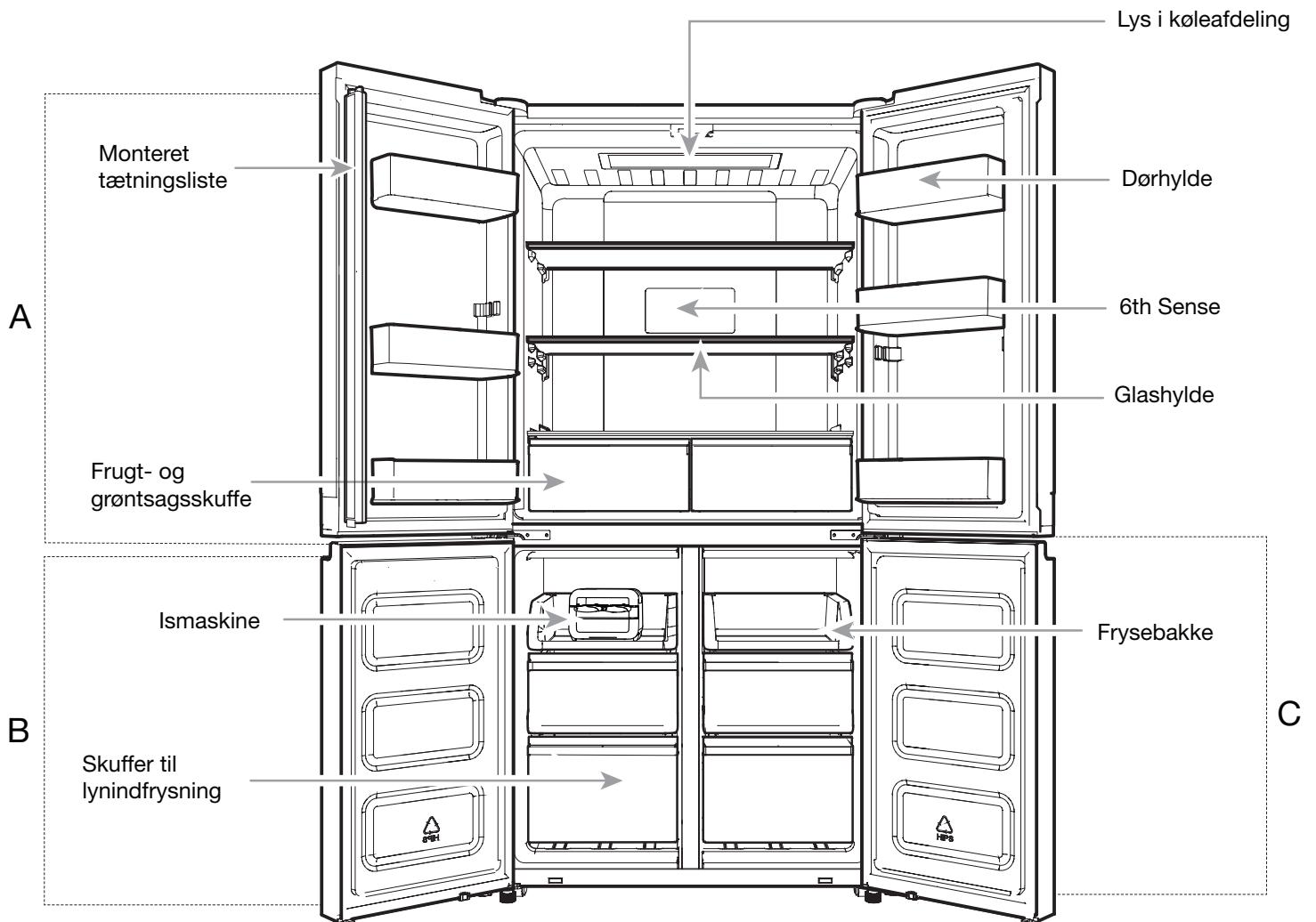
- Tag dørene af.
- Efterlad hylderne på plads, så børn ikke nemt kan kravle ind i apparatet.



Vigtige oplysninger om bortskaffelse af kølemidler:

Bortskaf køle-/fryseskabet i overensstemmelse med gældende nationale og lokale bestemmelser. Kølemidler skal tømmes ud af en autoriseret tekniker i overensstemmelse med fastlagte procedurer.

OVERSIGT



- A . Køleafdeling
- B . Fryseafdeling
- C . Flexi Freeze (kun med WQ9 B1L, 6WM24NIHAS og WQ70900SXX)

OPSTILLINGSVEJLEDNING

Kom godt i gang INSTALLATIONSTJEKLISTE

✓ Elektrisk strøm

⚠ ADVARSEL



Risiko for elektrisk stød

Sæt stikket i en stikkontakt med jordforbindelse.

Fjern ikke jordforbindelsesstikket.

Brug ikke en adapter.

Brug ikke forlængerledninger.

Hvis anvisningerne ikke følges, kan det resultere i død, brand eller elektrisk stød.

- Slut køle-/fryseskabet til en stikkontakt med jordforbindelse.

✓ Døre

- Se afsnittene "Fjern og genmonter køleafdelingens døre" og "Fjern og genmonter fryserdøren", hvis dørene skal fjernes under opstillingen.
- Dørene lukker helt tæt.
- Køle-/fryseskabet er i vater. Juster nivelleringsfødderne, så de hviler på gulvet.
- Dørene sidder lige langs toppen. (Brug om nødvendigt dørjusteringsfunktionen).

✓ Afsluttende kontroller

- Fjern al forsendelsesmateriale.
- Sæt betjeningsknapperne for temperatur på den anbefalede indstilling.
- Gem brugervejledningen og anden dokumentation.
- For at modtage en mere komplet assistance bedes du registrere dit produkt på www.whirlpool.eu/register.

Pak køle-/fryseskabet ud

⚠ ADVARSEL

Meget tung - fare

Lad to eller flere personer løfte køleskabsdøren.

Hvis dette ikke overholdes, kan det resultere i rygskaade eller andre skader.

Efter levering af køle-/fryseskabet

En minimum døråbning på 838 mm er nødvendig. Hvis døråbningen er 914 mm eller mindre, skal døre, skuffe og hængsler fjernes.

Kør køle-/fryseskabet sidelæns ind, uanset døråbningens størrelse.

Flytning/transport af køle-/fryseskabet:

Køle-/fryseskabet er tungt. Dæk gulvet til med pap eller fiberplader, så det ikke bliver beskadiget, når køle-/fryseskabet skal flyttes med henblik på rengøring eller service. Træk altid køle-/fryseskabet lige ud, når det flyttes. Vrik ikke køle-/fryseskabet, når det flyttes, da dette kan beskadige gulvet.

Fjern emballagen

- Fjern tape- og limrester, inden du tænder for apparatet. Fjern klæbemidlet ved at gnide på det med lidt flydende opvaskemiddel. Skyl med varmt vand, og tør efter.
- Brug ikke skarpe redskaber, sprit, brændbare væsker eller slibende rengøringsmidler til at fjerne tape eller lim. Disse produkter kan beskadige køle-/fryseskabets overflade.
- Bortskaf/genbrug al emballage.

Rengør inden ibrugtagning

Når al emballagen er fjernet, skal apparatet rengøres indvendigt, før det tages i brug. Se anvisninger i rengøring i afsnittet "Vedligeholdelse af køle-/fryseskabet".

Vigtig information om glashylder og -låg:

Glashylder og -låg må ikke rengøres med varmt vand, når de er kolde. Pludselige temperaturudsving og stød eller bump kan få dem til at gå i stykker. Hærdet glas splintres i mange små stykker på størelse med små sten. Det er helt normalt. Glashylder og -låg er tunge. Brug begge hænder, når de skal flyttes, så du ikke taber dem.

Krav til placeringsstedet

⚠ ADVARSEL



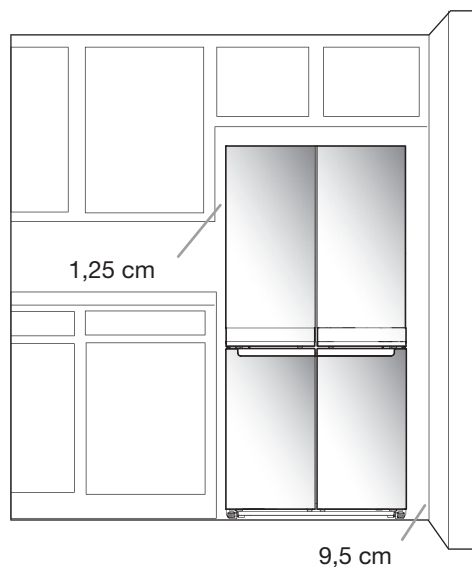
Eksplisionsfare

Hold brændbare materialer og dampe, som f.eks. benzin, væk fra køle-/fryseskabet.

I modsat fald er der risiko for død, eksplosion eller brand.

For at sikre korrekt ventilation skal der være 1,25 cm fri plads ved hver side af og over apparatet. Der skal være 5 cm fri plads bagved apparatet. Hvis dit køle-/fryseskab har en ismaskine, skal der være ekstra plads bagved skabet til vandforsyningsslangens forbindelser. Hvis køle-/fryseskabet opstilles ved siden af en væg, skal der være mindst 9,5 cm fri plads mellem skabet og væggen, så døren kan åbnes.

BEMÆRK: Dette køle-/fryseskab er beregnet til brug et sted med temperaturer på min. 10°C og maks. 43°C. Det foretrukne temperaturområde for optimal drift, som reducerer energiforbruget og giver den bedste køling, er mellem 15°C og 32°C. Det frarådes at opstille køle-/fryseskabet i nærheden af en varmekilde, som f.eks. en ovn eller radiator.



Krav til strømforsyningen

⚠ ADVARSEL



Risiko for elektrisk stød

Sæt stikket i en stikkontakt med jordforbindelse.

Fjern ikke jordforbindelsesstikket.

Brug ikke en adapter.

Brug ikke forlængerledninger.

Hvis anvisningerne ikke følges, kan det resultere i død, brand eller elektrisk stød.

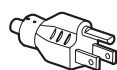
VIGTIGT: Den elektriske installation og tilslutning skal udføres af en autoriseret installatør i overensstemmelse med producentens anvisninger og gældende lovgivning.

- Køle-/fryseskabet er beregnet til drift ved 220-240 volt, 10 A, 50/60 Hz.
- Kontroller, at spændingen på typepladen svarer til spændingen i hjemmet.
- Strømforsyningen skal kunne afbrydes enten ved at tage stikket ud eller ved hjælp af en 2-polet afbryder, der er anbragt før stikkontakten.
- Eventuel udskiftning af ledningen skal foretages af en autoriseret tekniker eller af en tilsvarende kvalificeret person, for at undgå fare for personskade.

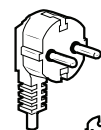
Inden køle-/fryseskabet opstilles på den endelige placering, er det vigtigt at kontrollere, at du har den korrekte elektriske forbindelse:

Anbefalet metode for ekstrabeskyttelse

Der kræves en elforsyning på 10 A med sikring og ekstrabeskyttelse (jordforbindelse), 220-240 volt, 50 Hz, 220 volt, 60 Hz eller 230/240 volt, 50 Hz.



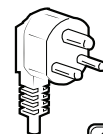
Type B



Type E og F



Type I



Type M



Type G

Kun for Australien og New Zealand:

Dit nye apparat er specifikt fremstillet til at opfylde alle australske standarder og betingelser.

Nogle bemærkninger i installationsanvisningerne refererer muligvis til elektriske krav i andre lande, og det er grunden til, at vi beder dig være specielt opmærksom på disse specifikke oplysninger.

Dit apparat skal sluttes til en udgang med jordforbindelse med 10 A, 230/240 volt, 50 Hz.

Elektriske krav (kun for Storbritannien og Irland)

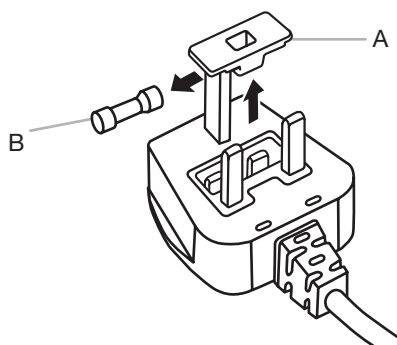
VIGTIGT: Dette apparat skal ekstrabeskyttes!

Udskiftning af sikring

Hvis dette apparats ledning er udstyret med et BS1363A, 13 A beskyttet stik, skal sikringen udskiftes med en A.S.T.A. godkendt type, der er i overensstemmelse med BS 1362. Det gøres på denne måde:

1. Fjern sikringsdækslet (A) og sikringen (B).
2. Sæt den nye 13 A sikring i dækslet.
3. Sæt sikringen og dækslet på plads i stikket.

VIGTIGT: Sikringsdækslet skal sættes på plads igen efter udskiftning af en sikring. Hvis sikringsdækslet beskadiges, må stikket ikke anvendes, før sikringsdækslet er blevet skiftet ud med et nyt af korrekt type. Korrekt udskiftning kan kendes på den farvede indsats eller farven på det ord, der er præget på stikkets bund. Erstatningsdæksler fås i en forretning med elartikler.



A. Sikringsdæksel
B. Sikring

Kun for Irland:

Oplysningerne for Storbritannien vil ofte være gældende, men der anvendes også en tredje type stik og stikkontakt, 2-bens, med jordforbindelse i siden.

Stikkontakt/stik (gælder begge lande):

Kontakt venligst Service for at få yderligere oplysninger, hvis det monterede stik ikke passer til stikkontakten. Prøv ikke på selv at skifte stikket. Dette indgreb skal udføres af en autoriseret tekniker i henhold til producentens anvisninger og gældende lovgivning.

Temperatur

Apparatet er beregnet til drift i omgivelser med rumtemperaturer inden for følgende intervaller, der svarer til den klimakategori, som er angivet på typepladen. Køle-/fryseskabet kan ikke fungere korrekt, hvis det i en længere periode får lov til at stå i en temperatur over eller under det angivne interval.

BEMÆRK: Det frarådes at opstille køle-/fryseskabet i nærheden af en varmekilde, som f.eks. en ovn eller radiator.

Klimakategori	Rumtemp. (°C)	Rumtemp. (°F)
SN	Fra 10 til 32	Fra 50 til 90
N	Fra 16 til 32	Fra 61 til 90
ST	Fra 16 til 38	Fra 61 til 100
T	Fra 16 til 43	Fra 61 til 110

Fjern køleafdelingens døre og monter dem igen

BEMÆRK: Mål døråbningens bredde for at se, om det er nødvendigt at afmontere dem for at flytte apparatet ind i dit hjem. Se følgende anvisninger, hvis det er nødvendigt at fjerne dørene.

VIGTIGT: Hvis apparatet blev opstillet tidligere, og du skal flytte det ud af dit hjem, skal du slukke for apparatet, inden du begynder at fjerne dørene. Tag stikket ud af stikkontakten, eller afbryd strømforsyningen. Fjern madvarer og justerbare dørlåger eller -hylder.

Find det nødvendige værktøj frem, og læs anvisningerne, inden du fjerner dørene.

NØDVENDIGT VÆRKTØJ: 6 mm skruenøgle, 5 mm skruenøgle og nr. 2 Phillips-skruetrækker.



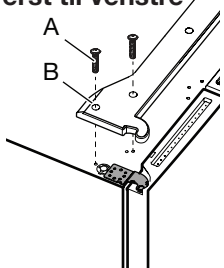
ADVARSEL

Risiko for elektrisk stød

Tag stikket ud af stikkontakten, inden dørene fjernes.

I modsat fald er der risiko for død eller elektrisk stød.

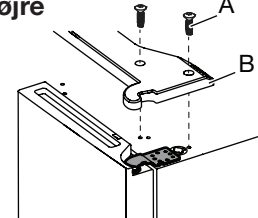
Hængselsdæksel øverst til venstre



A. Øverste hængselsdækselskruer

B. Øverste hængselsdæksel

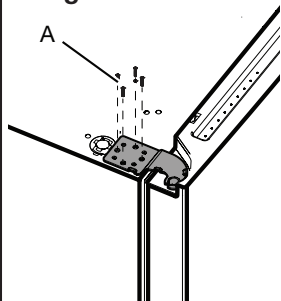
Hængselsdæksel øverst til højre



A. Øverste hængselsdækselskruer

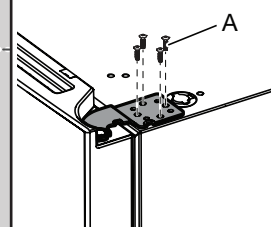
B. Øverste hængselsdæksel

Hængsel øverst til venstre



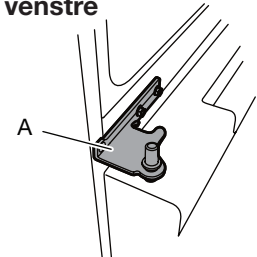
A. 5 mm unbrakoskruer

Hængsel øverst til højre



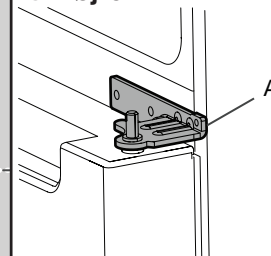
A. 5 mm unbrakoskruer

Midterste hængsel til venstre



A. Hængsel

Midterste Hængsel til højre



A. Hængsel

⚠ ADVARSEL

Meget tung - fare

Lad to eller flere personer løfte køleskabsdøren.

Hvis dette ikke overholdes, kan det resultere i rygskade eller andre skader.

Fjern køleafdelingens døre

⚠ ADVARSEL



Risiko for elektrisk stød

Tag stikket ud af stikkontakten, inden dørene fjernes.

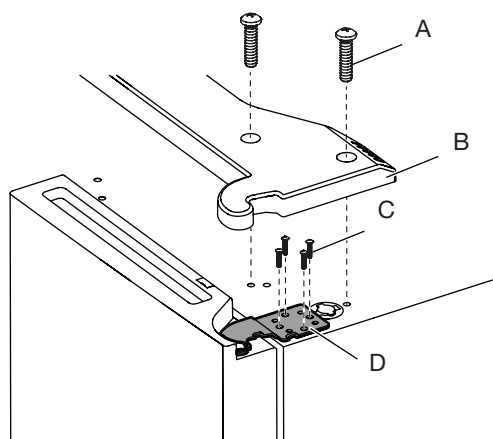
I modsat fald er der risiko for død eller elektrisk stød.

Fjern døren i højre side

1. Tag stikket ud af stikkontakten, eller afbryd strømforsyningen.
2. Hold køleafdelingens døre lukkede, indtil du er klar til at løfte dem af kabinettet.

BEMÆRK: Sørg for at støtte døren yderligere, mens hængslerne fjernes. Stol ikke udelukkende på, at dørmagneterne kan holde døren på plads, mens du arbejder.

3. Fjern dækslet fra det øverste hængsel ved hjælp af en Phillips-skruetrækker.
4. Brug en 5 mm skruenøgle til at fjerne de fire skruer fra det øverste hængsel, og læg dem til side.



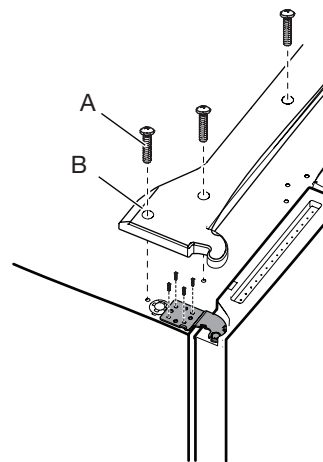
- A. Øverste hængseldækselskrue C. 5 mm unbrakoskruer
B. Øverste hængseldæksel D. Øverste hængsel

5. Løft køleafdelingens dør af den midterste hængselstap. Det øverste hængsel kommer af sammen med døren.

Fjern døren i venstre side

VIGTIGT: Temperaturkontrolpanelets ledninger føres gennem dørhængslet til venstre, så de skal frakobles, inden døren fjernes.

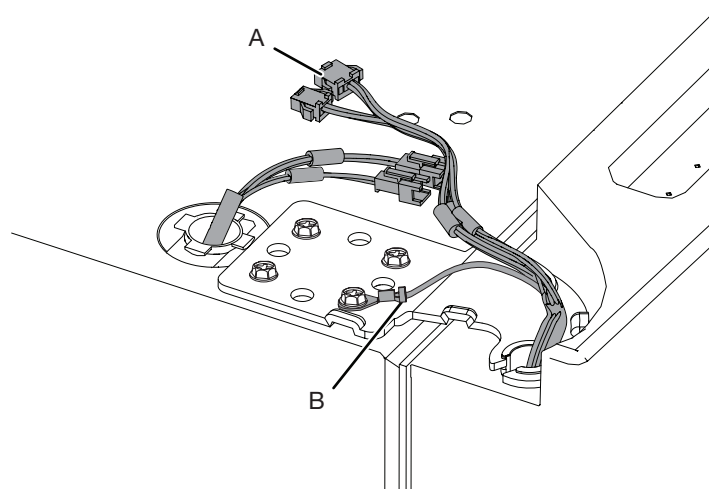
1. Fjern dækslet fra det øverste hængsel ved hjælp af en Phillips-skruetrækker.



- A. Øverste hængseldækselskrue
B. Øverste hængseldæksel

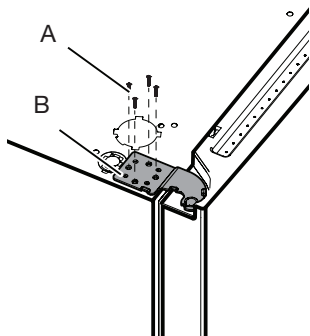
2. Frakobl de to ledningsstik placeret øverst på dørhængslet.

- Grib fat i hver side af ledningsstikkene. Tryk ned med venstre tommelfinger for at frigøre låsemekanismen og trække stikkene fra hinanden.



- A. Ledningsstik
B. Jordforbindelsesledning

3. Brug en 5 mm skruenøgle til at fjerne de fire indvendige skruer fra det øverste hængsel, og læg dem til side.



A. 5 mm unbrakoskruer
B. Øverste hængsel

BEMÆRK: Sørg for at støtte køleafdelingens dør yderligere, mens hængslerne fjernes. Stol ikke udelukkende på, at dørmagneterne kan holde døren på plads, mens du arbejder.

4. Løft køleafdelingens dør af den nederste hængselstap. Det øverste hængsel kommer af sammen med døren.

BEMÆRK: Det er muligvis ikke nødvendigt at fjerne de nederste hængsler og bremsefødder for at flytte køle-/fryseskabet gennem en døråbning.

- Hvis det er nødvendigt, kan det midterste hængsel fjernes ved hjælp af en 6 mm skruenøgle og en nr. 2 Phillips-skruestrækker.

Genmonter køleafdelingens dør i højre side

1. Sæt døren i højre side på den midterste hængselstap.
2. Sæt den øverste hængselstap ind i det åbne hul i toppen af køleafdelingens dør.
3. Fastgør hængslet til kabinettet med brug af fire 5 mm unbrakoskruer. Spænd ikke skruerne helt.

Genmonter køleafdelingens dør i venstre side

1. Sæt døren i venstre side på den midterste hængselstap.
2. Fastgør hængslet til kabinettet med brug af fire 5 mm unbrakoskruer. Spænd ikke skruerne helt.
3. Tilslut de elektriske forbindelser igen.
 - Skub ledningsstikkets to dele sammen.
 - Slut jordledningen til hængselsskruen.

Afsluttende trin

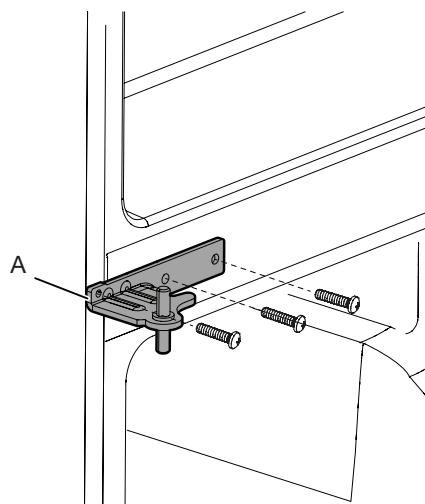
1. Fastspænd de otte 5 mm unbrakoskruer helt.
2. Monter de øverste hængseldæksler igen.

Fjern og genmonter døren til fryseafdelingen/Flexi Freeze

1. Hold fryseafdelingens døre lukkede, indtil du er klar til at løfte dem af kabinettet.

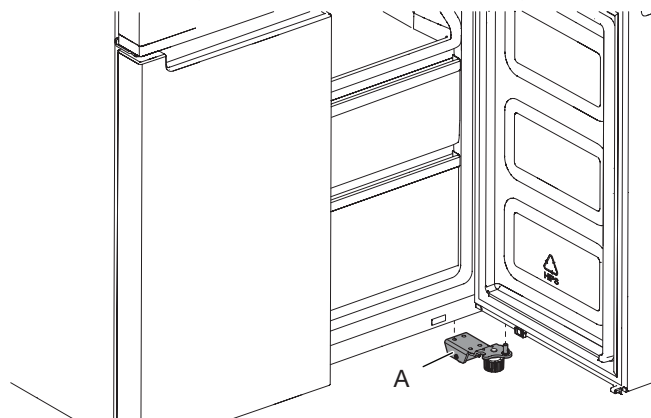
BEMÆRK: Sørg for at støtte fryserdøren yderligere, mens hængslerne fjernes. Stol ikke udelukkende på, at dørmagneterne kan holde døren på plads, mens du arbejder.

- Brug en nr. 2 Phillips-skruestrækker og en 6 mm skruenøgle til at fjerne det midterste hængsel fra kabinettet.



A. Midterste hængsel

- Løft fryseafdelingens dør af den nederste hængselstap.



A. Nederste hængsel

⚠ ADVARSEL



Risiko for elektrisk stød

Sæt stikket i en stikkontakt med jordforbindelse.

Fjern ikke jordforbindelsesstikket.

Brug ikke en adapter.

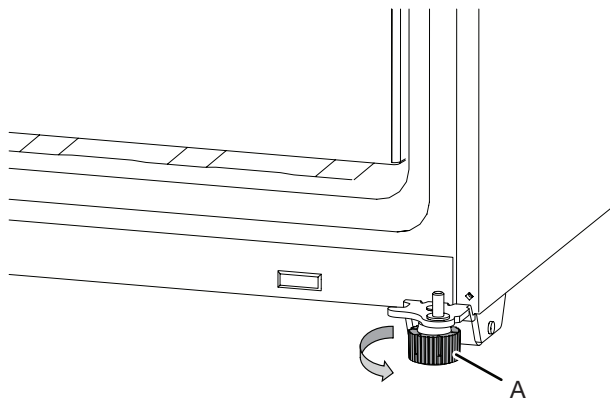
Brug ikke forlængerledninger.

Hvis anvisningerne ikke følges, kan det resultere i død, brand eller elektrisk stød.

1. Sæt stikket i en stikkontakt med jordforbindelse.
2. Sæt alle udtagelige dele og madvarerne på plads i skufferne.

Nivellering af køle-/fryseskabet

1. Flyt apparatet til det sted, hvor det skal stå.
2. Drej bremsefoden med hånden. Drej dem mod uret, indtil rullerne ikke er i kontakt med gulvet, og begge bremsefødder hviler på gulvet. På denne måde kan køle-/fryseskabet ikke rulle fremad, når dørene åbnes.



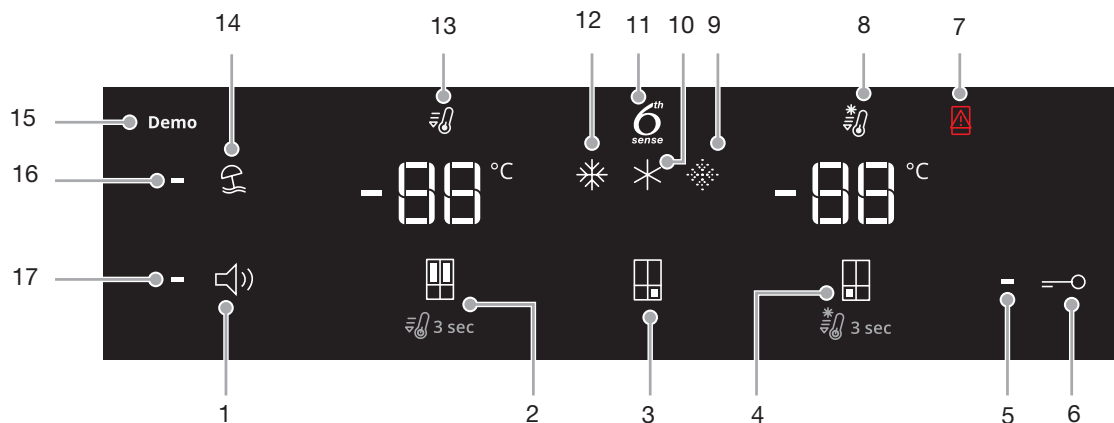
A. Bremsefod

VIGTIGT: Hvis du skal udføre yderligere justeringer, der omfatter bremsefødderne, skal de to bremsefødder drejes lige meget, så apparatet forbliver i vater.

3. Brug et vaterpas til at sikre, at køle-/fryseskabet er plant fra side til side og forside til bagside.

Brug af betjeningsknapperne

Fingertouch-knapperne er anbragt på køleafdelingens venstre dør. Kontrolpanelet omfatter oplysninger om forskellige knapper og indikatorer. Indikatorerne for temperatur i køleafdelingen og fryseafdelingen viser de sidst indstillede temperaturværdier.



1. Til/fra-knap for lyd
2. Knap for temperatur i køleafdelingen (hold inde i 3 sek for Fast Cool)
3. Knap til forudindstillet Flexi Freeze-temperatur (kun med WQ9 B1L, 6WM24NIHAS og WQ70900SXX)
4. Knap for temperatur i fryseafdelingen (hold inde i 3 sek for Fast Freeze)
5. Indikator for Tastelås
6. Knappen Tastelås
7. Indikator for åben dør
8. Indikator for Fast Freeze
9. Indikator for mild frysertemperatur (kun med WQ9 B1L, 6WM24NIHAS og WQ70900SXX)
10. Indikator for middel frysertemperatur (kun med WQ9 B1L, 6WM24NIHAS og WQ70900SXX)
11. Indikator for 6th Sense
12. Indikator for kraftig frysertemperatur (kun med WQ9 B1L, 6WM24NIHAS og WQ70900SXX)
13. Indikator for Fast Cool
14. Knap for Ferie-funktion
15. Indikator for Demo-funktion (kun med WQ9 B1L, 6WM24NIHAS og WQ70900SXX)
16. Indikator for feriefunktion
17. Indikator for lyd

Kontrolpanelet slukker automatisk efter et minuts inaktivitet. Kontrolpanelet tændes ved at trykke på en af tasterne.

- 88 Visning og justering af temperaturindstillinger

Justering af temperaturen i køleafdelingen og i fryseafdelingen:

Køleskabets og fryserens betjeningsknapper er forudindstillet på fabrikken.

Kontroller, at betjeningsknapperne stadig er indstillet til de anbefalede indstillinger, når du opstiller apparatet første gang. Den anbefalede temperaturindstilling er 3°C for køleafdelingen og -18°C for fryseafdelingen.

Når der trykkes på knappen for temperatur i køle- eller fryseafdelingen, skiftes der mellem temperaturindstillingerne i celsius (°C).

VIGTIGT:

- Vent 24 timer, inden der anbringes madvarer i køle-/fryseskabet. Hvis der lægges madvarer i køle-/fryseskabet, inden det er helt koldt, kan madvarerne blive ødelagt.
BEMÆRK: Indstilling til en koldere temperatur end den anbefalede vil ikke give en hurtigere nedkøling.
- Hvis temperaturen er for høj eller for lav i køle- eller fryseafdelingen, skal du kontrollere, om ventilationsåbningerne er blokerede, før du ændrer indstillingerne.
- De anbefalede indstillinger skulle være passende til normal husholdningsbrug. Betjeningsknapperne er indstillet korrekt, når mælk eller juice har den ønskede temperatur, og flødeis er stiv.
BEMÆRK: Områder som for eksempel en garage, kælder eller veranda kan have højere luftfugtighed eller ekstreme temperaturer. Det kan blive nødvendigt at justere temperaturen til en anden end den anbefalede for at tage højde for disse tilstande.
- Vent mindst 24 timer mellem justeringer. Kontroller temperaturerne igen, inden du justerer den igen.

6th Sense Fresh Lock og Freeze


Sensoren 6th SENSE Fresh Lock sørger for præcis og ensartet temperaturstyring, så friske madvarer opbevares i længere tid på den mest naturlige måde. Når en temperaturvariation registreres, aktiverer sensoren en kompressor, der hurtigt genopretter den originale temperatur.

Sensoren 6th SENSE Freeze reducerer temperaturudsving i fryseafdelingen til et minimum takket være et nyskabende temperaturstyringssystem. Frostskafer reduceres, så madvarernes kvalitet og farve bevares.

* * * Flexi Freeze-indstilling (kun med WQ9 B1L, 6WM24NIHAS og WQ70900SXX)

Funktionen Flexi Freeze gør det muligt at skifte mellem forudindstillede temperaturer for Flexi Freeze-afdelingen.

Symbol	Funktion	Temperatur
❄	Traditionel frysertemperatur	-18°C
❄	Middel frysertemperatur	-12°C
❄	Mild frysertemperatur	-7°C

* For at aktivere/deaktivere den koldeste indstilling (-20°C) skal du trykke på knappen for forudindstillet Flexi Freeze-temperatur  i 3 sekunder. Når den koldeste indstilling aktiveres, lyser alle tre ikoner.

Justering af multitemperaturindstilling

- Traditionel frysertemperatur (-18°C): Allerede indfrosne madvarer og friske madvarer (maks. 12 måneder)
- Middel frysertemperatur (-12°C): Allerede indfrosne madvarer (maks. 1 måned)
- Mild frysertemperatur (-7°C): Allerede indfrosne madvarer (maks. 1 uge)



- Når Flexi Freeze er indstillet til -18°C eller -20°C, bliver både temperaturen i Flexi Freeze-afdelingen og i fryseafdelingen afkølet til den koldest indstillede temperatur i en af de to afdelinger.
- Temperaturen i Flexi Freeze-afdelingen kan måske ikke nå temperaturen -7°C, når den omgivende temperatur er omkring 10°C eller koldere.

Brug nedenstående skema som en vejledning, når indstillede temperaturværdier justeres:

TILSTAND	REGULERING AF TEMPERATUREN
Køleafdelingen er for kold	Indstilling for køleafdeling 1° højere
Køleafdelingen er for varm	Indstilling for køleafdeling 1° lavere
Fryseafdelingen er for kold	Indstilling for fryseafdeling 1° højere
Fryseafdelingen er for varm/for lidt is	Indstilling for fryseafdeling 1° lavere



Fast Cool

Funktionen Fast Cool hjælper i perioder med stor brug af køleafdelingen, overfyldning af madvarer eller midlertidige varme rumtemperaturer.

- Funktionen Fast Cool aktiveres ved at trykke på knappen for temperatur i køleafdelingen  i 3 sekunder. Når funktionen aktiveres, lyser ikonet for Fast Cool. Funktionen Fast Cool forbliver aktiv i 2 timer, medmindre den deaktiveres manuelt.
- Funktionen Fast Cool deaktiveres manuelt ved at trykke på knappen for temperatur i køleafdelingen og holde den nede  i 3 sekunder. Ikonet for Fast Cool er slukket, når funktionen ikke er aktiveret.
- Hvis temperaturen i køleafdelingen justeres, deaktiveres funktionen Fast Cool automatisk.

Fast Freeze

Mængden af friske madvarer (i kg), der kan indfrys på 24 timer, er angivet på typepladen.

- Tryk på knappen for temperatur i fryseafdelingen  i 3 sekunder (indtil indikatoren for Fast Freeze tænder) 24 timer før, der anbringes friske madvarer i fryseafdelingen. Når der anbringes friske madvarer i fryseafdelingen, er 24 timer med funktionen Fast Freeze normalt tilstrækkeligt. Funktionen deaktiveres automatisk efter 50 timer.
- Funktionen Fast Freeze deaktiveres manuelt ved at trykke på knappen for temperatur i fryseafdelingen og holde den nede  i 3 sekunder. Ikonet for Fast Freeze slukker.
- Hvis frysertemperaturen justeres, deaktiveres funktionen Fast Freeze automatisk.

Funktionen Ferie

Denne funktion er beregnet til at undgå, at dit apparat bruger unødvendig energi i perioder, hvor det ikke bruges normalt (som for eksempel når du er på ferie).

Når denne funktion vælges, bliver temperaturen i køleafdelingen automatisk sat til 12°C.

- Funktionen Ferie bruges ved at trykke på knappen Ferie, indtil indikatoren for funktionen Ferie lyser på displayet.
- Funktionen Ferie afsluttes ved at trykke på knappen Ferie, indtil der ikke lyser et funktionsikon på displayet.
- Hvis temperaturen i køleafdelingen justeres, deaktiveres funktionen Ferie automatisk.

VIGTIGT: Hvis denne funktion er valgt, skal alle mad- og drikkevarer fjernes fra køleafdelingen.

Lyd TIL/FRA

Tryk på knappen for at aktivere/deaktivere lyd.

Tastelås

- Tryk på og hold knappen Lås nede i 3 sekunder for at aktivere låsefunktionen.
- Låsen deaktiveres ved at trykke på knappen Lås og holde den nede i 3 sekunder.

Låsefunktionen vil ignorere al betjening af kontrolpanelet, indtil brugeren låser kontrolpanelet op. Denne funktion forhindrer utilsigtede ændringer af indstillinger.

Demo-funktion (kun med WQ9 B1L, 6WM24NIHAS og WQ70900SXX)


Denne funktion bruges, når apparatet udstilles hos forhandleren, eller hvis du vil slukke for afkøling og deaktivere alle andre funktioner (undtagen den indvendige belysning).

Demo-funktionen kan bruges, når du skal på ferie i længere tid. Se de korrekte trin for anbringelse af apparatet i denne funktion i længere perioder i afsnittet "Ferie og flytning".

- Hvis du aktiverer Demo-funktionen, lyser ikonet for Demo-funktion på displayet.
- Demo-funktionen aktiveres og deaktiveres ved at trykke samtidigt på knappen Lyd til eller fra og knappen Lås i 3 sekunder.

Andre funktioner

Alarm for åben dør

- Alarmen for åben dør afgiver et lydsignal, og ikonet "Dør åben" blinker , når en af de fire døre har stået åbne i 2 minutter eller mere.
- Lydsignalet gentages hver 5. minut. Deaktiver lydsignalet ved at lukke dørene.

BEMÆRK: Lydsignalet kan desuden deaktiveres, mens dørene er åbne under for eksempel rengøring af apparatet ved at røre ved en knap på kontrolpanelet. Lydsignalet deaktiveres midlertidigt, men ikonet Dør åben bliver fortsat vist på kontrolpanelet.

Belysning i køleafdelingen

Køleafdelingen har en indvendig lampe, der tænder, hver gang døren åbnes.

BEMÆRK: Lampen er et LED-lys, der ikke skal udskiftes. Hvis LED-lampen ikke tænder, når døren åbnes, tilkaldes Service for at få lampen udskiftet.

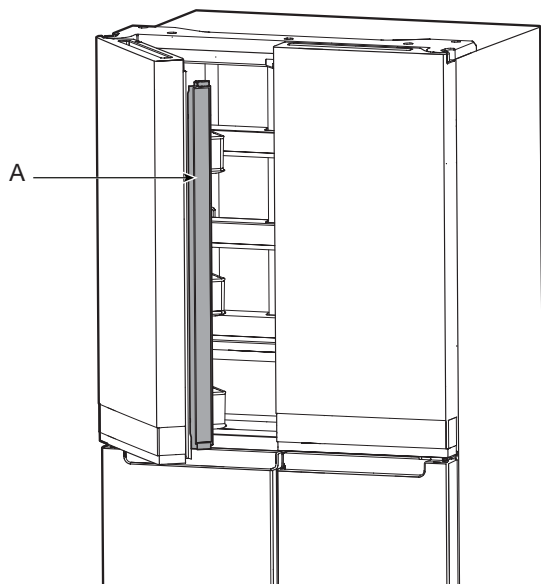
BRUG AF KØLE-/FRYSESKABET

Åbning og lukning af døre

Der er to køleafdelingsdøre. Dørene kan åbnes og lukkes separat eller sammen. Der er en vertikalt monteret tætningsliste på den venstre køleafdelingsdør.

- Når døren i venstre side åbnes, foldes den monterede tætningsliste automatisk indad, så den ikke er i vejen.
- Når begge døre er lukkede, danner den monterede tætningsliste automatisk en forsegling mellem de to døre.

BEMÆRK: Når døren lukkes, skal den monterede tætningsliste være i den korrekte position (bøjet inderside). Ellers rammer den den højre dør eller fikseringsskaftet.

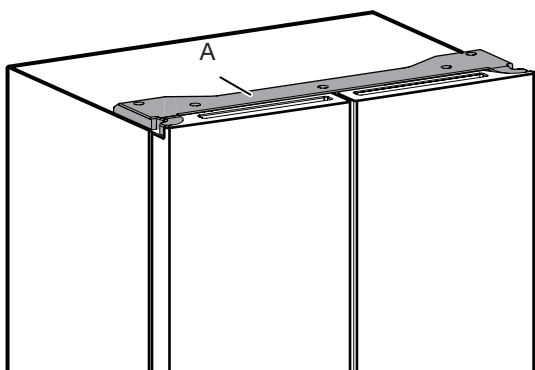


A. Monteret tætningsliste

Køleafdelingens dør har to kontakter, én øverst i venstre side og én øverst i højre side.

- Fryseafdelingens og multitemperaturzonens dørkontakt befinder sig i den nederste vinduessprosse.
- Dørkontakten bruger en magnet til at registrere døråbning/-lukning.
- Sørg for, at der ikke befinder sig magneter eller elektronisk udstyr (højttalere, Coolvox® osv.) mindre end 7,62 cm fra hængseldækslet.

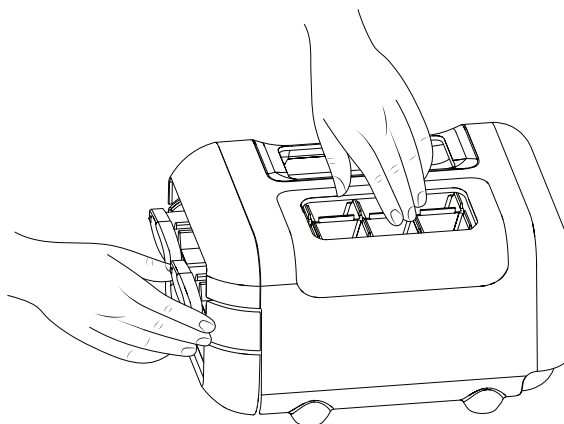
BEMÆRK: Lyset tænder ikke, hvis døråbningen ikke registreres.



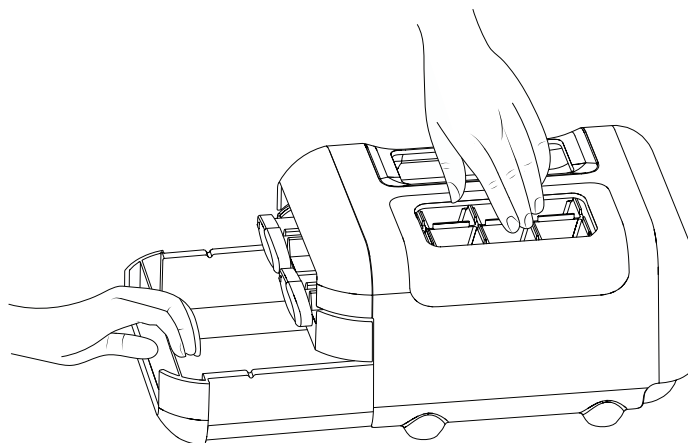
A. Hængseldæksel

Ismaskine

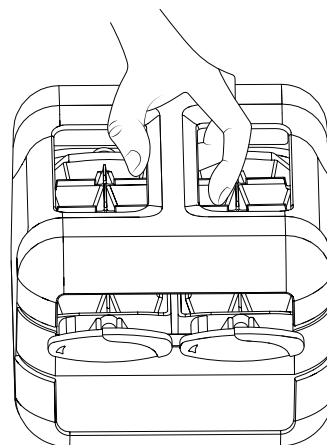
- For at lave is skal isbakken fyldes med rent vand, hvorefter den manuelle ismaskine anbringes på fryseafdelingens øverste hylde. Lad der gå tilstrækkelig tid til, at isen er færdig, og drej derefter håndtagene med uret, så isterningerne kommer ind i isbeholderen.



- Løft isbeholderen lidt, og træk den ud, så der bliver adgang til isterningerne.



Den manuelle ismaskineenhed kan tages ud af fryseafdelingen, når der ikke er brug for is, så der bliver mere plads i fryseafdelingen.



Opbevaring af madvarer

Opbevaring af æg

Det anbefales at opbevare æg ved en konstant temperatur, så de bevarer deres friskhed. De opbevares bedst på den midterste hylde i køleafdelingen.

HYLDER, DØRHYLDER OG SKUFFER

Vigtig information om glashylder og -låg:

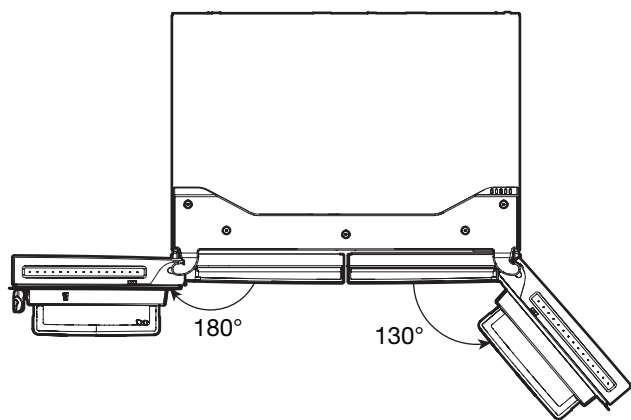
Glashylder og -låg må ikke rengøres med varmt vand, når de er kolde. Pludselige temperaturudsving og stød eller bump kan få dem til at gå i stykker.

Hærdet glas splintres i mange små stykker på størelse med små sten. Det er helt normalt. Glashylder og -låg er tunge. Brug begge hænder, når de skal flyttes, så du ikke taber dem.

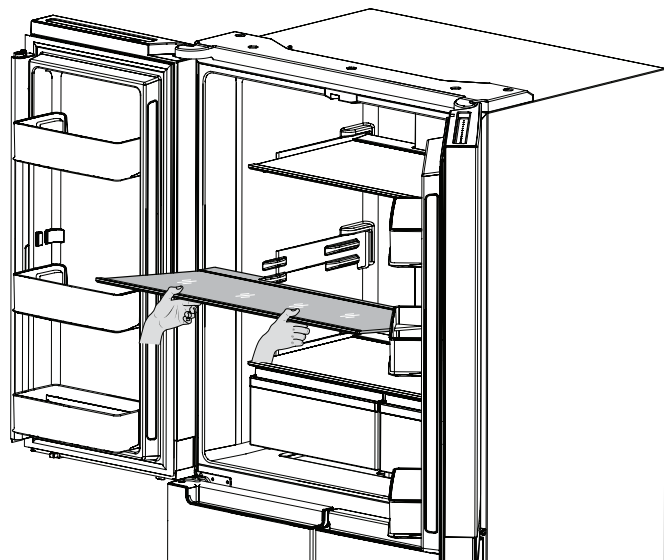
Justering af hyldehøjde

Hyldehøjden kan justeres ved at ændre hyldens placering fra den nederste holder til den øverste holder og omvendt.

- Åbn døren i højre side helt.
- Åbn døren i venstre side helt, og løft derefter døren, så den åbner 180°.



- Tag hylde ud af køleafdelingen, og anbring den i den ønskede monteringsposition.



- Sørg for, at hylde er korrekt placeret på hylde monteringerne.

Hylde og hyldeammer

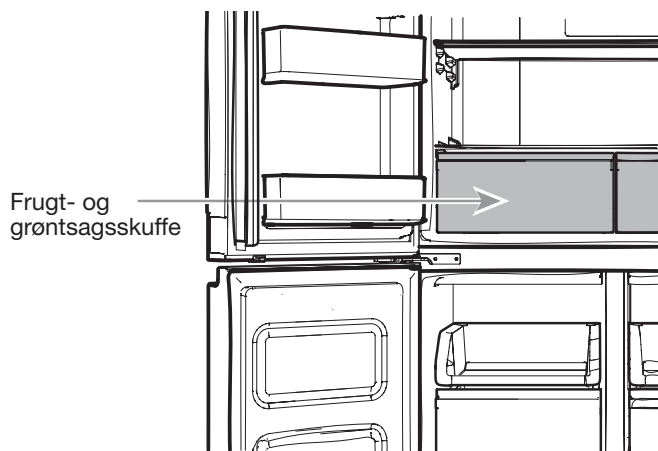
Hyldeerne i køleafdelingen er justerbare, så de kan opfylde dine opbevaringsbehov.

Opbevaring sammen af ens madvarer i køleafdelingen og justering af hyldeerne, så der kan anbringes madvarer med forskellige højder, gør det lettere at finde lige den madvare, du ønsker. Det reducerer også den tid, køleafdelingens dør står åben og sparer energi.

Fjernelse og montering af hylde:

1. Åbn døren i højre side helt, og åbn døren i venstre side helt, og løft den venstre dør, så den åbner 180°.
2. Fjern den midterste hylde eller den øverste hylde ved at løfte den op og ud af hyldeholderne. Træk derefter hylde fremad, og tip den nedad til en lodret position. Drej hylde til en passende vinkel, og træk den ud af køleafdelingen.
3. Fjern den nederste hylde ved at løfte den op og ud af hyldeholderne. Træk derefter hylde fremad, og tip den opad til en lodret position. Drej hylde til en passende vinkel, og træk den ud af køleafdelingen.
4. Sæt den midterste og den øverste hylde på plads igen ved at sætte hylde ind i køleafdelingen i en passende vinkel med hyldens forreste del nedad. Løft hyldens forreste del op, og skyd den ind, indtil hyldens bagside falder ind i hyldeholderne. Sænk hyldens forreste del, og sørg for, at hylde sidder korrekt.
5. Sæt den nederste hylde på plads igen ved at sætte hylde ind i køleafdelingen i en passende vinkel med hyldens forreste del opad. Løft hyldens forreste del, og skyd den ind, indtil hyldens bagside falder ind i hyldeholderne. Sænk hyldens forreste del, og sørg for, at hylde sidder korrekt.

Frugt- og grøntsagsskuffer

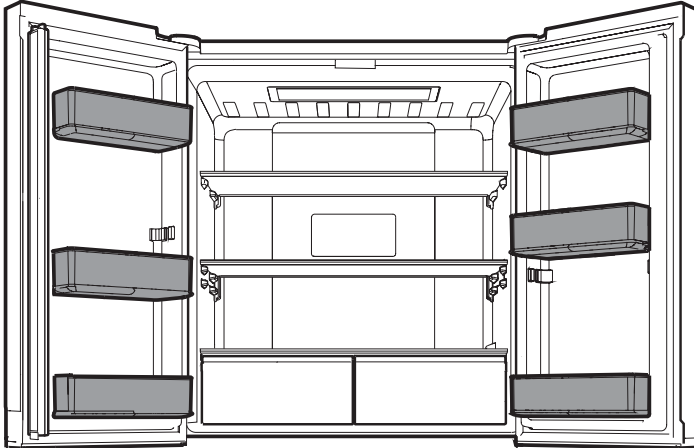


For at fjerne skufferne og sætte dem på plads igen:

1. Grib fat i frugt- og grøntsagsskuffens håndtag, og skyd skuffen lige ud til stoppet. Løft frugt- og grøntsagsskuffen af den nederste skinne.
2. Sæt frugt- og grøntsagsskuffen på plads igen ved at anbringe den på den nederste skuffeskinne og skubbe den på plads forbi skuffestopet.

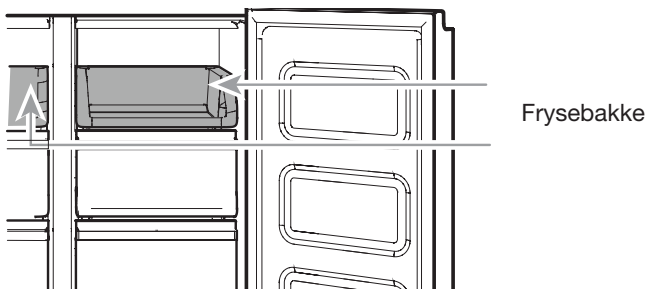
Køleafdelingens dørhylde

Køleafdelingens dørhylde er justerbare, så de kan opfylde dine opbevaringsbehov.



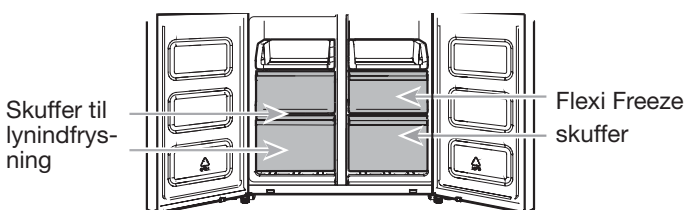
Fryseafdelingens opbevaringsrum

Frysebakke



Frysebakken er velegnet til at få let adgang til produkter, der bruges ofte, til indfrysning og opbevaring af madrester eller små madvarer.

Fryseafdelingens skuffer



Afdeling til lynindfrysning (Fast Freeze)

- I skufferne til lynindfrysning kan du opbevare store stykker madvarer.
- Fast Freeze-funktionen giver dig mulighed for at opbevare alle dine frosne madvarer sikkert og synligt.

BEMÆRK: Temperaturen i fryseafdelingen bliver muligvis nedkølet til den samme temperatur som i Flexi Freeze-afdelingen, når fryseafdelingen er indstillet til en varmere temperatur end Flexi Freeze-afdelingen.

Afdeling til fleksibel indfrysning (Flexi Freeze) (kun med WQ9 B1L, 6WM24NIHAS og WQ70900SXX)

Afdelingen til fleksibel indfrysning giver dig mulighed for at vælge et ud af tre temperaturniveauer: -7°C , -12°C og -18°C for at give de bedste betingelser for opbevaring for forskellige typer af madvarer.

For at få maksimal indfrysningskapacitet kan fryseskuffen fjernes, så hele fryserhylden kan anvendes.

Fjernelse af den øverste skuffe:

1. Grib fat i skuffens håndtag, og skyd skuffen lige ud til stoppet. Løft skuffen af den nederste skinne.
2. Sæt skuffen på plads igen ved at anbringe den på den nederste skuffeskinne og skubbe den på plads forbi skuffestoppet.

Fryserhylde (kun med WQ9 E1L og WQ9 B1L)

For at få maksimal indfrysningskapacitet kan den midterste skuffe fjernes, så hele fryserhylden under den kan anvendes. Du kan opbevare den øverste skuffe, og anbringe madvarer direkte oven på hylden.

Lydreference

Tonetildeling

Tonenavn	Eksempler på brug
Effekt slået til	Kølesystemet tændes, hver gang produktet tændes.
Tastetryk	Brugeren trykker på en gyldig knap.
Ugyldig (fejl)	Brugeren trykker samtidigt på to eller flere gyldige knapper. Nedtælling for knapper, der skal trykkes på og holdes nede, afbrudt.
Aktivering	Bekræftelse af aktivering af en funktion.
Deaktivering	Bekræftelse af deaktivering af en funktion.
Advarsel	Advarsel for åben dør.

Denne tabel er kun beregnet som en oversigt. Se detaljerede oplysninger i de tilsvarende afsnit. I tilfælde af uoverensstemmelse, gælder oplysningerne i de relevante afsnit.

Tilbehør

Kontakt den forhandler, du købte køle-/fryseskabet af, for at bestille tilbehør.

Assistance eller Service

Forsøg selv at rette fejlen ved hjælp af anvisningerne i afsnittet "Fejlfinding", inden du kontakter Service. På denne måde kan du måske spare udgifterne for service. Følg anvisningerne herunder, hvis du stadig har brug for hjælp.

Reserve dele

Kontakt den forhandler, du købte køle-/fryseskabet af, for at få oplyst, hvor du kan købe originale reservedele.

Garanti

Kontakt den forhandler, du købte køle-/fryseskabet af, for at få oplysninger om garantien.

Opbevar denne brugervejledning og kvitteringen sammen til senere brug. Den originale kvittering eller installationsdato er påkrævet i forbindelse med service inden for garantien.

Notér følgende oplysninger om dit apparat, hvis du får brug for Service. Modelnummeret og serienummeret. Disse oplysninger findes på mærkatene på køleafdelingens væg.

Forhandlerens navn _____

Serienummer _____

Adresse _____

Telefonnummer _____

Modelnummer _____

Købsdato _____

VEDLIGEHOJDELSE AF KØLE-/FRYSESKABET

Rengøring

⚠ ADVARSEL



Ekspløsiønsfare

Brug ikke brændbare rengøringsmidler.

I modsat fald er der risiko for død, eksplosion eller brand.

Alle køleafdelingen, fryseafdelingen og den fleksible indfrysningssafdelings sektioner (kun med WQ9 B1L, 6WM24NIHAS og WQ70900SXX) har automatisk afrimning. Alle afdelinger skal dog rengøres en gang om måneden for at undgå ubehagelige lugte. Tør straks spildte madvarer op.

Udvendig rengøring

Se de specifikke oplysninger om udvendig rengøring af din model.

Stil 1 – Glat dør

VIGTIGT: Beskadigelse af glat finish pga. forkert brug af rengøringsprodukter eller brug af ikke-anbefalede rengøringsprodukter dækkes ikke af garantien. Skarpe eller stumpe instrumenter laver mærker i finishen.

BRUG	BRUG IKKE
✓ Blød, ren klud	✗ Slibende klude ✗ Køkkenrulle eller avispapir ✗ Stålundssvampe
✓ Varmt sæbevand med mildt rengøringsmiddel	✗ Skurepulver eller -creme ✗ Rengøringsmidler til vinduer ✗ Ammoniak ✗ Syreholdige eller eddikebaserede rengøringsmidler ✗ Ovnrens ✗ Brændbare væsker

BEMÆRK: Køkkenrulle ridser og kan gøre dørens klare belægning mat. For at undgå risikoen for beskadigelse må der kun bruges bløde, rene klude til at polere og tørre dørene.

Stil 2 – Rustfrit stål

VIGTIGT:

- Brug kun anbefalede rengøringsmidler til rustfrit stål og klude. Beskadigelse af finish af rustfrit stål pga. forkert brug af rengøringsprodukter eller brug af ikke-anbefalede rengøringsprodukter dækkes ikke af garantien.
- Apparater af rustfrit stål må ikke udsættes for kaustiske eller ætsende elementer, som f.eks. miljøer med høj saltholdighed eller høj fugtighed. Beskadigelse forårsaget af disse elementer dækkes ikke af garantien.

BRUG	BRUG IKKE
✓ Blød, ren klud	✗ Slibende klude ✗ Køkkenrulle eller avispapir ✗ Stålundssvampe
✓ Varmt sæbevand med mildt rengøringsmiddel	✗ Skurepulver eller -creme ✗ Ammoniak ✗ Citrusbaserede rengøringsmidler ✗ Syreholdige eller eddikebaserede rengøringsmidler ✗ Ovnrens
✓ Stærk tilsmudsning må kun fjernes ved hjælp af et rengøringsmiddel beregnet til apparater af rustfrit stål. Kontakt den forhandler, du købte køle-/fryseskabet af, for at bestille rengøringsmidlet.	✗ Rengøringsmidler til rustfrit stål må kun bruges på dele af rustfrit stål. Rengøringsmidler til rustfrit stål og pudsemidler må ikke komme i kontakt med dele af plast, som f.eks. pyntepaneldele, automatdæksler eller dørpakninger.

Stil 3 – Rustfrit stål, der er modstandsdygtigt over for fingeraftryk

VIGTIGT:

- Apparater af rustfrit stål må ikke udsættes for kaustiske eller ætsende elementer, som f.eks. miljøer med høj saltholdighed eller høj fugtighed. Beskadigelse forårsaget af disse elementer dækkes ikke af garantien.

BRUG	BRUG IKKE
✓ Blød, ren klud	✗ Slibende klude ✗ Køkkenrulle eller avispapir ✗ Stålundssvampe
✓ Varmt sæbevand med mildt rengøringsmiddel	✗ Skurepulver eller -creme ✗ Rengøringsmidler til vinduer ✗ Ammoniak ✗ Syreholdige eller eddikebaserede rengøringsmidler ✗ Ovnrens ✗ Brændbare væsker

BEMÆRK:

- Hvis midlerne ved et uheld kommer i kontakt med plastdele, skal de rengøres med en svamp og et mildt rengøringsmiddel opløst i varmt vand. Tør omhyggeligt efter med en blød klud.
- Flydende rengøringsmidler kan også være slibende. Mange flydende rengøringsmidler, der er beregnet til at være skånsomme på fliser og glatte overflader, kan alligevel beskadige rustfrit stål.
- Citronsyre misfarver rustfrit stål permanent.
- For at undgå at beskadige finishen på dit apparat af rustfrit stål:

Lad ikke nedenstående blive siddende på finishen:

- ✗ Sennep
- ✗ Citrusbaserede sovs
- ✗ Tomatsaft
- ✗ Citrusbaserede produkter
- ✗ Marinade

Indvendig rengøring

1. Tag stikket ud af stikkontakten, eller afbryd strømforsyningen.
2. Rengør, skyl og tør udtagelige dele og de indvendige overflader omhyggeligt. Brug en ren svamp eller en blød klud fugtet med et mildt rengøringsmiddel opløst i varmt vand.
BEMÆRK: Anvend ikke kraftige eller slibende rengøringsmidler, som f.eks. rengøringsmidler til vinduer, skurende rengøringsmidler, brændbare væsker, rengøringsvoks, koncentrerede rengøringsmidler, blegemidler eller rengøringsmidler, der indeholder petroleum, på plastdele, skabets indersider og dørtætninger eller pakninger.
3. Sæt stikket i stikkontakten igen, eller tænd for strømforsyningen.

Kondensatoren

Dette apparat har en kondensator på begge sider af køle-/fryseskabet. Det er helt normalt, at apparatets sider føles varme.

Lamper

Lamperne i både køle- og fryseafdelingen er LED-lamper, der ikke skal udskiftes. Hvis lamperne ikke lyser, når døren åbnes, skal du kontakte den forhandler, du købte køle-/fryseskabet af.

Ferie og flytning

Ferier

Hvis du vælger at lade køle-/fryseskabet være tændt, mens du er på ferie:

1. Anvend letfordærlige madvarer, og frys andre madvarer.
2. Hvis apparatet har en automatisk ismaskine og er forbundet med vandforsyningen, skal der slukkes for vandforsyningen til apparatet. Der kan forekomme materiel skade, hvis der ikke slukkes for vandforsyningen.
3. Hvis du har en automatisk ismaskine, skal der slukkes for ismaskinen.
 - Tryk kontakten til positionen for Off (O) for ismaskinen i døren.
4. Tøm isbeholderen.

Hvis du vælger at slukke for køle-/fryseapparatet, inden du rejser:

BEMÆRK: Sæt apparatet i Demo-funktion, når du er på ferie. Se afsnittet "Brug af betjeningsknapperne".

1. Tøm apparatet for madvarer.
2. Hvis køle-/fryseskabet har en automatisk ismaskine:
 - Sluk for vandforsyningen til ismaskinen mindst 1 dag før.
 - Når den sidste is falder ud, trykkes kontakten til positionen for Fra (O), så displayet øverst inde i apparatet (afhængigt af model) slukker.
3. Tøm isbeholderen.
4. Sluk betjeningsknapperne for temperatur. Se afsnittet "Brug af betjeningsknapperne".
5. Rengør apparatet, tør efter, og lad det tørre helt.
6. Tape gummi- eller træblokke fast til toppen af begge døre for at holde dem åbne nok til, at der kan komme luft ind. Dette hindrer dannelse af lugt og mug.

Flytning

Når du skal flytte apparatet til et nyt hjem, skal du følge nedenstående trin for at gøre det klart til flytningen.

1. Hvis køle-/fryseskabet har en automatisk ismaskine:
 - Sluk for vandforsyningen til ismaskinen mindst 1 dag før.
 - Tag vandforsyningsslangen på apparatets bagside af.
 - Når den sidste is falder ud, trykkes kontakten til positionen for Fra (O) på enten ismaskinen eller betjeningsknappen, afhængigt af modellen.
2. Tøm apparatet for madvarer, og pak alle frosne madvarer i tøris.
3. Tøm isbeholderen.
4. Tag stikket ud af stikkontakten.
5. Rengør, tør efter, og lad tørre helt.
6. Tag alle udtagelige dele ud, pak dem godt ind, og tape dem sammen, så de ikke falder omkring og larmer under flytningen.
7. Afhængigt af modellen hæves køle-/fryseskabets forside, så det ruller lettere, eller hæv nivelleringskruerne, så de ikke skraber mod gulvet. Se afsnittet "Justering af dørene" eller "Nivellering af køle-/fryseskabet og dørlukning".
8. Luk dørene fast med tape, og tape strømforsyningskablet fast til køle-/fryseskabets bagside.

Når du kommer til dit nye hjem, sætter du alting på plads igen. Se afsnittet "Opstillingsvejledning" angående anvisninger i klargøring. Hvis dit køle-/fryseskab har en automatisk ismaskine, skal du desuden huske at forbinde vandforsyningen til skabet.

FEJLFINDING

Prøv først de løsninger, der foreslås her, måske er det ikke nødvendigt at kontakte Service.

⚠ ADVARSEL



Risiko for elektrisk stød

Sæt stikket i en stikkontakt med jordforbindelse.

Fjern ikke jordforbindelsesstikket.

Brug ikke en adapter.

Brug ikke forlængerledninger.

Hvis anvisningerne ikke følges, kan det resultere i død, brand eller elektrisk stød.

Problem	Mulige årsager	Løsning
Køle-/fryseskabets drift		
Køle-/fryseskabet fungerer ikke.	Kontroller strømforsyningen.	Sæt strømforsyningskablet i en stikkontakt med jordforbindelse.
		Brug ikke forlængerledninger.
		Kontrollér, om der er strømtilførsel til stikkontakten. Forbind en lampe til stikkontakten for at se, om stikkontakten fungerer.
		Nulstil en aktiveret effektafbryder. Udskift eventuelle defekte sikringer. BEMÆRK: Kontakt en elektriker, hvis problemet fortsætter.
	Kontroller betjeningsknapperne.	Sørg for at betjeningsknapperne er tændte. Se afsnittet "Brug af betjeningsknapperne".
	Netop opstillet.	Efter opstillingen tager det 24 timer, inden apparatet er helt koldt. BEMÆRK: Justering af betjeningsknapperne for temperatur til den koldeste indstilling medfører ikke, at afdelingerne bliver hurtigere kolde.
	Køle-/fryseskabet er i Demo-funktion (på visse modeller).	Hvis køle-/fryseskabet er i Demo-funktion, er afkøling deaktiveret, og "Demo" lyser på kontrolpanelet. Se yderligere oplysninger i afsnittet "Brug af betjeningsknapperne".
Motoren synes at køre for meget.	Højeffektiv(e) kompressor og ventilatorer.	Store og mere effektive køle-/fryseskabe kører i længere tid ved lavere og mere strømbesparende hastigheder.
	Rumtemperaturen eller den udendørs temperatur er for varm.	Det er normalt, at køle-/fryseskabet kører i længere tid under disse forhold. For at få en optimal funktion skal køle-/fryseskabet opstilles i et temperaturstyret indemiljø. Se afsnittet "Krav til placeringsstedet".
	En større mængde varme madvarer er lagt i køle-/fryseskabet for kort tid siden.	Varme madvarer får køle-/fryseskabet til at køre i længere tid, indtil luften er afkølet til den ønskede temperatur.
	Døren(e) åbnes ofte eller står åbne i lang tid.	Varm luft, der trænger ind i køle-/fryseskabet, medfører, at det kører mere. Åbn dørene mindre hyppigt.
	Køleafdelingens dør eller fryseraskuffen er åben.	Sørg for, at køle-/fryseskabet er i vater. Se afsnittet "Nivellering af køle-/fryseskabet og dørlukning". Sørg for, at madvarer og beholdere ikke blokerer døren.
	Køleafdelingen er indstillet til en for kold temperatur.	Sæt temperaturen til en mindre kold indstilling, indtil temperaturen er som ønsket.
	Dør- eller skuffepakningen er snavset, slidt eller revnet.	Rengør eller udskift pakningen. Utætheder i dørpakningen medfører, at køle-/fryseskabet kører i længere tid for at opretholde de ønskede temperaturer.

FEJLFINDING

Prøv først de løsninger, der foreslås her, måske er det ikke nødvendigt at kontakte Service.

Problem	Mulige årsager	Løsning
Lyset virker ikke.	Dit køle-/fryseskab har LED-lys, der ikke skal udskiftes.	Hvis der er strøm til køle-/fryseskabet, og lamperne ikke tænder, når døren eller skuffen åbnes, skal du kontakte Service.
	Dørene har været åbne i mere end 10 minutter.	Luk dørene og skuffen for at nulstille, og åbn igen for at aktivere belysning.
	Dørkontakten registrerer ikke døråbningen.	Sørg for, at der ikke befinder sig magneter eller elektronisk udstyr mindre end 7,62 cm fra hængselsdækslet.
Temperaturkontrolpanelet tænder ikke.	Temperaturkontrolpanelet er i standby.	Tryk på en af brugergrænsefladens knapper for at vække temperaturkontrolpanelet.
	Temperaturkontrolpanelets knapper fungerer ikke korrekt.	Prøv at slukke for køle-/fryseskabet og tænde for det igen, så knapperne nulstilles. Hvis problemet vedvarer, tilkaldes service eller assistance.
	Temperaturkontrolpanelet modtager ikke strøm.	Kontroller ledningsbundet ved dørhængslet.
Kan ikke justere indstilling på temperaturkontrolpanelet.	Døren er åben, og alarmeren for åben dør er aktiveret.	Luk døren.
Usædvanlige lyde		
Du kan lytte til køle-/fryseskabets normale lyde ved at gå til Produkt Hjælp /Ofte stillede spørgsmål på varemærkets websted og søge på "normale lyde." Herunder er der anført nogle normale lyde og årsagen til dem.		
Apparatet støjer.	Kompressoren i dit nye køle-/fryseskab regulerer temperaturen mere effektivt, samtidigt med at det bruger mindre energi og støjer mindre.	På grund af denne reduktion i kendt driftsstøj kan du blive opmærksom på andre ukendte lyde, som er helt normale.
Kompressoren lyder længere end forventet.	Højeffektiv(e) kompressor og ventilatorer.	Store og mere effektive køle-/fryseskabe kører i længere tid ved lavere og mere strømbesparende hastigheder.
Vibrerende/snurrende	Ventilatorerne/kompressoren justerer for at optimere funktionen under normal kompressordrift.	Det er helt normalt.
Smældende	Sammentrækning/udvidelse af de indvendige vægge, specielt under den første afkøling.	Det er helt normalt.
Hvislende/dryppende	Flow af kølemiddel eller flow af olie i kompressoren.	Det er helt normalt.
Vibration	Køle-/fryseskabet er muligvis ikke i vater.	Juster nivelleringsskrueene, og sænk nivelleringsfoden, så den hviler på gulvet. Se afsnittet "Nivellering af køle-/fryseskabet og dørlukning".
Hvislende	Vand, der drypper på varmelegemet under afrimning.	Det er helt normalt.
Løbende/gurglende vand	Kan høres, når is smelter under afrimning, og vandet løber ind i beholderen til afrimningsvand.	Det er helt normalt.

FEJLFINDING

Prøv først de løsninger, der foreslås her, måske er det ikke nødvendigt at kontakte Service.

Problem	Mulige årsager	Løsning
Temperatur og fugt		
Temperaturen er for høj.	Køle-/fryseskabet er lige blevet opstillet.	Efter opstillingen tager det 24 timer, inden apparatet er helt koldt.
	Betjeningsknapperne er ikke indstillet korrekt i forhold til de omgivende forhold.	Juster betjeningsknapperne til en koldere indstilling. Kontroller temperaturen om 24 timer. Se afsnittet "Brug af betjeningsknapperne".
	Døren(e) åbnes ofte, eller lukker ikke helt. Varm luft trænger derfor ind i køle-/fryseskabet.	Åbn dørene mindre hyppigt, og hold dørene helt lukket.
	En større mængde madvarer er lagt i køle-/fryseskabet for nylig.	Vent i adskillige timer, til køle-/fryseafdelingen vender tilbage til normal temperatur.
	Demo-funktion er aktiveret.	Deaktiver Demo-funktionen. Se afsnittet "Brug af betjeningsknapperne".
	Funktionen Ferie er aktiveret.	Deaktiver funktionen Ferie. Se afsnittet "Brug af betjeningsknapperne".
Temperaturen er for kold i køleafdelingen/frugt- og grøntsagsskuffen.	Køleafdelingens ventilationsrist(e) er blokeret.	Hvis ventilationsristen midt i køleafdelingens bagvæg blokeres af madvarer, der placeres lige foran den, bliver køleafdelingen for kold. Flyt madvarerne væk fra ventilationsristen.
	Betjeningsknapperne er ikke indstillet korrekt i forhold til de omgivende forhold.	Juster betjeningsknapperne til en varmere indstilling. Kontroller temperaturen om 24 timer. Se afsnittet "Brug af betjeningsknapperne".
Temperaturen er for kold i den temperaturstyrede skuffe.	Betjeningsknappen er ikke indstillet korrekt for de madvarer, der opbevares i skuffen.	Juster temperaturindstillingen. Se "Brug af betjeningsknapperne" i afsnittet "Brug af køleafdelingen".
Der er fugtakkumulering. BEMÆRK: Lidt fugt er helt normalt.	Rummet er fugtigt.	Fugtige omgivelser medvirker til akkumulering af fugt.
	Døren(e) åbnes ofte, eller lukker ikke helt. Fugtig luft trænger derfor ind i køleafdelingen.	Åbn dørene mindre hyppigt, og hold dørene helt lukket.
	Døren(e) er blokeret, så de(n) står åben.	Flyt madvarerne væk fra døren.
	En dørhylde eller hylde sidder i vejen.	Skub dørhylden eller hylde på plads.
	Opbevaring af væsker i åbne beholdere.	Dette øger fugtigheden inde i køleafdelingen. Hold alle beholdere tæt tildækket.
Der er ophobning af frost/is i fryseafdelingen.	Døren åbnes ofte eller er åben i lang tid.	Åbn døren mindre hyppigt, og luk skuffen helt efter brug.
	Døren har en dårlig dørpakning.	Kontroller, at dørpakningen er helt i kontakt med køleafdelingens kabinet, så der er en passende forsegling.
	Betjeningsknapperne for temperatur er ikke indstillet korrekt.	Se de anbefalede temperaturindstillinger i afsnittet "Brug af betjeningsknapperne".

FEJLFINDING

Prøv først de løsninger, der foreslås her, måske er det ikke nødvendigt at kontakte Service.

⚠ ADVARSEL



Eksplodingsfare

Brug ikke brændbare rengøringsmidler.

I modsat fald er der risiko for død, eksplosion eller brand.

Du kan se en animation, der viser, hvordan døre justeres, under Produkthjælp/Ofte stillede spørgsmål på varemærkets websted og søge på "Dørlukning og Justering af døre."

Problem	Mulige årsager	Løsning
Døre		
Dørene lukker ikke helt.	Døren er blokeret, så den står åben.	Flyt madvarerne væk fra døren.
	En dørhylde eller hylde sidder i vejen.	Skub dørhylden eller hylde på plads.
	Monteret for nylig	Fjern alle forsendelsesmaterialer.
Det er vanskeligt at åbne døren.	Dørpakningerne er snavsede og klæber.	Rengør pakninger og kontaktoverflader med varmt, mildt sæbevand. Skyl og tør grundigt med en blød klud.
Dørene ser ikke ud til at være lige.	Dørene skal justeres, eller køle-/fryseskabet skal nivelleres.	Kontakt service, hvis dørene skal justeres.
Køle-/fryseskabet er ustabil, eller det ruller fremad, når dørene åbnes og lukkes.	Køle-/fryseskabets bremsefødder hviler ikke på gulvet.	Drej begge bremsefødder (én i hver side) lige meget mod uret, indtil de hviler på gulvet. Se afsnittet "Nivellering af køle-/fryseskabet og dørlukning".

Innholdsfortegnelse

KJØLESKAPETS SIKKERHET	249
Riktig avfallshåndtering av det gamle kjøleskapet	252
DELER OG FUNKSJONER	253
INSTALLASJONSINSTRUKSJONER	254
Komme i gang	254
Pakke ut kjøleskapet	254
Krav til plassering	255
Strømkrav	255
Fjerne og sette på plass kjøleskapsdørene	257
Fjerne og sette på plass fryserdøren/Flexi Freeze-døren	259
Innjustering av kjøleskapet	260
Bruke kontrollene	261
Belysning på kjøleskapet	262
BRUK AV KJØLESKAPET	263
Åpne og lukke dører	263
Oppbevaring av mat	263
HYLLER, BOKSER OG SKUFFER.....	264
Fryserlagringsrom	265
Lydreferanse	265
Tilbehør	265
Hjelp eller service	265
PLEIE AV KJØLESKAPET.....	266
Rengjøring	266
Lys	267
Pleie ved ferie og flytting.....	267
FEILSØKING.....	268

KJØLESKAPETS SIKKERHET

Din egen og andres sikkerhet er svært viktig.

Vi har gitt mange viktige sikkerhetsadvarsler i denne håndboken og på selve apparatet. Les og overhold alle sikkerhetsmeldinger.



Dette er sikkerhetsvarslingssymbolet.

Dette symbolet varsler deg om potensielle faremomenter som kan drepe eller skade deg eller andre personer.

Alle sikkerhetsmeldinger vil følge sikkerhetsvarslingssymbolet og enten ordet "FARE" eller "ADVARSEL".

Disse ordene betyr:

 **FARE**

Dersom du ikke følger instruksjonene umiddelbart, kan dette føre til dødsfall eller alvorlige skader.

 **ADVARSEL**

Dersom du ikke følger instruksjonene, kan dette føre til dødsfall eller alvorlige skader.

Alle sikkerhetsmeldinger vil fortelle deg hva den potensielle faren er, fortelle deg hvordan du reduserer muligheten for personskade og fortelle deg hva som kan skje hvis instruksjonene ikke følges.

Les nøye gjennom disse sikkerhetsinstruksjonene før bruk av apparatet. Oppbevar dem i nærheten for fremtidig bruk. Disse anvisningene og selve apparatet gir viktige sikkerhetsadvarsler som skal overholdes til enhver tid. Produsenten frasier seg ethvert ansvar for manglende overholdelse av disse sikkerhetsinstruksjonene, for feil bruk av apparatet eller feil innstilling av kontrollinnretninger.

⚠ Svært små barn (0-3 år) skal holdes på avstand fra apparatet. Små barn (3-8 år) skal holdes på avstand fra apparatet, med mindre de overvåkes kontinuerlig. Barn fra 8 år og opp og personer med redusert fysisk, sensorisk eller mental kapasitet eller som mangler erfaring og kunnskap, kan bruke dette apparatet kun dersom de får tilsyn eller instruksjoner om sikker bruk og forstår hvilke farer det kan medføre. Barn må ikke leke med apparatet. Rengjøring og vedlikehold skal ikke gjennomføres av barn uten tilsyn.

TILLATT BRUK

⚠ FORSIKTIG: Apparatet er ikke beregnet på å settes igang ved hjelp av en ekstern bryterenhet, slik som en timer eller et separat fjernkontrollsystem.

⚠ Dette apparatet er beregnet til bruk i husholdninger og lignende bruksområder, slik som: personalkjøkken i butikker, på kontorer eller i andre arbeidsmiljøer; bondegårder; av klienter på hoteller, moteller, pensjonater og andre bomiljøer.

⚠ Dette apparatet er ikke beregnet for profesjonell bruk. Ikke bruk apparatet utendørs.

⚠ Apparatet er beregnet til bruk på et sted der omgivelsestemperaturen er innenfor de følgende områdene i henhold til den klimatiske klassen som gis på typeskiltet. Apparatet fungerer kanskje ikke riktig hvis det står i lang tid utenfor det spesifiserte området.

Klimaklasse Amb. T. (°C)

SN: Fra 10 til 32 °C; N: Fra 16 til 32 °C

ST: Fra 16 til 38 °C; T: Fra 16 til 43 °C

⚠ Dette produktet inneholder ikke KFK-er. Kjølekretsen inneholder R600a (HC). Apparater med isobutan (R600a): isobutan er en naturlig gass uten miljøpåvirkning, men den er antennelig. Se derfor til at kjølekretsrørene ikke er skadet, spesielt ved tømning av kjølekretsen.

⚠ ADVARSEL: Pass på så du ikke skader apparatets kjølekretsrør.

⚠ ADVARSEL: Ikke dekk til ventilasjonsåpningene i kjøleskapskroget eller den innebygde strukturen.

⚠ ADVARSEL: Ikke bruk andre mekaniske, elektriske eller kjemiske metoder enn de som er anbefalt av produsenten for å akselerere avisingsprosessen.

⚠ ADVARSEL: Ikke bruk eller plasser elektriske apparater inne i apparatets deler hvis de ikke er av en type som er uttrykkelig tillatt av produsenten.

⚠ ADVARSEL: Ismaskiner og/eller vanddispensere som ikke er direkte tilkoblet vannforsyningen, må fylles kun med drikkevann.

⚠ ADVARSEL: Automatiske ismaskiner og/eller vanddispensere må kobles til en vannforsyning som leverer kun drikkevann, med nettvanntrykk mellom 0,17 og 0,81 MPa (1,7 og 8,1 bar).

⚠ Ikke lagre eksplosive stoffer som spraybokser med antennelig drivgass i dette apparatet.

⚠ Ikke svelg innholdet (ikke giftig) fra ispakningene (leveres med noen modeller). Ikke spis isbiter eller saftis rett etter at de er tatt ut av fryseren, da de kan forårsake forfrysninger.

⚠ For produktet som er designet til å bruke et luftfilter inne i et tilgjengelig viftedeksel, må filteret alltid være i posisjon når kjøleskapet er i funksjon.

⚠ Ikke plasser glassbeholdere med væske i fryserdelen, da de kan knuses. Ikke forhindre viften (hvis inkludert) med matartikler. Etter plassering av maten kontroller at døren til delene lukker på riktig måte, spesielt fryserdøren.

⚠ Skadede pakninger må skiftes ut så snart som mulig.

⚠ Bruk kjøleskapsdelen kun til lagring av fersk mat og fryserdelen kun til lagring av frossen mat, frysing av mat og laging av isbiter.

⚠ Unngå å oppbevare uinnpakket mat i direkte kontakt med innvendige overflater på kjøleskapet eller frysedelene. Apparater skal ha spesielle deler (ferskmatdel, nullgradersboks osv.). Med mindre annet er spesifisert i det spesifikke heftet til produktet, kan de fjernes og likevel opprettholde tilsvarende ytelser.

INSTALLASJON

⚠ Apparatet må håndteres og installeres av to eller flere personer - fare for skade. Bruk vernehansker for å pakke ut og installere – fare for å skjære seg.

⚠ Installasjon, inkludert vannforsyning (hvis noen) og elektriske tilkoblinger, samt reparasjoner, må utføres av en kvalifisert tekniker. Ikke reparer eller skift ut noen del av apparatet med mindre dette er spesifikt angitt i brukerhåndboken. Hold barn på avstand fra installasjonsstedet.

Etter utpakking av apparatet, se til at det ikke har blitt skadet i løpet av transporten. I tilfelle problemer ta kontakt med forhandleren eller nærmeste Aftersales-service. Etter installasjon må emballasjeavfall (plast, isopordeler osv.) oppbevares utilgjengelig for barn - risiko for kvelning. Apparatet skal kobles fra strømuttaket før noen installasjonsoperasjon - risiko for elektrisk støt. I løpet av installasjonen se til at apparatet ikke skader strømkabelen - risiko for brann eller elektrisk støt. Aktiver kun apparatet når installasjonen har blitt fullført.

⚠ Se til å ikke skade gulvene (f.eks. parketten) ved flytting av apparatet. Installer apparatet på et gulv eller støtte som er sterk nok til å tåle vekten og på en plass som er egnet for størrelse og bruk. Se til at apparatet ikke er i nærheten av en varmekilde og at de fire føttene er stabile og hviler på gulvet, ved å justere dem etter behov, og kontroller at apparatet er perfekt innjustert i henhold til et vater. Vent i minst to timer før du slår på apparatet, for å sikre at kjølekretsen er fullstendig effektiv.

⚠ For å garantere tilstrekkelig ventilasjon la det være en klaring på begge sider av og over apparatet. Avstanden mellom baksiden av apparatet og veggen bak apparatet skal være 50 mm, for å unngå tilgang til varme overflater. En reduksjon av denne klaringen vil øke energiforbruket til produktet.

⚠ ADVARSEL: For å unngå fare på grunn av ustabilitet må apparatet posisjoneres eller festes i samsvar med produsentens anvisninger. Det er forbudt å plassere kjøleskapet på en slik måte at metallslangen til gasskomfyren, gass- eller vannrør i metall, eller elektriske kabler er i kontakt med kjøleskapets bakvegg (kondensatorspole).

⚠ Hvis det er nødvendig å skifte ut dører, ta kontakt med teknisk hjelpesenter.

ELEKTRISKE ADVARSLER

⚠ Det må være mulig å koble apparatet fra strømforsyningen ved å trekke det ut hvis pluggen er tilgjengelig, eller med en flerpolet bryter som er installert oppstrøms for uttaket i samsvar med kablingsreglene, og apparatet må være jordet i samsvar med elektriske standarder.

⚠ Ikke bruk skjøteledninger, multiuttak eller adaptere. De elektriske komponentene må ikke være tilgjengelig for brukeren etter installasjon. Ikke bruk apparatet når du er våt eller barfoot. Ikke bruk dette apparatet hvis det har en skadet strømlledning eller plugg, hvis det ikke fungerer riktig, eller hvis det har blitt skadet eller har falt i gulvet.

⚠ Hvis strømlledningen er skadet, må den skiftes ut med en identisk ledning av produsenten, serviceagenten eller lignende kvalifiserte personer for å unngå en fare - risiko for elektrisk støt.

⚠ ADVARSEL: Når du posisjonerer apparatet, se til at strømlledningen ikke er fastklemt eller skadet.


⚠ ADVARSEL: Ikke finn flere bærbare stikkontakter eller bærbare strømforsyninger i nærheten av apparatet.

RENGJØRING OG VEDLIKEHOLD

⚠ ADVARSEL: Se til at apparatet er slått av og frakoblet strømforsyningen før utføring av en eventuell vedlikeholdsoperasjon; bruk aldri noe teamrengjøringsutstyr - risiko for elektrisk støt.

⚠ Ikke bruk skurende eller aggressive rengjøringsmidler som vindussprayer, skurende rengjøringsmidler, antennelige væsker, rengjøringsvoks, konsentrerte rengjøringsmidler, blekemidler eller rensmidler som inneholder bensinprodukter på plastdeler, interiør og dørføringer eller pakninger. Ikke bruk tørkepapir, skuresvamper eller andre aggressive rengjøringsprodukter.


KASTING AV EMBALLASJE

Innpakningsmaterialet er 100 % resirkulerbart og er merket med resirkuleringssymbolet .

De ulike delene på pakningen må derfor kastes ansvarsfullt og i samsvar med lokale myndigheters forskrifter vedrørende avfallshåndtering.

KASTING AV HUSHOLDNINGSAPPARATER

Dette apparatet er produsert med resirkulerbare eller gjenbrukbare materialer. Skal kastes i henhold til lokale avfallsforskrifter. For mer informasjon om behandling, gjenvinning og resirkulering av elektriske husholdningsapparater, ta kontakt med den lokale myndigheten, renholdsverket eller butikken der du kjøpte apparatet. Dette apparatet er merket i samsvar med EU-direktiv 2012/19/EU om elektrisk og elektronisk utstyrsavfall (WEEE). Ved å sikre at dette produktet avhendes på riktig måte, hjelper du til med å beskytte miljøet og menneskets helse mot negative konsekvenser.

Symbolet  på produktet eller på de medfølgende dokumentene, angir at det ikke skal behandles som husholdningsavfall, men skal leveres til et innsamlingspunkt for resirkulering av elektriske og elektroniske innretninger.

ENERGISPARETIPS

Installer apparatet i et tørt, godt ventilert rom langt borte fra enhver varmekilde (f.eks. radiator, komfyr osv.) og på en plass som ikke utsettes for direkte sollys. Bruk en isolasjonsplate ved behov.

For å garantere tilstrekkelig ventilasjon følg installasjonsinstruksjonene. Utilstrekkelig ventilasjon på baksiden av produktet øker energiforbruket og reduserer kjøleeffekten.

Hyppig døråpning kan forårsake en økning i energiforbruket. Den innvendige temperaturen til apparatet og energiforbruket kan også påvirkes av omgivelsestemperaturen, samt plasseringen av apparatet. Temperaturinnstillingen skal ta hensyn til disse faktorene.

Reduser døråpningen til minimum.

Når du tiner frossen mat, plasser den i kjøleskapet. Den lave temperaturen i de frosne produktene kjøler ned maten i kjøleskapet. La varm mat og drikke kjøle seg ned før de plasseres i kjøleskapet.

Plasseringen av hyllene i kjøleskapet har ingen innvirkning på effektiv bruk av energi. Maten skal plasseres på hyllene på en slik måte at det sikres riktig luftsirkulasjon (matvarer skal ikke berøre hverandre og avstanden mellom mat og bakvegg skal overholdes).

Du kan øke lagringskapasiteten til frossen mat ved å fjerne kurvene og Stop Frost-hyllen, hvis denne finnes.

Ikke bry deg om støy som kommer fra kompressoren, da de er beskrevet som normale lyder i hurtigguiden til dette produktet.



Riktig avfallshåndtering av det gamle kjøleskapet

⚠ ADVARSEL

Kvelningsfare

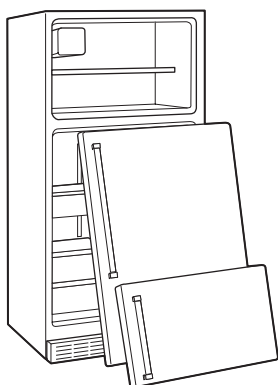
Fjern dører fra det gamle kjøleskapet.

Hvis dette ikke gjøres, kan det medføre død eller hjerneskade.

VIKTIG: Det at barn blir innestengt og kveles er ikke problemer som hører fortiden til. Skrotede eller forlatte kjøleskap er fortsatt farlige – selv om de bare skal “stå der noen få dager”. Hvis du skal kvitte deg med det gamle kjøleskapet ditt, følg disse instruksjonene for å hjelpe til å unngå ulykker.

Før du kaster ditt gamle kjøleskap eller fryser:

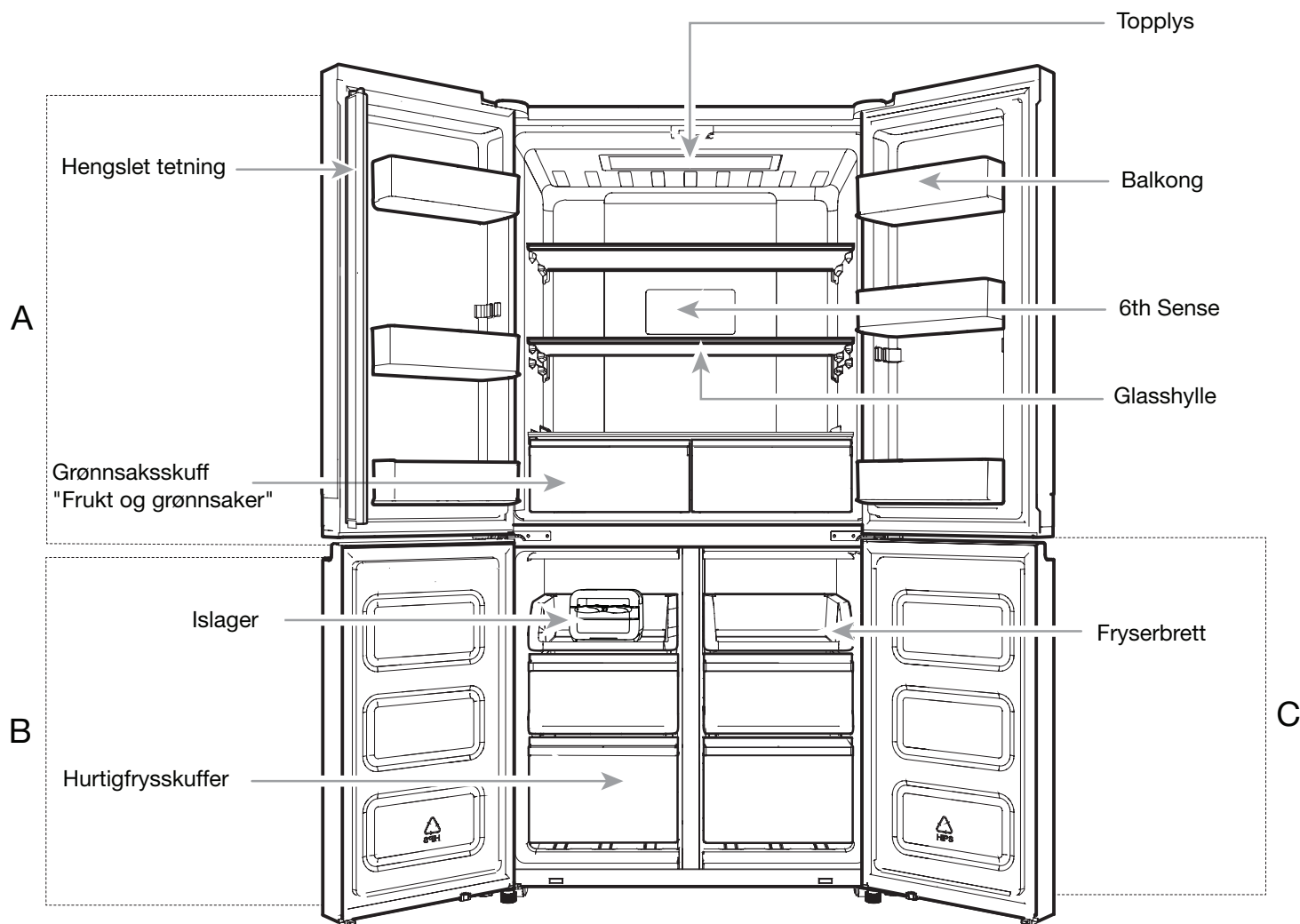
- Ta av dørene.
- La hyllene være på plass, slik at barn ikke enkelt kan klatre på innsiden.



Viktig informasjon om avfallshåndtering av kjølemidler:

Kjøleskapet skal avfallshåndteres i samsvar med nasjonale og lokale forskrifter. Kjølemidler må evakueres av en autorisert, kjølemiddeltekniker i samsvar med etablerte prosedyrer.

DELER OG FUNKSJONER



- A . Kjøleskap
- B . Fryser
- C . Flexi Freeze (kun på WQ9 B1L, 6WM24NIHAS og WQ70900SXX)

INSTALLASJONSINSTRUKSJONER

Komme i gang

SJEKKLISTE FOR INSTALLASJON

✓ Elektrisk strøm

⚠ ADVARSEL



Fare for elektrisk støt

Sett støpselet i en jordet stikkontakt.

Du må aldri fjerne jordpinnen.

Adapter skal ikke brukes.

Skjøteledning skal ikke brukes.

Hvis disse anvisningene ikke følges, kan det medføre død, brann eller elektrisk støt.

- Sett støpselet til kjøleskapet i en jordet stikkontakt.

✓ Dører

- Hvis dørene må fjernes under installasjonen, se avsnittene "Fjern og sett på plass kjøleskapsdørene" og "Fjern og sett på plass fryserdørfrontene".
- Dørtetninger er fullstendige.
- Kjøleskapet står i vater. Juster nivelleringsføttene slik at de er tett mot gulvet.
- Dører er i vater på toppen. (Bruk dørinnjusteringsfunksjonen ved behov.)

✓ Endelige kontroller

- Fjern alle forsendelsesmaterialer.
- Sett temperaturkontrollene på den anbefalte innstillingen.
- Ta vare på anvisningene og annen litteratur.
- For å motta en mer fullstendig hjelp registrer produktet ditt på www.whirlpool.eu/register.

Pakke ut kjøleskapet

⚠ ADVARSEL

Fare for høy vekt

Det kreves to eller flere personer til å flytte og installere kjøleskapet.

Hvis ikke, kan det medføre ryggskader eller andre skader.

Levering av kjøleskapet

Minimum døråpning på 838 mm (33") er nødvendig. Hvis døråpningen 914 mm (36") eller mindre, må du fjerne dører, skuffer og hengsler.

Transporter kjøleskapet fra siden for alle døråpninger.

Når du flytter kjøleskapet:

Kjøleskapet er tungt. Når du flytter kjøleskapet for rengjøring eller service, se til å dekke til gulvet med papp eller harde underlag for å unngå gulvskade. Trekk alltid kjøleskapet rett ut når du flytter det. Ikke rugg eller "gå" med kjøleskapet når du prøver å flytte det, da dette kan forårsake gulvskade.

Fjern pakningen

- Fjern tape- og limrester fra overflatene før du slår på kjøleskapet. Gni en liten mengde flytende oppvaskmiddel over limet med fingrene. Tørk av med varmt vann og tørk.
- Ikke bruk skarpe instrumenter, rensealkohol, antenkelige væsker eller skurende rengjøringsmidler for å fjerne tape eller lim. Disse produktene kan skade overflaten på kjøleskapet.
- Kast/resirkuler alle pakningsmaterialer.

Rengjør før bruk

Etter at du fjerner alle pakningsmaterialene, rengjør innsiden av kjøleskapet før bruk. Se rengjøringsanvisningene i avsnittet "Pleie av kjøleskapet".

Viktig informasjon om glasshyller og deksler:

Ikke rengjør glasshyller eller deksler med varmt vann når de er kalde. Hyller og deksler kan knuses hvis de utsettes for plutselige temperaturendringer eller støt, slik som sammenstøt.

Temperert glass er designet til å knuses i mange små stykker på størrelse av småsteiner. Dette er normalt. Glasshyller og deksler er tunge. Bruk begge hender når du flytter dem for å unngå å miste dem.

Krav til plassering

⚠ ADVARSEL



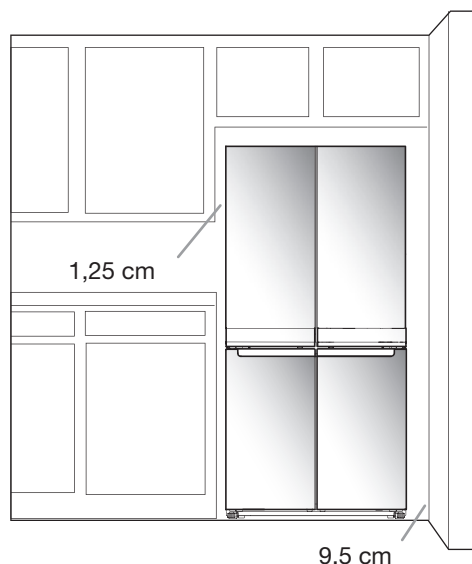
Eksplisjonsfare

Hold antenkelige materialer og damper, som bensin, på avstand fra kjøleskapet.

Hvis dette ikke gjøres, kan det medføre død, eksplosjon eller brann.

For å sikre riktig ventilasjon for kjøleskapet la det være 1,25 cm plass på hver side og på toppen. La det være 5 cm plass bak kjøleskapet. Hvis kjøleskapet har en ismaskin, la det finnes ekstra plass på baksiden for vannlinjetilkoblingene. Ved installering av kjøleskapet ved siden av en fast vegg, la det være en 9,5 cm minimal plass mellom kjøleskapet og veggen for at det skal være mulig å svinge opp døren for å åpne det.

MERK: Dette kjøleskapet er beregnet til bruk på et sted der temperaturen strekker seg fra et minimum på 10 °C til et maksimum på 43 °C. Det foretrukne området til romtemperaturen for optimal ytelse, som reduserer strømforbruket og gir overlegen kjøling, er mellom 15 °C og 32 °C. Det anbefales at du ikke installerer kjøleskapet i nærheten av en varmekilde, slik som en ovn eller en radiator.



Strømkrav

⚠ ADVARSEL



Fare for elektrisk støt

Sett støpselet i en jordet stikkontakt.

Du må aldri fjerne jordpinnen.

Adapter skal ikke brukes.

Skjøteledning skal ikke brukes.

Hvis disse anvisningene ikke følges, kan det medføre død, brann eller elektrisk støt.

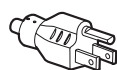
VIKTIG: Installasjon og en elektriske tilkoblingen må utføres av en kvalifisert tekniker i henhold til produsentens anvisninger og i samsvar med de lokale sikkerhetsforskriftene.

- Kjøleskapet er designet til å fungere på en separat 220-240 V, 10 A, 50/60 Hz krets.
- Se til at spenningen som er spesifisert på typeskiltet tilsvarer den for hjemmet.
- Det må være mulig å koble apparatet fra strømforsyningen ved å trekke det ut eller med en topols bryter som er installert oppstrøms for uttaket.
- Hvis forsyningsledningen er skadet, må den skiftes ut av produsenten, serviceagenten eller lignende kvalifiserte personer for å unngå en fare.

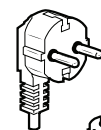
Før du flytter kjøleskapet til endelig plassering, er det viktig å sørge for at du har riktig elektrisk tilkobling.

Anbefalt jordingsmetode

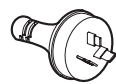
220-240 volt 50 Hz, 220 volt 60 Hz eller 230/240 volt 50 Hz AC kun 10 A sikret og jordet elektrisk forsyning kreves.



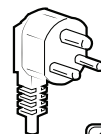
Type B



Type E og F



Type I



Type M



Type G

For Australia og New Zealand:

Det nye apparatet har blitt spesielt produsert for å oppfylle alle australske standarder og betingelser.

Noen merknader i installasjonsinstruksjonene kan henvise til elektriske krav i andre land, så vi kan trekke den spesielle oppmerksomheten til disse spesifikke merknadene.

Apparatet må plugges inn i et 230/240 volt, 50 Hz AC, kun 10 A jordet uttak.

Strømkrav (Storbritannia og Nord-Irland)

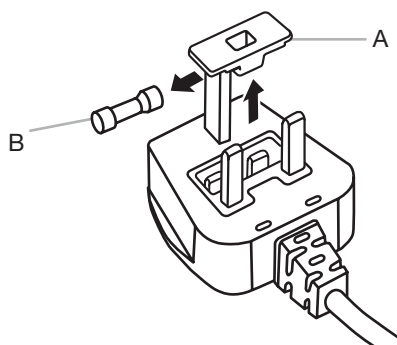
VIKTIG: Kjøleskapet må jordes.

Skifte av sikring

Hvis hovedledningen til dette kjøleskapet er montert med en BS1363A, 13 A sikret plugg, for å skifte ut en sikring i denne typen plugg, bruk en A.S.T.A.-godkjent sikring av typen BS 1362 og gå frem som følger:

1. Fjern sikringdekselet (A) og sikringen (B).
2. Monter en ny 13 A sikring i sikringsdekselet.
3. Sett inn både sikringen og dekselet i pluggen igjen.

VIKTIG: Sikringsdekselet må monteres ved utskiftning av en sikring. Hvis du mister sikringsdekselet, må pluggen ikke brukes inntil et riktig reservedeksel er montert. Et riktig reservedeksel identifiseres gjennom fargeinnlegget eller et farget ord som er integrert på basen av pluggen. Reservedeksler er tilgjengelige fra den lokale elektriske forhandleren.



A. Sikringsdeksel
B. Sikring

For Irland (kun):

Informasjonen som er gitt for Storbritannia vil ofte gjelde, men det brukes også en tredje type plugg og kontakt, 2-pins, sidejordet type.

Uttak/plugg (gyldig for begge land):

Hvis den monterte pluggen ikke er egnet for uttaket. Ta kontakt med ettersalgsservice for ytterligere anvisninger. Ikke gjør forsøk på å bytte pluggen selv. Denne prosedyren må utføres av en kvalifisert tekniker i henhold til produsentens anvisninger og aktuelle sikkerhetsstandarder.

Temperatur

Kjøleskapet er beregnet til bruk på et sted der temperaturen er innenfor de følgende områdene i henhold til den klimatiske klassen som vises på typeskiltet. Kjøleskapet fungerer kanskje ikke riktig hvis det står i lang tid utenfor det spesifiserte området.

MERK: Det anbefales at du ikke installerer kjøleskapet i nærheten av en varmekilde, slik som en ovn eller en radiator.

Klimaklasse	Omg. T. (°C)	Omg. T. (°F)
SN	Fra 10 til 32	Fra 50 til 90
N	Fra 16 til 32	Fra 61 til 90
ST	Fra 16 til 38	Fra 61 til 100
T	Fra 16 til 43	Fra 61 til 110

Fjerne og sette på plass kjøleskapsdørene

MERK: Mål bredden på døråpningen for å se om du trenger å fjerne kjøleskapsdørene eller ikke for å flytte kjøleskapet inn i hjemmet. Hvis det er nødvendig å fjerne dørene, se følgende anvisninger.

VIKTIG: Hvis kjøleskapet var installert tidligere og u flytter det ut av hjemmet, slå av kjøleskapskontrollen før du begynner å ta av dørene. Trekk ut støpselet til kjøleskapet eller koble fra strømmen. Fjern mat og justerbar dør eller oppbevaringsbeholdere fra dørene.

Hent de nødvendige verktøyene og les alle anvisningene før du fjerner dørene.

NØDVENDIGE VERKTØY: 6 mm skiftøkkel, 5 mm skiftøkkel og nr. 2 Phillips skrutrekker.



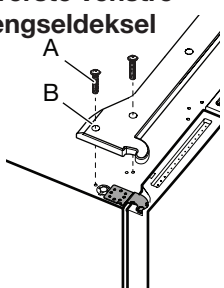
⚠ ADVARSEL

Fare for elektrisk støt

Koble fra strømmen før fjerning av dører.

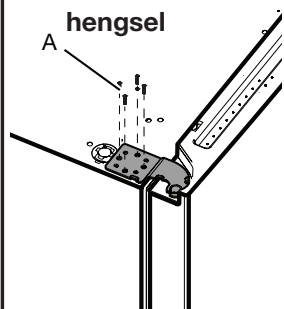
Hvis dette ikke gjøres, kan det medføre død eller elektrisk støt.

Øverste venstre hengseldeksel



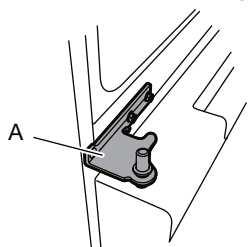
- A. Øverste hengseldekselskruer
- B. Øverste hengseldeksel

Øverste venstre hengsel



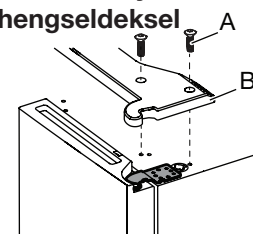
- A. 5 mm sokkelskruer

Midtre venstre hengsel



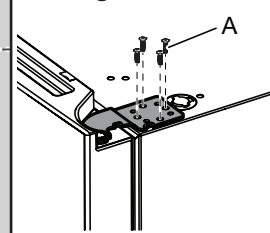
- A. Hengsel

Øverste høyre hengseldeksel



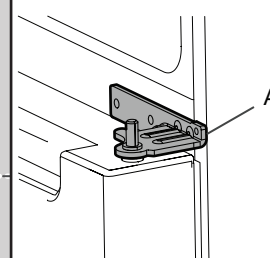
- A. Øverste hengseldekselskruer
- B. Øverste hengseldeksel

Øverste høyre hengsel



- A. 5 mm sokkelskruer

Midtre høyre hengsel



- A. Hengsel

⚠ ADVARSEL

Fare for høy vekt

Bruk to eller flere personer til å løfte kjøleskapet.
Hvis ikke, kan det medføre ryggskader eller andre skader.

Ta av kjøleskapsdører

⚠ ADVARSEL



Fare for elektrisk støt

Koble fra strømmen før fjerning av dører.

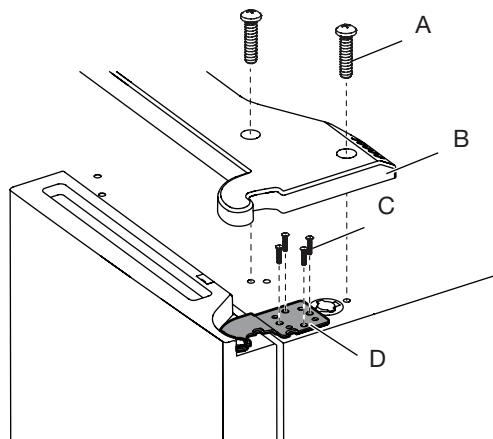
Hvis dette ikke gjøres, kan det medføre død eller elektrisk støt.

Ta av høyre dør

1. Trekk ut støpselet til kjøleskapet eller koble fra strømmen.
2. Hold kjøleskapsdørene lukket inntil du er klar til å løfte dem av fra skapet.

MERK: Sørg for ekstra støtte for kjøleskapsdøren mens hengslene fjernes. Ikke stol på at dørpakkingsmagnetene holder døren på plass mens du jobber.

3. Bruk et Phillips skrujern for å fjerne dekselet fra den øverste hengselen.
4. Bruk 5 mm skiftenøkkel, fjern fire skruer fra topphengselen og legg dem til side.



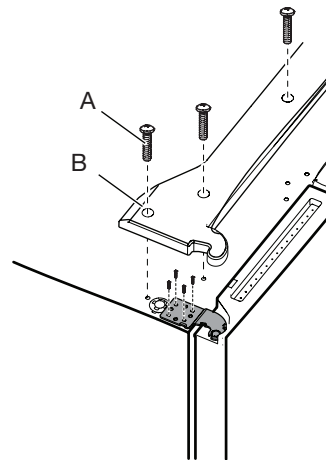
- A. Øverste hengseldekselskrue C. 5 mm sokkelskruer
B. Øverste hengseldeksel D. Øverste hengsel

5. Løft kjøleskapsdøren fra den midterste hengselpinnen. Den øverste hengselen vil komme av med døren.

Ta av venstre dør

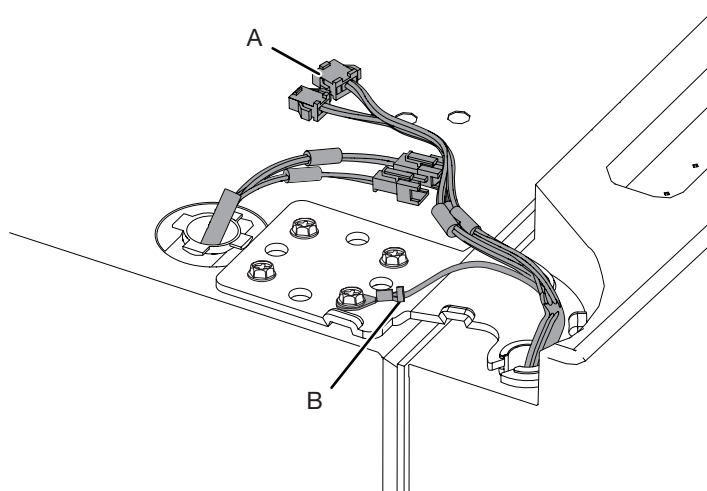
VIKTIG: Kablingen for brukergrensesnittet går gjennom går gjennom venstre dørhengsel, så det må kobles fra før døren fjernes.

1. Bruk et Phillips skrujern for å fjerne dekselet fra den øverste hengselen.



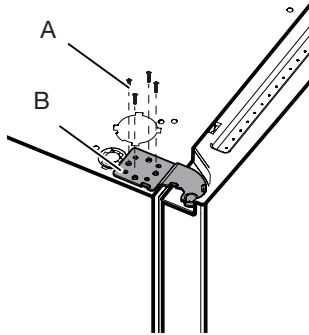
- A. Øverste hengseldekselskrue
B. Øverste hengseldeksel

2. Koble fra de to kablingspluggene som finnes oppå dørhengselen.
 - Grip hver side av kablingspluggene. Med venstre tommel trykker du ned for å frigjøre låsen og trekker pluggdelene fra hverandre.



- A. Kablingsplugg
B. Jordtilkobling

3. Bruk 5 mm skiftenøkkel, fjern fire innvendige skruer fra topphengselen og legg dem til side.



A. 5 mm sokkelskruer
B. Tophengsel

MERK: Sørg for ekstra støtte for kjøleskapsdøren mens hengslene fjernes. Ikke stol på at dørpakningsmagnetene holder døren på plass mens du jobber.

4. Løft kjøleskapsdøren fra den nederste hengselpinnen. Den øverste hengselen vil komme av med døren.

MERK: Det er kanskje ikke nødvendig å fjerne bunnhengslene og bremsefotene for å flytte kjøleskapet gjennom en dør.

- Kun ved behov bruk 6 mm skiftenøkkel og nr. 2 Phillips skrutrekker for å fjerne midtre hengsel.

Sett på plass høyre kjøleskapsdør

1. Sett høyre dør på den midterste hengselpinnen.
2. Sett inn den øverste hengselpinnen i det åpne hullet øverst i kjøleskapsdøren.
3. Bruk fire 5 mm sokkelskruer, fest hengselet til kabinettet. Ikke stram skruene helt.

Sett på plass venstre kjøleskapsdør

1. Sett venstre dør på den midterste hengselpinnen.
2. Bruk fire 5 mm sokkelskruer, fest hengselet til kabinettet. Ikke stram skruene helt.
3. Koble til de elektriske ledningene igjen.
 - Skyv sammen de to delene av kablingspluggen.
 - Koble til jordingskabelen til hengselskruen.

Endelige trinn

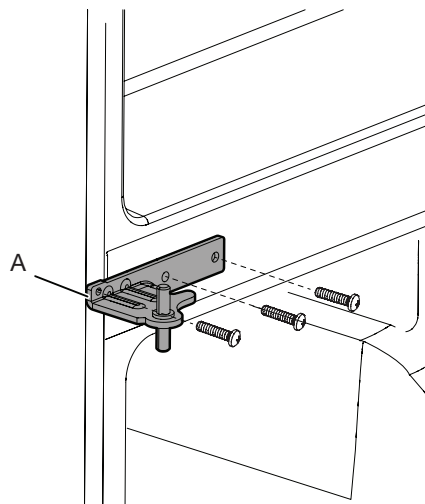
1. Stram til de åtte 5 mm sokkelskruene helt.
2. Sett på plass de øverste hengseldekslene.

Fjerne og sette på plass fryserdøren/ Flexi Freeze-døren

1. Hold fryserdørene lukket inntil du er klar til å løfte dem av fra skapet.

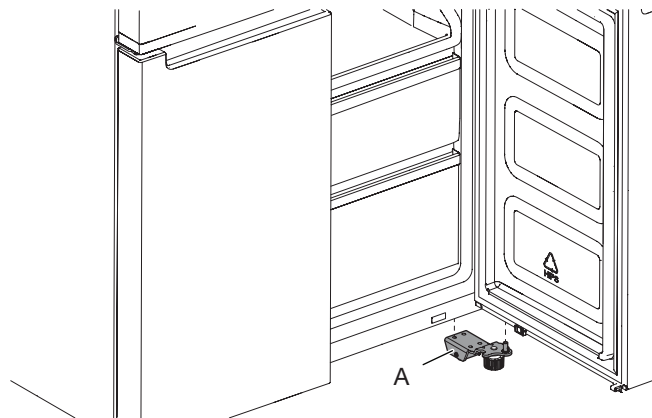
MERK: Sørg for ekstra støtte for fryserdøren mens hengslene fjernes. Ikke stol på at dørpakningsmagnetene holder døren på plass mens du jobber.

- Bruk en nr. 2 Phillips skrujern og 6 mm skiftenøkkel for å fjerne midtre hengsel fra kabinettet.



A. Midtre hengsel

- Løft fryserdøren fra den nederste hengselpinnen.



A. Nedre hengsel

⚠ ADVARSEL



Fare for elektrisk støt

Sett støpselet i en jordet stikkontakt.

Du må aldri fjerne jordpinnen.

Adapter skal ikke brukes.

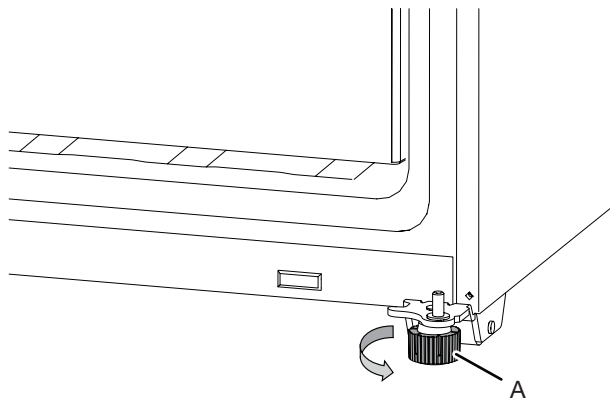
Skjøteledning skal ikke brukes.

Hvis disse anvisningene ikke følges, kan det medføre død, brann eller elektrisk støt.

1. Sett støpselet i en jordet stikkontakt.
2. Returner alle avtakbare deler og mat til skuffene.

Innjustering av kjøleskapet

1. Flytt kjøleskapet til den endelige plasseringen.
2. Bruk hånden og roter bremseføttene. Skru dem mot klokka inntil rullene løftes fra gulvet og begge bremseføttene er tett mot gulvet. Dette forhindrer at kjøleskapet ruller fremover når du åpner dørene.



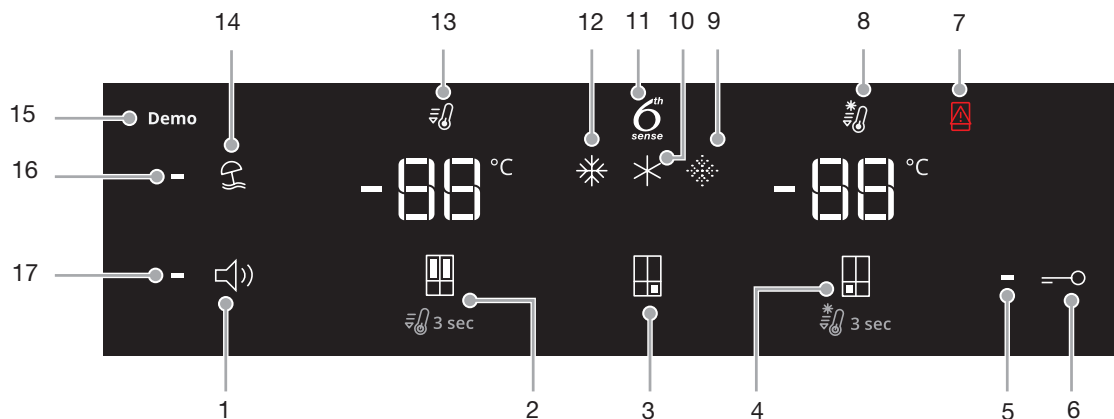
A. Bremseføtter

VIKTIG: Hvis du trenger å gjøre ytterligere justeringer som involverer bremseføttene, må du dreie begge bremseføttene like mye for å holde kjøleskapet i vater.

3. Bruk et vater for å sørge for at kjøleskapet står i vater side til side, og foran og bak.

Bruke kontrollene

De berøringsaktiverede kontrollene befinner seg på venstre kjøleskapsdør. Kontrollpanelet inkluderer informasjon om ulike knapper og indikatorer. Kjøleskapets og fryserens temperaturindikator viser siste temperatursettpunkt.



1. Lyd PÅ/AV-knapp
2. Kjøleskapets temperaturknapp (hold 3 sek for Fast Cool)
3. Flexi Freeze forhåndsinnstilt temperaturknapp (kun på WQ9 B1L, 6WM24NIHAS og WQ70900SXX)
4. Frysertemperaturknapp (hold 3 sek for Fast Freeze)
5. Nøkkellåsindikator
6. Nøkkellåsknapp
7. Dør åpen-indikator
8. Hurtigfrysindikator
9. Soft Freeze-indikator (kun på WQ9 B1L, 6WM24NIHAS og WQ70900SXX)
10. Mid Freeze-indikator (kun på WQ9 B1L, 6WM24NIHAS og WQ70900SXX)
11. 6th Sense-indikator
12. Hard Freeze-indikator (kun på WQ9 B1L, 6WM24NIHAS og WQ70900SXX)
13. Fast Cool-indikator
14. Feriemodusknapp
15. Demomodusindikator (kun på WQ9 B1L, 6WM24NIHAS og WQ70900SXX)
16. Feriemodusindikator
17. Lydindikator

Kontrollpanelet vil slå seg av automatisk etter 1 minutt inaktivitet. For å slå på kontrollpanelet trykk hvilken som helst tast.

- 88 Vise og justere temperatursettpunktene

Justere kjøleskaps- og fryserdelens temperatur:

For din beileilighet er kjøleskaps- og fryserkontrollene forhåndsinnstilt ved fabrikkens.

Når du først installerer kjøleskapet, se til at kontrollene er stilt til de anbefalte settpunktene. De fabrikk anbefalte settpunktene er 3°C for kjøleskapet og -18°C for fryseren.

Trykk på kjøleskapets eller fryserens temperaturknapp vil bytte gjennom temperatursettpunktene i celsius (°C).

VIKTIG:

- Vent i 24 timer før du legger mat inn i kjøleskapet. Hvis du legger inn mat før kjøleskapet har kjølt seg helt ned, kan det hende at maten blir ødelagt.
MERK: Justering av settpunktene til en kaldere innstilling enn det som er anbefalt, vil ikke kjøle ned kjølerommene noe hurtigere.
- Hvis temperaturen er for varm eller for kald i kjøleskapet eller fryseren, kontroller først luftventilene for å forsikre deg om at de ikke er blokkert før du justerer kontrollene.
- De anbefalte innstillingene skal være riktig for normal husholdningsbruk. Kontrollene er stilt riktig når melk eller juice er så kald som du liker deg og når iskrem er fast.
MERK: Områder som garasje, kjeller eller terrasse kan ha høyere luftfuktighetsnivå eller ekstreme temperaturer. Du kan ha behov for å justere temperaturen bort fra de anbefalte innstillingene for å håndtere disse betingelsene.
- Vent i minst 24 timer mellom justeringene. Kontroller temperaturene på nytt før det gjøres noen andre justeringer.

6th Sense Fresh Lock og Freeze Control


6th SENSE Fresh Lock-sensoren sikrer presis og kontinuerlig temperaturkontroll for å bevare ferskmat lenger, på den mest naturlige måte. Når en temperaturvariasjon er oppdaget, aktiverer sensoren en kompressor som hurtig gjenoppretter den originale temperaturen.

6th SENSE Freeze-sensoren minimerer temperatursvingninger i fryseren takket være et innovativt administrasjonssystem. Fryserforbrenninger reduseres for å bevare kvalitet og farge på maten.

* * * Flexi Freeze-innstilling (kun på WQ9 B1L, 6WM24NIHAS og WQ70900SXX)

Flexi Freeze-funksjonen gjør at du kan bytte mellom forhåndsinnstilte temperaturer for Flexi Freeze-delen.

Symbol	Funksjon	Temperatur
✱	Tradisjonell fryser	-18°C
✱	Mild fryser	-12°C
✱	Myk fryser	-7°C

* For å aktivere/deaktivere den kjøligste innstillingen (-20 °C) trykk på Flexi Freeze forhåndsinnstilt temperaturknapp  i 3 sekunder. Når den kjøligste innstillingen er aktivert, vil alle tre ikoner være tent.

Justere multitemperaturinnstillingen

- Tradisjonell fryser (-18°C): Mat allerede frosset og fersk mat (maks 12 måneder)
- Mild fryser (-12°C): Mat allerede frosset (maks 1 måned)
- Myk fryser (-7°C): Mat allerede frosset (maks 1 uke)



- Når Flexible Freezer er stilt på -18°C eller -20°C, ville både Flexible Freezer-temperaturen og Freezer-temperaturen være nedkjølt til den kaldere innstillingen som Freezer eller Flexible Freezer har.
- Flexible Freezer-romtemperaturen er kanskje ikke i stand til å nå -7°C når omgivelsestemperaturen er rundt 10°C eller kaldere.

Når du justerer temperatursettpunktene, bruk følgende oversikt som en veiledning:

TILSTAND	TEMPERATURJUSTERING
Kjøleskap for kaldt	Kjøleskapsinnstilling 1° høyere
Kjøleskap for varmt	Kjøleskapsinnstilling 1° lavere
Fryser for kald	Fryserinnstilling 1° høyere
Fryser for varm / for lite is	Fryserinnstilling 1° lavere



Fast Cool

Fast Cool-funksjonen hjelper med perioder med stor bruk av kjøleskapet, fulle laster med dagligvarer eller midlertidig varme romtemperaturer.

- For å slå på Fast Cool-funksjonen trykk og hold nede kjøleskapets temperaturknapp  i 3 sekunder. Når funksjonen er aktivert, vil Fast Cool-ikonet tennes. Fast Cool-funksjonen vil være på i 2 timer med mindre den slås av manuelt.
- For å manuelt slå av Fast Cool-funksjonen trykk og hold nede kjøleskapets temperaturknapp  i 3 sekunder. Fast Cool-ikonet vil slå seg av når funksjonen ikke er aktivert.
- Justering av kjøleskapstemperaturen vil automatisk slå av Fast Cool-funksjonen.

Fast Freeze

Mengden fersk mat (i kg) som kan fryses på 24 timer er indikert på apparatets typeskilt.

- Trykk på fryserens temperaturknapp  i 3 sekunder (inntil Fast Freeze-indikatoren tennes), 24 timer før plassering av fersk mat i fryseren). Etter at du har plassert fersk mat i fryseren, er vanligvis 24 på Fast Freeze-funksjonen generelt tilstrekkelig. Etter 50 timer deaktiveres hurtigfrysfunksjonen automatisk.
- For å manuelt slå av Fast Freeze-funksjonen trykk og hold nede fryserens temperaturknapp  i 3 sekunder. Fast Freeze-ikonet vil slås av.
- Justering av frysertemperaturen vil automatisk slå av Fast Freeze-funksjonen.

Feriemodus

Denne modusen er designet for å unngå at apparatet sløser med energi i løpet av tider det ikke er i vanlig bruk (for eksempel når du er på ferie).

Ved å velge denne funksjonen vil temperaturen til kjøleskapsdelen (RC) automatisk stilles til 12°C.

- For å bruke feriemodusen trykk på modusknappen inntil feriemodusindikatoren er tent på displayet.
- For å avslutte feriemodusen trykk på modusknappen inntil feriemodusikonet ikke er tent på displayet.
- Justering av kjøleskapstemperaturen vil automatisk slå av feriemodusfunksjonen.

VIKTIG: Hvis denne modusen er valgt, må all mat og drikke fjernes fra kjøleskapsdelen.

Lyd PÅ-AV

Trykk på knappen for å aktivere/deaktivere lydfeedback.

Tastelås

- Trykk og hold inne låseknappen i 3 sekunder for å aktivere låsefunksjonen.
- For å deaktivere låsen trykk og hold låseknappen ned i 3 sekunder.

Låsefunksjonen vil ignorere all interaksjon med kontrollpanelet inntil brukeren låser opp kontrollpanelet. Denne funksjonen er beregnet til å unngå utilsiktet endring av innstillinger.

Demomodus (kun på WQ9 B1L, 6WM24NIHAS og WQ70900SXX)

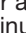
Denne modusen brukes når kjøleskapet skal stilles ut hos en forhandler eller hvis du ønsker å slå av kjølingen og deaktivere alle andre funksjoner (unntatt innvendig belysning).

Demomodus kan brukes når du drar på en lengre ferie. Se avsnittet "Pleie ved ferie og flytting" for riktige trinn når du forlater kjøleskapet i denne modusen over lang tid.

- Hvis du slår på demomodus vil ikonet "Demo" vises på displayet.
- Gå inn i eller avslutt demomodusen ved å trykke og holde nede lyd på- eller av-knappen og låseknappen samtidig i 3 sekunder.

Tilleggsfunksjoner

Alarm for åpen dør

- Alarmfunksjonen for dør åpen avgir en alarm og ikonet "Dør åpen" blinker  når en av de fire dørene er åpne i 2 minutter eller mer.
- Alarmen blir gjentatt hvert 5. minutt. Lukk alle dører for å slå den av.

MERK: For å dempe den hørbare alarmen mens dørene står åpne, slik som mens du rengjør inne i kjøleskapet, berør en hvilken som helst knapp på kontrollpanelet. Alarmlyden vil slås av midlertidig, men Dør åpen-ikonet vil fortsatt vises på kontrollpanelet.

Belysning på kjøleskapet

Kjøleskapet har ett innvendig lys som tennes hver gang døren åpnes.

MERK: Lyset er en LED som ikke trenger å skiftes ut. Hvis LED-en ikke tennes når døren åpnes, ring service for å skifte lyset.

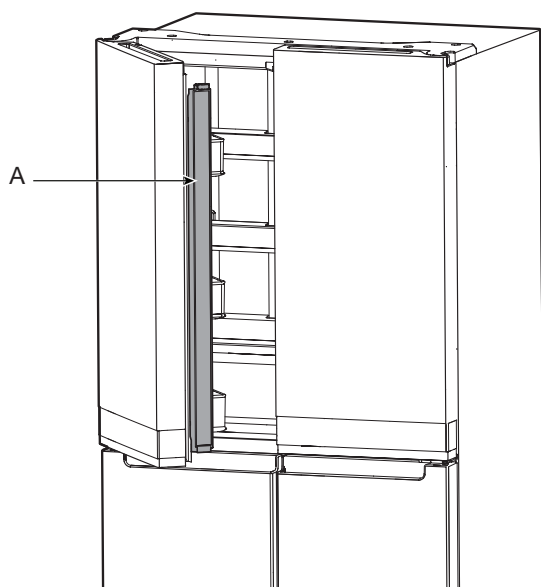
BRUK AV KJØLESKAPET

Åpne og lukke dører

Det finnes to kjøleskapsdører. Dørene kan åpnes og lukkes enten sammen eller hver for seg. Det finnes en vertikalt hengslet tetning på venstre kjøleskapsdør.

- Når venstre sidedør åpnes, foldes den hengslede tetningen automatisk innover, slik at den ikke er i veien.
- Når begge dørene er lukket, danner den hengslede tetningen automatisk en tetning mellom de to dørene.

MERK: Når du lukker døren, skal den hengslede tetningen være i riktig posisjon (være bøyd innover). Ellers vil den treffe den høye døren eller festeakselen.

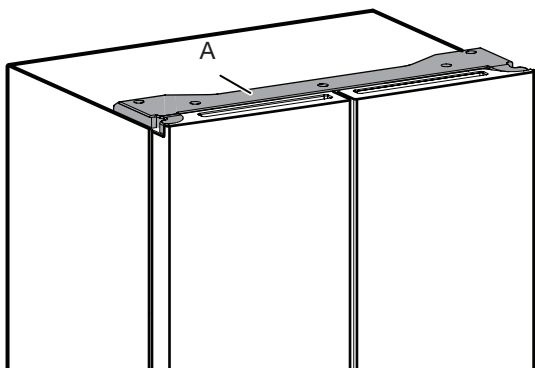


A. Hengslet tetning

Kjøleromsdørens bryter finnes øverst i venstre og høyre hengseldekslet.

- For fryser og multitemperatursone finnes dørbryteren i bunnstolpen.
- Dørbryteren bruker en magnet til å spore døråpning/-lukking.
- Se til at det ikke finnes noen magnet eller noen elektroniske enheter (høytalere, Coolvox® osv.) innenfor 7,62 cm for hengselokket.

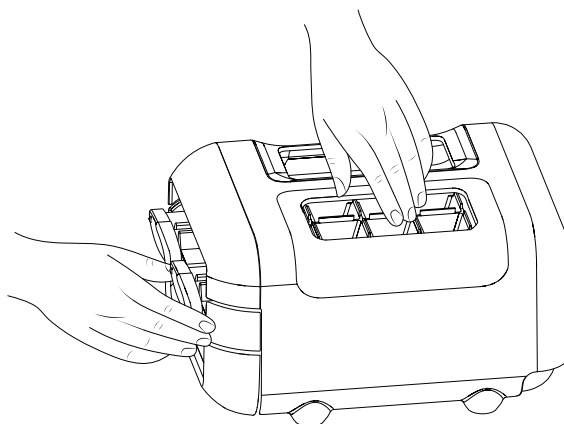
MERK: Lyset vil ikke slå seg på hvis døråpningen ikke detekteres.



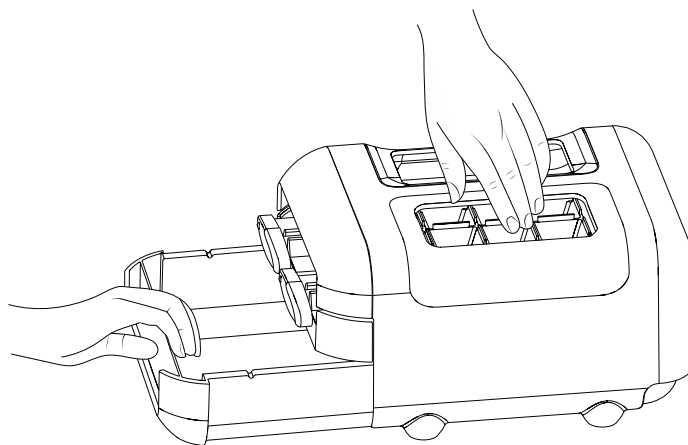
A. Hengseldeksel

Ismaskinen

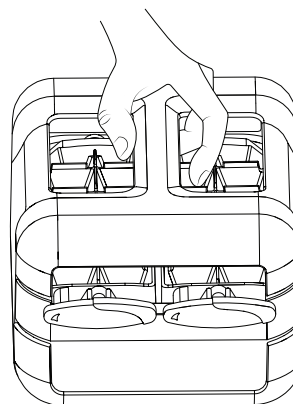
- For å lage is fyll isbrettet med rensset vann, og plasser den manuelle ismaskinen i fryserens topphylle. La det gå tid til isen blir dannet, og når den er klar, drei knottene med klokka for å støte ut isbitene i isbeholderen.



- Løft isbeholderen litt og trekk ut isbeholderen for å gå tilgang til isbiltene.



Den manuelle ismaskinenheten kan tas ut av fryseren når isen ikke er nødvendig for å gi mer plass i fryseren.



Oppbevaring av mat

Oppbevaring av egg

Det anbefales å oppbevare egg ved en jevn temperatur for å beholde ferskheten, slik at det er best å oppbevare dem i kjøleskapet på midtre hylle.

HYLLER, BOKSER OG SKUFFER

Viktig informasjon om glasshyller og deksler:

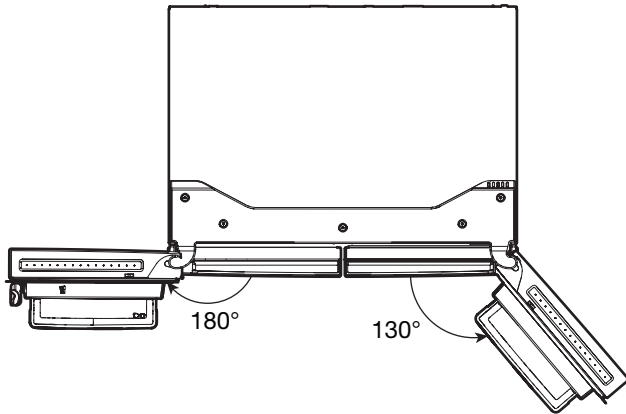
Ikke rengjør glasshyller eller deksler med varmt vann når de er kalde. Hyller og deksler kan knuses hvis de utsettes for plutselige temperaturendringer eller støt, slik som sammenstøt.

Temperert glass er designet til å knuses i mange små stykker på støtrelse av småsteiner. Dette er normalt. Glasshyller og deksler er tunge. Bruk begge hender når du flytter dem for å unngå å miste dem.

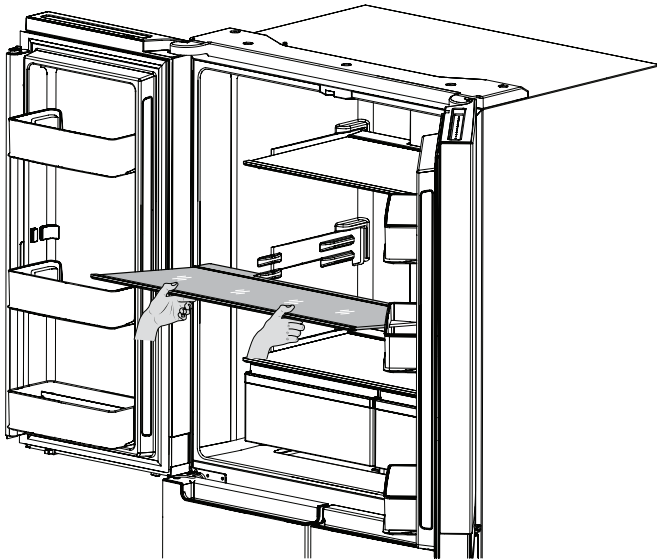
Justering av hyllehøyde

Hyllehøyden kan justeres ved å endre plassering fra nedre støtte til øvre støtte og omvendt.

- Åpne høyre sidedør så langt som mulig.
- Åpne venstre sidedør så langt som mulig og løft døren for å åpne 180°.



- Ta hyllen ut av kjøleskapet og plasser den på ønsket monteringsposisjon.



- Sørg for at hyllen er satt inn riktig på hyllemontasjene.

Hyller og hyllerammer

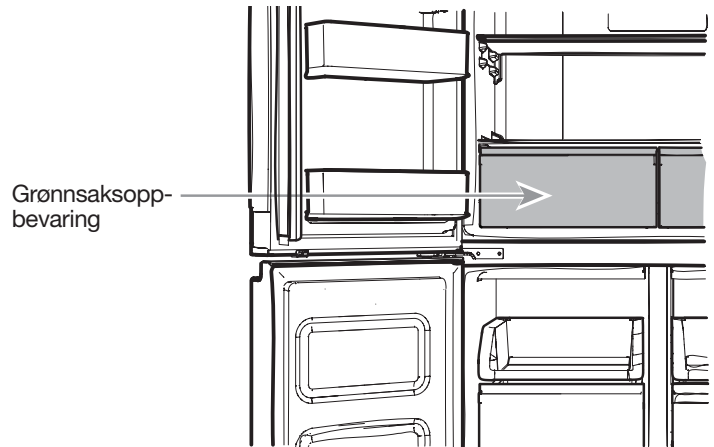
Hyllene i kjøleskapet kan justeres for å oppfylle dine individuelle oppbevaringsbehov.

Oppbevaring av lignende matvarer sammen i kjøleskapet og justere hyllene for å passe til gjenstander i ulike høyder vil gjøre det lettere å finne akkurat den varen du ønsker. Det vil også redusere mengden tid kjøleskapsdøren er åpen og spare energi.

Ta ut og sette på plass hyller:

1. Åpne høyre sidedør så langt som mulig og åpne venstre sidedør så langt som mulig og løft venstre dør for å åpne 180°.
2. Fjern den midterste hyllen eller topphyllen ved å løfte den opp og ut av hyllestøttene. Trekk deretter hyllen fremover og vipp den ned til vertikal posisjon. Vend hyllen i vinkel og trekk den ut av kjøleskapet.
3. Fjern hyllen ved å løfte den opp og ut av hyllestøttene. Trekk deretter hyllen fremover og vipp den opp til vertikal posisjon. Vend hyllen i vinkel og trekk den ut av kjøleskapet.
4. Sett på plass de midterste og øverste hyllene ved å legge hyllen i kjøleskapet i vinkel med hyllefronten ned. Løft fronten av hyllen opp og skyv den inn inntil bakre hylle faller inn i hyllestøttene. Senk fronten på hyllen og se til at hyllen er på plass.
5. Sett på plass bunnhyllen i kjøleskapet i vinkel med hyllen opp. Løft fronten av hyllen ned og skyv den inn inntil bakre hylle faller inn i hyllestøttene. Senk fronten på hyllen og se til at hyllen er på plass.

Grønnsaksskuffer

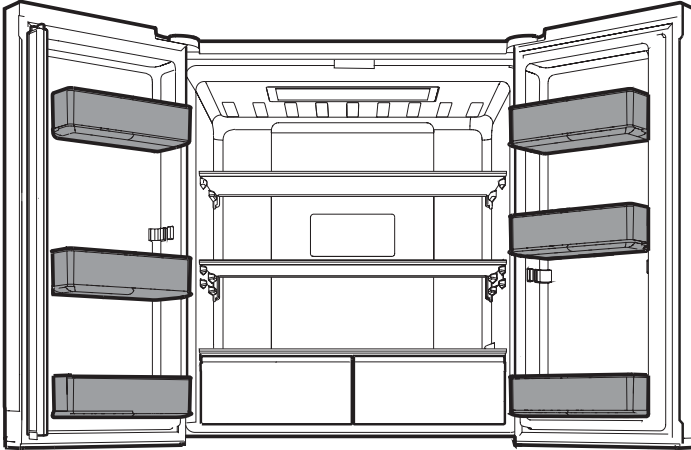


Fjerne og sette på plass grønnsaksskuffene:

1. Grip håndtaket på grønnsaksskuffen og skyv grønnsaksskuffen rett ut til stopp. Løft grønnsaksskuffen av bunnføringsen.
2. Sett på plass/plasser skuffen ved å sette den på bunnskuffeføringsen og skyve den forbi skuffstoppen til stilling.

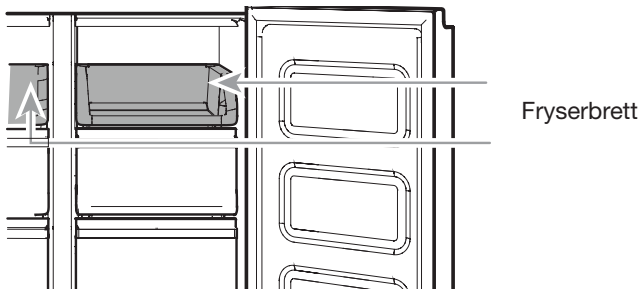
Kjøleskapbalkonger

Balkongen på kjøleskapets dør er justerbar for å oppfylle dine individuelle oppbevaringsbehov.



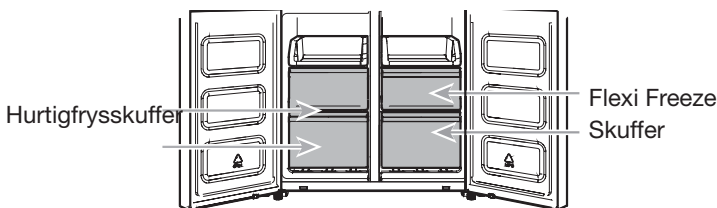
Fryserlagringsrom

Fryserbrett



Fryserbrettet er nyttig for å få enkel tilgang til hyppig brukte produkter, til å fryse eller ganske enkelt oppbevare matrester eller mindre artikler.

Fryserkuffer



Hurtigfrysingsdel

- Hurtigfrysings-skuffene gjør at du praktisk kan oppbevare artikler med stort volum.
- Hurtigfrysalternativet gjør at du praktisk kan lagre all maten på sikker og transparent måte.

MERK: Frysertemperaturen kan være nedkjølt til den samme temperaturen som Flexible Freezer-delen når fryseren er stilt inn varmere enn Flexible Freezer-delen.

Flexi Freeze-del (kun på WQ9 B1L, 6WM24NIHAS og WQ70900SXX)

Flexi Freeze-delen gjør at du kan velge ett av de tre frysertemperturnivåene: -7°C , -12°C og -18°C for å gi best mulige oppbevaringsforhold for ulike typer mat.

For maksimal fryserkapasitet kan du fjerne fryserkuffen for å eksponere fryserhyllen.

For å fjerne den øvre skuffen:

1. Grip håndtaket på skuffen og skyv skuffen rett ut til stopp. Løft skuffen av bunnføyningen.
2. Sett på plass/plasser skuffen ved å plassere den på bunnskuffeføyningen og skyve på plass det forbi skuffstoppen.

Fryserhylle (kun med WQ9 E1L og WQ9 B1L)

For maksimal fryserkapasitet kan du fjerne midtre skuff for å eksponere fryserhyllen som finnes under denne. Deretter kan du lagre den øvre skuffen og laste mat direkte oppå hyllen.

Lydreferanse

Tonetilordning

Tonenavn	Brukseksempler
Strøm på	Kjølesystem slås på hver gang produktet slås på.
Tastetrykk	Bruker trykker en gyldig knapp.
Ugyldig (feil)	Brukeren trykker to eller flere gyldige knapper samtidig. Nedtellingsavbrudd for trykk-og-hold-knapper.
Aktivere	Bekreftelse for å gå inn i en hvilken som helst modus.
Deaktivere	Bekreftelse for å ut av en modus.
Varsel	Alarm for dør på gløtt.

Denne tabellen er kun for hurtigreferanse. Se tilhørende avsnitt for detaljer. I tilfelle uoverensstemmelse, vil avsnittsdetaljer ha prioritet.

Tilbehør

For å bestille tilbehør ta kontakt med forhandleren som du kjøpte kjøleskapet fra.

Hjelp eller service

Før du ringer for hjelp eller service, sjekk avsnittet "Feilsøking". Da kan du kanskje spare deg kostnadene med å kontakte service. Hvis du fortsatt trenger hjelp, følg instruksjonene nedenfor.

Hvis du trenger reservedeler

For å finne de fabrikkspesifiserte reservedelene i ditt område ta kontakt med forhandleren som du kjøpte kjøleskapet fra.

Garanti

Ta kontakt med forhandleren som du kjøpte kjøleskapet fra for garantiinformasjon.

Oppbevar denne boken og salgskvitteringen sammen for fremtidig bruk. Du må fremlegge kjøpskvittering eller installasjonsdato for service innen garantien.

Skriv ned følgende informasjon om apparatet for å hjelpe deg til å få hjelp eller service hvis du noen gang skulle ha behov for det. Du må vite fullstendig modellnummer og serienummer. Du kan finne denne informasjonen på modell- og serienummermerket, som befinner seg på veggen inne i kjøleskapsrommet.

Forhandlerens navn _____

Serienummer _____

Adresse _____

Telefonnummer _____

Modellnummer _____

Kjøpsdato _____

PLEIE AV KJØLESKAPET

Rengjøring

⚠ ADVARSEL



Eksplisjonsfare

Bruk et ikke-antennelig rengjøringsmiddel.

Hvis dette ikke gjøres, kan det medføre død, eksplosjon eller brann.

Hele kjøleskapet, fryseren og Flexi Freeze-delene (kun på WQ9 B1L, 6WM24NIHAS og WQ70900SXX) avises automatisk. Men rengjør alle delene omtrent én gang i måneden for å unngå dannelse av lukter. Tørk opp eventuelt søl umiddelbart.

Utvendig rengjøring

Se den utvendige rengjøringsinformasjonen som er spesifikk for modellen.

Stil 1 – glatt dør

VIKTIG: Skade på den glatte finishen på grunn av feil bruk av rengjøringsprodukter eller bruk av ikke anbefalte rengjøringsprodukter er ikke dekket under garantien. Skarpe eller butte instrumenter vil markere finishen.

BRUK FØLGENDE	BRUK IKKE FØLGENDE
✓ Myk, ren klut	✗ Skurekluter ✗ Papirhåndklær eller avis ✗ Stålullputer
✓ Varmt såpevann med et mildt rengjøringsmiddel	✗ Skurepulver eller -væsker ✗ Vindusprayer ✗ Ammoniakk ✗ Syre- eller eddikbaserte rengjøringsmidler ✗ Ovnsrensere ✗ Antennelige væsker

MERK: Papirhåndklær riper opp og kan gjøre de klare belegget på den lakkerte døren matt. For å unngå mulig skade bruk kun myke, rene kluter til å polere og tørke av dørene.

Stil 2 – Rustfritt stål

VIKTIG:

- Bruk kun anbefalte rengjøringsmidler for rustfritt stål og kluter. Skade på den rustfrie stålfinishen på grunn av feil bruk av rengjøringsprodukter eller bruk av ikke anbefalte rengjøringsprodukter er ikke dekket under garantien.
- Unngå å eksponere rustrie stålapparater for kaustiske eller korrosive elementer som miljøer med høyt saltinnhold, høy fuktighet eller høy luftfuktighet. Skade på grunn av eksponering overfor disse elementene er ikke dekket under garantien.

BRUK FØLGENDE	BRUK IKKE FØLGENDE
✓ Myk, ren klut	✗ Skurekluter ✗ Papirhåndklær eller avis ✗ Stålullputer
✓ Varmt såpevann med et mildt rengjøringsmiddel	✗ Skurepulver eller -væsker ✗ Ammoniakk ✗ Sitrusbaserte rengjøringsmidler ✗ Syre- eller eddikbaserte rengjøringsmidler ✗ Ovnsrensere
✓ For kraftig smuss, bruk kun et rengjøringsmiddel som er beregnet på rustfritt stål for apparater. For å bestille rengjøringsmiddel ta kontakt med forhandleren som du kjøpte kjøleskapet fra.	✗ Rengjøringsmiddel for rustfritt stål er kun for deler av rustfritt stål. Ikke la rengjøringsmidler for rustfritt stål og poleringsmiddel komme i kontakt med plastdeler som listestykker, dispenserlokk eller dørpakninger.

Stil 3 – Fingeravtrykksresistent rustfritt stål

VIKTIG:

- Unngå å eksponere rustrie stålapparater for kaustiske eller korrosive elementer som miljøer med høyt saltinnhold, høy fuktighet eller høy luftfuktighet. Skade på grunn av eksponering overfor disse elementene er ikke dekket under garantien.

BRUK FØLGENDE	BRUK IKKE FØLGENDE
✓ Myk, ren klut	✗ Skurekluter ✗ Papirhåndklær eller avis ✗ Stålullputer
✓ Varmt såpevann med et mildt rengjøringsmiddel	✗ Skurepulver eller -væsker ✗ Vindusprayer ✗ Ammoniakk ✗ Syre- eller eddikbaserte rengjøringsmidler ✗ Ovnsrensere ✗ Antennelige væsker

MERKNADER:

- Hvis det oppstår utilsiktet kontakt, rengjør plastdelen med en svamp og mildt rengjøringsmiddel i varmt vann. Tørk grundig med en myk klut.
- Bare på grunn av at et rengjøringsmiddel er flytende, betyr det ikke at det ikke er skurende. Mange flytende rengjøringsmidler er utformet til å være skånsomme på fliser og glatte overflater, men kan fortsatt skade rustfritt stål.
- Sitrusyre misfarger rustfritt stål permanent.
- For å unngå å skade finishen på kjøleskapet i rustfritt stål:

Ikke la disse stoffene bli værende på finishen:

- ✗ Sennep
- ✗ Tomatjuice
- ✗ Marinarasaus
- ✗ Sitrusbaserte sauser
- ✗ Sitrusbaserte produkter

Innvendig rengjøring

1. Trekk ut støpselet til kjøleskapet eller koble fra strømmen.
2. Håndvask, skyl og tørk avtakbare deler og innvendige overflater grundig. Bruk en ren svamp eller en myk klut og et mildt rengjøringsmiddel i varmt vann.

MERK: Ikke bruk skurende eller aggressive rengjøringsmidler som vindussprayer, skurende rengjøringsmidler, antenkelige væsker, rengjøringsvoks, konsentrerte rengjøringsmidler, blekemidler eller rensedmidler som inneholder bensinprodukter på plastdeler, interiør og dørføringer eller pakninger.

3. Koble til kjøleskapet eller koble til strømmen igjen.
-

Kondensator

Dette kjøleskapet har skallkondensator på begge sider av kjøleskapet. Det er normalt at det kjennes varmt ut på sidene.

Lys

Lysene i både kjøleskapet og fryseren er LED-er som ikke skal skiftes ut. Hvis lysene ikke tennes når døren åpnes, ta kontakt med forhandleren som du kjøpte kjøleskapet fra.

Pleie ved ferie og flytting

Ferier

Hvis du velger å la kjøleskapet være på når du er borte:

1. Bruk opp fordervelige matvarer og frys andre varer.
2. Hvis kjøleskapet har en automatisk ismaskin og er koblet til husholdningens vannforsyning, slå av vannforsyningen til kjøleskapet. Materielle skader kan oppstå hvis vannforsyningen ikke slås av.
3. Hvis du har en automatisk ismaskin, slå av ismaskinen.
 - Trykk bryteren til Av (O) for ismaskinen i døren.
4. Tøm isboksen.

Hvis du velger å slå av kjøleskapet før du drar:

MERK: Sett kjøleskapet i demomodus mens du er på ferie. Se avsnittet "Bruke kontrollene".

1. Fjern all mat fra kjøleskapet.
2. Hvis kjøleskapet har en automatisk ismaskin:
 - Slå av vannforsyningen til ismaskinen minst 1 dag i forveien.
 - Når den siste lasten av is faller, trykk bryteren på Av (O) for at displayet skal være uopplyst på toppen inne i kjøleskapet, avhengig av modellen.
3. Tøm isboksen.
4. Slå av temperaturkontrollene. Se avsnittet "Bruke kontrollene".
5. Rengjør kjøleskapet, tørk det og tørk godt.
6. Tape gummi- eller treblokker til toppene på begge dører for å holde dem åpne tilstrekkelig for å få inn luft. Dette forhindrer lukt- og muggsoppdannelse.

Flytting

Når du flytter kjøleskapet til et nytt hjem, følg disse trinnene for å klargjøre det for forflytningen.

1. Hvis kjøleskapet har en automatisk ismaskin:
 - Slå av vannforsyningen til ismaskinen minst 1 dag i forveien.
 - Koble vannlinjen fra baksiden av kjøleskapet.
 - Når den siste lasten av is faller, trykk på bryteren for å slå Av (O) enten på ismaskinen eller kontrollen, avhengig av modellen.
2. Ta ut all mat fra kjøleskapet og pakk all frossen mat i tørris.
3. Tøm isboksen.
4. Koble fra kjøleskapet.
5. Rengjør, tørk av det og tørk grundig.
6. Ta ut alle avtakbare deler, pakk dem godt inn og tape dem sammen så de ikke beveger seg og skrangler under flyttingen.
7. Avhengig av modell, løft fronten på kjøleskapet så det ruller enklere, eller forhøy nivelleringskruene så de ikke skrapper opp gulvet. Se avsnittet "Juster dørene" eller "Innretting av kjøleskap og lukking av dør".
8. Tape dørene lukket og tape strømledningen til baksiden av kjøleskapet.

Når du kommer til det nye hjemmet, legg alt tilbake og se avsnittet "Installasjonsanvisninger" for klargjøringsanvisninger. Også, hvis kjøleskapet har en automatisk ismaskin, husk på å koble til vannforsyningen til kjøleskapet igjen.

FEILSØKING

Prøv først de løsningene som er foreslått her for å unngå å ringe service.

⚠ ADVARSEL



Fare for elektrisk støt

Sett støpselet i en jordet stikkontakt.

Du må aldri fjerne jordpinnen.

Adapter skal ikke brukes.

Skjøteledning skal ikke brukes.

Hvis disse anvisningene ikke følges, kan det medføre død, brann eller elektrisk støt.

Hvis du opplever	Mulige årsaker	Løsning
Bruk av kjøleskapet		
Kjøleskapet virker ikke.	Kontroller elektrisk tilkobling.	Koble strømledningen til et jordet uttak. Skjøteledning skal ikke brukes. Se til at det er strøm i uttaket. Plugg inn en lampe for å kontrollere at uttaket fungerer. Tilbakestill en utløst kretsbytter. Skift ut eventuelt utbrente sikringer. MERK: Hvis problemet vedvarer, ta kontakt med en elektriker.
	Sjekk kontrollene.	Se til at kontrollene er slått på. Se avsnittet "Bruke kontrollene".
	Ny installasjon.	La det gå 24 timer etter installeringen for at kjøleskapet skal kjøles ned helt. MERK: Justering av temperaturkontrollene til kaldeste innstilling vil ikke kjøle ned noen av kjølerommene hurtigere.
	Kjøleskapets kontroll er i demomodus (på noen modeller).	Hvis kjøleskapet er i demomodus, er kjølingen slått av, og "Demo" vil tennes på kontrollpanelet. Se avsnittet "Bruk av kontrollene" for mer informasjon.
Motoren ser ut til å kjøre for mye.	Høy effektivitets kompressor og vifter.	Større, mer effektive kjøleskap kjører lengre ved lavere, mer energieffektive hastigheter.
	Rom- eller utendørstemperaturen er varm.	Det er normalt at kjøleskapet arbeider lengre under disse forholdene. For optimal ytelse plasser kjøleskapet i et innendørs, temperaturkontrollert miljø. Se avsnittet "Krav til plassering".
	En stor mengde varm mat har nylig blitt lagt inn.	Varm mat vil gjøre at kjøleskapet går over lengre tid inntil luften kjøles ned til ønsket temperatur.
	Døren(e) er åpnet for hyppig eller for lenge.	Varm luft kommer inn i kjøleskapet gjør at kjøleskapet kjører over lang tid. Åpne døren mindre hyppig.
	Kjøleskapsdøren eller fryserskuffen står på gløtt.	Se til at kjøleskapet er i vater. Se avsnittet "Innretting av kjøleskap og lukking av dør". Se til at mat og beholdere ikke blokkerer dørene.
	Kjøleskapskontrollen er stilt inn for kaldt.	Juster kjøleskapets kontroll til en mindre kald innstilling inntil kjøleskapstemperaturen er som ønsket.
	Dør- eller skuffpakningen er tilsmusset, slitt eller sprukket.	Rengjør eller bytt pakningen. Lekkasje i dørtetningen vil gjøre at kjøleskapet går over lengre tid for å opprettholde ønskede temperaturer.

FEILSØKING

Prøv først de løsningene som er foreslått her for å unngå å ringe service.

Hvis du opplever	Mulige årsaker	Løsning
Lysene virker ikke.	Kjøleskapet er utstyrt med LED-lys som ikke trenger å skiftes ut.	Hvis det er strøm til kjøleskapet og lysene ikke tennes når en dør eller skuff åpnes, ring etter service eller hjelp.
	Dørene har vært åpne i mer enn 10 minutter.	Lukk dørene og skuffen for å tilbakestille og åpne for å gjenoppta belyst oppgave.
	Dørbryteren merker ikke at døren blir åpnet.	Se til at det ikke finnes noen magneter eller noen elektroniske enheter innenfor 7,62 cm (3") for hengsellokket.
Temperaturkontrollgrensesnittet kommer ikke på.	Temperaturkontrollgrensesnittet gikk over i hvilemodus.	Trykk på hvilken som helst knapp for å vekke opp temperaturkontrollgrensesnittet.
	Temperaturkontrollgrensesnittets knapper fungerer ikke så bra.	Prøv å slå kjøleskapet av og på slik at knappene tilbakestilles. Hvis problemet vedvarer, ring service eller hjelp.
	Temperaturkontrollgrensesnittet mottar ikke strøm.	Kontroller kablingsnettets på dørhengselen.
Kan ikke justere innstillingen på temperaturkontrollgrensesnittet.	Døren er åpen og alarmeren for dør på gløtt er aktivert.	Lukk døren.
Uvanlig lyd		
For å lytte til normale kjøleskapslyder gå til produkt hjelp/vanlige spørsmål på merkets nettsider og søk etter "normale lyder". Under er noen normale lyder opplistet med forklaringer.		
Kjøleskapet ser ut til å lage støy.	Kompressoren i det nye kjøleskapet regulerer temperaturen mer effektivt ved bruk av mindre energi, og driver stille.	På grunn av denne reduksjonen i driftsstøy kan du merke ukjente støyer som er normale.
Lyden av kompressoren som kjører lenger enn forventet.	Høy effektivitets kompressor og vifter.	Større, mer effektive kjøleskap kjører lengre ved lavere, mer energieffektive hastigheter.
Pulsering/during	Vifter/kompressor justerer for å optimalisere ytelse gjennom normal kompressordrift.	Dette er normalt.
Slaglyder	Sammentrekning/utvidelse av innvendige vegger, spesielt under innledende neckjøling.	Dette er normalt.
Hvesing/drypping	Strøm av kjølemiddel eller strøm av olje i kompressoren.	Dette er normalt.
Vibrasjon	Kjøleskapet er kanskje ikke stabilt.	Juster nivelleringssskruene og senk nivelleringsføttene fast mot gulvet. Se avsnittet "Innretting av kjøleskap og lukking av dør".
Surring	Vann drypper på varmeren under avisingsprosessen.	Dette er normalt.
Vann som renner / gurglelyder	Kan høres når is smelter under avisingsprosessen og vann renner ned i tømmepannen.	Dette er normalt.

FEILSØKING

Prøv først de løsningene som er foreslått her for å unngå å ringe service.

Hvis du opplever	Mulige årsaker	Løsning
Temperatur og fuktighet		
Temperaturen er for varm.	Kjøleskapet har akkurat blitt installert.	La det gå 24 timer etter installeringen for at kjøleskapet skal kjøles ned helt.
	Kontrollene er ikke stilt inn riktig for omgivende betingelser.	Justere kontrollene til en innstilling kjøligere. Sjekk temperaturen om 24 timer. Se avsnittet "Bruke kontrollene".
	Døren(e) er åpnet for hyppig eller ikke lukket helt. Gjør at varm luft kommer inn i kjøleskapet.	Minimer døråpningene og hold dørene helt lukket.
	En stor mengde mat har nylig blitt lagt inn.	La det gå flere timer for at kjøleskapet skal oppnå normal temperatur igjen.
	Demomodus er på.	Slå av demomodus. Se avsnittet "Bruke kontrollen".
	Feriemodus er på.	Slå av feriemodus. Se avsnittet "Bruke kontrollen".
Temperaturen er for kald i kjøleskapet/grønnsaksskuffen.	Kjøleskapets luftventil(er) er blokkert.	Hvis luftventilen som finnes i midten bak i kjøleskapsrommet er blokkert av gjenstander som er plassert rett foran denne, vil kjøleskapet blir for kaldt. Flytt gjenstander bort fra luftventilen.
	Kontrollene er ikke stilt inn riktig for omgivende betingelser.	Juster kontrollene til en varmere innstilling. Sjekk temperaturen om 24 timer. Se avsnittet "Bruke kontrollene".
Temperaturen er for kald i den temperaturkontrollerte skuffen.	Kontrollen er ikke stilt riktig for gjenstandene som er lagret i skuffen.	Juster temperaturinnstillingen. Se avsnittet "Bruke kontrollene" i "Bruk av kjøleskapet".
Det finnes fuktighetsdannelse på innsiden. MERK: Noen fuktighetsdannelse er normalt.	Rommet er fuktig.	Et fuktig miljø bidrar til fuktighetsdannelse.
	Døren(e) er åpnet for hyppig eller ikke lukket helt. Gjør at fuktig luft kommer inn i kjøleskapet.	Minimer døråpningene og lukk dørene helt.
	Døren(e) er blokkert i åpen tilstand.	Flytt matpakninger bort fra døren.
	En boks eller hylle er i veien.	Skyv boksen eller hyllen tilbake i riktig posisjon.
	Oppbevaring av væske i åpne beholdere.	Dette tilfører fuktighet til kjøleskapets innside. Oppbevar alle beholderne godt tildekket.
Det finnes frost/isdannelse i fryseren.	Døren er åpnet ofte eller har stått åpen.	Minimer døråpningene og lukk skuffen helt etter bruk.
	Døren har dårlig dørtetning.	Se til at dørtetningene har fullstendig kontakt med kjøleskapet for å gjøre det mulig med en tilstrekkelig tetning.
	Temperaturkontrollene er ikke stilt riktig.	Se avsnittet "Bruk av kontrollene" for anbefalte temperaturinnstillinger.

FEILSØKING

Prøv først de løsningene som er foreslått her for å unngå å ringe service.

⚠ ADVARSEL

Eksplosjonsfare Bruk et ikke-antennelig rengjøringsmiddel. Hvis dette ikke gjøres, kan det medføre død, eksplosjon eller brann.

For å vise en animasjon om hvordan du justerer og innretter dørene se produkthjelp/vanlige spørsmål på merkets nettsider og søk etter "Lukking av dør og dørinnretting".

Hvis du opplever	Mulige årsaker	Løsning
Dører		
Dørene lukkes ikke helt.	Døren er blokkert i åpen tilstand.	Flytt matpakninger bort fra døren.
	En boks eller hylle er i veien.	Skyv boksen eller hyllen tilbake i riktig posisjon.
	Nylig installert	Fjern alle pakningsmaterialer.
Dørene er vanskelige å åpne.	Dørpakningen er tilsmussede eller klebrige.	Rengjør pakningene og kontaktflatene med mild såpe og varmt vann. Skyll og tørk med myk klut.
Dørene ser ut til å være ute av vater.	Dørene må innrettes eller kjøleskapet må stilles i vater.	Hvis du har behov for å innrette døren, ring etter service.
Kjøleskapet er ustabilt eller ruller fremover ved åpning eller lukking av dørene.	Kjøleskapets bremseføtter er ikke tett mot gulvet.	Skru begge bremseføttene (én på hver side) mot klokka, samme mengde, inntil de er tett mot gulvet. Se avsnittet "Innretting av kjøleskap og lukking av dør".

Índice

SEGURANÇA DO FRIGIRÍFICO	273
Eliminação adequada do seu frigorífico antigo	276
PEÇAS E FUNCIONALIDADES	277
INSTRUÇÕES DE INSTALAÇÃO	278
Iniciar	278
Desembalar o frigorífico.....	278
Requisitos de localização	279
Requisitos elétricos.....	279
Retirar e voltar a colocar as portas do frigorífico	281
Retirar e voltar a colocar a porta do congelador/congelação flexível.....	283
Nivelar o frigorífico	284
Utilizar os controlos	285
Acender o frigorífico.....	286
UTILIZAÇÃO DO FRIGORÍFICO.....	287
Abrir e fechar as portas	287
Armazenamento de alimentos.....	287
PRATELEIRAS, COMPARTIMENTOS E GAVETAS.....	288
Compartimentos de armazenamento do congelador	289
Referência áudio	289
Acessórios.....	289
Assistência ou serviço	289
MANUTENÇÃO DO FRIGORÍFICO	290
Limpeza.....	290
Luzes	291
Cuidados em férias e em mudança	291
RESOLUÇÃO DE PROBLEMAS	292

SEGURANÇA DO FRIGIRÍFICO

A sua segurança e a dos outros é muito importante.

Fornecemos muitas mensagens de segurança importantes neste manual e no aparelho. Leia e cumpra todas as mensagens de segurança.



Este é o símbolo de perigo.

Este símbolo alerta-o para potenciais perigos que podem causar a morte ou ferimentos a si ou a terceiros.

Todas as mensagens de segurança são precedidas pelo símbolo de perigo e a palavra "PERIGO" ou "AVISO".

Estas palavras significam:

⚠ PERIGO

Se não seguir imediatamente estas instruções poderá morrer ou sofrer ferimentos graves.

⚠ AVISO

Se não seguir estas instruções poderá morrer ou sofrer ferimentos graves.

Todas as mensagens de segurança dizem-lhe qual é o potencial perigo, dizem-lhe como reduzir a hipótese de ocorrência de lesões e o que pode acontecer se as instruções não forem respeitadas.

INSTRUÇÕES DE SEGURANÇA

Antes de utilizar o aparelho, leia estas instruções de segurança. Mantenha-as junto do aparelho para uma futura referência. Estas instruções e o próprio aparelho incluem avisos de segurança importantes, os quais deverá cumprir em todas as situações. O fabricante declina qualquer responsabilidade por danos causados pela inobservância destas instruções de segurança, pela utilização inadequada do aparelho ou pela definição errada dos controlos.

⚠ As crianças muito pequenas (0-3 anos) devem ser mantidas afastadas do aparelho. As crianças pequenas (3-8 anos) devem ser mantidas afastadas do aparelho, a menos que estejam sob supervisão permanente. Este aparelho pode ser utilizado por crianças a partir dos 8 anos de idade e por pessoas com capacidades físicas, sensoriais ou mentais reduzidas ou com pouca experiência ou conhecimentos desde que tenham supervisão ou tenham recebido instruções relativas à utilização do aparelho de forma segura e compreendam os riscos inerentes. Não deixe as crianças brincarem com o aparelho. Os procedimentos de limpeza e de manutenção por parte do utilizador não devem ser feitos por crianças sem supervisão.

UTILIZAÇÃO PERMITIDA

⚠ CUIDADO: O aparelho não se destina a ser operado através de um comutador externo, como um temporizador ou um sistema de comando à distância individual.

⚠ Este aparelho destina-se a ser utilizado em aplicações domésticas ou semelhantes, como: áreas de cozinha de locais de trabalho em lojas, escritórios; quintas; por clientes de hotéis, motéis, hospedarias e restantes ambientes residenciais.

⚠ Este aparelho não se destina à utilização profissional. Não utilize o aparelho no exterior.

⚠ O aparelho foi concebido para funcionar em ambientes com uma temperatura ambiente compreendida entre os seguintes intervalos, de acordo com a classe climática indicada na chapa de características. O aparelho pode não funcionar corretamente se for deixado durante um longo período de tempo a uma temperatura fora do intervalo especificado.

T. amb. classe climática (°C)

SN: De 10 a 32 °C; N: De 16 a 32 °C

ST: De 16 a 38 °C; T: De 16 a 43 °C

⚠ Este aparelho não contém CFCs. O circuito refrigerante contém R600a (HC). Aparelhos com isobutano (R600a): o isobutano é um gás natural sem impacto ambiental, mas é inflamável. Assim sendo, certifique-se de que os tubos do circuito de refrigerante não são danificados, especialmente quando esvaziar o circuito de refrigerante.

⚠ AVISO: Não danifique os tubos do circuito de refrigerante.

⚠ AVISO: Mantenha as aberturas de ventilação, na caixa do aparelho ou na estrutura de encastra, livres de obstruções.

IMPORTANTE PARA SER LIDO E OBSERVADO

⚠ AVISO: Não utilize meios mecânicos, elétricos ou químicos para acelerar o processo de descongelação, para além dos recomendados pelo fabricante.

⚠ AVISO: Não utilize nem introduza aparelhos elétricos no interior dos compartimentos do aparelho se estes não forem do tipo expressamente autorizado pelo fabricante.

⚠ AVISO: Os geradores de gelo e/ou dispensadores de água, que não estão ligados diretamente à alimentação de água, têm de ser enchidos apenas com água potável.

⚠ AVISO: Os geradores de gelo e/ou dispensadores de água automáticos têm de ser ligados a uma alimentação de água que forneça apenas água potável, com uma pressão da rede hídrica entre 0,17 e 0,81 MPa (1,7 e 8,1 bar).

⚠ Não guarde substâncias explosivas tais como latas de aerossóis com um propulsor inflamável neste aparelho.

⚠ Não ingira o conteúdo (não-tóxico) dos acumuladores de gelo (fornecidos com alguns modelos). Não coma cubos de gelo ou gelados imediatamente depois de os retirar do congelador, pois podem causar queimaduras de frio.

⚠ Para os produtos concebidos para utilizar um filtro de ar dentro de uma tampa de ventoinha acessível, o filtro tem de estar sempre colocado quando o frigorífico estiver a funcionar.

⚠ Não guarde recipientes de vidro com líquidos no compartimento do congelador, pois poderão quebrar. Não obstrua a ventoinha (se existente) com alimentos. Depois de colocar os alimentos, verifique se as portas dos compartimentos fecham bem, especialmente a porta do congelador.

⚠ Se as juntas estiverem danificadas, têm de ser substituídas assim que possível.

⚠ Utilize o compartimento do frigorífico apenas para a conservação de alimentos frescos e o compartimento do congelador apenas para a conservação de alimentos congelados, para a congelação de alimentos frescos e a produção de cubos de gelo.

⚠ Evite guardar alimentos não embrulhados em contacto direto com as superfícies internas dos compartimentos frigorífico ou congelador. Os aparelhos podem ter compartimentos especiais (compartimento para alimentos frescos, caixa zero graus, etc.). Salvo especificação em contrário no folheto específico do produto, estes podem ser retirados, mantendo desempenhos equivalentes.

INSTALAÇÃO

⚠ A movimentação e a instalação do aparelho devem ser efetuadas por duas ou mais pessoas - risco de ferimentos. Utilize luvas de proteção para o desembalamento e a instalação - risco de cortes.

⚠ A instalação, incluindo a alimentação de água (se necessário) e ligações elétricas, e as reparações devem ser realizadas por um técnico qualificado. Não repare nem substitua nenhuma peça do aparelho salvo indicação específica no manual de utilização. Mantenha as crianças afastadas do local de instalação.

Depois de desembalar o aparelho, certifique-se de que este não foi danificado durante o transporte. Caso surjam problemas, contacte o revendedor ou o Serviço Pós-Venda mais próximo. Quando instalado, os resíduos de embalagem (plástico, peças de esferovite, etc.) têm de ser guardados fora do alcance das crianças - risco de asfixia. O aparelho tem de ser desligado da alimentação de corrente antes de qualquer trabalho de instalação - risco de choque elétrico. Durante a instalação, certifique-se de que o aparelho não danifica o cabo de alimentação - risco de incêndio ou choque elétrico. Ative o aparelho apenas quando a instalação estiver concluída.

⚠ Ao deslocar o aparelho, seja cuidadoso para evitar danificar o chão (por ex. parquet). Instale o aparelho num pavimento ou suporte capaz de sustentar o peso e num ambiente adequado às suas dimensões e à sua utilização. Certifique-se de que o aparelho não está perto de uma fonte de calor e de que os quatro pés estão estáveis e assentes no chão, ajustando-os conforme necessário, e verifique se o aparelho está perfeitamente nivelado utilizando um nível de bolha de ar. Aguarde pelo menos duas horas antes de ligar o aparelho, para garantir que o circuito de refrigeração está totalmente eficiente.

⚠ Deixe um espaço dos dois lados e por cima do aparelho para garantir uma ventilação adequada. A distância entre a traseira do aparelho e a parede atrás do aparelho deve ser de 50mm para evitar o acesso a superfícies quentes. Uma redução deste espaço aumenta o consumo de energia do produto.

⚠ AVISO: Para evitar a ocorrência de perigos devido à instabilidade, o aparelho deve ser posicionado ou fixado de acordo com as instruções do fabricante. É proibido colocar o frigorífico de forma a que a mangueira de metal do gás do forno, os tubos de metal do gás ou da água ou os fios elétricos fiquem em contacto com a parede traseira do frigorífico (bobina do condensador).

⚠ É necessário substituir as portas, entre em contacto com o centro de assistência técnica.

AVISOS DE ELETRICIDADE

⚠ A desativação da alimentação elétrica deve ser possível retirando a ficha da tomada, sendo esta acessível, ou através de um interruptor multipolar, colocado a montante da tomada, em conformidade com os regulamentos de instalação elétrica e o aparelho tem de estar ligado à terra de acordo com as normas de segurança elétrica nacionais.

⚠ Não utilize cabos de extensão, tomadas múltiplas ou adaptadores. Os componentes elétricos não poderão ficar acessíveis ao utilizador após a instalação. Não utilize o aparelho se estiver molhado ou descalço. Não ligue o aparelho se este possuir um cabo ou uma tomada elétrica danificada, se não estiver a funcionar corretamente, se estiver danificado ou se tiver sofrido uma queda.

⚠ Se o cabo de alimentação estiver danificado, tem de ser substituído por um idêntico pelo fabricante, seu agente de assistência ou pessoal com qualificações semelhantes para evitar um perigo - risco de choque elétrico.

⚠ AVISO: Quando posicionar o aparelho, certifique-se de que o cabo de alimentação não está preso ou danificado.

⚠ AVISO: Não coloque várias tomadas portáteis ou fontes de alimentação portáteis na traseira do aparelho.

LIMPEZA E MANUTENÇÃO

⚠ AVISO: Certifique-se de que o aparelho está desligado e desconectado da alimentação de corrente antes de realizar qualquer operação de manutenção; nunca utilize equipamento de limpeza a vapor - risco de choque elétrico.

⚠ Não utilize produtos de limpeza abrasivos ou agressivos, como spays limpa-vidros, esfregões, líquidos inflamáveis, ceras de limpeza, detergentes concentrados, lixívia ou detergentes que contenham derivados do petróleo, em peças plásticas, revestimentos interiores ou de portas ou juntas. Não utilize toalhetes de papel, esfregões abrasivos ou outros instrumentos de limpeza agressivos.


ELIMINAÇÃO DOS MATERIAIS DA EMBALAGEM

O material de embalagem pode ser reciclado a 100% tal como confirmado pelo símbolo de reciclagem ♻.

Assim sendo, as várias partes da embalagem devem ser eliminadas de forma responsável e em conformidade com as normas estabelecidas pelas autoridades locais.

ELIMINAÇÃO DE ELETRODOMÉSTICOS

Este aparelho é fabricado com materiais recicláveis ou reutilizáveis. Elimine-o de acordo com os regulamentos locais relativos à eliminação de resíduos. Para obter mais informações sobre o tratamento, recuperação e reciclagem de eletrodomésticos, contacte as autoridades locais, o serviço de recolhas de resíduos domésticos ou a loja onde adquiriu o aparelho. Este aparelho encontra-se marcado em conformidade com a Diretiva Europeia 2012/19/UE, Resíduos de Equipamentos Elétricos e Eletrónicos (REEE). Ao garantir uma eliminação correta do produto, evitará consequências negativas para o meio ambiente e para a saúde pública.

O símbolo  no produto ou na documentação que o acompanha, indica que este produto não deve ser tratado como resíduo doméstico, mas deve ser entregue num centro de recolha adequado para a reciclagem de equipamento elétrico e eletrónico.

DICAS DE POUPANÇA DE ENERGIA

Instale o aparelho num local seco e bem ventilado, afastado de qualquer fonte de calor (p. ex. radiador, fogão, etc.) e da exposição direta do sol. Se necessário, utilize uma placa de isolamento.

Siga as instruções de instalação para garantir uma ventilação adequada. Uma ventilação insuficiente na traseira do aparelho aumenta o consumo de energia e reduz a eficiência de refrigeração.

A abertura frequente da porta pode resultar num aumento no consumo de energia. A temperatura interna do aparelho e o consumo de energia podem ser afetados também pela temperatura ambiente e da localização do aparelho. A regulação da temperatura deve ter estes fatores em consideração.

Reduza a abertura da porta ao mínimo.

Quando descongelar alimentos congelados, coloque-os no frigorífico. A temperatura baixa dos produtos congelados arrefece os alimentos no frigorífico. Aguarde que alimentos e bebidas quentes arrefeçam antes de os colocar no aparelho.

O posicionamento das prateleiras no frigorífico não tem qualquer impacto na utilização eficiente da energia. Os alimentos devem ser colocados nas prateleiras de forma a garantir uma circulação de ar adequada (os alimentos não devem tocar uns nos outros e deve ser mantida alguma distância entre os alimentos e a parede traseira).

Pode aumentar a capacidade de armazenamento de alimentos congelados retirando os cestos e, se existente, a prateleira Stop Frost.

Não se preocupe com os ruídos produzidos pelo compressor, estes são ruídos normais, conforme descrito no Guia rápido deste produto.



Eliminação adequada do seu frigorífico antigo

⚠ AVISO

Perigo de asfixia

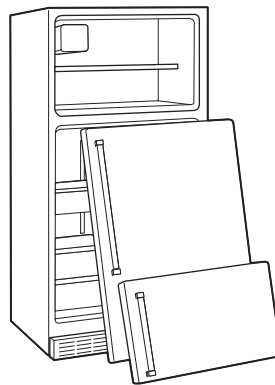
Retire as portas do seu frigorífico antigo.

Não seguir esta instrução pode resultar em morte ou lesões cerebrais.

IMPORTANTE: O apesamento de crianças e a asfixia não são problemas do passado. Os frigoríficos desmantelados ou abandonados ainda são perigosos, mesmo que fiquem durante “apenas alguns dias”. Se estiver a desfazer-se do seu frigorífico antigo, siga estas instruções para ajudar a evitar acidentes.

Antes de se desfazer do seu frigorífico ou congelador antigo:

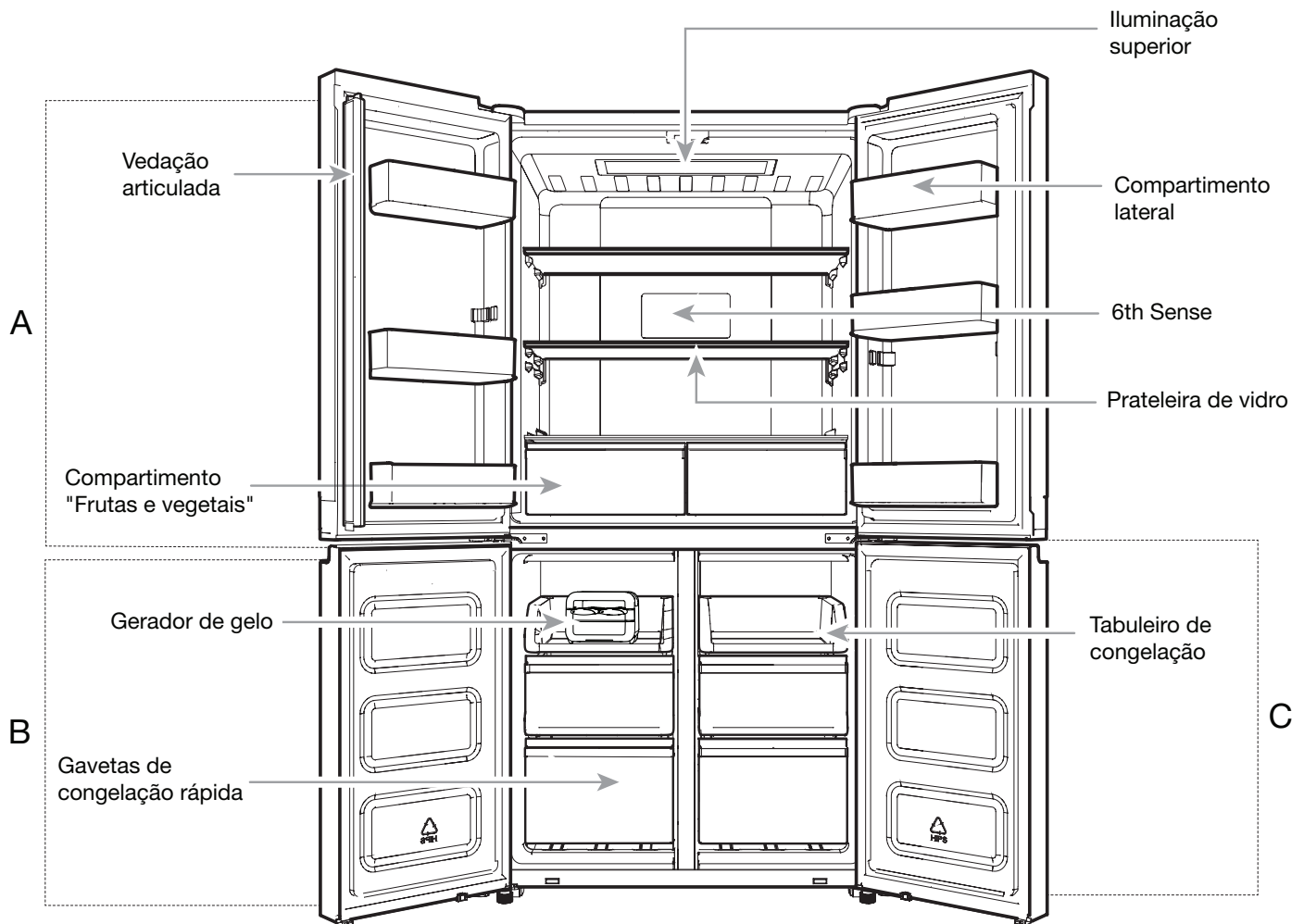
- Retire as portas.
- Deixe as prateleiras no lugar para que não seja fácil para as crianças treparem para dentro do frigorífico.



Informação importante sobre como eliminar os refrigerantes:

Elimine o refrigerante de acordo com os regulamentos federais e locais. Os refrigerantes têm de ser removidos por um técnico de refrigerantes com licença, de acordo com procedimentos estabelecidos.

PEÇAS E FUNCIONALIDADES



- A . Frigorífico
- B . Congelador
- C . Congelação flexível (apenas com WQ9 B1L, 6WM24NIHAS e WQ70900SXX)

INSTRUÇÕES DE INSTALAÇÃO

Iniciar

LISTA DE VERIFICAÇÃO DE INSTALAÇÃO

✓ Corrente elétrica

⚠ AVISO



Perigo de choque elétrico

Ligue a uma tomada ligada à terra.

Não retire o pino de terra.

Não utilize um adaptador.

Não utilize extensões.

O não cumprimento destas instruções pode resultar em morte, incêndio ou choque elétrico.

■ Ligue o frigorífico a uma tomada ligada à terra.

✓ Portas

■ Se for necessário retirar as portas durante a instalação, consulte as secções “Retirar e voltar a colocar as portas do frigorífico” e “Retirar e voltar a colocar os painéis frontais das portas do congelador”.

■ As portas selam completamente.

■ O frigorífico está nivelado. Ajuste os pés de nivelamento para que assentem bem no chão.

■ As portas estão niveladas no topo. (Use a função de alinhamento das portas, se necessário).

✓ Verificações finais

■ Remova todo o material de transporte.

■ Defina os controlos de temperatura para a regulação recomendada.

■ Guarde as instruções e outra literatura.

■ Para receber uma assistência mais completa, registre o seu produto em www.whirlpool.eu/register.

Desembalar o frigorífico

⚠ AVISO

Perigo de peso excessivo

Utilize duas ou mais pessoas para deslocar e instalar o frigorífico.

Não seguir esta instrução pode resultar em lesões nas costas ou outros ferimentos.

Entrega do frigorífico

É necessária uma abertura mínima da porta de 838 mm (33"). Se a abertura da porta for de 914 mm (36") ou menos, é necessário retirar as portas, a gaveta e as dobradiças.

Transporte o frigorífico de lado para todas as aberturas de porta.

Quando deslocar o frigorífico:

O frigorífico é pesado. Quando deslocar o frigorífico para limpar ou fazer a manutenção, certifique-se de que cobre o chão com um cartão ou uma placa cartão duro para evitar danificar o chão. Puxe sempre o frigorífico a direito quando o deslocar. Não o agite nem o desloque alternadamente de cada lado quando o tentar deslocar, pois pode danificar o chão.

Remover a embalagem

■ Remova a fita e os resíduos de cola das superfícies antes de ligar o frigorífico. Esfregue um pouco de detergente da loiça líquido sobre o adesivo com os seus dedos. Limpe com água quente e seque.

■ Não utilize instrumentos afiados, álcool, líquidos inflamáveis ou produtos de limpeza abrasivos para remover a fita ou a cola. Estes produtos podem danificar a superfície do seu frigorífico.

■ Elimine/recicle todos os materiais da embalagem.

Limpar antes de utilizar

Depois de remover todos os materiais da embalagem, limpe o interior do frigorífico antes de o utilizar. Consulte as instruções de limpeza na secção “Manutenção do frigorífico”.

Informação importante sobre prateleiras e coberturas de vidro:

Não limpe as prateleiras ou coberturas de vidro com água morna quando estiverem frias. As prateleiras e as coberturas podem partir se expostas a mudanças repentinas de temperatura ou a impacto, como choque.

O vidro temperado foi concebido para se estilhaçar em muitos pedaços minúsculos. Isto é normal. As prateleiras e coberturas de vidro são pesadas. Use as duas mãos para as retirar para evitar deixá-las cair.

Requisitos de localização

⚠ AVISO



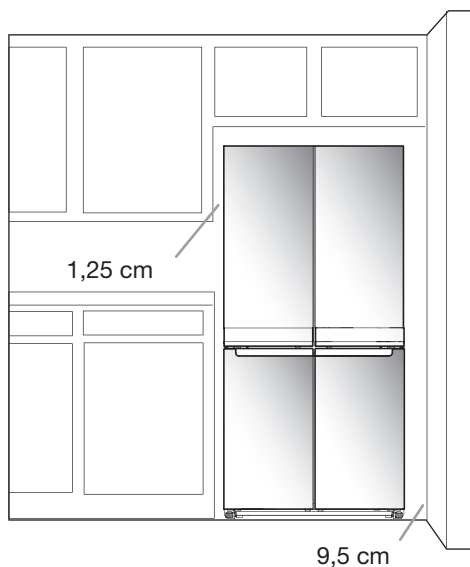
Perigo de explosão

Mantenha materiais e vapores inflamáveis, como gasolina, afastados do frigorífico.

O incumprimento pode resultar em morte, explosão ou morte.

Para garantir a ventilação adequada do seu frigorífico, deixe um espaço de 1,25 cm de cada lado e em cima. Deixe um espaço de 5 cm por trás do frigorífico. Se o seu frigorífico tiver um gerador de gelo, deixe um espaço extra na traseira para as ligações da água. Quando instalar o frigorífico junto a uma parede fixa, deixe um espaço mínimo de 9,5 cm entre o frigorífico e a parede para permitir a abertura da porta.

NOTA: Este frigorífico destina-se a ser utilizado num local com um intervalo de temperaturas entre um mínimo de 10°C e um máximo de 43°C. A temperatura preferida para o desempenho ideal, que reduz o consumo de eletricidade e proporciona uma refrigeração superior, situa-se entre os 15°C e os 32°C. É recomendado não instalar o frigorífico junto a uma fonte de calor, como um forno ou radiador.



Requisitos elétricos

⚠ AVISO



Perigo de choque elétrico

Ligue a uma tomada ligada à terra.

Não retire o pino de terra.

Não utilize um adaptador.

Não utilize extensões.

O não cumprimento destas instruções pode resultar em morte, incêndio ou choque elétrico.

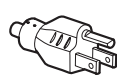
IMPORTANTE: A instalação e a ligação elétrica devem ser efetuadas por um técnico qualificado, em conformidade com as instruções do fabricante e com as normas de segurança locais.

- O frigorífico foi concebido para funcionar num circuito separado de 220-240 V, 10 A, 50/60 Hz.
- Certifique-se de que a tensão especificada na chapa de características corresponde à tensão da sua casa.
- Deve ser possível desligar o aparelho da alimentação elétrica, desligando a ficha da tomada ou através de um interruptor principal de dois polos, instalado a montante da tomada.
- Se o cabo de alimentação estiver danificado, tem de ser substituído pelo fabricante, seu agente de assistência ou pessoal com qualificações semelhantes para evitar um perigo.

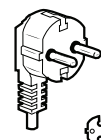
Antes de deslocar o frigorífico para a sua localização final, é importante certificar-se de que tem a ligação elétrica adequada:

Método de ligação à terra recomendado

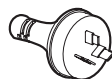
É necessário uma alimentação de corrente ligada à terra de 220-240 V 50 Hz, 220 V 60 Hz ou 230/240 V 50 Hz, apenas AC protegida por fusível de 10 A.



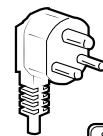
Tipo B



Tipo E e F



Tipo I



Tipo M



Tipo G

Para Austrália e Nova Zelândia:

O seu novo aparelho foi especialmente fabricado para cumprir todas as normas e condições australianas.

Algumas notações nas instruções de instalação podem referir-se aos requisitos elétricos noutros países, assim, chamamos a sua especial atenção para estas notas específicas.

O aparelho tem de ser ligado a uma tomada ligada à terra de 230/240 V 50 Hz, apenas AC, protegida por fusível de 10 A.

Requisitos elétricos (apenas Grã-Bretanha e Irlanda)

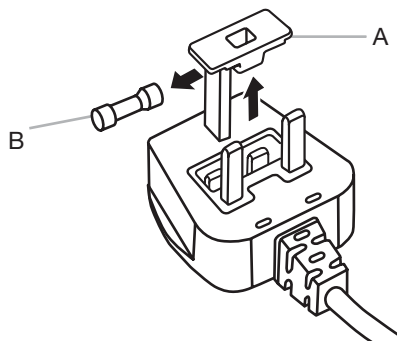
IMPORTANTE: Este frigorífico tem de ser ligado à terra.

Substituição do fusível

Se o cabo de alimentação deste frigorífico estiver equipado com uma ficha com fusível de 13 A, BS1363A, para substituir o fusível neste tipo de fichas, utilize um fusível aprovado pela A.S.T.A. para o tipo BS 1362 e proceda da seguinte forma:

1. Retire a cobertura do fusível (A) e o fusível (B).
2. Instale um fusível de 13 A de substituição na cobertura do fusível.
3. Volte a inserir o fusível e a respetiva cobertura na ficha.

IMPORTANTE: A cobertura do fusível tem de ser reinstalada substituir um fusível. Se a cobertura for perdida, a ficha não pode ser utilizada até ser instalada uma cobertura de substituição adequada. Uma substituição correta é identificada pelo inserto colorido ou a “palavra” da cor gravada na base da ficha. As coberturas de fusível de substituição estão disponíveis na sua loja de produtos elétricos local.



A. Tampa do fusível

B. Fusível

Para a República da Irlanda (apenas):

A informação dada para a Grã-Bretanha aplica-se frequentemente, mas também é usado um terceiro tipo de ficha e tomada, de 2 pinos, com ligação à terra lateral.

Tomada/ficha (válido para os dois países):

Se a ficha instalada não for adequada para a tomada, contacte o Serviço Pós-Venda para mais instruções. Não tente mudar a ficha sozinho. Este procedimento tem de ser realizado por um técnico qualificado em conformidade com as instruções do fabricante e as normas de segurança em vigor.

Temperatura

Este frigorífico foi concebido para funcionar em ambientes com uma temperatura compreendida entre os seguintes intervalos, de acordo com a classe climática indicada na chapa de características. O frigorífico pode não funcionar corretamente se for deixado durante um longo período de tempo a uma temperatura fora do intervalo especificado.

NOTA: É recomendado não instalar o frigorífico junto a uma fonte de calor, como um forno ou radiador.

Classe climática	Temp. amb. (°C)	Temp. amb. (°F)
SN	De 10 a 32	De 50 a 90
N	De 16 a 32	De 61 a 90
ST	De 16 a 38	De 61 a 100
T	De 16 a 43	De 61 a 110

Retirar e voltar a colocar as portas do frigorífico

NOTA: Meça a largura da abertura da porta para ver se necessita de retirar as portas do frigorífico para o colocar dentro de casa. Se for necessário retirar a porta, consulte as seguintes instruções.

IMPORTANTE: Se o frigorífico tiver sido instalado anteriormente e o estiver a retirar de casa, desligue o controlo do frigorífico antes de começar a retirar as portas. Desligue o frigorífico da tomada ou desligue a corrente elétrica. Retire os alimentos e a porta ajustável ou os compartimentos de arrumação das portas.

Reúna as ferramentas necessárias e leia todas as instruções antes de retirar as portas.

FERRAMENTAS NECESSÁRIAS: Chave de caixa de 6 mm, chave de caixa de 5 mm e chave Phillips n.º 2.

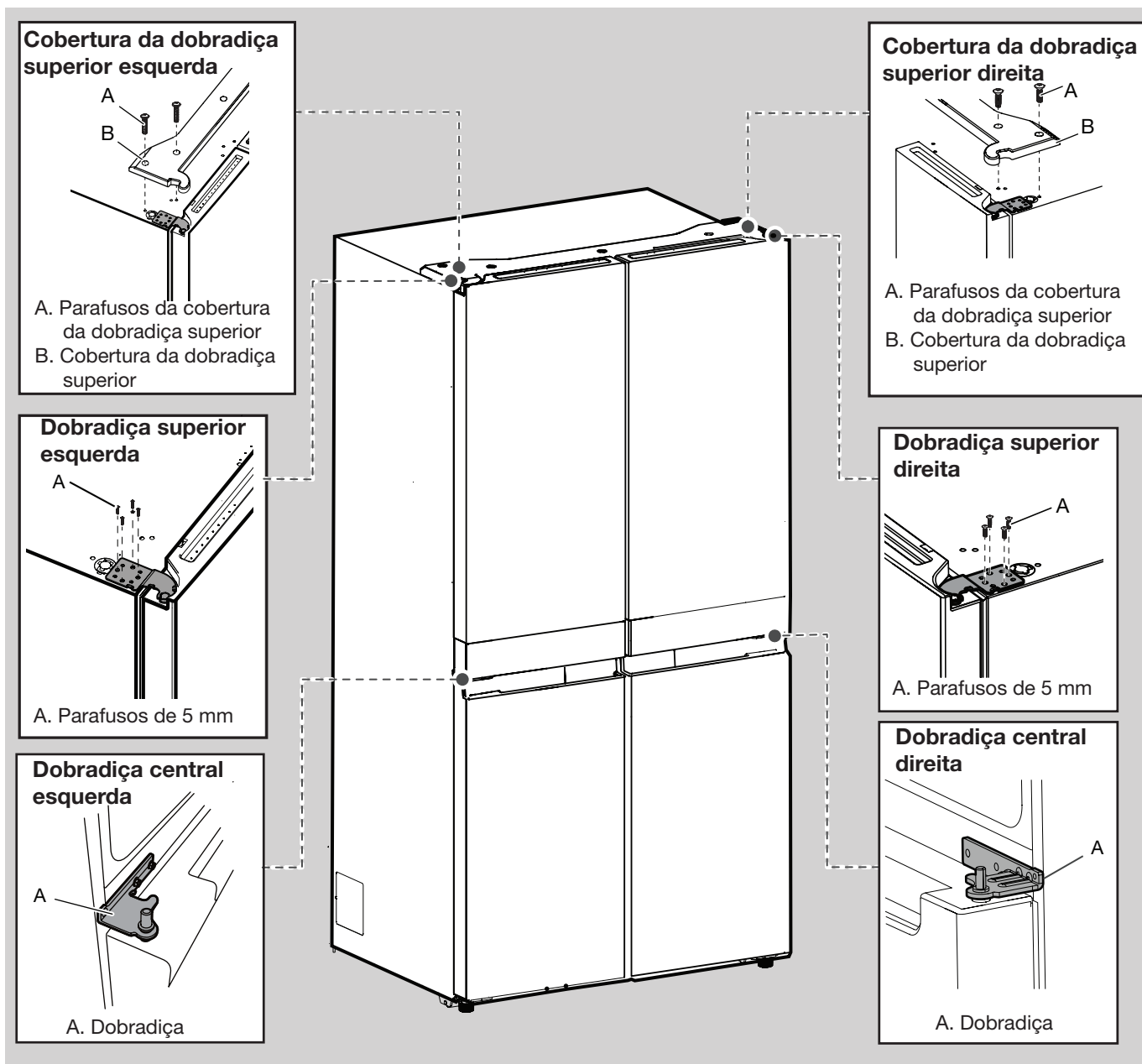


AVISO

Perigo de choque elétrico

Desligue da corrente antes de retirar as portas.

Não seguir esta instrução pode resultar em morte ou choque elétrico.



⚠ AVISO

Perigo de peso excessivo

Utilize duas ou mais pessoas para elevar a porta do frigorífico.

Não seguir esta instrução pode resultar em lesões nas costas ou outros ferimentos.

Retirar as portas do frigorífico

⚠ AVISO



Perigo de choque elétrico

Desligue da corrente antes de retirar as portas.

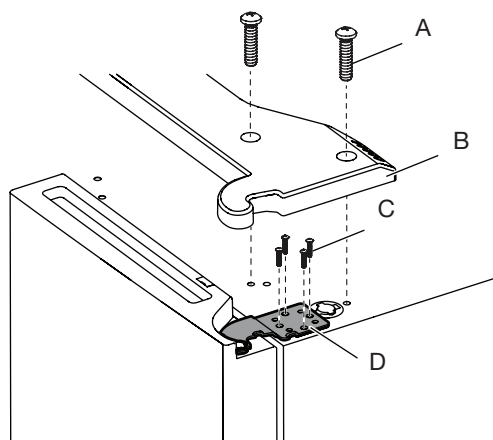
Não seguir esta instrução pode resultar em morte ou choque elétrico.

Retirar a porta do lado direito

1. Desligue o frigorífico da tomada ou desligue a corrente elétrica.
2. Mantenha as portas do frigorífico fechadas até estar pronto para as elevar livremente do armário.

NOTA: Proporcione um suporte adicional para a porta do frigorífico enquanto as dobradiças estiverem a ser retiradas. Não dependa nos ímanes das juntas da porta para segurarem a porta no lugar enquanto estiver a trabalhar.

3. Com uma chave Phillips retire a cobertura da dobradiça superior.
4. Com uma chave de caixa de 5 mm retire os quatro parafusos da dobradiça superior e coloque de lado.



A. Parafuso da cobertura da dobradiça superior
B. Cobertura da dobradiça superior

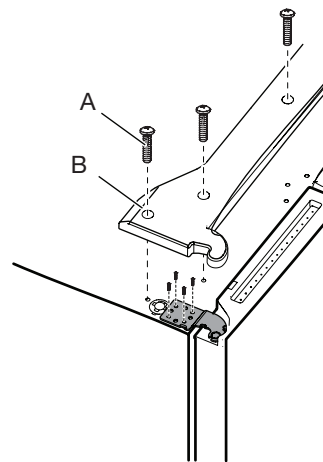
C. Parafusos de 5 mm
D. Dobradiça superior

5. Eleve a porta do frigorífico do pino da dobradiça central. A dobradiça superior sai com a porta.

Retirar a porta do lado esquerdo

IMPORTANTE: A cablagem para a UI passa pela dobradiça da porta do lado esquerdo, por isso, tem de ser desligada antes de retirar a porta.

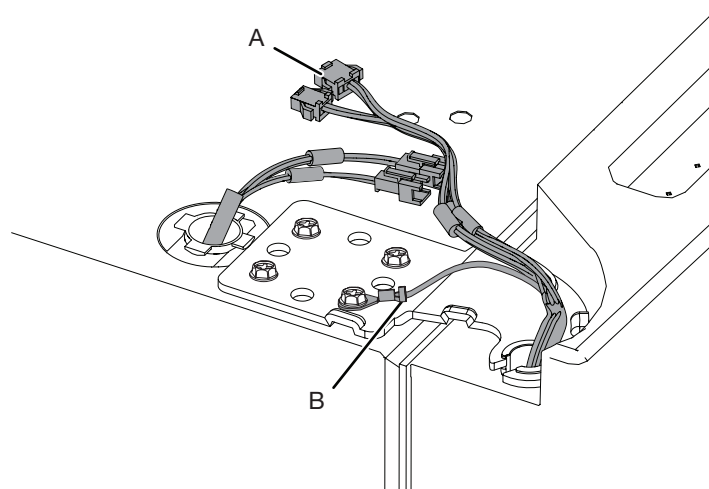
1. Com uma chave Phillips retire a cobertura da dobradiça superior.



A. Parafuso da cobertura da dobradiça superior
B. Cobertura da dobradiça superior

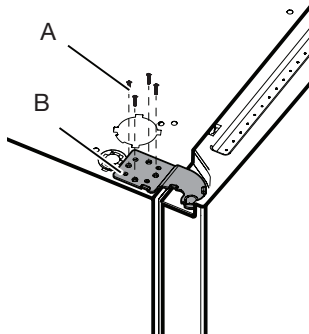
2. Desligue as duas fichas da cablagem localizadas por cima da dobradiça da porta.

- Agarre nos dois lados das fichas. Com o polegar esquerdo pressione para soltar a lingueta e puxe para separar as secções das fichas.



A. Ficha da cablagem
B. Conector de terra

- Com uma chave de caixa de 5 mm retire os quatro parafusos internos da dobradiça superior e coloque de lado.



A. Parafusos de 5 mm
B. Dobradiça superior

NOTA: Proporcione um suporte adicional para a porta do frigorífico enquanto as dobradiças estiverem a ser retiradas. Não dependa nos ímãs das juntas da porta para segurarem a porta no lugar enquanto estiver a trabalhar.

- Eleve a porta do frigorífico do pino da dobradiça inferior. A dobradiça superior sai com a porta.

NOTA: Pode ser necessário retirar as dobradiças inferiores e retirar os pés para passar o frigorífico pela porta.

- Apenas se for necessário, use uma chave de caixa de 6 mm e uma chave Phillips n.º 2 para retirar a dobradiça central.

Voltar a colocar a porta do frigorífico do lado direito

- Coloque a porta do lado direito sobre o pino da dobradiça central.
- Insira o pino da dobradiça superior no orifício aberto no topo da porta do frigorífico.
- Com uma chave de caixa de 5 mm fixe a dobradiça ao armário. Não aperte os parafusos totalmente.

Voltar a colocar a porta do frigorífico do lado esquerdo

- Coloque a porta do lado esquerdo sobre o pino da dobradiça central.
- Com uma chave de caixa de 5 mm fixe a dobradiça ao armário. Não aperte os parafusos totalmente.
- Volte a ligar a cablagem elétrica.
 - Ligue as duas secções da ficha da cablagem.
 - Volte a ligar o fio de terra ao parafuso da dobradiça.

Passos finais

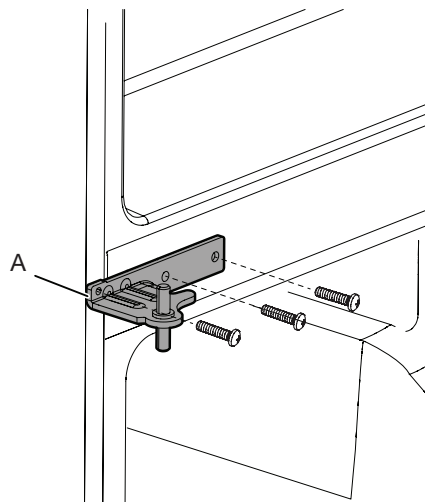
- Aperte totalmente os oito parafusos de 5 mm.
- Volte a colocar as coberturas das dobradiças superiores.

Retirar e voltar a colocar a porta do congelador/congelação flexível

- Mantenha as portas do congelador fechadas até estar pronto para as elevar livremente do armário.

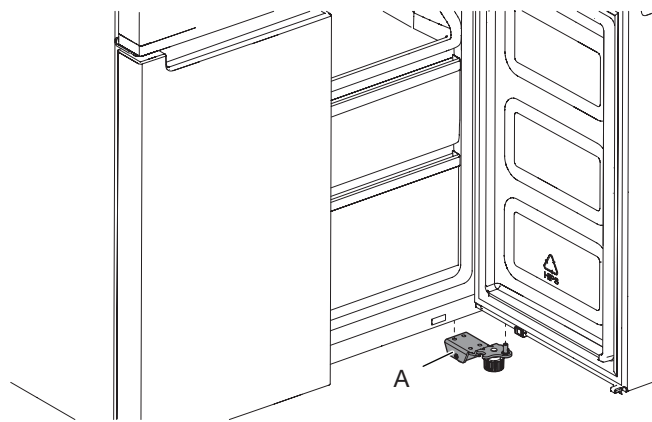
NOTA: Proporcione um suporte adicional para a porta do congelador enquanto as dobradiças estiverem a ser retiradas. Não dependa nos ímãs das juntas da porta para segurarem a porta no lugar enquanto estiver a trabalhar.

- Utilize uma chave Phillips n.º 2 e uma chave de caixa de 6 mm para retirar a dobradiça central do armário.



A. Dobradiça central

- Eleve a porta do congelador do pino da dobradiça inferior.



A. Dobradiça inferior

⚠ AVISO



Perigo de choque elétrico

Ligue a uma tomada ligada à terra.

Não retire o pino de terra.

Não utilize um adaptador.

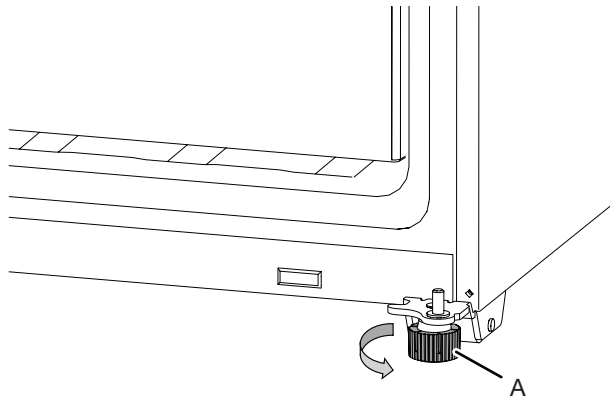
Não utilize extensões.

O não cumprimento destas instruções pode resultar em morte, incêndio ou choque elétrico.

1. Ligue a uma tomada ligada à terra.
2. Volte a colocar todas as peças amovíveis e os alimentos nas gavetas.

Nivelar o frigorífico

1. Desloque o frigorífico para a sua localização final.
2. Com a mão rode e trave os pés. Rode-os para a esquerda até os roletes estarem afastados do chão e os dois pés de travagem estarem bem encostados ao chão. Isto evita que o frigorífico deslize para a frente quando abrir as portas.



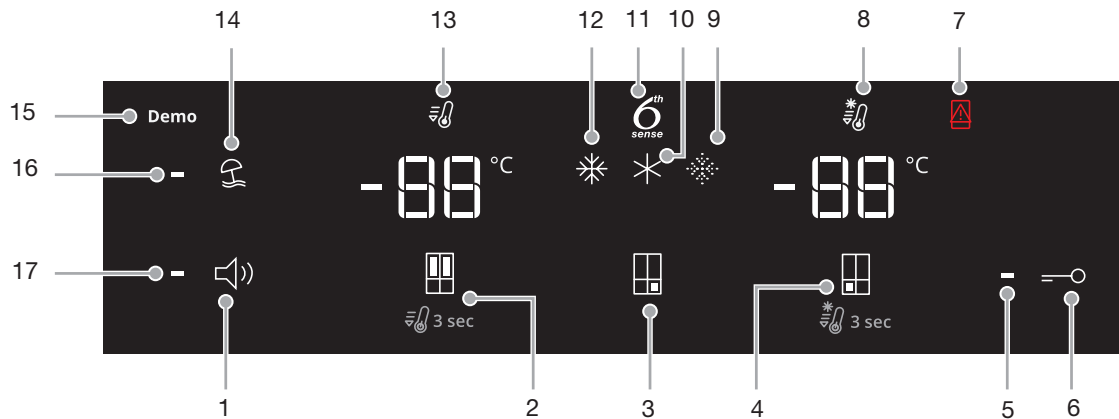
A. Pés de travagem

IMPORTANTE: Se necessitar de fazer mais ajustes nos pés de travagem, tem de os rodar as mesmas vezes para manter o frigorífico nivelado.

3. Utilize um nível para se certificar de que o frigorífico está nivelado de lado a lado e da frente para trás.

Utilizar os controlos

Os controlos ativáveis por toque encontram-se na porta do lado esquerdo. O painel de controlo inclui informação sobre os vários botões e indicadores. Os indicadores da temperatura do frigorífico e do congelador exibem as últimas temperaturas reguladas.



1. Botão para ligar/desligar o som
2. Botão da temperatura do frigorífico (mantenha durante 3 s para arrefecimento rápido)
3. Botão de predefinição da temperatura da congelação flexível (apenas com WQ9 B1L, 6WM24NIHAS e WQ70900SXX)
4. Botão da temperatura do congelador (mantenha durante 3 s para congelação rápida)
5. Indicador de bloqueio do teclado
6. Botão de bloqueio do teclado
7. Indicador de porta aberta
8. Indicador de congelação rápida
9. Indicador de congelação fraca (apenas com WQ9 B1L, 6WM24NIHAS e WQ70900SXX)
10. Indicador de congelação suave (apenas com WQ9 B1L, 6WM24NIHAS e WQ70900SXX)
11. Indicador 6th Sense
12. Indicador de congelação tradicional (apenas com WQ9 B1L, 6WM24NIHAS e WQ70900SXX)
13. Indicador de refrigeração rápida
14. Botão do modo férias
15. Indicador do modo de demonstração (apenas com WQ9 B1L, 6WM24NIHAS e WQ70900SXX)
16. Indicador do modo férias
17. Indicador do som

O painel de controlo desliga automaticamente após um minuto de inatividade. Para ligar o painel de controlo prima uma tecla qualquer.

- 88 Visualizar e ajustar as temperaturas reguladas

Ajustar a temperatura dos compartimentos do frigorífico e do congelador:

Para sua comodidade, os controlos do frigorífico e do congelador são predefinidos de fábrica.

Quando instalar o frigorífico pela primeira vez, certifique-se de os controlos estão ainda regulados para os valores recomendados. Os valores recomendados de fábrica são 3°C para o frigorífico e -18°C para o congelador.

Ao premir o botão da temperatura do frigorífico e do congelador irá alternar pelos valores definidos da temperatura em Celsius (°C).

IMPORTANTE:

- Aguarde 24 horas até colocar alimentos no frigorífico. Se colocar alimentos antes de o frigorífico ter arrefecido completamente, os alimentos podem estragar-se.
NOTA: Ajustar para uma temperatura inferior à recomendada não irá arrefecer os compartimentos mais rapidamente.
- Se a temperatura estiver demasiado alta ou baixa no frigorífico ou no congelador, antes de ajustar os controlos, verifique primeiro as aberturas de ventilação para se certificar de que não estão bloqueadas.
- A definição recomendada deve ser a correta para a utilização doméstica normal. Os controlos estão definidos corretamente quando o leite ou o sumo estiver à temperatura desejada e o gelado estiver firme.
NOTA: Áreas como uma garagem, cave ou alpendre podem ter uma humidade mais alta ou temperaturas extremas. Pode ter de ajustar uma temperatura diferente das definições recomendadas para ajustar o aparelho a estas condições.
- Aguarde pelo menos 24 horas entre ajustes. Volte a verificar as temperaturas antes de efetuar outros ajustes.

6th Sense Fresh Lock e controlo da congelação

O sensor 6th SENSE Fresh Lock garante um controlo preciso e consistente da temperatura para manter os alimentos frescos durante mais tempo, da forma mais natural. Assim que for detetada uma variação de temperatura, o sensor ativa um compressor que restaura rapidamente a temperatura original.

O sensor de congelação 6th SENSE minimiza as flutuações da temperatura no congelador graças a um sistema de gestão da temperatura inovador. As queimaduras do congelador são reduzidas preservando a qualidade e a cor dos alimentos.

Definição de congelação flexível (apenas com WQ9 B1L, 6WM24NIHAS e WQ70900SXX)

A função de congelação flexível permite-lhe alterar a temperatura predefinida para o compartimento de congelação flexível.

Símbolo	Função	Temperatura
✱	Congelador tradicional	-18°C
✱	Congelador suave	-12°C
✱	Congelador fraca	-7°C

* Para ativar/desativar a definição mais fria (-20°C), prima o botão de predefinição da temperatura da congelação flexível durante 3 segundos. Quando a definição mais fria está ativada, os três ícones estão acesos.

Ajustar a definição de multitemperatura

- Congelador tradicional (-18°C): Alimentos já congelados e alimentos frescos (máx. 12 meses)
- Congelador suave (-12°C): Alimentos já congelados (máx. 1 mês)
- Congelador fraca (-7°C): Alimentos já congelados (máx. 1 semana)



- Quando o Congelador Flexível (Flexible Freezer) está definido para -18°C ou -20°C, tanto a temperatura do Congelador Flexível como a do Congelado serão arrefecidas para o ajuste mais frio, conforme o Congelador Flexível ou o Congelador que possuir.
- A temperatura do compartimento do Congelador Flexível pode não atingir os -7°C quando a temperatura ambiente for de cerca de 10°C ou mais fria.

Quando ajustar os valores predefinidos da temperatura, utilize a seguinte tabela como guia:

CONDIÇÃO	AJUSTE DA TEMPERATURA
Frigorífico demasiado frio	Definição do frigorífico 1° mais alta
Frigorífico demasiado quente	Definição do frigorífico 1° mais baixa
Congelador demasiado frio	Definição do congelador 1° mais alta
Congelador demasiado quente/muito pouco gelo	Definição do congelador 1° mais baixo



Refrigeração rápida

A função de refrigeração rápida ajuda em períodos de grande utilização do frigorífico, grandes cargas de alimentos ou temperaturas ambiente temporariamente altas.

- Para ativar a função de refrigeração rápida, mantenha premido o botão de temperatura do frigorífico  durante 3 segundos. Quando a função estiver ativada, o ícone de refrigeração rápida estará aceso. A função de refrigeração rápida fica ativada durante 2 horas, a não ser que seja desligada manualmente.
- Para desligar manualmente a função de refrigeração rápida, mantenha premido o botão de temperatura do frigorífico  durante 3 segundos. O ícone de refrigeração rápida apaga-se quando a função não está ativada.
- Ao ajustar a temperatura do frigorífico desliga automaticamente a função de refrigeração rápida.

Congelação rápida

A quantidade de alimentos frescos (em kg) que é possível congelar em 24 horas encontra-se indicada na chapa de característica.

- Prima o botão de temperatura do congelador  durante 3 segundos (até o indicador de congelação rápida se acender), 24 horas antes de colocar alimentos frescos no congelador. Depois de colocar alimentos frescos no congelador, normalmente é suficiente ter a função de congelação rápida ativada durante 24 horas. Depois de 50 horas, a função de congelação rápida é desativada automaticamente.
- Para desligar manualmente a função de congelação rápida, mantenha premido o botão de temperatura do congelador  durante 3 segundos. O ícone de congelação rápida apaga-se.
- Ao ajustar a temperatura do congelador desliga automaticamente a função de congelação rápida.

Modo férias

Este modo foi concebido para evitar que o seu aparelho desperdice energia durante os tempos em que não estiver em utilização normal (por exemplo, quando estiver em férias).

Selecionando esta função, a temperatura do compartimento do frigorífico (RC) será definida automaticamente para 12°C.

- Para utilizar o modo férias, prima o botão do modo até o indicador do modo férias se acender no visor.
- Para sair do modo férias, prima o botão até o ícone não estar aceso no visor.
- Ao ajustar a temperatura do frigorífico desliga automaticamente a função do modo férias.

IMPORTANTE: Se este modo estiver selecionado, todos os alimentos e bebidas têm de ser retirados do compartimento do frigorífico.

Ligar/desligar o som

Prima o botão para ativar/desativar o feedback de som.

Bloqueio do teclado

- Prima e mantenha o botão de bloqueio premido durante 3 segundos para ativar a função de bloqueio.
- Para desativar o bloqueio, mantenha o botão de bloqueio durante premido 3 segundos.

A função de bloqueio ignora todas as interações com o painel de controlo até o utilizador desbloquear o painel de controlo. Esta função destina-se a evitar a alteração acidental das definições.

Modo de demonstração (apenas com WQ9 B1L, 6WM24NIHAS e WQ70900SXX)


Este modo é utilizado quando o frigorífico está em exposição numa loja de retalho ou se desejar desligar a refrigeração e desativar todas as outras funções (exceto a iluminação interior).

O modo de demonstração pode ser utilizar durante umas férias prolongadas. Consulte a secção “Cuidados em férias e em mudança” para consultar os passos adequados para deixar o frigorífico neste modo durante longos períodos de tempo.

- Se ligar o modo de demonstração, o ícone de “demonstração” irá acender-se no visor.
- Entre ou saia do modo de demonstração mantendo o botão para ligar ou desligar o som e o botão de bloqueio premidos em simultâneo durante 3 segundos.

Funções adicionais

Alarme de porta aberta

- A função de alarme de porta aberta emite um alarme e ativa a intermitência do ícone “Porta aberta”  quando uma das quatro portas estiver aberta durante 2 minutos ou mais.
- O alarme repete-se a cada 5 minutos. Feche todas as portas para o desligar.

NOTA: Para silenciar o alarme enquanto as portas estiverem abertas, como durante a limpeza do interior do frigorífico, toque um botão qualquer no painel de controlo. O som de alarme é desligado temporariamente mas o ícone de porta aberta continua visível no painel de controlo.

Acender o frigorífico

O frigorífico tem uma luz interior que se acende quando uma porta é aberta.

NOTA: A luz é de LED e não necessita de ser substituída. Se o LED não se acender quando a porta é aberta, contacte a assistência para substituir a luz.

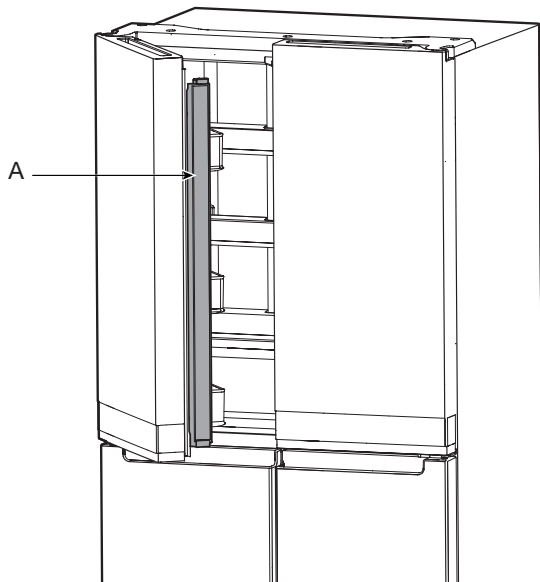
UTILIZAÇÃO DO FRIGORÍFICO

Abrir e fechar as portas

O compartimento do frigorífico tem duas portas. As portas podem ser abertas e fechadas separadamente ou em conjunto. A porta do lado esquerdo tem uma junta articulada na vertical.

- Quando a porta do lado esquerdo é aberta, a junta articulada dobra automaticamente para dentro para que não fique no caminho.
- Quando as duas portas estão fechadas, a junta articulada forma automaticamente uma junta entre as duas portas.

NOTA: Ao fechar a porta, a vedação articulada deve estar na posição correta (dobrada para dentro). Caso contrário, irá chocar contra a porta direita ou o veio de fixação.

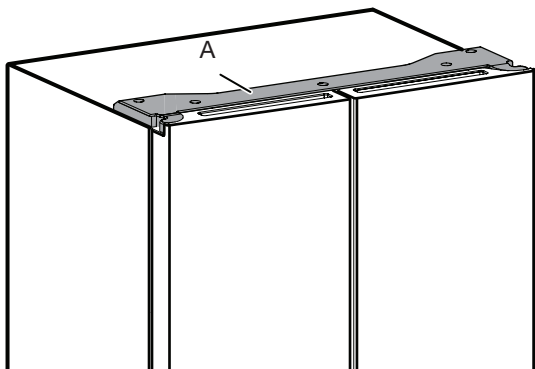


A. Vedação articulada

O interruptor da porta do compartimento do frigorífico encontra-se no topo esquerdo e direito da cobertura da dobradiça.

- Para a zona do congelador e multitemperatura, o interruptor da porta encontra-se na dobradiça inferior.
- O interruptor da porta usa um íman para detetar a abertura/o fecho da porta.
- Certifique-se de que não há ímanes ou dispositivos eletrónicos (altifalante, Coolvox®, etc.) num raio de 7,62 cm da cobertura da dobradiça.

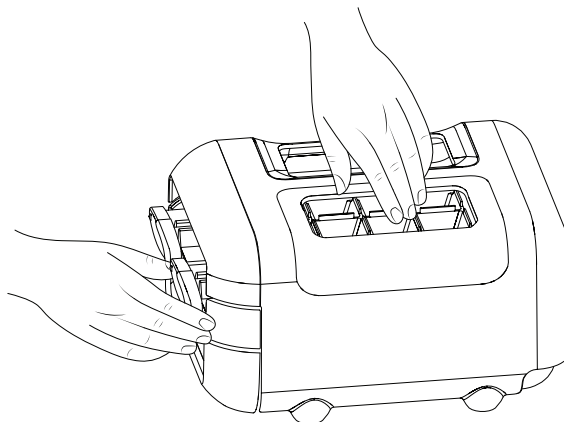
NOTA: A luz não se acende se a abertura da porta não for detetada.



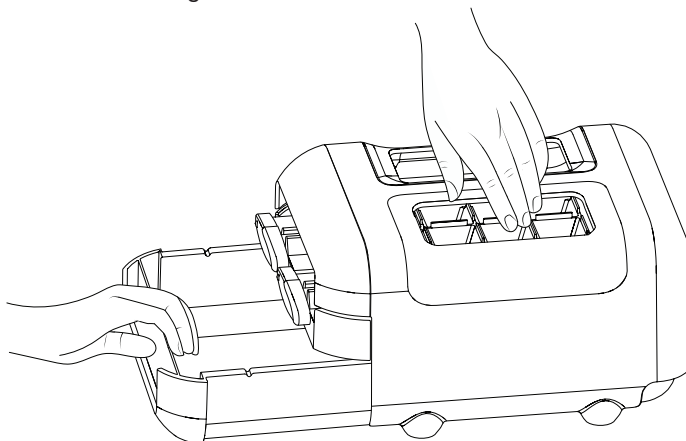
A. Cobertura da dobradiça

Gerador de gelo

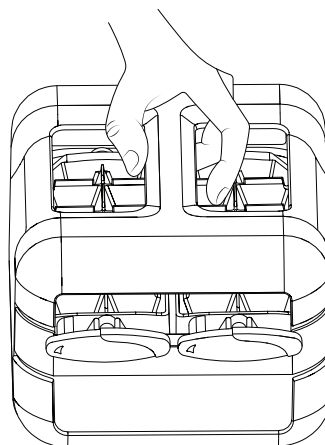
- Para fazer gelo, encha o tabuleiro de gelo com água purificada e coloque o gerador de gelo manual na prateleira superior do congelador. Aguarde até que o gelo se forme e assim que estiver pronto, rode o manípulo para a direita e ejeete os cubos de gelo para o recipiente de gelo.



- Eleve ligeiramente o recipiente do gelo e puxe-o para aceder aos cubos de gelo.



O conjunto do gerador de gelo manual pode ser retirado do congelador quando não é necessário gelo, para haver mais espaço no congelador.



Armazenamento de alimentos

Armazenamento de ovos

É recomendado armazenar os ovos a uma temperatura consistente para manter a frescura, assim, é melhor mantê-los no frigorífico na prateleira do meio.

PRATELEIRAS, COMPARTIMENTOS E GAVETAS

Informação importante sobre prateleiras e coberturas de vidro:

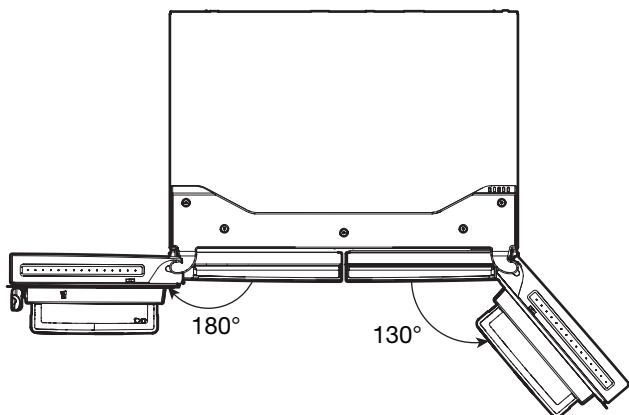
Não limpe as prateleiras ou coberturas de vidro com água morna quando estiverem frias. As prateleiras e as coberturas podem partir se expostas a mudanças repentinas de temperatura ou a impacto, como choque.

O vidro temperado foi concebido para se estilhaçar em muitos pedaços minúsculos. Isto é normal. As prateleiras e coberturas de vidro são pesadas. Use as duas mãos para as retirar para evitar deixá-las cair.

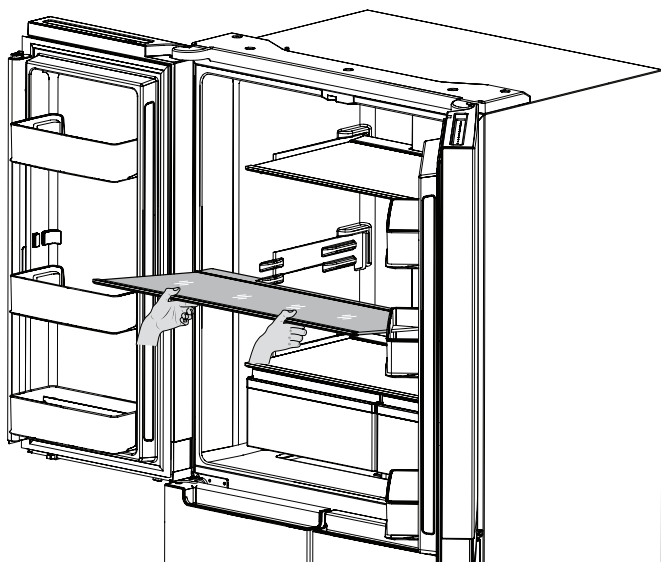
Ajuste da altura das prateleiras

A altura das prateleiras pode ser ajustada mudando a sua localização do suporte inferior para o superior e vice-versa.

- Abra a porta do lado direito ao máximo.
- Abra a porta do lado esquerdo ao máximo e eleve a porta para obter 180°.



- Retire a prateleira do frigorífico e coloque-a na posição desejada.



- Certifique-se de que a prateleira está assente nos respetivos suportes.

Prateleiras e respetivas estruturas

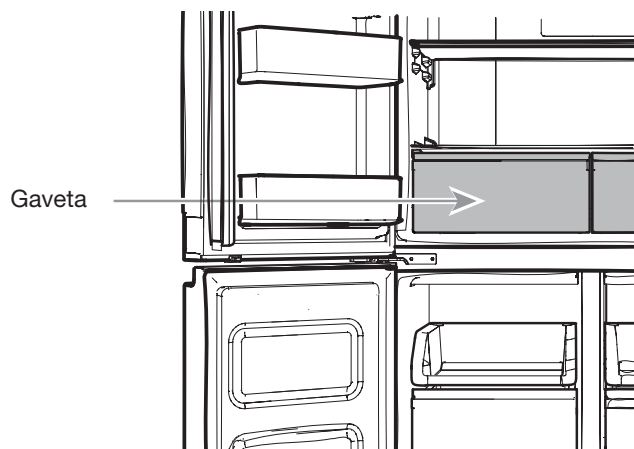
As prateleiras no frigorífico são ajustáveis para se adequem às suas necessidades de armazenamento individuais.

Armazenar os alimentos similares em conjunto no seu frigorífico e ajustar as prateleiras para diferentes alturas, facilita a localização do alimento correto. Também reduz a quantidade de tempo que a porta do frigorífico está aberta, poupando energia.

Para retirar e voltar a colocar as prateleiras:

1. Abra a porta do lado direito e do lado esquerdo ao máximo e eleve a porta para obter 180°.
2. Retire a prateleira do meio ou superior, levantando-a dos respetivos suportes. A seguir, puxe a prateleira para a frente e incline para baixo para uma posição vertical. Vire a prateleira para formar um ângulo e retire-a do frigorífico.
3. Retire a prateleira inferior, levantando-a dos respetivos suportes. A seguir, puxe a prateleira para a frente e incline para cima para uma posição vertical. Vire a prateleira para formar um ângulo e retire-a do frigorífico.
4. Volte a colocar as prateleiras do meio e superior, inserindo-as no frigorífico em ângulo, com a frente da prateleira para baixo. Levante a parte da frente da prateleira e deslize-a até a parte de trás assentar nos suportes. Baixe a parte da frente da prateleira e certifique-se de que esta está na posição correta.
5. Volte a colocar a prateleira inferior, inserindo-a no frigorífico em ângulo, com a prateleira para cima. Baixe a prateleira e deslize-a até a parte de trás assentar nos suportes. Baixe a parte da frente da prateleira e certifique-se de que esta está na posição correta.

Gavetas

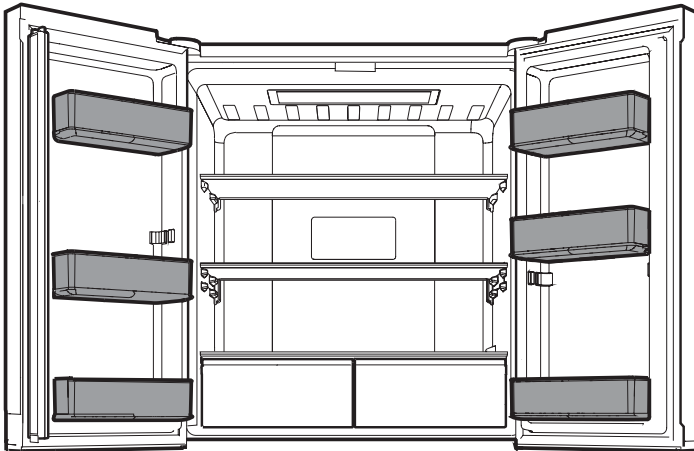


Para retirar e voltar a colocar as gavetas:

1. Agarre na pega da gaveta e puxe-a para fora a direito até parar. Levante a gaveta da guia inferior.
2. Volte a colocar a gaveta, posicionando-a sobre a guia inferior e empurrando-a para além do batente, até ficar em posição.

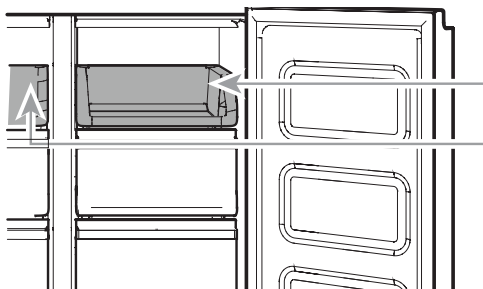
Compartimentos da porta do frigorífico

Os compartimentos da porta do frigorífico são ajustáveis para se adequem às suas necessidades de armazenamento individuais.



Compartimentos de armazenamento do congelador

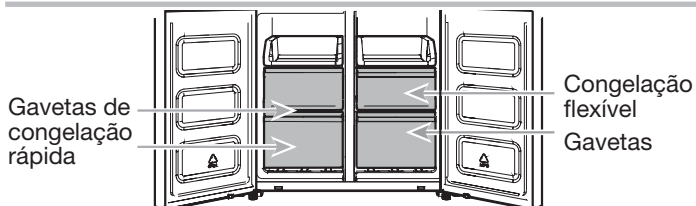
Tabuleiro de congelação



Tabuleiro de congelação

O tabuleiro de congelação é útil para aceder facilmente a produtos usados com frequência ou para guardar sobras ou itens pequenos.

Gavetas do congelador



Gavetas de congelação rápida

Congelação flexível
Gavetas

Compartimento de congelação rápida

- As gavetas de congelação rápida permitem-lhe guardar alimentos de grandes dimensões.
- A opção de congelação rápida permite-lhe guardar todos os seus alimentos congelador de forma segura e transparente.

NOTA: A temperatura do congelador pode ser reduzida para ser igual à temperatura do compartimento Flexible Freezer, se o congelador estiver definido para uma temperatura superior à do compartimento Flexible Freezer.

Compartimento de congelação flexível (apenas com WQ9 B1L, 6WM24NIHAS e WQ70900SXX)

O compartimento de congelação flexível permite-lhe seleccionar um de três níveis de temperatura do congelador: -7°C, -12°C e -18°C para proporcionar as melhores condições de armazenamento para diferentes tipos de alimentos.

Para a máxima capacidade do congelador, pode retirar a gaveta do congelador e expor a prateleira do congelador.

Para retirar a gaveta superior:

1. Agarre na pega da gaveta e puxe-a para fora a direito até parar. Levante a gaveta da guia inferior.
2. Volte a colocar a gaveta, posicionando-a sobre a guia inferior e empurrando-a para além do batente, até ficar em posição.

Prateleira do congelador (apenas com WQ9 E1L e WQ9 B1L)

Para maximizar a capacidade do congelador, pode retirar a gaveta central e expor a prateleira por baixo. Pode então armazenar na gaveta superior e colocar alimentos diretamente em cima da prateleira.

Referência áudio

Atribuição de som

Nome do som	Exemplos de utilização
Energia ligada	O sistema de refrigeração é ligado de cada vez que o produto é ligado à corrente.
Pressão de tecla	O utilizador prime um botão válido.
Invlido (erro)	O utilizador prime dois ou mais botões válidos ao mesmo tempo. Interrupção de contagem decrescente para premir e manter botões.
Engatar	Confirmação de entrada num modo qualquer.
Desativar	Confirmação de saída de um modo qualquer.
Alerta	Alerta de porta aberta.

Esta tabela destina-se apenas a referência rápida. Consulte as secções correspondentes para mais detalhes. Em caso de inconsistência, prevalecem os detalhes da secção.

Acessórios

Para encomendar acessórios, contacte o revendedor ao qual comprou o frigorífico.

Assistência ou serviço

Antes de chamar a assistência ou o serviço, verifique a secção "Resolução de problemas". Pode poupar-lhe o custo de um pedido de assistência. Se ainda necessitar de ajuda, siga as instruções em baixo.

Se necessitar de peças de substituição

Para localizar as peças de substituição específicas de fábrica na sua área, contacte o revendedor ao qual comprou o frigorífico.

Garantia

Contacte o revendedor ao qual comprou o frigorífico para obter informação sobre a garantia.

Guarde este manual e o recibo da compra juntos para referência futura. Tem de apresentar prova da data de compra ou de instalação para o serviço de garantia.

Anote a informação seguinte sobre o aparelho para o ajudar a obter assistência ou serviço, se alguma vez o necessitar. Terá de saber o número de modelo e o número de série completos. Pode encontrar esta informação na etiqueta de modelo e número de série, localizada na parede interior do compartimento do frigorífico.

Nome do revendedor _____

Número de série _____

Endereço _____

Número de telefone _____

Número do modelo _____

Data de compra _____

MANUTENÇÃO DO FRIGORÍFICO

Limpeza

AVISO



Perigo de explosão

Use um produto de limpeza não inflamável.

O incumprimento pode resultar em morte, explosão ou morte.

Todas as secções do frigorífico, do congelador e de congelação flexível (apenas com WQ9 B1L, 6WM24NIHAS e WQ70900SXX) descongelam automaticamente. No entanto, limpe todas as secções cerca de uma vez por mês para evitar a formação de odores. Limpe derramamentos de imediato.

Limpeza exterior

Consulte a informação de limpeza exterior específica para o seu modelo.

Estilo 1 – Porta lisa

IMPORTANTE: A danificação do acabamento liso devido à utilização errada de produtos de limpeza ou à utilização de produtos de limpeza não recomendados não é coberta pela garantia. Instrumentos afiados ou rombos irão deteriorar o acabamento.

UTILIZAR	NÃO UTILIZAR
✓ Pano macio e limpo	<ul style="list-style-type: none"> ✗ Panos abrasivos ✗ Toalhetes de papel ou jornais ✗ Esfregões de palha-de-aço
✓ Água morna com sabão, com um detergente suave	<ul style="list-style-type: none"> ✗ Pós ou líquidos abrasivos ✗ Sprays limpa-vidros ✗ Amoníaco ✗ Produtos de limpeza à base de ácido ou vinagre ✗ Produtos de limpeza para fornos ✗ Líquidos inflamáveis

NOTA: Os toalhetes de papel riscam e podem manchar a camada brilhante da porta pintada. Para evitar possíveis danos, use apenas panos macios e limpos para polir e limpar as portas.

Estilo 2 – Aço inoxidável

IMPORTANTE:

- Utilize apenas panos e produtos de limpeza recomendados para aço inoxidável. A danificação do acabamento de aço inoxidável devido à utilização errada de produtos de limpeza ou à utilização de produtos de limpeza não recomendados não é coberta pela garantia.
- Evite expor os aparelhos em aço inoxidável a elementos cáusticos ou corrosivos, como ambientes com nível elevado de sal e humidade. Os danos devido à exposição a estes elementos não são cobertos pela garantia.

UTILIZAR	NÃO UTILIZAR
✓ Pano macio e limpo	<ul style="list-style-type: none"> ✗ Panos abrasivos ✗ Toalhetes de papel ou jornais ✗ Esfregões de palha-de-aço
✓ Água morna com sabão, com um detergente suave	<ul style="list-style-type: none"> ✗ Pós ou líquidos abrasivos ✗ Amoníaco ✗ Produtos de limpeza à base de ácido cítrico ✗ Produtos de limpeza à base de ácido ou vinagre ✗ Produtos de limpeza para fornos
✓ Em caso de muita sujidade, utilize apenas um produto de limpeza para aço inoxidável concebido para eletrodomésticos. Para encomendar o produto de limpeza, contacte o revendedor ao qual comprou o frigorífico.	<ul style="list-style-type: none"> ✗ O produto de limpeza para aço inoxidável destina-se a limpar apenas as partes em aço inoxidável. Não permita que o produto de limpeza para aço inoxidável e de polimento entre em contacto com qualquer parte de plástico, como peças de decoração, tampas dos dispensadores ou juntas das portas.

Estilo 3 – Aço inoxidável resistente a dedadas

IMPORTANTE:

- Evite expor os aparelhos em aço inoxidável a elementos cáusticos ou corrosivos, como ambientes com nível elevado de sal e humidade. Os danos devido à exposição a estes elementos não são cobertos pela garantia.

UTILIZAR	NÃO UTILIZAR
✓ Pano macio e limpo	<ul style="list-style-type: none"> ✗ Panos abrasivos ✗ Toalhetes de papel ou jornais ✗ Esfregões de palha-de-aço
✓ Água morna com sabão, com um detergente suave	<ul style="list-style-type: none"> ✗ Pós ou líquidos abrasivos ✗ Sprays limpa-vidros ✗ Amoníaco ✗ Produtos de limpeza à base de ácido ou vinagre ✗ Produtos de limpeza para fornos ✗ Líquidos inflamáveis

NOTAS:

- Se ocorrer contacto accidental, limpe a peça de plástico com uma esponja e água morna com detergente suave. Seque bem com um pano macio.
- Por um produto de limpeza ser líquido não quer dizer que não seja abrasivo. Muitos produtos de limpeza líquidos, formulados para serem suaves em ladrilhos e superfícies lisas, danificam, ainda assim, o aço inoxidável.
- O ácido cítrico descolora permanentemente o aço inoxidável.
- Para evitar danificar o acabamento do frigorífico em aço inoxidável:

Não deixe que estas substâncias entrem em contacto com o acabamento:

- | | |
|------------------|-------------------------------|
| ✗ Mostarda | ✗ Molhos à base de citrinos |
| ✗ Sumo de tomate | ✗ Produtos à base de citrinos |
| ✗ Molho Marinara | |

Limpeza interior

1. Desligue o frigorífico da tomada ou desligue a corrente elétrica.
2. Lave à mão, enxague e seque bem as peças amovíveis e as superfícies interiores. Utilize uma esponja limpa ou um pano macio e um detergente suave em água morna.
NOTA: Não utilize produtos de limpeza abrasivos ou agressivos, como spays limpa-vidros, esfregões, líquidos inflamáveis, ceras de limpeza, detergentes concentrados, lixívia ou detergentes que contenham derivados do petróleo, em peças plásticas, revestimentos interiores ou de portas ou juntas.
3. Ligue ou volte a ligar o frigorífico à corrente elétrica.

Condensador

Este frigorífico tem um condensador de ambos os lados do frigorífico. É normal sentir quente nos lados.

Luzes

As luzes nos compartimentos do frigorífico e do congelador são LEDs, que não necessitam de ser substituídos. Se as luzes não acenderem quando a porta é aberta, contacte o revendedor ao qual comprou o frigorífico.

Cuidados em férias e em mudança

Férias

Se escolher deixar o frigorífico ligado quando estiver fora:

1. Consuma os alimentos perecíveis e congele os restantes.
2. Se o frigorífico tiver um gerador de gelo automático e estiver ligado à alimentação de água doméstica, desligue a alimentação de água ao frigorífico. Podem ocorrer danos materiais se a alimentação de água não for desligada.
3. Se tiver um gerador de gelo automático, desligue-o.
 - Prima o interruptor para desligar (O) o gerador de gelo da porta.
4. Esvazie o recipiente de gelo.

Se escolher desligar o frigorífico antes de sair:

NOTA: Coloque o frigorífico no modo de demonstração durante as férias. Consulte a secção “Utilizar os controlos”.

1. Retire todos os alimentos do frigorífico.
2. Se o frigorífico tiver um gerador de gelo automático:
 - Desligue a alimentação de água para gerador de gelo, pelo menos, 1 dia antes da data.
 - Quando a última carga de gelo cair, prima o interruptor para desligar (O) o visor no topo, no interior do frigorífico, dependendo do modelo.
3. Esvazie o recipiente de gelo.
4. Desligue os controlos da temperatura. Consulte a secção “Utilizar os controlos”.
5. Lave o frigorífico, limpe e seque bem.
6. Cole blocos de borracha ou madeira com fita aos topos das duas portas, para as manter abertas o suficiente para entrar ar. Isto evita a formação de odores e bolor.

Mudança

Quando mudar o frigorífico para uma casa nova siga estes passos para o preparar para a mudança.


1. Se o frigorífico tiver um gerador de gelo automático:
 - Desligue a alimentação de água para gerador de gelo, pelo menos, 1 dia antes da data.
 - Desconecte a linha de água da traseira do frigorífico.
 - Quando a última carga de gelo cair, prima o interruptor para desligar (O) no gerador de gelo ou no controlo, dependendo do modelo.
2. Retire todos os alimentos do frigorífico e embale todos os alimentos congelados em gelo seco.
3. Esvazie o recipiente de gelo.
4. Desligue o frigorífico da tomada.
5. Lave, limpe e seque bem.
6. Retire todas as peças amovíveis, embrulhe-as bem e cole-as com fita para que não se desloquem e batam durante a mudança.
7. Dependendo do modelo, eleve a parte da frente do frigorífico para que se desloque mais facilmente ou levante os parafusos de nivelamento para que não riscuem o chão. Consulte as secções “Ajustar as portas” ou “Nivelar o frigorífico e fechar a porta”.
8. Mantenha as portas fechadas com fita adesiva e fixe o cabo de alimentação com fita à traseira do frigorífico.

Quando chegar à sua casa nova, coloque tudo de volta e consulte a secção “Instruções de instalação” para obter as instruções de preparação. Além disso, se o frigorífico tiver um gerador de gelo automático, lembre-se de voltar a ligar a alimentação de água ao frigorífico.

RESOLUÇÃO DE PROBLEMAS

Tente primeiro as soluções aqui sugeridas para evitar uma possível chamada da assistência.

⚠ AVISO



Perigo de choque elétrico

Ligue a uma tomada ligada à terra.

Não retire o pino de terra.

Não utilize um adaptador.

Não utilize extensões.

O não cumprimento destas instruções pode resultar em morte, incêndio ou choque elétrico.

Sintoma	Causas possíveis	Solução
Funcionamento do frigorífico		
O frigorífico não funciona.	Verifique a alimentação elétrica.	Ligue o cabo de alimentação a uma tomada ligada à terra.
		Não utilize extensões.
		Certifique-se de que a tomada tem corrente. Ligue uma lâmpada para ver se a tomada está a funcionar.
		Reponha um disjuntor disparado. Substitua qualquer fusível queimado. NOTA: Se o problema continuar, contacte um electricista.
	Verifique os controlos.	Certifique-se de que os controlos estão ligados. Consulte a secção “Utilizar os controlos”.
	Instalação nova.	Aguarde 24 horas a seguir à instalação para deixar o frigorífico arrefecer totalmente. NOTA: Ajustar os controlos da temperatura para uma definição mais fria não irá arrefecer os compartimentos mais rapidamente.
	O controlo do frigorífico está no modo de demonstração (em alguns modelos).	Se o frigorífico estiver em modo de demonstração, a refrigeração está desligada e “Demo” está aceso no painel de controlo. Consulte a secção “Utilizar os controlos” para mais informações.
O motor parece funcionar demasiado.	Compressor e ventiladores de alta eficiência.	Os frigoríficos maiores, mais eficientes, funcionam durante mais tempo a velocidades mais baixas e mais eficientes energeticamente.
	A temperatura da divisão ou exterior está quente.	É normal o frigorífico funcionar durante mais tempo sob estas condições. Para um desempenho ideal, coloque o frigorífico num ambiente interior com a temperatura controlada. Consulte a secção “Requisitos de localização”.
	Foram introduzidas grandes quantidades de alimentos recentemente.	Alimentos mornos fazem com que o frigorífico funcione durante mais tempo até o ar arrefecer à temperatura desejada.
	A(s) porta(s) é(são) abertas com demasiada frequência ou durante muito tempo.	O ar morno que entra no frigorífico faz com que funcione durante mais tempo. Abra a porta com menos frequência.
	A porta do frigorífico ou a gaveta do congelador está aberta.	Certifique-se de que o frigorífico está nivelado. Consulte a secção “Nivelar o frigorífico e fechar a porta”. Não deixe alimentos ou recipientes a bloquear a porta.
	O controlo do frigorífico tem uma regulação demasiado fria.	Ajuste o controlo do frigorífico para uma regulação menos fria até ser atingida a temperatura desejada para o frigorífico.
	A junta da porta ou da gaveta está suja, desgastada ou partida.	Limpe ou substitua a junta. Fugas na vedação da porta fazem com que o frigorífico funcione durante mais tempo para manter as temperaturas desejadas.

RESOLUÇÃO DE PROBLEMAS

Tente primeiro as soluções aqui sugeridas para evitar uma possível chamada da assistência.

Sintoma	Causas possíveis	Solução
As luzes não funcionam.	O frigorífico está equipado com iluminação LED e não necessita de ser substituída.	Se a alimentação de corrente do frigorífico estiver ligada e as luzes não se acenderem quando a porta ou gaveta for aberta, chame a assistência ou serviço.
	As portas estiveram abertas durante mais de 10 minutos.	Feche as portas e a gaveta para fazer um reset e abra para retomar a tarefa com iluminação.
	O interruptor da porta não deteta a abertura da porta.	Certifique-se de que não há ímãs ou dispositivos eletrónicos num raio de 7,62 cm (3") da cobertura da dobradiça.
A UI de controlo da temperatura não se acende.	A UI de controlo da temperatura entrou em hibernação.	Prima um botão qualquer na UI para acordar a UI de controlo da temperatura.
	Os botões da UI de controlo da temperatura não funcionam bem.	Tente desligar e voltar a ligar o frigorífico para que os botões façam reset. Se o problema continuar, chame a assistência ou o serviço.
	A UI de controlo da temperatura não recebe corrente elétrica.	Verifique o chicote de cabos na dobradiça da porta.
Desative para ajustar a definição na UI de controlo da temperatura.	A porta está aberta e é emitido o respetivo alarme.	Feche a porta.
Ruído anormal		
Para ouvir sons normais do frigorífico, consulte a secção Ajuda/FAQ do produto no website da marca e pesquise por "sons normais". Em baixo encontram-se listados alguns sons normais com explicações.		
O frigorífico parece barulhento.	O compressor no seu frigorífico novo regula a temperatura de forma mais eficiente, utilizando menos energia e funcionando mais silenciosamente.	Devido a esta redução do ruído de funcionamento, pode detetar ruídos não familiares que são normais.
O som do compressor funciona durante mais tempo.	Compressor e ventiladores de alta eficiência.	Os frigoríficos maiores, mais eficientes, funcionam durante mais tempo a velocidades mais baixas e mais eficientes energeticamente.
Pulsar/roncar	Ventiladores/compressor a ajustar-se para otimizar o desempenho durante o funcionamento normal do compressor.	Isto é normal.
Estouros	Contração/ expansão das paredes interiores, especialmente durante o arrefecimento inicial.	Isto é normal.
Sibilar/pingar	Fluxo de refrigerante ou de óleo no compressor.	Isto é normal.
Vibração	O frigorífico pode não estar estável.	Ajuste os parafusos de nivelamento e baixe os pés de nivelamento para tocar bem no chão. Consulte a secção "Nivelar o frigorífico e fechar a porta".
Crepitar	Água a pingar no aquecedor durante o ciclo de descongelação.	Isto é normal.
Água a correr/gorgolejar	Pode ouvir-se quando o gelo derrete durante o ciclo de descongelação e a água corre para o recipiente de recolha.	Isto é normal.

RESOLUÇÃO DE PROBLEMAS


Tente primeiro as soluções aqui sugeridas para evitar uma possível chamada da assistência.

Sintoma	Causas possíveis	Solução
Temperatura e humidade		
A temperatura está demasiado alta.	O frigorífico acabou de ser instalado.	Aguarde 24 horas a seguir à instalação para deixar o frigorífico arrefecer totalmente.
	Os controlos não estão ajustados corretamente para as condições envolventes.	Ajuste os controlos para uma definição mais fria. Verifique a temperatura após 24 horas. Consulte a secção “Utilizar os controlos”.
	A(s) porta(s) está(ão) aberta(s) ou não está(ão) fechada(s) completamente. Deixa entrar ar morno no frigorífico.	Minimize a abertura das portas e mantenha-as totalmente fechadas.
	Foi introduzida recentemente uma grande quantidade de alimentos.	Aguarde algumas horas para o frigorífico regressar à temperatura normal.
	O modo de demonstração está ligado.	Desligue o modo de demonstração. Consulte a secção “Utilizar os controlos”.
	O modo de férias está ligado.	Desligue o modo de férias. Consulte a secção “Utilizar os controlos”.
A temperatura está demasiado baixa no frigorífico/gaveta.	A(s) abertura(s) de ventilação do frigorífico está(ão) bloqueada(s).	Se a abertura de ventilação localizada a meio da traseira do compartimento do frigorífico estiver bloqueada por itens colocados diretamente à frente, o frigorífico fica demasiado frio. Afaste os itens da abertura de ventilação.
	Os controlos não estão ajustados corretamente para as condições envolventes.	Ajuste os controlos para uma definição mais quente. Verifique a temperatura após 24 horas. Consulte a secção “Utilizar os controlos”.
A temperatura está demasiado baixa na gaveta com temperatura controlada.	O controlo não está regulado corretamente para os itens guardados na gaveta.	Ajuste a definição de multitemperatura. Consulte “Utilizar os controlos” na secção “Utilização do frigorífico”.
Há acumulação de humidade interior. NOTA: É normal alguma acumulação de humidade.	A divisão é húmida.	Um ambiente húmido contribui para a acumulação de humidade.
	A(s) porta(s) está(ão) aberta(s) ou não está(ão) fechada(s) completamente. Deixa entrar ar húmido no frigorífico.	Minimize a abertura das portas e feche-as totalmente.
	A(s) porta(s) não pode(m) ser fechada(s).	Afaste as embalagens da porta.
	Um recipiente ou prateleira está no caminho.	Empurre o recipiente ou a prateleira para a posição correta.
	Armazenar líquido em recipientes abertos.	Isto aumenta a humidade dentro do frigorífico. Mantenha todos os recipientes bem fechados.
Há acumulação de gelo no compartimento do congelador.	A porta é aberta com frequência ou é deixada aberta.	Minimize a abertura das portas e feche a gaveta totalmente depois da utilização.
	A porta tem uma vedação fraca.	Certifique-se de que as vedações da porta fazem bom contacto com o armário do frigorífico para permitir uma vedação adequada.
	Os controlos da temperatura não estão regulados corretamente.	Consulte a secção “Utilizar os controlos” para as definições de temperatura recomendadas.

RESOLUÇÃO DE PROBLEMAS

Tente primeiro as soluções aqui sugeridas para evitar uma possível chamada da assistência.

⚠ AVISO



Perigo de explosão

Use um produto de limpeza não inflamável.

O incumprimento pode resultar em morte, explosão ou morte.

Para ver uma animação que mostra como ajustar e alinhar as portas, consulte a secção Ajuda/FAQ do produto no website da marca e pesquise por “Fechar e alinhar a porta”.

Sintoma	Causas possíveis	Solução
Portas		
As portas não fecham totalmente.	A porta não pode ser fechada.	Afaste as embalagens da porta.
	Um recipiente ou prateleira está no caminho.	Empurre o recipiente ou a prateleira para a posição correta.
	Instalado recentemente	Remova todo o material de embalagem.
É difícil abrir as portas.	As juntas das portas estão sujas ou pegajosas.	Limpe as juntas e as superfícies de contacto com água morna e sabão suave. Enxague e seque com um pano macio.
As portas parecem estar desniveladas.	As portas têm de ser alinhadas ou o frigorífico tem de ser nivelado.	Se necessitar de alinha as portas, chame a assistência.
O frigorífico não está estável ou desloca-se para a frente quando as portas são abertas e fechadas.	Os pés de travagem do frigorífico não estão bem encostados ao chão.	Rode os dois pés de travagem (um de cada lado) para a esquerda, o mesmo número de vezes, até estarem bem encostados ao chão. Consulte a secção “Nivelar o frigorífico e fechar a porta”.

