

# Operating instructions

DISHWASHER

EN

English, 1

FR

Français, 15

PT

Português, 30

TR

Türkçe, 44

RU

Русский, 58

**DFP 58T94**

## Contents

### Product Fiche, 2

### Precautions and advice, 3

General safety  
Disposal  
Saving energy and respecting the environment

### Installation and Assistance, 4-5

Positioning and levelling  
Connecting the water and electricity supplies  
Advice regarding the first wash cycle  
Technical data

### Description of the appliance, 6

Overall view  
Control panel

### Loading the racks, 7-8

Lower rack  
Cutlery basket  
Upper rack  
Adjusting the upper rack  
Unsuitable crockery

### Start-up and use, 9

Starting the dishwasher  
Measuring out the detergent

### Wash cycles, 10

Table of wash cycles

### Special wash cycles and Options, 11

### Rinse aid and refined salt, 12

Measuring out the rinse aid  
Measuring out the refined salt

### Care and maintenance, 13


Shutting off the water and electricity supplies  
Cleaning the dishwasher  
Preventing unpleasant odours  
Cleaning the sprayer arms  
Cleaning the water inlet filter  
Cleaning the filters  
Leaving the machine unused for extended periods

### Troubleshooting, 14

# Product fiche

EN

Product Fiche	
Brand	<b>INDESIT</b>
Model	<b>DFP 58T94</b>
Rated capacity in standard place settings (1)	14
Energy efficiency class on a scale from A+++ (low consumption) to D (high consumption)	A++
Energy consumption per year in kWh (2)	265.0
Energy consumption of the standard cleaning cycle in kWh	0.93
Power consumption of the off-mode in W	0.5
Power consumption of the left-on mode in W	5.0
Water consumption per year in litres (3)	2520.0
Drying efficacy class on a scale from G (low efficacy) to A (high efficacy)	A
Programme time for standard cleaning cycle in minutes	190
The duration of the left-on mode in minutes	10
Noise in dB(A) Re 1pW	44
Built-in model	No
<b>NOTES</b>	
1) The information on the label and fiche relates to the standard cleaning cycle, this programme is suitable to clean normally soiled tableware and it is the most efficient programme in terms of combined energy and water consumption. The standard cleaning cycle corresponds to the Eco cycle.	
2) Based on 280 standard cleaning cycles using cold water fill and the consumption of the low power modes. Actual energy consumption depends on how the appliance is used.	
3) Based on 280 standard cleaning cycles. Actual water consumption depends on how the appliance is used.	

 This appliance was designed and manufactured in compliance with international safety standards. The following information has been provided for safety reasons and should therefore be read carefully.

Keep this instruction manual in a safe place for future reference. If the appliance is sold, given away or moved, please ensure the manual is kept with the machine.

Please read these instructions carefully: they contain important information on installation, use and safety.

This appliance is designed for domestic use or similar applications, for example:

- staff kitchen areas in shops, offices and other work environments;
- farmhouses;
- use by guests in hotels, motels and other residential settings;
- bed & breakfasts.

## General safety

- The appliance should not be operated by people (including children) with reduced physical, sensory or mental capacities, or by inexperienced people who are not familiar with the product, unless supervision or instructions on how to use it are provided by someone who assumes responsibility for their safety.
- An adult must supervise children at all times to prevent them from playing with the appliance.
- The appliance was designed for domestic use inside the home and is not intended for commercial or industrial use.
- The appliance must be used by adults only to wash domestic crockery in accordance with the instructions in this manual.
- The appliance must not be installed outdoors, even in covered areas. It is extremely dangerous to leave the machine exposed to rain and storms.
- Do not touch the appliance when barefoot.
- When unplugging the appliance always pull the plug from the mains socket. Do not pull on the cable.
- The water supply tap must be shut off and the plug should be removed from the electrical socket before cleaning or maintaining the appliance.
- If the appliance breaks down, do not under any circumstances touch the internal parts in an attempt to perform the repair work yourself.
- Do not lean or sit on the open door of the appliance: this may cause the appliance to overturn.
- The door should not be left open as it may create a dangerous obstacle.
- Keep detergent and rinse aid out of reach of children.
- The packaging material should not be used as a toy for children.

## Disposal

- Disposal of packaging material: observe local legislation so that the packaging may be reused.
- The European Directive 2012/19/EU relating to Waste Electrical and Electronic Equipment (**WEEE**) states that household appliances should not be disposed of using the normal solid urban waste cycle. Exhausted appliances should be collected separately in order to optimise the re-using and recycling rate of the materials inside the machine, while preventing potential damage to the environment and public health. The crossed-out dustbin symbol is marked on all products to remind the owners of their obligations regarding separated waste collection. For further information relating to the correct disposal of household appliances, owners may contact the relevant public authority or the local appliance dealer.

## Saving energy and respecting the environment

### Saving water and energy

- Only begin a wash cycle when the dishwasher is full. While waiting for the dishwasher to be filled, prevent unpleasant odours using the Soak cycle (*see Wash cycles*).
- Select a wash cycle that is suited to the type of crockery and to the soil level of the crockery using the Table of wash cycles:
  - for dishes with a normal soil level use the Eco wash cycle, which ensures low energy/water consumption levels.
  - If the load is smaller than usual activate the Half Load option\* (*see Start-up and use*).
- If your electricity supply contract gives details of electricity-saving time bands, run wash cycles when electricity prices are lower. The Delayed Start button \* (*see Start-up and use*) helps you organise the wash cycles accordingly.

### Phosphate-free and chlorine-free detergents containing enzymes

- We strongly recommend that you use detergents that do not contain phosphates or chlorine, as these products are harmful to the environment.
- Enzymes provide a particularly effective action at temperatures around 50°C. As a result detergents containing enzymes can be used in conjunction with low-temperature wash cycles in order to achieve the same results as a normal 65°C wash cycle.
- To avoid wasting detergent, use the product in appropriate quantities based on the manufacturer's recommendations, the hardness of the water, the soil level and the quantity of crockery to be washed. Even if they are biodegradable, detergents contain substances which may alter the balance of nature.

\* Only available in selected models.

# Installation and Assistance

EN

**⚠** If the appliance must be moved at any time, keep it in an upright position; if absolutely necessary, it may be tilted onto its back.

## Positioning and levelling

1. Remove the appliance from all packaging and check that it has not been damaged during transportation. If it has been damaged, contact the retailer and do not proceed any further with the installation process.

2. Arrange the dishwasher so that its sides or back panel are in contact with the adjacent cabinets or the wall. This appliance can also be recessed under a single worktop\* (*see the Assembly Instruction sheet.*)

3. Position the dishwasher on a level sturdy floor. If the floor is uneven, the front feet of the appliance should be adjusted until it reaches a horizontal position. If the appliance is levelled correctly, it will be more stable and much less likely to move or cause vibrations and noise while it is operating.

4\*. To adjust the height of the rear foot, turn the red hexagonal bushing on the lower central part at the front of the dishwasher using a hexagonal spanner with an opening of 8 mm. Turn the spanner in a clockwise direction to increase the height and in an anticlockwise direction to decrease it (*see Building-in Instruction sheet attached to the documentation.*)

## Connecting the water and electricity supplies

**⚠** Connection to the water and electricity supplies should only be performed by a qualified technician.

**⚠** The dishwasher should not stand on the water hoses or electricity supply cable.

**⚠** The appliance must be connected to the water supply network using new hoses. Never use old or second hand hose sets. Do not reuse hose sets from any previously installed dishwasher.

The water inlet and outlet hoses and the electricity supply cable may be positioned towards the right or the left in order to achieve the best possible installation.

### Connecting the water inlet hose

- To a suitable cold water connection point: before attaching the hose, run the water until it is perfectly clear so that any impurities that may be present in the water do not clog the appliance; after performing this operation, screw the inlet hose tightly onto a tap with a  $\frac{3}{4}$  gas threaded connection.
- To a suitable hot water connection point: your dishwasher may be supplied with hot water from the mains supply (if you have a central heating system with radiators) provided that it does not exceed a temperature of 60°C.

**⚠** Screw the hose to the tap as described for connection to a cold water supply.

**⚠** If the inlet hose is not long enough, contact a specialist store or an authorised technician (*see Assistance.*)

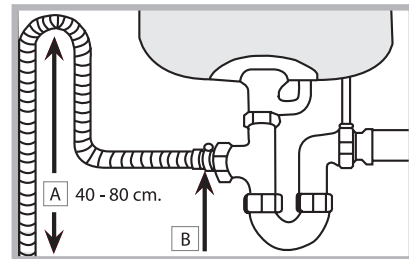
**⚠** The water pressure must be within the values indicated in the Technical Data table (*see adjacent information.*)

The hose should not be bent or compressed.

### Connecting the water outlet hose

Connect the outlet hose (without bending it) to a drain duct with a minimum diameter of 4 cm.

The outlet hose must be at a height ranging from 40 to 80 cm from the floor / surface where the dishwasher rests (A).



Before connecting the water outlet hose to the sink drain, remove the plastic plug (B).

### Anti-flooding protection

To ensure floods do not occur, the dishwasher:

- is provided with a special system which blocks the water supply in the event of anomalies or leaks from inside the appliance. Some models are also equipped with the supplementary safety device **New Acqua Stop\***, which guarantees anti-flooding protection even in the event of a supply hose rupture.



**WARNING: HAZARDOUS VOLTAGE!**

Under no circumstances should the water inlet hose be cut, as it contains live electrical parts.

### Electrical connection

Before inserting the plug into the electrical socket, make sure that:

- The socket is earthed and complies with current regulations.
- the socket can withstand the maximum load of the appliance, which is indicated on the data plate located on the inside of the door (*see Description of the appliance*);
- The power supply voltage falls within the values indicated on the data plate on the inside of the door.
- The socket is compatible with the plug of the appliance. If this is not the case, ask an authorised technician to replace the plug (*see Assistance*); do not use extension cables or multiple sockets.

**⚠** Once the appliance has been installed, the power supply cable and the electrical socket should be easily accessible.

**⚠** The cable should not be bent or compressed.

**⚠** If the power supply cable is damaged, it must be replaced by the manufacturer or its Technical Assistance Service in order to prevent all potential hazards (*see Assistance.*)


\* Only available in selected models.

### Anti-condensation strip\*

After installing the dishwasher, open the door and stick the adhesive transparent strip under the wooden shelf in order to protect it from any condensation which may form.

### Advice regarding the first wash cycle

After the installation, remove the stoppers from the racks and the retaining elastic elements from the upper rack, if any. Immediately before the first washing, completely fill the salt dispenser with water and add only then approximately 1 kg of salt (*see chapter entitled Rinse aid and refined salt*). The water may overflow: this is normal and is not a cause for concern. Select the water hardness value (*see chapter entitled Rinse aid and refined salt*). - After the salt has been poured into the machine, the LOW SALT indicator light\* switches off.

 If the salt container is not filled, the water softener and the heating element may be damaged as a result.

## Assistance

### Before contacting Assistance:

- Check whether the problem can be resolved using the Troubleshooting guide (*see Troubleshooting*).
- Restart the programme to check whether the problem has ceased to exist.
- If the problem persists, contact the Authorised Technical Assistance Service.

 **Never use the services of unauthorised technicians.**

### Please have the following information to hand:



- The type of malfunction.
- The appliance model (Mod.).
- The serial number (S/N).

This information can be found on the appliance data plate (*see Description of the appliance*).

The machine has a buzzer/set of tones (*depending on the dishwasher model*) to inform the user that a command has been implemented: power on, cycle end etc.

The symbols/indicator lights/LEDs on the control panel/display may vary in colour and may have a flashing or fixed light (*depending on the dishwasher model*).

The display provides useful information concerning the type of wash cycle, drying/wash-cycle phase, remaining time, temperature etc etc.

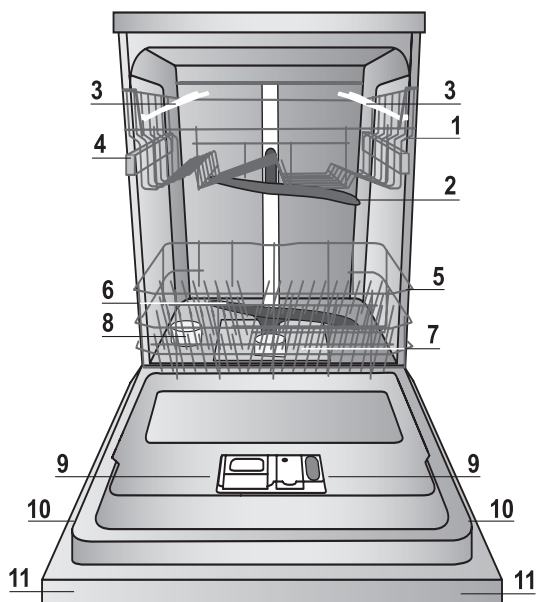
Technical data	
<b>Dimensions</b>	width 60 cm height 85 cm depth 60 cm
<b>Capacity</b>	14 standard place-settings
<b>Water supply pressure</b>	0,05 ÷ 1MPa (0.5 ÷ 10 bar) 7,25 – 145 psi
<b>Power supply voltage</b>	See appliance data plate
<b>Total absorbed power</b>	See appliance data plate
<b>Fuse</b>	See appliance data plate
  	This dishwasher conforms to the following European Community Directives: -2006/95/EC (Low Voltage) -2004/108/EC (Electromagnetic Compatibility) -2009/125/EC (Comm. Reg. 1016/2010) (Ecodesign) -97/17/EC (Labelling) -2012/19/EU Waste Electrical and Electronic Equipment (WEEE)

\* Only available in selected models.

# Description of the appliance

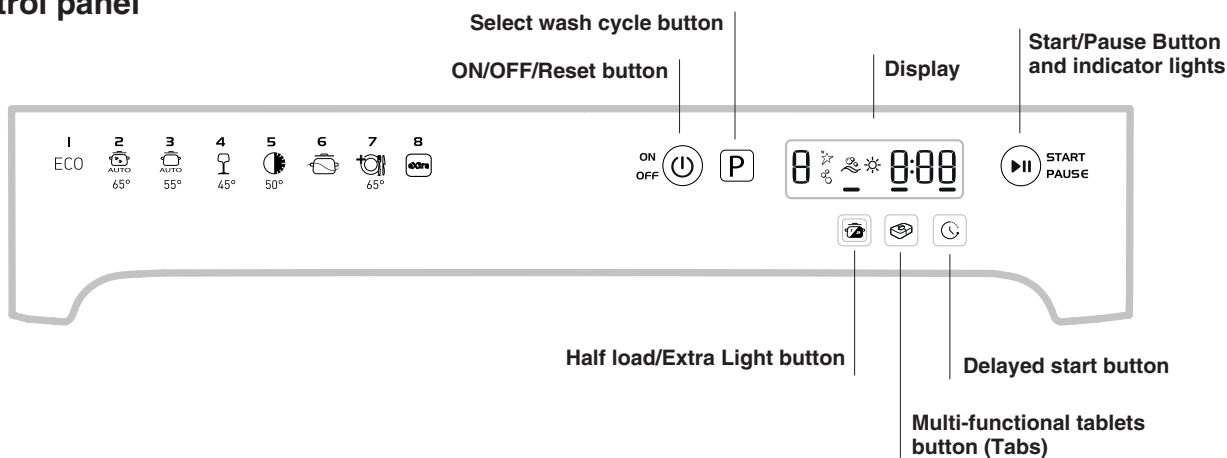
EN

## Overall view

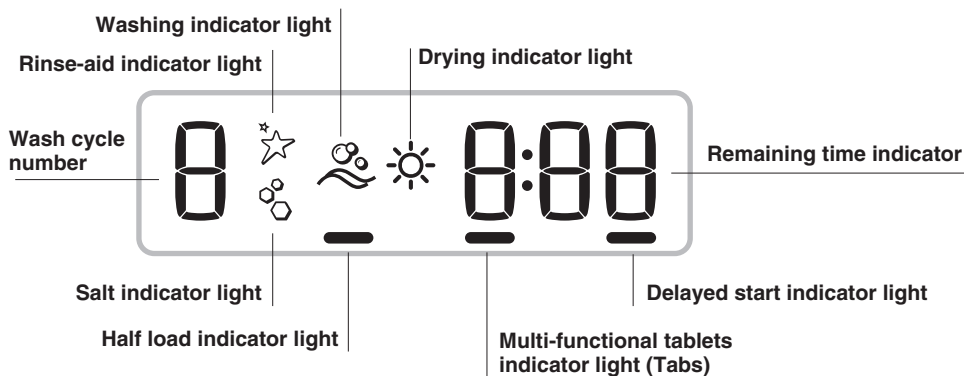


- 1. Upper rack
- 2. Upper sprayer arm
- 3. Tip-up dispensers
- 4. Rack height adjuster
- 5. Lower rack
- 6. Lower sprayer arm
- 7. Washing filter
- 8. Salt dispenser
- 9. Detergent dispenser, rinse-aid dispenser and Active Oxygen device\*
- 10. Data plate
- 11. Control panel\*\*\*

## Control panel



## Display



\*\*\* Only in completely built-in models.

\* Only available in selected models.

The number and type of wash cycles and options may vary depending on the dishwasher model.

# Loading the racks

## Tips

Before loading the racks, remove all food residues from the crockery and empty liquids from glasses and containers. **No preventive rinsing is needed under running water.**

Arrange the crockery so that it is held in place firmly and does not tip over; and arrange the containers with the openings facing downwards and the concave/convex parts placed obliquely, thus allowing the water to reach every surface and flow freely. Make sure that the lids, handles, trays and frying pans do not prevent the sprayer arms from rotating. Place any small items in the cutlery basket.

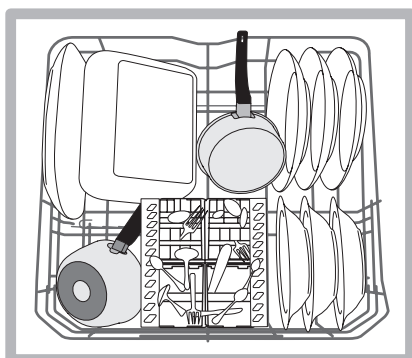
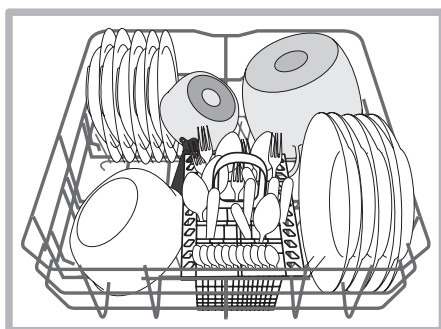
Since plastic dishes and non-stick frying pans usually retain more water drops, their drying will be not so good as that of ceramic or stainless-steel dishes.

Lightweight items such as plastic containers should be placed in the upper rack and arranged so that they cannot move.

After loading the appliance, make sure that the sprayer arms can rotate freely.

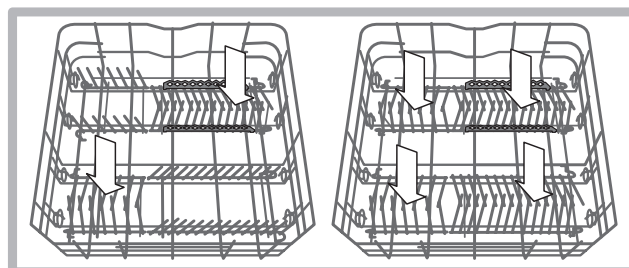
## Lower rack

The lower rack can hold pans, lids, dishes, salad bowls, cutlery etc. Large plates and lids should ideally be placed at the sides.



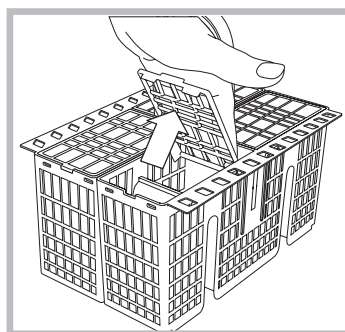
Very soiled dishes and pans should be placed in the lower rack because in this sector the water sprays are stronger and allow a higher washing performance.


Several dishwasher models are fitted with tip-up sectors\* . They can be used in a vertical position when arranging dishes or in a horizontal position (lower) to load pans and salad bowls easily.



## Cutlery basket

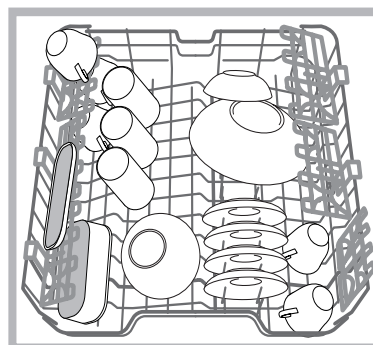
The basket is equipped with top grilles for improved cutlery arrangement. The cutlery basket should be positioned **only** at the front of the lower rack



 Knives and other utensils with sharp edges must be placed in the cutlery basket with the points facing downwards or they must be positioned horizontally in the tip-up compartments on the upper rack

## Upper rack

Load this rack with delicate and lightweight crockery such as glasses, cups, saucers and shallow salad bowls.



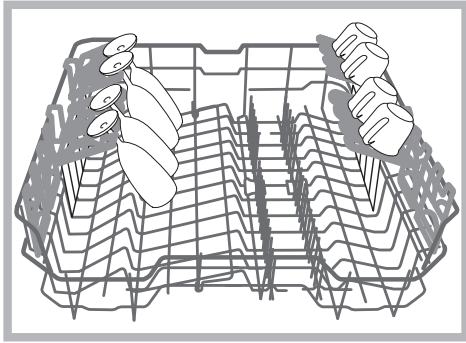
Several dishwasher models are fitted with tip-up sectors\* . They can be used in a vertical position when arranging tea/ dessert saucers or in a lower position to load bowls and food containers.

\*Only available in selected models with different numbers and positions.

### Tip-up compartments with adjustable position

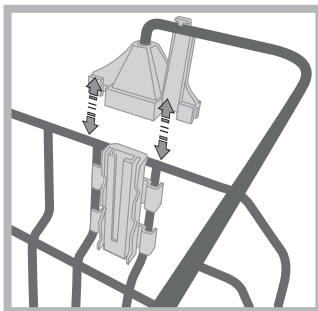
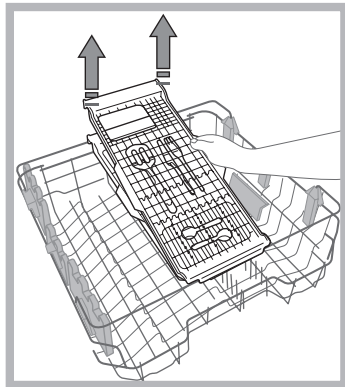
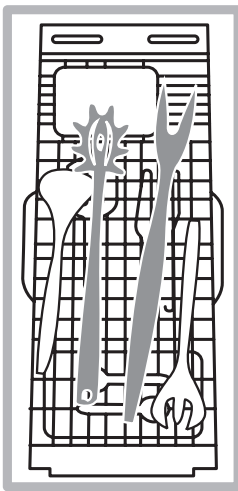
The side tip-up compartments can be positioned at three different heights to optimize the arrangement of crockery inside the rack.

Wine glasses can be placed safely in the tip-up compartments by inserting the stem of each glass into the corresponding slots.



### Cutlery tray\*

Some dishwasher models are fitted with a sliding tray which can be used to hold serving utensils or small cups. For optimum washing performance avoid positioning bulky crockery directly below the tray. The cutlery tray can be removed (see Figure).



Before loading the tray, make sure the supports are properly coupled to the upper rack (see Figure).

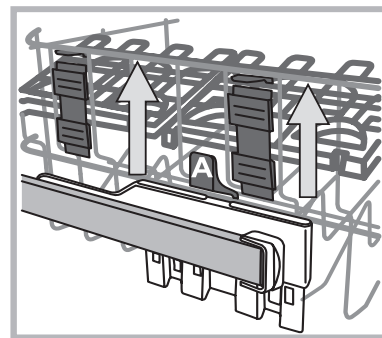
The upper rack can be adjusted for height based on requirements: high position to place bulky crockery in the lower rack and low position to make the most of the tip-up compartments/sectors by creating more space upwards.

### Adjusting the height of the upper rack

In order to make it easier to arrange the crockery, the upper rack may be moved to a higher or lower position.

**The height of the upper rack should be adjusted WHEN THE RACK IS EMPTY.**

**NEVER raise or lower the rack on one side only.**



If the rack is equipped with a **Lift-Up device\*** (see figure), lift it up by holding its sides. To restore the lower position, press the levers (A) at the sides of the rack and follow the rack down.

### Unsuitable crockery

- Wooden crockery and cutlery.
- Delicate decorated glasses, artistic handicraft and antique crockery. Their decorations are not resistant.
- Parts in synthetic material which do not withstand high temperatures.
- Copper and tin crockery.
- Crockery soiled with ash, wax, lubricating grease or ink.

The colours of glass decorations and aluminium/silver pieces can change and fade during the washing process. Some types of glass (e.g. crystal objects) can become opaque after a number of wash cycles too.

### Damage to glass and crockery

Caused by:

- Type of glass and glass production process.
- Chemical composition of detergent.
- Water temperature of rinse cycle.

Tips:


- Only use glasses and porcelain guaranteed by the manufacturer as dishwasher safe.
- Use a delicate detergent suitable for crockery.
- Collect glasses and cutlery from the dishwasher as soon as the wash cycle is over.


\* Only available in selected models.



## Starting the dishwasher

1. Turn the water tap on.
2. Press the ON/OFF button.
3. Open the door and pour in a suitable amount of detergent (see below).
4. Load the racks (see *Loading the racks*) and shut the door.
5. Select the wash cycle in accordance with the type of crockery and its soil level (see *Table of wash cycles*) by pressing the **P** button.
6. Select the wash options\* (see *Special wash cycles and options*.)
7. Start the cycle by pressing the Start/Pause button: The wash indicator light goes on and the time left to the end of the cycle appears on the display together with the wash-cycle number.
8. At the end of the cycle, the display shows **END**. Switch off the appliance by pressing the ON/OFF button, shut off the water tap and unplug the appliance from the electricity socket.
9. Wait a few minutes before removing the crockery to avoid getting burnt. Unload the racks, beginning with the lower level.

 - **The machine will switch off automatically during long periods of inactivity in order to minimise electricity consumption.**


 **AUTO WASH CYCLES\***: some models of dishwasher are equipped with a special sensor which can be used to assess the level of soiling and automatically select the most efficient and economic wash cycle accordingly. The duration of the auto wash cycles may vary due to the operation of the sensor.


## Changing a wash cycle in progress

If a mistake was made in the wash-cycle selection process, it is possible to change the cycle provided that it has only just begun: Once the wash cycle has started, in order to change the wash cycle switch off the machine by pressing and holding the ON/OFF/Reset button. Switch it back on using the same button and select the desired wash cycle and options.

## Adding extra crockery

Press the Start/Pause button and open the door, taking care to avoid the escaping steam. Then place the crockery inside the dishwasher. Press the Start/Pause button: The cycle will start again after a long beep has been emitted.

 If the delayed start has been set, at the end of the countdown the wash cycle will not start. It will stay in Pause mode.

 Press the Start/Pause button to pause the machine; the wash cycle is stopped.

At this stage the wash cycle cannot be changed.

## Accidental interruptions

If the door is opened during the wash cycle or there is a power cut, the cycle stops. It starts again from the point at which it was interrupted once the door has been shut or the electricity supply restored.

## Measuring out the detergent

**A good wash result also depends on the correct amount of detergent being used. Exceeding the stated amount does not result in a more effective wash and increases environmental pollution.**

**Based on how soiled the items are, the amount can be adjusted to individual cases using powder or liquid detergent.**

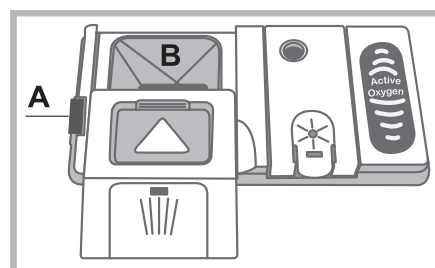
**In the case of normally soiled items, use approximately either 35 gr (powder detergent) or 35 ml (liquid detergent). If tablets are used, one tablet will be enough.**

**If the crockery is only lightly soiled or if it has been rinsed with water before being placed in the dishwasher, reduce the amount of detergent used accordingly.**

**For good washing results also follow the instructions shown on the detergent box.**

**For further questions please ask the detergent producers' Advice Offices.**

**To open the detergent dispenser use the opening device "A".**



**Introduce the detergent into the dry dispenser "B" only. Place the amount of detergent for pre-washing directly inside the tub.**

1. When measuring out the detergent refer to the Table of wash cycles to add the proper quantity. Compartment **B** comprises a level showing the maximum quantity of liquid or powder detergent that can be added to each cycle.

2. Remove detergent residues from the edges of the dispenser and close the cover until it clicks.

3. Close the lid of the detergent dispenser by pulling it up until the closing device is secured in place.

The detergent dispenser automatically opens up at the right time according to the wash cycle.

If all-in-one detergents are used, we recommend using the TABS option, because it adjusts the cycle so that the best washing and drying results are always achieved.

 **Only use detergent which has been specifically designed for dishwashers.**

**DO NOT USE washing-up liquid.**

**Using excessive detergent may result in foam residue remaining in the machine after the cycle has ended.**

**The use of tablets is only recommended for models which offer the MULTI-FUNCTIONAL TABLETS option.**








**To achieve the best results from each washing and drying cycle, powder detergent, liquid rinse aid and salt should be used.**

# Wash cycles

EN

Wash-cycle data is measured under laboratory conditions according to European Standard EN 50242.  
**Based on the different conditions of use, the wash-cycle duration and data can change.**

**⚠ The number and type of wash cycles and options may vary depending on the dishwasher model.**

Wash Cycle	Drying	Options	Wash Cycle Duration	Water Consumption (l/cycle)	Energy Consumption (kWh/cycle)
1. Eco	Yes	Delayed start – Tabs – Half Load	03:10'	9,0	0,93
2. Intensive 	Yes	Delayed start – Tabs – Half Load	02:00' - 03:10'	14,0 - 15,5	1,50 - 1,80
3. Normal 	Yes	Delayed start – Tabs – Half Load	01:30' - 02:30'	14,5 - 16,0	1,20 - 1,35
4. Delicates 	Yes	Delayed start – Tabs – Half Load	01:40'	11,0	1,10
5. Rapid 	No	Delayed start – Tabs	00:30'	9,0	0,50
6. Prewash 	No	Delayed start – Half Load	00:12'	4,5	0,01
7. Hygiene 	Yes	Delayed start	01:20'	10,0	1,25
8. Extra 	No	Delayed start - Extra Light (Half Load)	01:00'	11,0	n.a.

## Instructions on wash-cycle selection and detergent dosage

1. The ECO wash cycle is the standard cycle to which the energy label data refers. It can be used to wash crockery with a normal soil level and is the most efficient cycle in terms of energy and water consumption for this type of crockery.

29 gr/ml + 6 gr/ml\*\* – 1 Tab (\*\*Quantity of pre-washing detergent)

2. Heavily soiled dishes and pans (not to be used for delicate items). 35 gr/ml – 1 Tab

3. Normally soiled pans and dishes. 29 gr/ml + 6 gr/ml\*\* – 1 Tab

4. Cycle for delicate items, which are more sensitive to high temperatures 35 gr/ml – 1 Tab

5. Fast cycle to be used for slightly dirty dishes (ideal for 2 place settings) 25 gr/ml – 1 Tab

6. Pre-wash while awaiting completion of the load with the dishes from the next meal. No detergent.

7. High-temperature disinfecting cycle. Ideal to clean crockery and feeding bottles. 30 gr/ml – 1 Tab

8 Large crockery. (Do not use on delicate items) 35 gr/ml – 1 Tab

Standby consumption: Left-on mode consumption: 5,0 W - Off mode consumption: 0.5 W

n.a. non applicable

### Notes:

Optimum performance levels when using the "Rapid" cycle can be achieved by respecting the specified number of place settings.

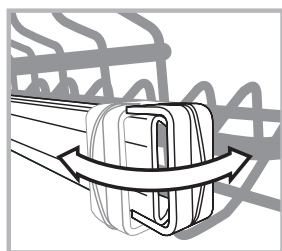
To reduce consumption even further, only run the dishwasher when it is full.

**Note for Test Laboratories:** for information on comparative EN testing conditions, please send an email to the following address: [assistenza\\_en\\_lvs@indesitcompany.com](mailto:assistenza_en_lvs@indesitcompany.com)

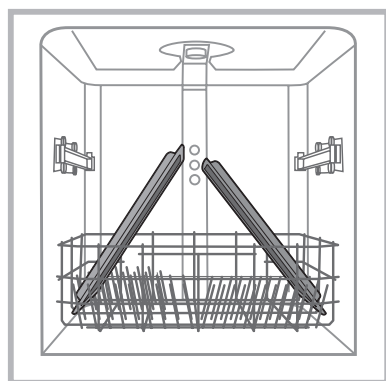
# Special wash cycles and Options

## Wash cycle EXTRA

EXTRA makes it possible to carry out a heavy-duty wash cycle of large crockery up to a max height of 53cm: baking pans, oven grids, dripping pans, hob grids, large saucepans, serving dishes, pizza dishes, stainless-steel hood filters. Remove the upper rack to load bulky crockery.



Release the two locks (right and left) and pull out the rack. When the upper rack is fitted, the locks must be always closed.



In order for the water to reach the crockery everywhere, arrange it as shown in the Figure.

The cycle can also be used on large delicate crockery using the option Extra Light (see Wash Options).

**Do not start the dishwasher without the upper rack using wash cycles other than EXTRA.**

**To carry out the wash cycle Extra and Extra with the Light\* option pour the detergent directly into the tub and not into the dispenser.**

## Wash options\*

**The OPTIONS may only be set, changed or reset after the wash cycle has been selected and before the Start/Pause button has been pressed.**

Only the options which are compatible with the type of wash cycle set may be selected. If an option is not compatible with the selected wash cycle (see Table of wash cycles), the corresponding symbol flashes rapidly 3 times.

If an option is selected which is not compatible with another (previously selected) option, it will flash 3 times and switch off, while the most recently selected option will remain active.

To deselect an option which has been set by mistake, press the corresponding button again.



## Half load/Extra light

The button has two functions: HALF LOAD and EXTRA LIGHT.

Select the wash cycle and press the HALF LOAD/EXTRA LIGHT button; the indicator light will go on. Press the HALF LOAD/EXTRA LIGHT button again to deselect this option.


### Half Load

If there are not many dishes to be washed, a half load cycle may be used in order to save water, electricity and detergent.

**The amount of detergent can be halved.**

### Extra Light

Compatible with the wash cycle EXTRA only. This option makes EXTRA suitable to large delicate crockery and items. This option includes no drying phase.

 Make sure the crockery and items are dishwasher-safe.




## Multi-functional tablets (Tabs)

This option optimises washing and drying results.

When using multi-functional tablets, press the MULTI-FUNCTIONAL TABLETS button; the corresponding symbol will light up. If the button is pressed again, the option will be deselected.

 **The “Multi-functional tablets” option results in a longer wash cycle.**

 **The use of tablets is only recommended for models having this option and it is not recommended with wash cycles which do not specify the use of multi-functional tablets.**



## Delayed start

It is possible to delay the start time of the cycle by a period of time between **1** and **24** hours:

1. Select the desired wash cycle and any other options required; press the DELAYED START button. The indicator light will go on. Use the same button to select when the wash cycle will start (h01, h02 etc.)
2. Confirm the selection using the START/PAUSE button to start the countdown.
3. Once this time has elapsed, the DELAYED START indicator light goes off and the wash cycle begins.

To deselect the DELAYED START option, press the DELAYED START button until the text **OFF** appears.

**The Delayed Start function cannot be set once a wash cycle has started.**

\* Only available in selected models.

# Rinse aid and refined salt

EN

**⚠ Only use products which have been specifically designed for dishwashers.**

**Do not use table/industrial salt or washing-up liquid. Follow the instructions given on the packaging.**

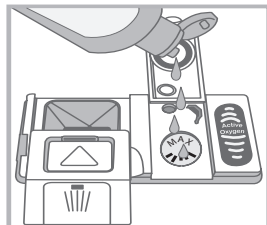
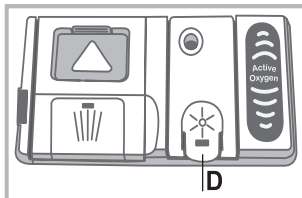
**⚠** If using a multi-functional product it is not necessary to add any rinse aid. However, **we recommend that you add salt, especially if you live in an area where the water is hard or very hard.** (Follow the instructions given on the packaging).

**⚠** If you do not add salt or rinse aid, the **LOW SALT\*** and **LOW RINSE AID\*** indicator lights will stay lit.

## Measuring out the rinse aid

Rinse aid makes it easier for the crockery to dry, as water runs off the surfaces more readily and therefore does not leave streaks or marks. The rinse aid dispenser should be filled:

- When the LOW RINSE AID indicator light\* on the control panel is illuminated, a reserve supply of rinse aid is still available for 1-2 cycles;



1. Open the dispenser "D" by pressing and pulling up the tab on the lid;
2. Carefully introduce the rinse aid as far as the maximum reference notch of the filling space - avoid spilling it. If this happens, clean the spill immediately with a dry cloth.
3. Press the lid down until you hear a click to close it.

**NEVER pour the rinse aid directly into the appliance tub.**

## Rinse-aid quantity setting

If you are not completely satisfied with the drying results, you can adjust the quantity of rinse aid. Switch the dishwasher on and off using the ON/OFF button.

Press the Start/Pause button 3 times; switch on the machine using the ON/OFF button and access the adjustment menu - the rinse-aid indicator light is lit (set to factory level).

Select the level of rinse-aid supply using the P wash-cycle button P. (0 to 4 max.)

**Press the ON/OFF button to save the setting.**

If the rinse-aid level is set to ZERO, no rinse aid will be supplied. The LOW RINSE AID indicator light will not go on if you run out of rinse aid.

- If there are streaks on the crockery, set a low number (1-2).
- If there are drops of water or limescale marks, set a high number (3-4).

## Setting water hardness

Every dishwasher is equipped with a water softener which, by using refined salt designed specially for this type of appliance, supplies water without limescale which is then used to wash the crockery.

This dishwasher has a setting that helps reduce pollution and optimises washing performance in accordance with the water

hardness level in your area. Ask your local water supplier for this information.

- Switch on the dishwasher using the ON/OFF button, wait a few seconds and switch it off using the ON/OFF button. Hold down the Start/Pause button for min. 3 seconds; switch on the machine using the ON/OFF button and access the adjustment menu - the salt indicator light is lit.

- Select the desired level (1 to 5\* max. based on the dishwasher model) using the **P** button

(water softener set to medium level).

**Press the ON/OFF button to save the setting.**

Even if using multi-functional tablets, fill the salt dispenser.

Water Hardness Table				Average salt dispenser capacity duration**
level	°dH	°fH	mmol/l	months
1	0 - 6	0 - 10	0 - 1	7 months
2	6 - 11	11 - 20	1,1 - 2	5 months
3	12 - 17	21 - 30	2,1 - 3	3 months
4	17 - 34	31 - 60	3,1 - 6	2 months
5*	34 - 50	61 - 90	6,1 - 9	2/3 weeks

For values between 0°f and 10°f, we do not recommend the use of salt.

\* a setting of 5 may increase cycle duration.

\*\* 1 wash cycle per day.

(°dH = hardness measured in German degrees - °f = hardness measured in French degrees - mmol/l = millimoles per litre)

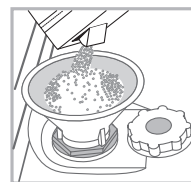
## Measuring out the refined salt

In order to obtain the best possible results from a wash cycle, make sure that the salt dispenser is never empty.

Refined salt removes limescale from the water, thus avoiding the formation of deposits on crockery.

The salt dispenser is located in the lower part of the dishwasher (see Description) and should be filled:

- When the green float\* cannot be seen by simply looking at the cap of the salt dispenser;
- When the LOW RINSE AID indicator light on the control panel is illuminated\*;



1. Remove the lower rack and unscrew the cap (anticlockwise).
2. The first time you do this: fill the water tank right up to its edge.
3. Position the funnel\* (see figure) and fill the salt dispenser up to the edge (approximately 1 kg). It is normal for a little water to leak out.

4. Remove the funnel\* and wipe any salt residues away from the opening; rinse the cap under running water and then screw it on, the head facing downwards so as to let the water flow out of the four slots (star-shaped arrangement) in the lower part of the cap (cap with green float\*).

**It is advisable to perform this procedure every time you add salt to the dispenser.**

Make sure the cap is screwed on tightly so that no detergent can get into the container during the wash cycle (this could damage the water softener beyond repair).

**⚠** When necessary, measure out the salt before a wash cycle so that any saline solution which has leaked out of the salt dispenser is removed.

\* Only available in selected models.

## Shutting off the water and electricity supplies

- Turn off the water tap after every wash cycle to avoid leaks.
- Always unplug the appliance when cleaning it and when performing maintenance work.

## Cleaning the dishwasher

- The external surfaces of the machine and the control panel can be cleaned using a non-abrasive cloth which has been dampened with water. Do not use solvents or abrasive products.
- Any marks on the inside of the appliance may be removed using a cloth dampened with water and a little vinegar.

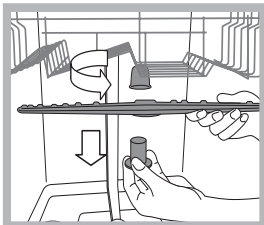
## Preventing unpleasant odours

- Always keep the door of the appliance ajar in order to avoid moisture from forming and being trapped inside the machine.
- Clean the seals around the door and detergent dispensers regularly using a damp sponge. This will avoid food becoming trapped in the seals, which is the main cause behind the formation of unpleasant odours.

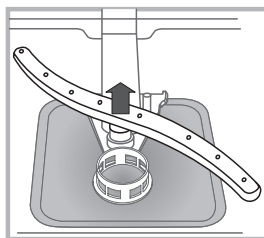
## Cleaning the sprayer arms

Food residue may become encrusted onto the sprayer arms and block the holes used to spray the water. It is therefore recommended that you check the arms from time to time and clean them with a small non-metallic brush.

The two sprayer arms may both be removed.



To remove the upper sprayer arm, turn the plastic locking ring in an anti-clockwise direction. The upper sprayer arm should be replaced so that the side with the greater number of holes is facing upwards.



The lower sprayer arm can be removed by pressing on the side tabs and pulling it upwards.

## Cleaning the water inlet filter\*

If the water hoses are new or have not been used for an extended period of time, let the water run to make sure it is clear and free of impurities before performing the necessary connections. If this precaution is not taken, the water inlet could become blocked and damage the dishwasher.

Clean the water inlet filter at the tap outlet regularly.

- Turn off the water tap.
- Unscrew the end of the water inlet hose, remove the filter and clean it carefully under running water.
- Re-place the filter and screw the water hose back into position.

## Cleaning the filters

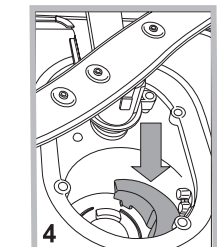
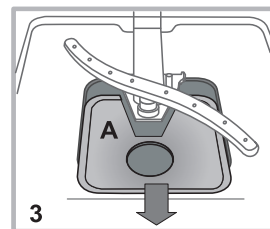
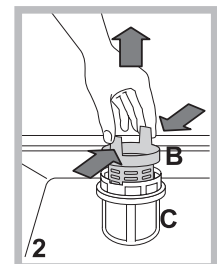
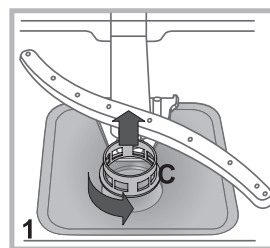
The filter assembly consists of three filters which remove food residues from the washing water and then recirculate the water. They should be cleaned if you wish to achieve the best results in every wash.

Clean the filters regularly.

The dishwasher should not be used without filters or if the filter is loose.

- After several washes, check the filter assembly and if necessary clean it thoroughly under running water, using a non-metallic brush and following the instructions below:

1. Turn the cylindrical filter **C** in an anti-clockwise direction and pull it out (*fig. 1*).
2. Remove the cup filter **B** by exerting a slight pressure on the side flaps (*fig. 2*);
3. Slide out the stainless-steel plate filter **A**. (*fig. 3*).
4. Inspect the trap and remove any food residues. **NEVER REMOVE** the wash-cycle pump protection (*black detail*) (*fig. 4*).



After cleaning the filters, re-place the filter assembly and fix it in position correctly; this is essential for maintaining the efficient operation of the dishwasher.

## Leaving the machine unused for extended periods

- Disconnect the appliance from the electricity supply and shut off the water tap.
- Leave the door of the appliance ajar.
- When you return, run a wash cycle when the dishwasher is empty.

\* Only available in selected models.

# Troubleshooting

EN

Whenever the appliance fails to work, check for a solution from the following list before calling for Assistance.

<b>Problem:</b>	<b>Possible causes / Solutions:</b>
<b>The dishwasher does not start or cannot be controlled.</b>	<ul style="list-style-type: none"> <li>• Switch off the appliance by pressing the ON/OFF button, switch it back on after approximately one minute and reset the program.</li> <li>• The appliance has not been plugged in properly.</li> <li>• The dishwasher door has not been shut properly.</li> </ul>
<b>The door won't close.</b>	<ul style="list-style-type: none"> <li>• The lock was released. Strongly push the door until a "clacking" noise is heard.</li> </ul>
<b>No water drains out from the dishwasher.</b>	<ul style="list-style-type: none"> <li>• The dishwasher cycle has not yet finished.</li> <li>• The water inlet hose is bent (see Installation).</li> <li>• The drain duct is blocked.</li> <li>• The filter is clogged up with food residues.</li> </ul>
<b>The dishwasher makes excessive noise.</b>	<ul style="list-style-type: none"> <li>• The dishes are rattling against each other or against the sprayer arms.</li> <li>• Excessive foam presence: the detergent has not been measured out correctly or it is not suitable for use in dishwashers. (see Start-up and use).</li> </ul>
<b>The dishes and glasses are covered in a white film or limescale deposits.</b>	<ul style="list-style-type: none"> <li>• The level of the refined salt is low or the dosage setting is not suited to the hardness of the water (see Rinse aid and salt).</li> <li>• The lid on the salt dispenser is not closed properly.</li> <li>• The rinse aid has been used up or the dosage is too low.</li> </ul>
<b>The dishes and glasses are streaked or have a bluish tinge.</b>	<ul style="list-style-type: none"> <li>• The rinse aid dosage is too high.</li> </ul>
<b>The crockery has not been dried properly.</b>	<ul style="list-style-type: none"> <li>• A wash cycle without a drying programme has been selected.</li> <li>• The rinse aid has been used up or the dosage is too low (see Rinse aid and salt).</li> <li>• The rinse aid dispenser setting is not high enough.</li> <li>• The crockery is made from non-stick material or plastic.</li> </ul>
<b>The dishes are not clean.</b>	<ul style="list-style-type: none"> <li>• The racks are overloaded (see Loading the racks).</li> <li>• The crockery has not been arranged well.</li> <li>• The sprayer arms cannot move freely.</li> <li>• The wash cycle is too gentle (see Wash cycles).</li> <li>• Excessive foam presence: the detergent has not been measured out correctly or it is not suitable for use in dishwashers. (see Start-up and use).</li> <li>• The lid on the rinse aid compartment has not been shut correctly.</li> <li>• The filter is dirty or blocked (see Care and maintenance).</li> <li>• The refined salt level is low (see Rinse aid and salt).</li> </ul>
<b>The dishwasher does not take any water in - Tap shut-off alarm.</b>	<ul style="list-style-type: none"> <li>• There is no water in the mains supply.</li> <li>• The water inlet hose is bent (see Installation.)</li> <li>• Turn on the tap and the appliance will start after a few minutes.</li> </ul>
(indicator light ON/OFF flashing; H2O displayed; F 6 appears after a few seconds).	<ul style="list-style-type: none"> <li>• The appliance stopped because no action was taken when the beep sounded*. Switch off the machine using the ON/OFF button, turn on the tap and switch the machine back on after a few seconds by pressing the same button. Re-program the appliance and restart the wash cycle.</li> </ul>

\* Only available in selected models.

FR

Français, 15

# DFP 58T94

## Sommaire

### Fiche de produit, 16

### Précautions et conseils, 17-18

Sécurité générale  
Mise au rebut  
Economies et respect de l'environnement  
Service

### Installation, 19-20

Mise en place et mise à niveau  
Raccordements eau et électricité  
Conseils pour le premier lavage  
Caractéristiques techniques

### Description de l'appareil, 21

Vue d'ensemble  
Tableau de bord

### Charger les paniers, 22-23

Panier inférieur  
Panier à couverts  
Panier supérieur  
Clayettes rabattables  
Régler la hauteur du panier supérieur  
Vaisselle non appropriée

### Mise en marche et utilisation, 24

Mettre en marche le lave-vaisselle  
Charger le produit de lavage

### Programmes, 25

Tableau des programmes

### Programmes spéciaux et Options, 26

### Produit de rinçage et sel régénérant, 27

Charger le produit de rinçage  
Charger le sel régénérant

### Entretien et soin, 28

Coupure de l'arrivée d'eau et de courant  
Nettoyer le lave-vaisselle  
Eviter les mauvaises odeurs  
Nettoyer les bras de lavage  
Nettoyage du filtre d'entrée d'eau  
Nettoyer les filtres  
En cas d'absence pendant de longues périodes


### Anomalies et remèdes, 29

# Fiche de produit

FR

Fiche de produit	
Marque	<b>INDESIT</b>
Modèle	<b>DFP 58T94</b>
Capacité nominale dans un environnement standard (1)	14
Classe énergétique sur une échelle de A+++ (faible consommation) à D (consommation élevée)	A++
Consommation d'énergie par année en kWh (2)	265.0
Consommation d'énergie du cycle de lavage standard en kWh	0.93
Consommation d'énergie en mode "off" en W	0.5
Consommation d'énergie en mode "on" en W	5.0
Consommation d'eau par an en litres (3)	2520.0
Classe d'efficacité du séchage sur une échelle de G (efficacité minimum) à A (efficacité maximum)	A
Durée du programme pour un cycle de lavage standard en minutes	190
Durée du mode "on" en minutes	10
Émissions acoustiques dans l'air, exprimées en dB(A) re 1 pW	44
Encastrable	Non
<b>Remarque</b>	
1) Les informations sur l'étiquette et sur la fiche se rapportent au cycle de lavage standard. Ce programme convient pour laver une vaisselle normalement sale, et il s'agit des programmes les plus efficaces en termes de consommation combinée d'eau et d'énergie. Le cycle de lavage standard correspond au cycle éco.	
2) Sur la base de 280 cycles de lavage standard avec une alimentation en eau froide et une consommation en modes à faible puissance. La consommation réelle d'énergie dépend des conditions d'utilisation de l'appareil.	
3) Sur la base de 280 cycles de lavage standard. La consommation réelle d'énergie dépend des conditions d'utilisation de l'appareil.	



 Cet appareil a été conçu et fabriqué conformément aux normes internationales de sécurité. Ces consignes sont fournies pour des raisons de sécurité, il faut les lire attentivement.

Conserver ce mode d'emploi pour pouvoir le consulter à tout moment. En cas de vente, de cession ou de déménagement, s'assurer qu'il accompagne bien l'appareil.

Lire attentivement les instructions : elles fournissent des conseils importants sur l'installation, l'utilisation et la sécurité de l'appareil.

Cet appareil est conçu pour un usage domestique ou autres applications similaires, telles que :

- lieux aménagés en espace cuisine pour le personnel de magasins, bureaux et autres lieux de travail ;
- fermes ;
- utilisation par les clients d'hôtels, de motels ou autres locaux de type résidentiel ;
- chambres d'hôtes.

## Sécurité générale

- Cet électroménager n'est pas destiné à être utilisé par des personnes (enfants compris) dont les capacités physiques, sensorielles ou mentales sont réduites ou qui ne disposent pas des connaissances ou de l'expérience nécessaires, à moins qu'elles n'aient été formées et encadrées pour l'utilisation de cet appareil par une personne responsable de leur sécurité.
- Les enfants doivent être surveillés par un adulte pour éviter qu'ils ne jouent avec l'appareil.
- Cet appareil est conçu pour un usage de type non professionnel à l'intérieur d'une habitation.
- Cet appareil est destiné au lavage de vaisselle à usage domestique, il ne doit être utilisé que par des adultes et selon les instructions reportées dans cette notice.
- Ne pas installer l'appareil à l'extérieur, même dans un endroit protégé, car il est extrêmement dangereux de l'exposer à la pluie et aux orages.
- Ne pas toucher au lave-vaisselle pieds nus.
- Ne jamais tirer sur le câble pour débrancher la fiche de la prise de courant.
- Fermer le robinet de l'eau et débrancher la fiche de la prise de courant avant d'effectuer tous travaux de nettoyage et d'entretien.
- En cas de panne, éviter à tout prix d'accéder aux mécanismes internes pour tenter une réparation.
- Ne pas s'appuyer à la porte ouverte ou s'y asseoir : l'appareil pourrait basculer.
- Ne pas garder la porte ouverte pour éviter de buter contre elle en risquant de se faire mal.

- Garder les produits de lavage et de rinçage hors de la portée des enfants.
- Les emballages ne sont pas des jouets pour enfants.

## Mise au rebut

- Mise au rebut du matériel d'emballage : se conformer aux réglementations locales de manière à ce que les emballages puissent être recyclés.
- La directive européenne 2012/19/EU sur les déchets d'équipements électriques et électroniques (DEEE), prévoit que les électroménagers ne peuvent pas être traités comme des déchets solides urbains normaux. Les appareils usagés doivent être collectés séparément afin d'optimiser le taux de récupération et le recyclage des matériaux qui les composent et réduire l'impact sur la santé humaine et l'environnement. Le symbole de la poubelle barrée est appliqué sur tous les produits pour rappeler qu'ils font l'objet d'une collecte sélective. Pour tout autre renseignement sur la collecte des électroménagers usés, prière de s'adresser au service public préposé ou au vendeur.

## Economies et respect de l'environnement

### Faire des économies d'eau et d'électricité

- Ne faire fonctionner le lave-vaisselle que quand il est rempli au maximum de sa capacité. Dans l'attente de remplir l'appareil, lancer le cycle de Trempage pour éviter la formation de mauvaises odeurs (*voir Programmes*).
- Sélectionner un programme adapté au type de vaisselle et à son degré de salissure, consulter pour cela le Tableau des programmes :
  - pour de la vaisselle normalement sale, choisir le programme Eco (économique), il limite la quantité d'eau et d'électricité utilisée.
  - pour une quantité réduite de vaisselle, choisir l'option Demi-charge\* (*voir Mise en marche et utilisation*).
- Si le contrat de fourniture d'électricité prévoit des tranches horaires à prix réduit, effectuer les lavages pendant ces heures creuses. L'option Départ différé\* (*voir Mise en marche et utilisation*) peut vous aider à organiser vos lavages dans ce sens.

\* Présent uniquement sur certains modèles.

### Produits de lavage sans phosphates, sans chlore et aux enzymes

- Il est vivement conseillé d'utiliser des produits de lavage sans phosphates et sans chlore, plus indiqués pour la protection de l'environnement.
- Les enzymes développent une action particulièrement efficace à des températures avoisinant 50°C, les produits de lavage aux enzymes permettent donc de sélectionner des lavages à de basses températures et d'obtenir les mêmes résultats qu'à une température de 65°C.
- Pour bien doser le produit de lavage, il faut tenir compte des indications du fabricant, de la dureté de l'eau, de la quantité de vaisselle et de son degré de salissure pour éviter tout gaspillage. Bien que biodégradables, les produits de lavage contiennent des éléments qui altèrent l'équilibre de la nature.

## Service

### Avant d'appeler le service d'assistance technique:

- Vérifier s'il est possible de résoudre l'anomalie soi-même (*voir Anomalies et remèdes*).
- Faire repartir le programme pour s'assurer que l'inconvénient a été résolu.
- Si ce n'est pas le cas, contacter un Service d'Assistance Technique agréé.

 **Ne jamais faire appel à des techniciens non agréés.**

### Communiquer:

- le type d'anomalie;
- le modèle de l'appareil (Mod.);
- le numéro de série (S/N).

Ces informations figurent sur la plaque signalétique apposée sur l'appareil (*voir Description de l'appareil*).

**⚠** En cas de déménagement, transporter l'appareil verticalement; si besoin est, l'incliner sur le dos.

## Mise en place et mise à niveau

1. Déballez l'appareil et s'assurer qu'il n'a pas été endommagé pendant le transport. S'il est abîmé, ne pas le raccorder et contacter le revendeur.

2. Installer le lave-vaisselle de manière à ce que les côtés et la paroi arrière touchent aux meubles adjacents ou au mur. L'appareil peut être encastré sous un plan de travail continu\* (voir feuille de montage).

3. Installer le lave-vaisselle sur un sol plat et rigide. Compenser les irrégularités en vissant ou en dévissant les pieds avant jusqu'à ce que l'horizontalité de l'appareil soit parfaite. Une bonne horizontalité garantit la stabilité de l'appareil et supprime tout risque de vibrations, bruits et déplacements.

4\*. Pour régler la hauteur du pied arrière, agir sur la douille rouge à six pans située dans la partie avant du lave-vaisselle, en bas et au milieu, à l'aide d'une clé mâle à six pans, ouverture 8 mm. Tourner dans le sens des aiguilles d'une montre pour augmenter la hauteur et dans le sens inverse pour la diminuer. (voir feuille d'instructions jointe à la documentation)

## Raccordements eau et électricité

**⚠** L'adaptation des installations électriques et les travaux de plomberie de l'installation doivent être effectués par du personnel qualifié.

**⚠** Le lave-vaisselle ne doit pas écraser les tuyaux ou le câble d'alimentation électrique.

**⚠** Utiliser des tuyaux neufs pour effectuer le raccordement de l'appareil au réseau de distribution de l'eau. Ne pas réutiliser les anciens tuyaux.

Les tuyaux d'amenée et d'évacuation de l'eau et le câble d'alimentation électrique peuvent être orientés vers la droite ou vers la gauche pour simplifier l'installation.

### Raccord du tuyau d'amenée de l'eau

- A une prise d'eau froide : bien visser le tuyau d'amenée à un robinet à embout fileté 3/4 gaz ; avant de visser, faire couler l'eau jusqu'à ce qu'elle devienne limpide et dépourvue d'impuretés qui pourraient engorger l'appareil.
- A une prise d'eau chaude : en cas d'installation de chauffage centralisé (radiateurs), le lave-vaisselle peut être alimenté avec de l'eau chaude de réseau ne dépassant pas 60°C.

Visser le tuyau au robinet en procédant comme pour la prise d'eau froide.

**⚠** Si la longueur du tuyau d'amenée ne suffit pas, s'adresser à un magasin spécialisé ou à un technicien agréé (voir Assistance).

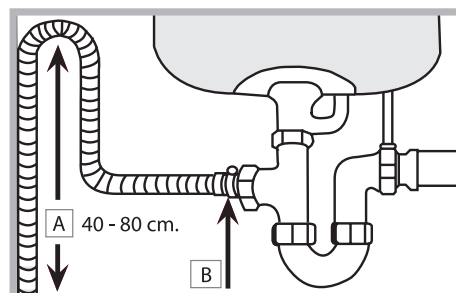
**⚠** La pression de l'eau doit être comprise entre les valeurs reportées dans le tableau des Caractéristiques techniques (voir ci-contre).

Attention à ce que le tuyau ne soit pas plié ou écrasé.

### Raccordement du tuyau d'évacuation de l'eau

Raccorder le tuyau d'évacuation, sans le plier, à une conduite d'évacuation ayant au moins 4 cm de diamètre.

Le tuyau d'évacuation doit être placé entre 40 et 80 cm au-dessus du sol ou du plan d'appui du lave-vaisselle (A).



Avant de raccorder le tuyau d'évacuation de l'eau au siphon de l'évier, retirer le bouchon en plastique (B).

### Sécurité anti-fuite

Pour éviter tout risque d'inondation, le lave-vaisselle :

- est équipé d'un dispositif qui coupe l'arrivée de l'eau en cas d'anomalie ou de fuite à l'intérieur de l'appareil.

Quelques modèles sont équipés d'un dispositif de sécurité supplémentaire **New Acqua Stop\***, qui garantit contre tout risque d'inondation même en cas de rupture du tuyau d'amenée de l'eau.



**ATTENTION : TENSION DANGEREUSE !**

Il ne faut en aucun cas couper le tuyau d'amenée de l'eau car il contient des parties sous tension.

### Raccordement électrique

Avant de brancher la fiche dans la prise de courant, s'assurer que :

- la prise est bien reliée à la terre et est conforme aux réglementations en vigueur ;
- la prise est bien apte à supporter la puissance maximale de la machine reportée sur la plaquette signalétique fixée à la contre-porte (voir chapitre Description du lave-vaisselle) ;
- la tension d'alimentation est bien comprise entre les valeurs figurant sur la plaque signalétique de la contre-porte ;
- la prise est bien compatible avec la fiche de l'appareil. Autrement, faire remplacer la fiche par un technicien agréé (voir Assistance) ; n'utiliser ni rallonges ni prises multiples.

**⚠** Après installation de l'appareil, le câble d'alimentation électrique et la prise de courant doivent être facilement accessibles.

**⚠** Le câble ne doit être ni plié ni trop écrasé.

**⚠** Afin d'éviter tout danger, faire changer le cordon d'alimentation abîmé, par le fabricant ou par son service après-vente. (Voir Assistance)

\* Présent uniquement sur certains modèles.


### Ruban anti-condensation\*

Après avoir encastré le lave-vaisselle, ouvrir la porte et coller le ruban adhésif transparent sous le plan en bois pour le protéger contre la formation de condensation.

### Conseils pour le premier lavage

Après l'installation, enlever les chevilles placées sur les paniers et les élastiques de blocage sur le panier supérieur (le cas échéant).



Juste avant le premier lavage, remplir complètement d'eau le réservoir à sel et ajouter environ 1 kg de sel (voir Produit de rinçage et sel régénérant) : il est tout à fait normal que de l'eau déborde. Sélectionner le degré de dureté de l'eau (voir Produit de rinçage et sel régénérant). - Après remplissage du réservoir à sel, le voyant SEL\* s'éteint.

 Le manque de remplissage du réservoir à sel, peut endommager l'adoucisseur d'eau et l'élément chauffant.

**Cet électroménager dispose de signaux sonores/bips** (selon le modèle de lave-vaisselle) qui signalent que la commande a été activée: allumage, fin de cycle etc..

**Tous les symboles/voyants/led lumineux du bandeau de commande/afficheur peuvent avoir des couleurs différentes, flasher ou être en fixe.** (selon le modèle de lave-vaisselle).

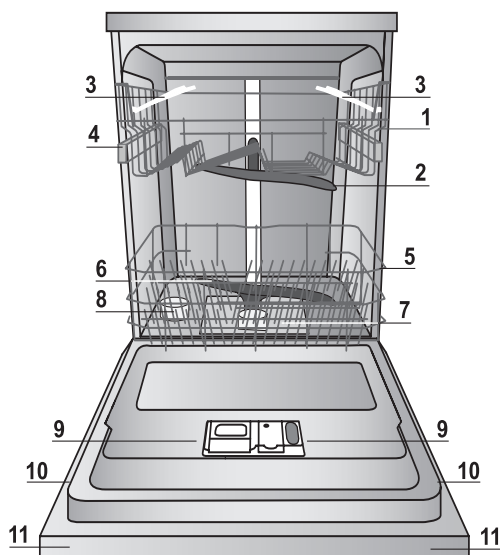
**Affichage d'informations utiles concernant le type de cycle sélectionné, la phase de lavage/séchage, le temps résiduel, la température etc.... etc...**

Caractéristiques techniques	
<b>Dimensions</b>	largeur 60 cm hauteur 85 cm profondeur 60 cm
<b>Capacité</b>	14couverts standard
<b>Pression eau d'alimentation</b>	0,05 ÷ 1 MPa (0,5 ÷ 10 bar) 7,25 – 145 psi
<b>Tension d'alimentation</b>	Voir étiquette des caractéristiques
<b>Puissance totale absorbée</b>	Voir étiquette des caractéristiques
<b>Fusible</b>	Voir étiquette des caractéristiques
	Cet appareil est conforme aux Directives Communautaires suivantes: - 2006/95/EC (Basse Tension) - 2004/108/EC (Compatibilité Electromagnétique) -2009/125/EC (Comm. Reg. 1016/2010) (Ecodesign) -97/17/EC (Etiquetage) -2012/19/EU (DEEE)
	

\* Présent uniquement sur certains modèles.

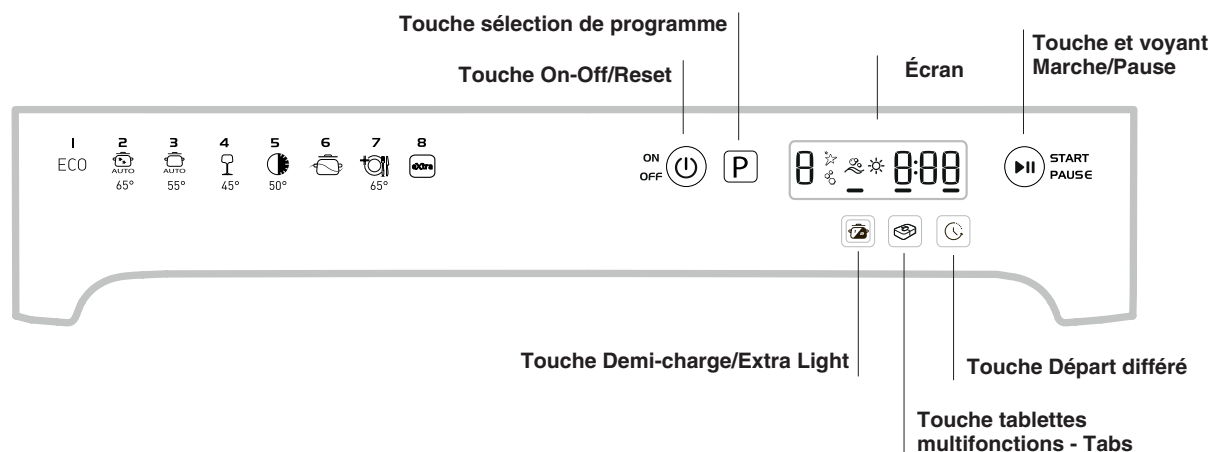
# Description de l'appareil

## Vue d'ensemble

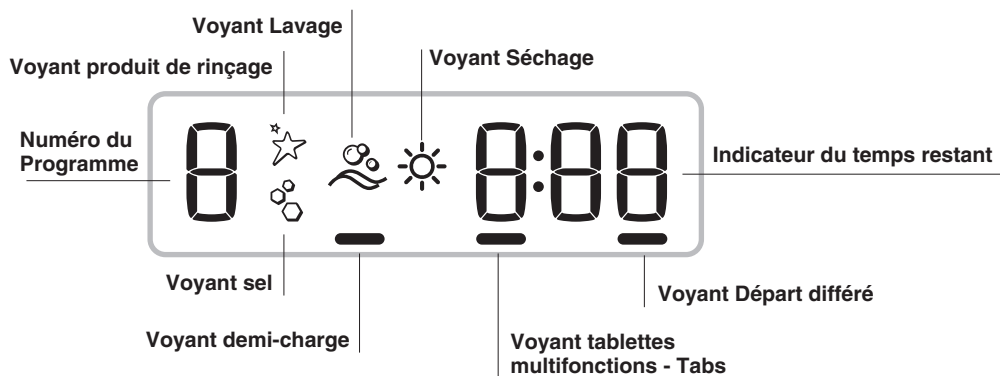


1. Panier supérieur
2. Bras de lavage supérieur
3. Clayettes rabattables
4. Réglage hauteur du panier
5. Panier inférieur
6. Bras de lavage inférieur
7. Filtre lavage
8. Réservoir à sel
9. Bacs à produit de lavage, réservoir à produit de rinçage et dispositif Oxygène Actif\*
10. Plaque signalétique
11. Bandeau de commandes\*\*\*

## Tableau de bord



## Écran



\*\*\* Uniquement pour modèles « tout intégré » \* Présent uniquement sur certains modèles.

**Le nombre et les types de programmes varient selon le modèle de lave-vaisselle.**

# Charger les paniers

FR

## Conseils

Avant de charger les paniers, débarrasser la vaisselle des déchets plus importants et vider les verres et autres récipients.

### Pas besoin de rincer préalablement à l'eau courante.

Ranger la vaisselle de manière à ce qu'elle ne bouge pas pour éviter tout risque de renversement, ranger les saladiers et les casseroles ouverture tournée vers le bas et les parties concaves ou convexes en position oblique pour permettre à l'eau d'atteindre toutes les surfaces et de s'écouler complètement. Veiller à ce que les couvercles, manches, poêles et plateaux ne gênent pas la rotation des bras de lavage. Placer les petits objets dans le panier à couverts.

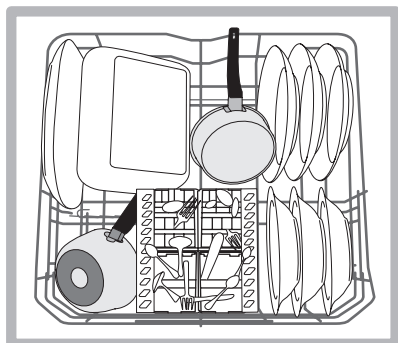
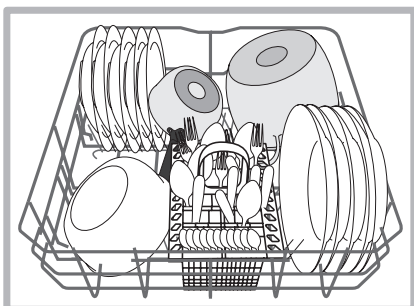
La vaisselle en plastique et les poêles anti-adhésives ont tendance à retenir les gouttes d'eau et leur degré de séchage sera par conséquent inférieur à celui de la vaisselle en céramique ou en acier.

Les objets légers (tels que les récipients en plastique) doivent être rangés, de préférence, dans le panier supérieur et placés de manière à ce qu'ils ne risquent pas de se déplacer.

Après avoir chargé le lave-vaisselle, s'assurer que les bras de lavage tournent librement.

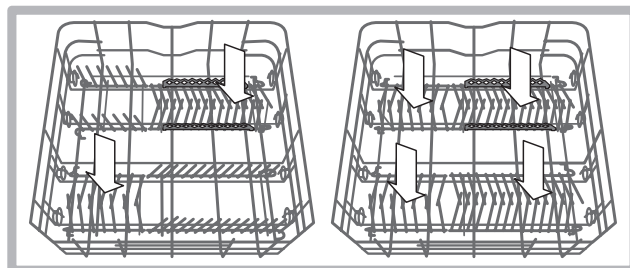
## Panier inférieur

Le panier inférieur peut contenir des casseroles, des couvercles, des assiettes, des saladiers, des couverts etc. Les assiettes et les couvercles de grandes dimensions doivent être rangés, de préférence, sur les côtés du panier.



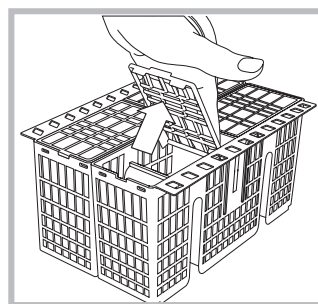
Il est conseillé de ranger la vaisselle très sale dans le panier inférieur car dans cette partie du lave-vaisselle, les jets d'eau sont plus énergiques et permettent d'obtenir de meilleures performances de lavage.

Certains modèles de lave-vaisselle sont pourvus de secteurs rabattables\*, qui peuvent être utilisés en position verticale pour accueillir les assiettes ou en position horizontale (abaissés) pour pouvoir charger plus facilement les casseroles et les saladiers.



## Panier à couverts

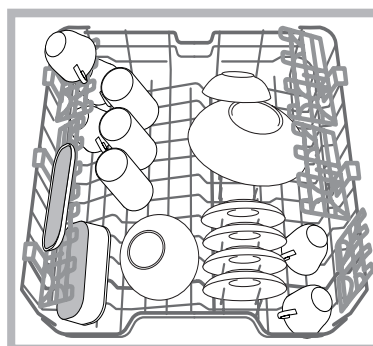
Le panier à couverts est équipé de grilles supérieures permettant de mieux ranger les couverts. Le panier à couverts non séparable doit être placé **obligatoirement** dans la partie avant du panier inférieur.



**⚠** Ranger les couteaux et les ustensiles de cuisine pointus et coupants dans le panier à couverts, pointes tournées vers le bas, ou, à plat, sur les clayettes rabattables du panier supérieur.

## Panier supérieur

Réservé au chargement de la vaisselle fragile et légère : verres, tasses, soucoupes, saladiers bas.



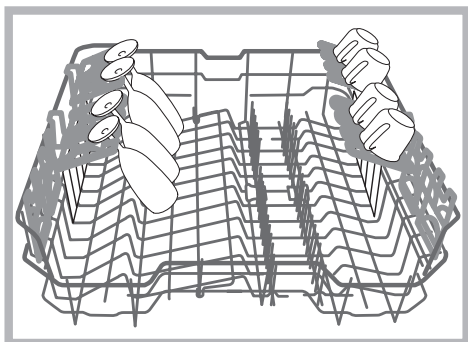
Certains modèles de lave-vaisselle sont pourvus de secteurs rabattables\*, qui peuvent être placés à la verticale pour ranger des assiettes à thé ou à dessert ou abaissés pour ranger des coupes et autres récipients pour aliments.

\*Présents uniquement sur certains modèles, ils peuvent varier au point de vue nombre et emplacement.

### Clayettes rabattables à inclinaison variable

Les clayettes latérales peuvent être placées à trois hauteurs différentes afin d'optimiser la disposition de la vaisselle dans le panier.

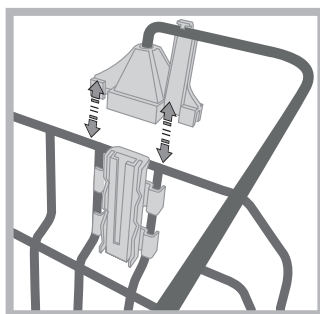
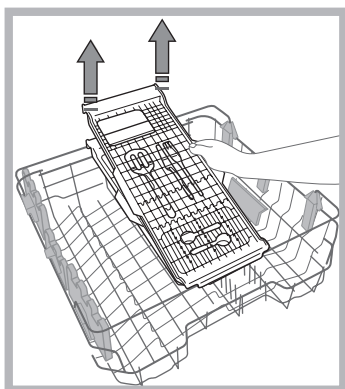
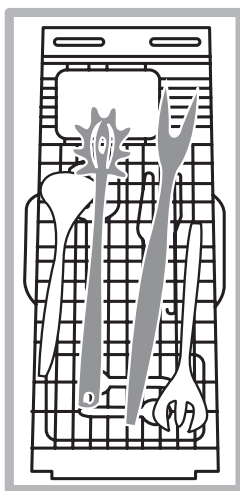
Les verres à pied peuvent être placés en position stable sur les clayettes rabattables en insérant la tige de leurs pieds dans les fentes prévues à cet effet.



### Plateau range-couverts\*

Certains modèles de lave-vaisselle sont équipés d'un plateau coulissant qui peut être utilisé pour laver les couverts ou les petites tasses. Éviter de charger sous le plateau de la vaisselle encombrante pour bénéficier de meilleures performances de lavage.

Le plateau à couverts est amovible. (voir figure).



Avant de charger le plateau, assurez-vous que les supports sont solidement accrochés au panier supérieur. (voir figure).

\* Présent uniquement sur certains modèles.

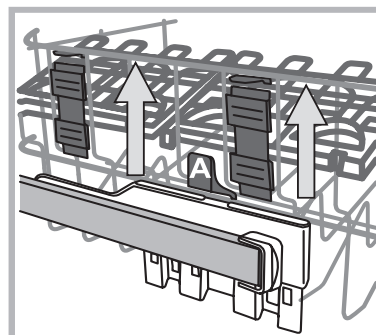
Le panier supérieur est réglable en hauteur selon les besoins : en position haute, il permet de ranger de la vaisselle encombrante dans le panier inférieur ; en position basse, il permet d'exploiter au mieux l'espace des clayettes et des secteurs rabattables en créant plus de place de rangement vers le haut.

### Régler la hauteur du panier supérieur

Pour faciliter le rangement de la vaisselle, il est possible de régler le panier supérieur en position haute ou basse.

**Régler de préférence la hauteur du panier quand ce dernier est VIDE.**

**Ne JAMAIS soulever ou abaisser le panier d'un seul côté.**



Si le panier est équipé de **Lift-Up\*** (voir figure), soulever le panier en le saisissant par les côtés et le déplacer vers le haut. Pour revenir à la position basse, appuyer sur les leviers (A) sur les côtés du panier et l'aider à descendre vers le bas.

### Vaisselle non appropriée

- Couverts et vaisselle en bois.
- Verres décorés et fragiles, vaisselle artisanale artistique ou ancienne. Leurs décors ne sont pas résistants.
- Parties en matière synthétique ne résistant pas à la température.
- Vaisselle en cuivre ou en étain.
- Vaisselle sale de cendre, cire, graisse lubrifiante ou encre.

Les décors sur verre, les pièces en aluminium ou argent risquent de changer de couleur et de blanchir en cours de lavage. Certains types de verre (les objets en cristal par exemple) deviennent opaques après de nombreux lavages.

### Endommagement du verre et de la vaisselle

#### Causes :

- Type de verre et procédé de fabrication du verre.
- Composition chimique du produit de lavage.
- Température de l'eau du programme de rinçage.

#### Conseils :

- N'utiliser que des verres et de la porcelaine garantis par le fabricant comme résistants au lavage en lave-vaisselle.
- Utiliser un produit de lavage délicat pour vaisselle.
- Sortir les verres et les couverts du lave-vaisselle le plus rapidement possible après la fin du programme.

# Mise en marche et utilisation

FR

## Mettre en marche le lave-vaisselle

1. Ouvrir l'arrivée d'eau.
2. Appuyer sur la touche ON-OFF.
3. Ouvrir la porte et doser le produit de lavage (*voir plus bas*).
4. Charger les paniers (*voir Charger les paniers*) et fermer la porte.
5. Sélectionner le programme selon le type de vaisselle et son degré de salissure (*voir tableau des programmes*) appuyer sur la touche **P**.
6. Sélectionner les options de lavages\* (*voir Programmes Spéciaux et Options*).
7. Appuyer sur la touche Marche/Pause pour démarrer : le voyant du lavage s'allume, le numéro du programme ainsi que le temps de lavage restant s'affichent.
8. L'affichage de **END** signale la fin du programme. Eteindre l'appareil en appuyant sur la touche ON-OFF, fermer le robinet de l'eau et débrancher la fiche de la prise de courant.
9. Attendre quelques minutes avant de sortir la vaisselle pour éviter de se brûler. Décharger les paniers en commençant par celui du bas.

**⚠** - Pour réduire sa consommation d'énergie, la machine s'éteint automatiquement dans certaines conditions de non-utilisation prolongée.

**⚠ PROGRAMMES AUTO\*** : un capteur spécial qui équipe certains modèles de lave-vaisselle peut évaluer le degré de salissure et sélectionner le lavage le plus efficace et le plus économique. La durée des programmes Auto peut varier du fait de l'intervention du capteur.

## Modifier un programme en cours

En cas d'erreur de sélection d'un programme, il est possible de le modifier, à condition qu'il vienne tout juste de démarrer : pour changer un cycle de lavage en cours, éteindre puis rallumer l'appareil par une pression prolongée sur la touche ON/OFF, sélectionner ensuite le nouveau programme et les options désirées.

## Introduire de la vaisselle en cours de lavage

Appuyer sur la touche Marche/Pause, ouvrir la porte en faisant attention à la vapeur chaude qui s'échappe et introduire la vaisselle. Appuyer sur la touche Marche/Pause : le cycle redémarre après un bip prolongé.

**⚠** En cas de sélection d'un départ différé, une fois le compte à rebours terminé, le cycle de lavage ne démarre pas, il reste en Pause.

**⚠** Toute pression sur la touche Marche/Pause pour mettre l'appareil en pause, stoppe le programme. Pendant cette phase, aucun changement de programme n'est possible.

## Interruptions accidentelles

En cas d'ouverture de la porte en cours de lavage ou de coupure de courant, le programme s'arrête. Il redémarre du point où il a été interrompu dès que le courant revient ou que la porte est refermée.

\* Présent uniquement sur certains modèles.

## Charger le produit de lavage

**Un bon résultat de lavage dépend aussi d'un bon dosage du produit de lavage. Un excès de produit de lavage ne lave pas mieux et pollue l'environnement.**

**Selon le degré de salissure, le dosage peut être adapté au cas par cas en utilisant un produit de lavage en poudre ou liquide.**

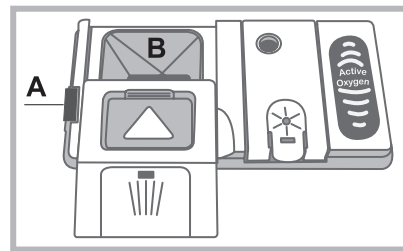
**En cas de vaisselle normalement sale, utiliser environ 35 g (produit de lavage en poudre) ou 35ml (produit liquide). En cas d'utilisation de tablettes, une seule suffit.**

**En cas de vaisselle peu sale ou précédemment rincée à l'eau, réduire considérablement la quantité de produit de lavage.**

**Pour un bon résultat de lavage, suivre également les instructions reportées sur l'emballage.**

**Pour toute autre demande de renseignements, s'adresser aux services d'aide aux consommateurs des fabricants de produits de lavage.**

**Pour ouvrir le distributeur de produit de lavage, actionner le dispositif d'ouverture « A »**



**Introduire le produit de lavage dans le bac « B » bien sec. La quantité de produit de lavage consacrée au pré-lavage doit être placée directement dans la cuve.**

**1.** Doser le produit de lavage en consultant le Tableau des programmes pour introduire une quantité appropriée. Dans le bac **B**, un indicateur de niveau indique quelle est la quantité maximale de de lavage, liquide ou en poudre, pouvant être utilisée pour chaque cycle.

**2.** Eliminer les résidus de produit de lavage sur les bords du bac et fermer le couvercle jusqu'au dé clic.

**3.** Fermer le couvercle du distributeur de produit de lavage en le poussant vers le haut jusqu'à enclenchement du dispositif de fermeture.

Le distributeur à produits de lavage s'ouvre automatiquement selon le programme, au moment voulu.

En cas d'utilisation de produits de lavage tout en un, utiliser l'option TABLETTES qui adapte le programme de lavage de manière à toujours obtenir les meilleurs résultats de lavage et de séchage possibles.

**⚠ N'utiliser que du produit de lavage spécial lave-vaisselle.**

**NE PAS UTILISER de produits pour laver la vaisselle à la main.**

**Une utilisation excessive de produit de lavage peut laisser des résidus de mousse en fin de cycle.**








**L'utilisation de tablettes de lavage n'est conseillée que pour les modèles qui prévoient l'option TABLETTES MULTIFONCTIONS.**

**Pour obtenir des performances de lavage et de séchage optimales, utiliser des produits de lavage en poudre, du liquide de rinçage et du sel.**



Les données des programmes sont mesurées dans des conditions de laboratoire selon la norme européenne EN 50242. **Selon les différentes conditions d'utilisation, la durée et les données des programmes peuvent être différentes.**

 **Le nombre ainsi que les types de programmes et d'options varient selon le modèle de lave-vaisselle.**

Programme	Séchage	Options	Durée du programme	Consommation d'eau (litre/cycle)	Consommation d'énergie (KWh/cycle)
1. Eco	Oui	Départ différé - Tabs - Demi-charge	03:10'	9,0	0,93
2. Intensif 	Oui	Départ différé - Tabs - Demi-charge	02:00' - 03:10'	14,0 - 15,5	1,50 - 1,80
3. Normal 	Oui	Départ différé - Tabs - Demi-charge	01:30' - 02:30'	14,5 - 16,0	1,20 - 1,35
4. Délicats 	Oui	Départ différé - Tabs - Demi-charge	01:40'	11,0	1,10
5. Rapide 30' 	Non	Départ différé - Tabs	00:30'	9,0	0,50
6. Trempage 	Non	Départ différé - Demi-charge	00:12'	4,5	0,01
7. Assainissant 	Oui	Départ différé	01:20'	10,0	1,25
8. Extra 	Non	Départ différé - Extra Light (Demi-charge)	01:00'	11	n.a.

#### Indications sur le choix des programmes et dosage du produit de lavage

- Le cycle de lavage ECO est le programme standard auquel se réfèrent les données de l'étiquette-énergie. Ce cycle est prévu pour le lavage de la vaisselle normalement sale et est le programme le plus efficace en termes de consommation d'énergie et d'eau pour ce type de vaisselle. 29 gr/ml + 6 gr/ml\*\* – 1 tablette (\*\*Quantité de produit du pré-lavage).
- Vaisselle et casseroles très sales (déconseillé pour la vaisselle fragile) 35 gr/ml – 1 tablette.
- Vaisselle et casseroles normalement sales. 29 gr/ml + 6 gr/ml\*\* – 1 tablette.
- Cycle pour vaisselle fragile ne supportant pas les hautes températures. 35 gr/ml – 1 tablette.
- Cycle rapide conseillé en cas de vaisselle peu sale (idéal pour 2 couverts) 25 gr/ml – 1 tablette.
- Lavage préalable dans l'attente de compléter le chargement au repas suivant. **Pas de produit de lavage.**
- Cycle assainissant aux hautes températures. Idéal pour laver la vaisselle et les biberons. 30 gr/ml – 1 tablette.
- Vaisselle de grande taille. *(Ne pas utiliser pour la vaisselle fragile)* 35 gr/ml – 1 tablette

Consommations en stand-by: Consommation en left-on mode : 5 W - Consommation en off-mode : 0,5 W.

n.a. non applicable

#### Remarque :

pour obtenir des performances optimales avec les programmes «Rapide 30' » il est conseillé de respecter le nombre de couverts indiqué.

Pour consommer moins, utiliser le lave-vaisselle pleine charge.

**Note pour les laboratoires d'essai :** pour toutes informations sur les conditions d'essai comparatif EN, s'adresser à : ASSISTENZA\_EN\_LVS@indesitcompany.com

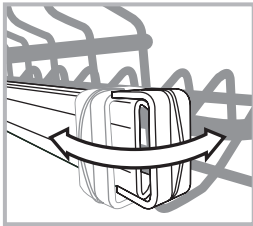
# Programmes spéciaux et Options

FR

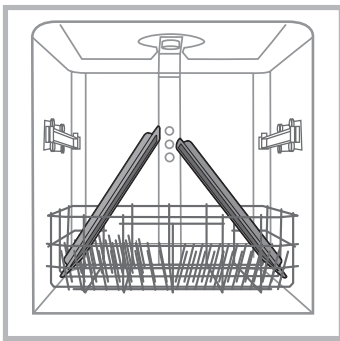
## Programme EXTRA

Le programme EXTRA permet d'effectuer le lavage intensif de la vaisselle de grande taille, jusqu'à une hauteur maximale de 53 cm : plaques et grilles de four, lèchefrites, grilles pour table de cuisson, casseroles de grande taille, plats et plats à pizza, filtres pour hottes en acier inox.

Pour charger la vaisselle de grande taille, il faut sortir le panier supérieur.



Ouvrir les butées installées à droite et à gauche et sortir le panier. Lorsque le panier supérieur a été inséré, les butées doivent être toujours fermées.



Ranger la vaisselle comme illustré dans la figure pour que le jet d'eau puisse atteindre toutes les parties qui sont à laver.

Le cycle peut être utilisé également pour la vaisselle fragile de grande taille en activant l'option Extra Light (voir Options de lavage).

**Ne pas mettre en fonction le lave-vaisselle sans le panier supérieur et avec des cycles de lavage différents de l'EXTRA.**

**Pour effectuer le Cycle Extra et Extra avec l'option Light\*, ne pas mettre le détergent dans le distributeur, mais directement dans la cuve.**

## Options de lavage\*

**La sélection, la modification ou l'annulation des OPTIONS n'est possible qu'après avoir choisi le programme de lavage et avant d'appuyer sur la touche Marche/Pause.**

Seules les options compatibles avec le programme choisi peuvent être sélectionnées. Si une option n'est pas compatible avec le programme sélectionné, (voir tableau programmes) le symbole ou la led correspondante clignote rapidement 3 fois.

En cas de sélection d'une option incompatible avec une option précédemment sélectionnée, celle-ci clignote 3 fois de suite puis s'éteint, tandis que la dernière sélection effectuée reste allumée.

Pour désactiver une option sélectionnée par erreur, appuyer à nouveau sur la touche correspondante.



## Demi-charge / Extra light

La touche a une double fonction : DEMI-CHARGE et EXTRA LIGHT.

Sélectionner le programme, appuyer sur la touche DEMI-CHARGE / EXTRA-LIGHT : le voyant s'allume.

Appuyer de nouveau sur la touche DEMI-CHARGE / EXTRA LIGHT pour désélectionner l'option.

### Demi-charge

Le programme Demi-charge permet de laver une quantité réduite de vaisselle et d'économiser sur l'eau et l'électricité et sur les produits de lavage.

**Il est possible de réduire de moitié la quantité de détergent.**

### Extra light

Compatible seulement avec le programme EXTRA.

Grâce à cette option, le programme EXTRA est indiqué pour la vaisselle et les objets fragiles de grande taille. La phase de séchage n'est pas prévue pour cette option.

**⚠** S'assurer que les objets et la vaisselle sont compatibles avec le lavage en lave-vaisselle.



## Tablettes Multifonctions (Tabs)

Cette option permet d'optimiser le résultat de lavage et de séchage.

En cas d'utilisation de tablettes multifonction, appuyer sur la touche TABLETTES MULTIFONCTION, le voyant correspondant s'allume. Pour désactiver cette option appuyer à nouveau sur la touche.

**⚠** L'option « Tablettes Multifonctions » prolonge la durée du programme.

**⚠** L'utilisation de tablettes n'est conseillée que si l'option correspondante est prévue, elle est déconseillée pour les programmes qui ne prévoient pas l'utilisation de tablettes multifonction.



## Départ différé

Possibilité de différer le départ du programme de 1 à 24 heures :

1. Sélectionner le programme de lavage et toute autre option possible, appuyer sur la touche DÉPART DIFFÉRÉ : le voyant s'allume. Sélectionner à l'aide de la même touche, à quel moment faire démarrer le cycle de lavage. (h01, h02, etc.)
2. Confirmer le choix à l'aide de la touche MARCHÉ/PAUSE, le compte à rebours commence.
3. A l'expiration du délai d'attente, le voyant de DÉPART DIFFÉRÉ s'éteint et le programme démarre. Pour désactiver un DÉPART DIFFÉRÉ, appuyer sur la touche DÉPART DIFFÉRÉ jusqu'à affichage de **OFF**.

**Aucune sélection de Départ différé n'est plus possible en cours de cycle.**

\* Présent uniquement sur certains modèles.

# Produit de rinçage et sel régénérant

**⚠ N'utiliser que des produits de lavage spéciaux lave-vaisselle.**

**Ne pas utiliser de sel alimentaire ou industriel ni de produits vaisselle pour lavage à la main.**

**Se conformer aux instructions reportées sur l'emballage.**

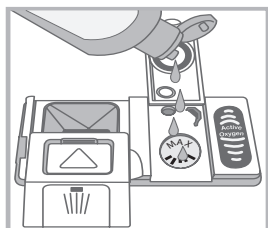
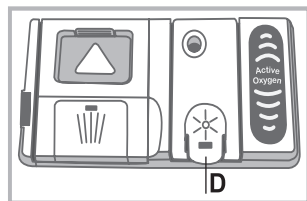
**⚠ En cas d'utilisation d'un produit multifonction, pas besoin d'ajouter de produit de rinçage mais nous conseillons par contre d'ajouter du sel, surtout en cas d'eau dure ou très dure. (Se conformer aux instructions reportées sur l'emballage).**

**⚠ Faute d'ajouter du sel ou du produit de rinçage, il est normal que les voyants SEL\* et PRODUIT DE RINÇAGE\* restent allumés.**

## Charger le produit de rinçage

Le produit de rinçage aide au séchage de la vaisselle car il fait glisser l'eau de la surface et évite ainsi la formation de traces ou de taches. Il faut remplir le réservoir à produit de rinçage :

- quand le voyant PRODUIT DE RINÇAGE\* du bandeau s'allume, une réserve de produit de rinçage pour 1-2 cycles est encore disponible ;



1. Ouvrir le réservoir « D » en poussant et en soulevant la languette sur le couvercle ;

2. Introduire le produit de rinçage avec précaution jusqu'au niveau maximal de l'ouverture de remplissage en évitant tout débordement. Si cela se produit, nettoyer aussitôt avec un chiffon sec.

3. Fermer le couvercle jusqu'au déclic.

**Ne JAMAIS verser le liquide de rinçage directement à l'intérieur de la cuve.**

## Régler la dose de produit de rinçage

Si le résultat du séchage n'est pas satisfaisant, le dosage du produit de rinçage peut être réglé. Appuyer sur la touche **ON/OFF** pour allumer et éteindre le lave-vaisselle.

Appuyer 3 fois de suite sur la touche Marche/Pause ; allumer le lave-vaisselle à l'aide de ON/OFF, on entre dans le menu de réglage et le voyant du produit de rinçage s'allume. (réglé sur le niveau usine)

Sélectionner le niveau de dosage du produit de rinçage à l'aide de la touche programme **P**. (de 0 à 4 Max.).

**Appuyer sur la touche ON/OFF pour sauvegarder le réglage effectué.**

Le niveau de dosage du produit de rinçage peut être réglé sur ZÉRO, dans ce cas, le produit de rinçage ne sera pas débité et le voyant produit de rinçage ne s'allumera pas en cas d'absence de ce dernier.

- si la vaisselle présente des traces, régler sur des chiffres plus bas (1-2).
- s'il y a des gouttes d'eau ou des taches de calcaire, le régler sur des chiffres plus élevés (3-4).

## Régler la dureté de l'eau

Chaque lave-vaisselle est équipé d'un adoucisseur d'eau qui, grâce à du sel régénérant spécial lave-vaisselle, fournit de l'eau de lavage sans calcaire.

Ce lave-vaisselle permet d'opérer un réglage pour réduire la pollution et optimiser les performances de lavage selon la dureté de l'eau. Se renseigner auprès de l'organisme distributeur de l'eau.

- Appuyer sur la touche ON/OFF pour allumer le lave-vaisselle, attendre quelques secondes puis éteindre le lave-vaisselle à l'aide de ON/OFF. Garder la touche Marche/Pause enfoncée pendant au moins 3 secondes ; allumer le lave-vaisselle à l'aide de ON/OFF, on entre dans le menu de réglage et le voyant sel s'allume.

- Sélectionner à l'aide de la touche **P**, le niveau désiré (de 1 à 5\* Max. selon le modèle de lave-vaisselle)

(l'adoucisseur d'eau est réglé sur un niveau moyen).

**Appuyer sur la touche ON/OFF pour sauvegarder le réglage effectué.**

En cas d'utilisation de tablettes de lavage multifonction, remplir tout de même le réservoir à sel.

Tableau de dureté de l'eau				Autonomie moyenne** réservoir à sel
niveau	°dH	°fH	mmol/l	mois
1	0 - 6	0 - 10	0 - 1	7 mois
2	6 - 11	11 - 20	1,1 - 2	5 mois
3	12 - 17	21 - 30	2,1 - 3	3 mois
4	17 - 34	31 - 60	3,1 - 6	2 mois
5*	34 - 50	61 - 90	6,1 - 9	2/3 semaines

De 0°f à 10°f nous vous conseillons de ne pas utiliser de sel.  
\* la sélection 5 peut prolonger la durée.  
\*\* avec 1 lavage par jour

(°dH = dureté en degrés allemands - °fH = dureté en degrés français - mmol/l = millimole/litre)

## Charger le sel régénérant

Pour obtenir de bons résultats de lavage, veiller à ce que le réservoir à sel ne soit jamais vide.

Le sel régénérant élimine le calcaire présent dans l'eau et évite ainsi qu'il ne se dépose sur la vaisselle.

Le réservoir à sel qui se trouve dans la partie inférieure du lave-vaisselle (voir Description) doit être rempli :

- quand le flotteur vert\* n'est plus visible à travers le couvercle du sel ;
- quand le voyant SEL\* du bandeau s'allume ;



1. Sortir le panier inférieur et dévisser le couvercle du réservoir dans le sens inverse des aiguilles d'une montre.

2. Lors de la première mise en service : remplir le réservoir d'eau à ras bord.

3. Utiliser l'entonnoir\* (voir figure) pour remplir le réservoir de sel à ras bord (1 kg environ). Il est tout à fait normal qu'il y ait

un peu d'eau qui déborde.

4. Enlever l'entonnoir\*, éliminer les résidus de sel sur le filetage. Avant de revisser le couvercle, il faut le rincer à l'eau courante en le plaçant tête en bas et en faisant couler l'eau à travers les quatre fentes en étoile situées dans la partie inférieure du couvercle. (bouchon avec flotteur vert\*)

**Nous conseillons d'effectuer cette opération à chaque chargement de sel.**

Fermer soigneusement le couvercle pour éviter que du produit de lavage pénètre à l'intérieur du réservoir pendant le lavage (cela pourrait endommager irrémédiablement l'adoucisseur).

**⚠ En cas de rajout de sel, effectuer cette opération juste avant un cycle de lavage pour éliminer aussitôt la solution saline qui a débordé.**

\* Présent uniquement sur certains modèles.

# Entretien et soin

FR

## Coupure de l'arrivée d'eau et du courant

- Fermer le robinet de l'eau après chaque lavage pour éviter tout risque de fuites.
- Débrancher la fiche de la prise de courant lors du nettoyage de l'appareil et pendant tous travaux d'entretien.

## Nettoyer le lave-vaisselle

- Pour nettoyer l'extérieur et le bandeau de commande, utiliser un chiffon humide non abrasif. N'utiliser ni solvants ni détergents abrasifs.
- Pour nettoyer la cuve intérieure et enlever toute tache, utiliser un chiffon imbibé d'eau additionnée d'un peu de vinaigre.

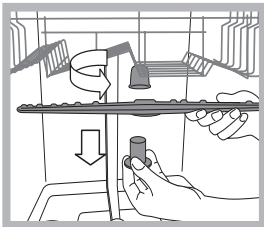
## Eviter les mauvaises odeurs

- Laisser toujours la porte entrouverte pour éviter toute stagnation d'humidité.
- Nettoyer régulièrement les joints d'étanchéité de la porte et des bacs à produits de lavage avec une éponge humide. On évitera ainsi les incrustations de déchets d'aliment qui sont les principaux responsables de la formation de mauvaises odeurs.

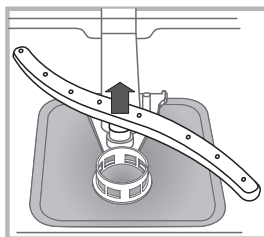
## Nettoyer les bras de lavage

Il peut arriver que des déchets restent collés aux bras de lavage et bouchent les trous de sortie de l'eau : mieux vaut les contrôler de temps en temps et les nettoyer avec une petite brosse non métallique.

Les deux bras de lavage sont tous deux démontables.



Pour démonter le bras supérieur, il faut dévisser sa bague en plastique en tournant dans le sens inverse des aiguilles d'une montre. Remonter le bras gicleur supérieur en veillant à ce que la face percée du plus grand nombre d'orifices soit bien orientée vers le haut.



Pour démonter le bras de lavage inférieur, pousser sur les languettes situées sur les côtés et tirer vers le haut.

## Nettoyage du filtre d'entrée d'eau\*

Si les tuyaux de l'eau sont neufs ou s'ils sont restés longtemps inutilisés, avant d'effectuer le raccordement, faire couler l'eau jusqu'à ce qu'elle devienne limpide et dépourvue d'impuretés. Faute de quoi, un engorgement pourrait se produire au point d'arrivée de l'eau et endommager le lave-vaisselle .

 Nettoyer, périodiquement le filtre d'entrée de l'eau situé à la sortie du robinet.

- Fermer le robinet de l'eau.
- Dévisser l'extrémité du tuyau d'arrivée de l'eau, retirer le filtre et le laver soigneusement à l'eau courante.
- Remettre le filtre en place et visser le tuyau.

## Nettoyer les filtres

Les trois filtres qui composent le groupe filtrant débarrassent l'eau de lavage des résidus d'aliments avant de la remettre en circulation : pour obtenir de bons résultats de lavage, il faut les nettoyer.

 Nettoyer les filtres régulièrement.

 Ne pas utiliser le lave-vaisselle sans filtres ou avec filtre mal fixé.

- Après quelques lavages, contrôler le groupe filtrant et, si nécessaire, le laver soigneusement à l'eau courante avec une petite brosse non métallique en procédant comme suit :

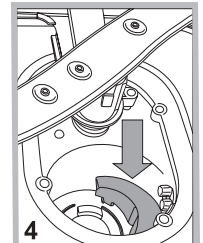
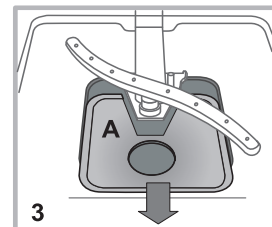
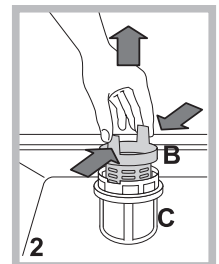
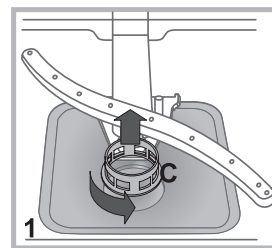
**1.** tourner le filtre cylindrique **C** dans le sens inverse des aiguilles d'une montre pour le sortir de son emplacement (*fig. 1*).

**2.** Exercer une légère pression sur les ailettes latérales du gobelet filtre **B** pour le faire sortir (*Fig. 2*) ;

**3.** Dégager le filtre inox **A**. (*fig. 3*).

**4.** Examiner la cavité et éliminer tout résidu de nourriture.

**NE JAMAIS RETIRER** la protection de la pompe de lavage (*pièce noire*) (*fig.4*).



Après avoir nettoyé les filtres, remettre soigneusement le groupe filtrant à sa place, cette opération est fondamentale pour un bon fonctionnement du lave-vaisselle.

## En cas d'absence pendant de longues périodes

- Débrancher les raccordements électriques et fermer le robinet de l'eau.
- Laisser la porte entrouverte.
- Au retour, effectuer un lavage à vide.

\* Présent uniquement sur certains modèles.

# Anomalies et remèdes

Si l'appareil présente des anomalies de fonctionnement, procéder aux contrôles suivants avant de prendre contact avec le service d'assistance technique.

Anomalies :	Causes / Solutions possibles :
<b>Le lave-vaisselle ne démarre pas ou n'obéit pas aux commandes</b>	<ul style="list-style-type: none"><li>• Eteindre l'appareil à l'aide de la touche ON-OFF, rallumer au bout d'une minute environ et sélectionner à nouveau le programme.</li><li>• La fiche n'est pas bien branchée dans la prise de courant.</li><li>• La porte du lave-vaisselle n'est pas bien fermée</li></ul>
<b>La porte ne ferme pas</b>	<ul style="list-style-type: none"><li>• La serrure est déclenchée ; pousser énergiquement sur la porte jusqu'au « clic ».</li></ul>
<b>Le lave-vaisselle ne vidange pas.</b>	<ul style="list-style-type: none"><li>• Le programme n'est pas encore terminé.</li><li>• Le tuyau de vidange de l'eau est plié (voir Installation).</li><li>• L'évacuation de l'évier est bouchée.</li><li>• Le filtre est bouché par des déchets de nourriture.</li></ul>
<b>Le lave-vaisselle est bruyant.</b>	<ul style="list-style-type: none"><li>• La vaisselle s'entrechoque ou butte contre les bras de lavage.</li><li>• Excès de mousse : le produit de lavage n'est pas bien dosé ou n'est pas approprié. (voir Mise en marche et utilisation).</li></ul>
<b>La vaisselle et les verres présentent des dépôts de calcaire ou une couche blanchâtre.</b>	<ul style="list-style-type: none"><li>• Il manque du sel régénérant ou son réglage n'est pas adapté à la dureté de l'eau (voir Produit de rinçage et sel).</li><li>• Le couvercle du réservoir à sel n'est pas bien fermé.</li><li>• Il n'y a plus de produit de rinçage ou son dosage est insuffisant.</li></ul>
<b>La vaisselle et les verres présentent des traces blanches ou des reflets bleuâtres.</b>	<ul style="list-style-type: none"><li>• Le dosage du produit de rinçage est excessif.</li></ul>
<b>La vaisselle n'est pas sèche.</b>	<ul style="list-style-type: none"><li>• Il y a eu sélection d'un programme sans séchage.</li><li>• Il n'y a plus de produit de rinçage ou son dosage est insuffisant (voir Produit de rinçage et sel).</li><li>• Le réglage du produit de rinçage n'est pas approprié.</li><li>• La vaisselle est en matériau anti-adhésif ou en plastique.</li></ul>
<b>La vaisselle n'est pas propre.</b>	<ul style="list-style-type: none"><li>• Les paniers sont trop chargés (voir Charger les paniers).</li><li>• La vaisselle n'est pas bien rangée.</li><li>• Les bras de lavage ne tournent pas librement.</li><li>• Le programme de lavage n'est pas assez puissant (voir Programmes).</li><li>• Excès de mousse : le produit de lavage n'est pas bien dosé ou n'est pas approprié. (voir Mise en marche et utilisation).</li><li>• Le couvercle du réservoir à produit de rinçage n'est pas bien fermé.</li><li>• Le filtre est sale ou bouché (voir Entretien et soin).</li><li>• Il manque du sel régénérant (voir Produit de rinçage et sel).</li></ul>
<b>Il n'y a pas d'arrivée d'eau - Alarme robinet fermé.</b> (le voyant ON/OFF clignote, l'écran affiche <b>H2O</b> et quelques secondes après il affiche <b>F 6</b> ).	<ul style="list-style-type: none"><li>• Il y a une coupure d'eau.</li><li>• Le tuyau d'arrivée de l'eau est plié (voir Installation).</li><li>• Ouvrir le robinet, l'appareil se met en marche au bout de quelques minutes.</li><li>• L'appareil s'est bloqué car personne n'a donné suite au signal acoustique*.<i>(*Présent uniquement sur certains modèles)</i></li></ul> <p>Eteindre l'appareil à l'aide de la touche ON/OFF, ouvrir le robinet et au bout de 20 secondes rallumer en appuyant à nouveau sur la même touche. Reprogrammer l'appareil et le remettre en marche.</p>

\* Présent uniquement sur certains modèles.

PT

Português, 30

**DFP 58T94**

### **Resumo**

#### **Ficha de produto, 31**

#### **Precauções e conselhos, 32**

Segurança geral

Eliminação

Economizar e respeitar o ambiente

#### **Instalação e assistência, 33-34**

Posicionamento e nivelamento

Ligações hidráulicas e eléctricas

Dados técnicos

Advertências para a primeira lavagem

Assistência

#### **Descrição do aparelho, 35**

Visão de conjunto

Painel de comandos

#### **Carregar os cestos, 36-37**

Cesto inferior

Cesto dos talheres

Cesto superior

Regulação do cesto superior

Louças não adequadas

#### **Início e utilização, 38**

Ligar a máquina de lavar louça

Carregar o detergente

#### **Programas, 39**

Tabela dos programas

#### **Programas especiais e opções, 40**

#### **Abrilhantador e sal regenerante, 41**

Carregar o abrilhantador

Carregar o sal regenerante

#### **Manutenção e cuidados, 42**

Excluir a água e a corrente eléctrica

Limpar a máquina de lavar louça

Evitar cheiros desagradáveis

Limpar os braços aspersores

Limpeza do filtro de entrada da água

Limpar os filtros

Longos períodos de ausência

#### **Anomalias e soluções, 43**

# Ficha de produto




PT

Ficha de produto	
Marca	INDESIT
Modelo	DFP 58T94
Capacidade nominal, em serviços de louça-padrão (1)	14
Classe de eficiência energética numa escala de A+++ (baixos consumos) a D (altos consumos)	A++
Consumo de energia anual em kWh (2)	265.0
Consumo de energia do ciclo de lavagem normal em kWh	0.93
Consumo, em termos de potência, em estado de desactivação em (W)	0.5
Consumo, em termos de potência, em estado inactivo em (W)	5.0
Consumo de água anual em litros (3)	2520.0
Classe de eficácia de secagem numa escala da G (eficácia mínima) a A (eficácia máxima)	A
Duração do programa para o ciclo de lavagem normal, em minutos 5)	190
Duração do estado inactivo expressa em minutos 6)	10
Emissão de ruído aéreo expressa em dB(A) re 1 pW7)	44
Produto de encastre	Não
Observações	
1) A informação constante na etiqueta e na tabela de características fazem referência ao programa normal de lavagem, este programa é adequado a lavar louça com um grau de sujidade normal e é o programa mais eficiente em termos de consumo combinado de energia e água.	
2) Baseado em 280 ciclos de lavagem normal com enchimento a água fria e no consumo dos modos de baixo consumo de energia. O consumo real de energia dependerá das condições de utilização do aparelho.	
3) Baseado em 280 ciclos de lavagem normal. O valor real do consumo de água dependerá do modo de utilização do aparelho.	

# Precauções e conselhos

PT

 O aparelho foi projectado e construído conforme as normas internacionais de segurança. Estas advertências são fornecidas por razões de segurança e devem ser lidas com atenção.

É importante conservar este manual para poder consultá-lo em qualquer momento. Em caso de venda, cessação ou mudança, certifique-se que o mesmo fique junto ao aparelho.

Ler atentamente as instruções: nelas estão presentes informações importantes sobre a instalação, o uso e a segurança.

Este aparelho foi projectado para o uso doméstico ou para aplicações simples, como por exemplo:

- áreas dedicadas à cozinha para funcionários em lojas, escritórios e outros ambientes de trabalho;
- casas de férias;
- uso por parte de clientes em hotéis, motéis e outros ambientes de tipo residencial;
- bed and breakfast.

## Segurança geral

- Este electrodoméstico não pode ser utilizado por pessoas (incluindo crianças) com reduzidas capacidades físicas, sensoriais ou mentais, ou com falta de experiência e conhecimento, a não ser que lhes seja fornecida supervisão ou instruções relativas ao uso por parte de uma pessoa responsável pela sua segurança.
- É necessária a supervisão de um adulto para evitar que as crianças brinquem com o electrodoméstico.
- O aparelho foi concebido para um uso de tipo não profissional dentro do ambiente doméstico.
- O aparelho deve ser utilizado para a lavagem de louças de utilização doméstica, exclusivamente por pessoas adultas e conforme as instruções escritas neste manual.
- Esta máquina de lavar louça não pode ser instalada ao ar livre, nem mesmo num lugar protegido por um telhado: é muito perigoso deixá-la exposta à chuva e aos temporais.
- Não toque na máquina com os pés descalços.
- Não retire a ficha da tomada de corrente puxando o cabo, mas segure a ficha.
- É necessário fechar a torneira da água e tirar a ficha da tomada da corrente eléctrica antes de efectuar operações de limpeza e manutenção.
- Em caso de avarias, jamais aceda aos mecanismos internos para tentar reparar sozinho.
- Não se apoie nem se sente sobre a porta aberta: o aparelho pode voltar-se.
- A porta não pode ficar aberta para evitar o perigo de tropeçar.
- Mantenha o detergente e o abrillantador fora do alcance das crianças.
- As embalagens não são brinquedos para crianças.

## Eliminação

- Eliminação do material de embalagem: respeite a normas locais, assim as embalagens poderão ser reaproveitadas.
- A directiva Europeia 2012/19/CE relativa aos resíduos de equipamentos eléctricos e electrónicos (REEE) prevê que os electrodomésticos não sejam eliminados no normal fluxo dos resíduos sólidos urbanos. Os aparelhos em fim de vida devem ser recolhidos separadamente para otimizar a taxa de recuperação e reciclagem dos materiais que os compõem e impedir potenciais danos à saúde e ao meio ambiente. O símbolo do cesto do lixo cancelado está indicado em todos os produtos para lembrar o dever de colecta selectiva. Para mais informações sobre a correcta eliminação dos electrodomésticos, os proprietários poderão contactar o serviço de colecta público ou os revendedores.

## Economizar e respeitar o ambiente

### Economizar água e energia

- Use a máquina de lavar louça somente com carga plena. Enquanto espera que a máquina fique cheia, previna os maus cheiros com o ciclo de Molho (*veja Programas*).
- Seleccione um programa adequado ao tipo de louças e ao grau de sujidade consultando a tabela dos programas:
- para louças normalmente sujas, utilize o programa Eco, que garante baixos consumos energéticos e de água.
  - se a carga for reduzida, utilize a opção Meia carga \* (*veja Início e • utilização*).
- Se o seu contrato de fornecimento de energia eléctrica previr faixas horárias de economia energética, efectue as lavagens nos horários com tarifa reduzida. A opção Início posterior \* (*veja Início e utilização*) pode ajudar a organizar as lavagens com base nos horários.

### Detergentes sem fosfatos, sem cloro e com enzimas

- Aconselha-se vivamente utilizar os detergentes sem fosfatos e sem cloro pois são os mais indicados para a tutela do meio ambiente.
- As enzimas desenvolvem uma acção particularmente eficaz com temperaturas próximas aos 50 °C, portanto com os detergentes com enzimas podem-se programar lavagens com baixas temperaturas e obter os mesmos resultados que se obteriam com lavagens a 65 °C.
- Doseie bem o detergente conforme as indicações do fabricante, a dureza da água, o grau de sujidade e a quantidade de louças para evitar desperdícios. Mesmo sendo biodegradáveis, os detergentes contêm elementos que alteram o equilíbrio da natureza.

\* Presente somente em alguns modelos.



**⚠** No caso de mudança mantenha o aparelho em posição vertical; se for necessário, deite-o para trás.

## Posicionamento e nivelamento

1. Desembale o aparelho e controle que não tenha sofrido danos durante o transporte. Se estiver danificado, não o acenda e contacte o revendedor.

2. Posicione a máquina de lavar louça fazendo aderir as laterais ou o fundo aos móveis adjacentes ou a uma parede. O aparelho pode ser encaixado por baixo de um plano de trabalho contínuo\* (*consulte a folha de Montagem*).

3. Posicione a máquina de lavar louça sobre um pavimento plano e rígido. Compense as irregularidades desparafusando ou parafusando os pés anteriores até que o aparelho se encontre em posição horizontal. Um nivelamento cuidadoso dá estabilidade e evita vibrações, ruídos e deslocamentos.

4\*. Para regular a altura do pezinho traseiro, actue na posterior, actue no casquilho hexagonal vermelho presente na parte inferior, dianteira, central da máquina de lavar louça, com uma chave hexagonal de 8 mm de abertura, girando no sentido horário para aumentar a altura e anti-horário para diminuí-la. (*veja a folha de instruções do encaixe em anexo à documentação*)

## Ligações hidráulicas e eléctricas

**⚠** A adaptação das instalações eléctricas e hidráulicas para a instalação deve ser efectuada somente por pessoal qualificado.

**⚠** A máquina de lavar louça não deve ficar apoiada sobre tubos ou sobre o cabo de alimentação eléctrica.

**⚠** O aparelho terá de ser conectado à rede de distribuição de água mediante tubos novos. Não usar tubos já existentes.

Os tubos de carregamento e de descarregamento da água e o cabo de alimentação eléctrica podem ser virados para a direita ou para a esquerda para consentir uma melhor instalação.

### Ligação do tubo de carregamento da água

- A uma torneira de água fria: aparafusar bem o tubo de carregamento a uma torneira com boca rosqueada de 3/4 gás; antes de parafusar, deixe correr a água até que esteja límpida para que as eventuais impurezas não obstruam o aparelho.
- A uma torneira de água quente: no caso de sistema centralizado de esquentador, a máquina de lavar louça poderá ser alimentada com água quente da rede desde que não ultrapasse os 60 °C.

**⚠** Aperte o tubo à torneira como descrito para a entrada de água fria.

**⚠** Se o comprimento do tubo de carregamento não for suficiente, contacte uma loja especializada ou um técnico autorizado (*consulte Assistência*).

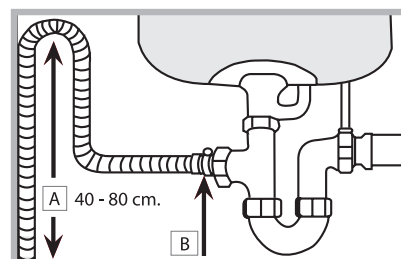
**⚠** A pressão da água deve estar incluída entre os valores indicados na tabela dos Dados técnicos (*veja ao lado*).

Preste atenção para que o tubo não esteja dobrado ou amassado.

### Ligação do tubo de descarregamento da água

Ligar o tubo de descarregamento, sem dobrá-lo, a um conduto de descarga com diâmetro mínimo de 4 cm.

O tubo de descarga deve estar a uma altura entre 40 e 80 cm do chão ou do plano de apoio da máquina de lavar louça (A).



Antes de conectar o tubo de descarregamento da água ao sifão do lavabo, remova a tampa de plástico (B).

### Segurança contra alagamentos

Para garantir que não se verifiquem alagamentos, a máquina de lavar louça:

- é equipada com um sistema que interrompe a entrada da água no caso de anomalias ou vazamentos no interior.

Alguns modelos dispõem de um dispositivo de segurança suplementar **New Acqua Stop\***, que garante a protecção contra alagamentos mesmo em caso de quebra do tubo de alimentação.



### ATENÇÃO: TENSÃO PERIGOSA!

O tubo de alimentação da água não deve ser cortado em nenhum caso: contém partes sob tensão.

### Ligação eléctrica

Antes de colocar a ficha eléctrica na tomada, certifique-se de que:

- a tomada tenha a ligação de terra e que esteja conforme às normas de lei;
- a tomada possa suportar a carga máxima de potência da máquina, indicada na placa das características colocada na contra porta (*consulte o capítulo Descrição da máquina de lavar louça*);
- a tensão de alimentação esteja incluída nos valores indicados na placa das características colocada na contra porta;
- a tomada seja compatível com a ficha do aparelho. Caso contrário, peça a substituição da ficha a um técnico autorizado (*consulte Assistência*); não use extensões ou tomadas múltiplas.

**⚠** Uma vez que a máquina estiver instalada, o cabo de alimentação eléctrica e a tomada deverão ser facilmente alcançáveis.

**⚠** O cabo não deve ficar dobrado ou comprimido.

**⚠** Caso o cabo de alimentação resultar danificado, a sua substituição terá de ser efectuada pelo fabricante ou pelo Serviço de Assistência Técnica para evitar qualquer tipo de risco. (*Veja a Assistência*).

### Fita contra a condensação\*


Depois de ter encaixado a máquina de lavar louça, abra a porta e cole a fita adesiva transparente embaixo da prateleira de madeira para protegê-la contra eventual condensação.



### Advertências para a primeira lavagem

Depois da instalação, remova os tampões posicionados nos cestos e os elásticos de retenção no cesto superior (*se presentes*).

Imediatamente antes da primeira lavagem, encha completamente de água o reservatório do sal e somente depois acrescente aproximadamente 1 kg de sal (*veja o capítulo Abrilhantador e sal regenerante*): é normal que a água saia do reservatório. Selecione o grau de dureza da água (*veja o capítulo Abrilhantador e sal regenerante*).

- Depois de ter deitado o sal, o indicador luminoso FALTA SAL\* irá desligar-se.

 O não enchimento do recipiente do sal, pode danificar o amaciador de água e do elemento aquecedor.

Dados técnicos	
<b>Dimensões</b>	largura 60 cm. altura 85 cm. profundidade 60 cm.
<b>Capacidade</b>	14 pessoas padrão
<b>Pressão da água na alimentação</b>	0,05 ÷ 1 MPa (0,5 ÷ 10 bar) 7,25 – 145 psi
<b>Tensão de alimentação</b>	Veja a placa das características
<b>Potência total absorvida</b>	Veja a placa das características
<b>Fusível</b>	Veja a placa das características
	Esta aparelhagem é em conformidade com as seguintes Directivas Comunitárias: -2006/95/EC (Baixa Tensão) -2004/108/EC (Compatibilidade Electromagnética) -2009/125/EC (Comm. Reg. 1016/2010) (Ecodesign) -97/17/EC (Aplicação de rótulos) -2012/19/CE (REEE)
	

A máquina emite sinais acústicos/tons (*conforme o modelo de máquina de lavar louça*) que avisam que o comando foi efectuado: ligação, fim de ciclo, etc.

Os símbolos/indicadores luminosos/leds presentes no painel de comandos/ecrã podem ser uma cor diferente, intermitentes ou de luz fixa. (*conforme o modelo de máquina de lavar louça*).

O ecrã mostra informações úteis relativas ao tipo de ciclo configurado, fase de lavagem/secagem, tempo restante, temperatura, etc.

## Assistência

### Antes de contactar a Assistência:

- Verifique se pode resolver sozinho a anomalia (*veja Anomalias e Soluções*).
- Reinicie o programa para controlar se o inconveniente foi resolvido.
- Em caso negativo, contacte o Serviço de Assistência Técnica Autorizado.

 **Nunca recorra a técnicos não autorizados.**

### Comunique:

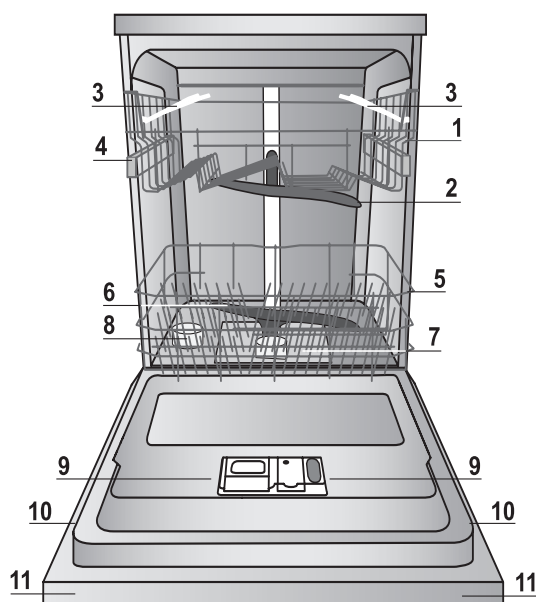
- o tipo de defeito;
- o modelo da máquina (Mod.);
- o número de série (S/N).

Estas informações encontram-se na placa de identificação situada no aparelho (*veja Descrição do Aparelho*).

\* Presente somente em alguns modelos.

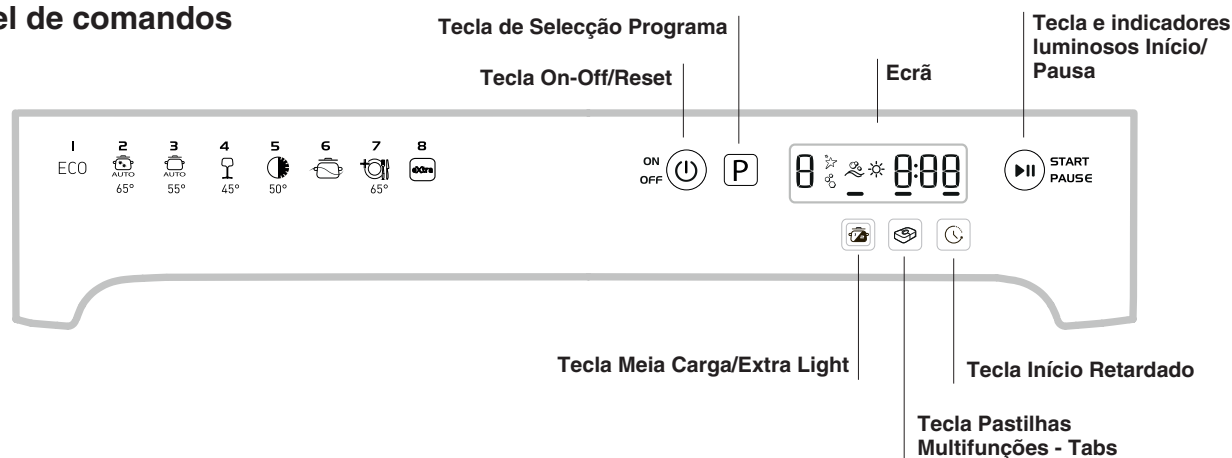
# Descrição do aparelho

## Visão de conjunto

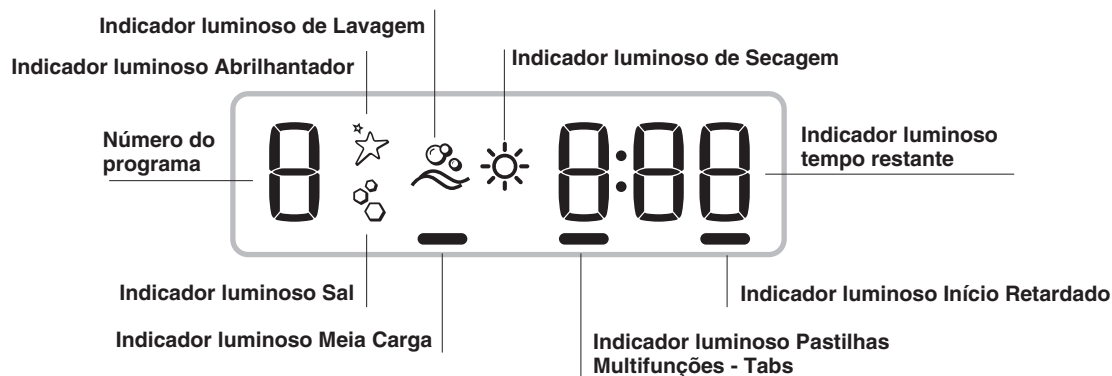


1. Cesto superior
2. Braço aspersor superior
3. Peças basculantes
4. Regulação da altura do cesto superior
5. Cesto inferior
6. Braço aspersor inferior
7. Filtro de lavagem
8. Reservatório do sal
9. Recipiente do detergente, reservatório do abrillantador e dispositivo Active Oxygen\*
10. Placa das características
11. Painel de comandos\*\*\*

## Painel de comandos



## Ecrã



\*\*\* Somente nos modelos totalmente encaixáveis.

\* Presente somente em alguns modelos.

O número e o tipo de programas e as opções variam conforme o modelo de máquina de lavar louça.

# Carregar os cestos

PT

## Sugestões

Antes de carregar os cestos, elimine os resíduos de comida das louças e esvazie os líquidos restantes dos copos e dos recipientes. **Não é necessário enxaguar antes sob água corrente.**

Coloque a louça de forma que fique bem fixa e não possa tombar. Os recipientes devem ser colocados com a abertura virada para baixo e as partes côncavas ou convexas na posição oblíqua, para permitir que a água chegue a todas as superfícies e deflúa.

Preste atenção para que as tampas, cabos, frigideiras e tabuleiros não impeçam a rotação dos braços aspersores. Coloque os objectos pequenos no cesto dos talheres.

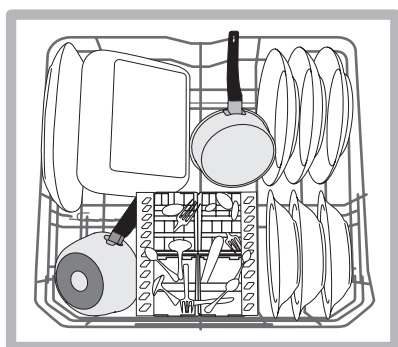
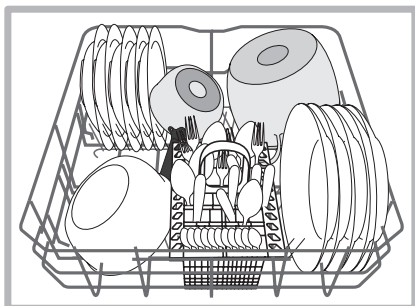
A louça de plástico e as frigideiras anti-aderentes têm tendência a reter as gotas de água e, como tal, o seu grau de secagem será inferior ao da louça em cerâmica ou inox.

Os objectos leves (como os recipientes de plástico) devem ser posicionados de preferência no cesto superior e devem estar bem fixos.

Depois de ter carregado, verifique se os braços aspersores rodam livremente.

## Cesto inferior

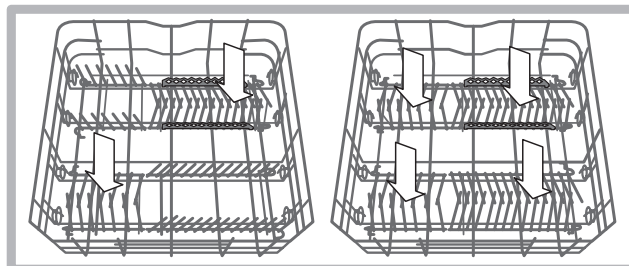
O cesto inferior pode conter panelas, tampas, pratos, tigelas, talheres, etc. Os pratos e tampas grandes devem ser posicionados de preferência dos lados.



É aconselhável colocar a louça muito suja no cesto inferior, uma vez que, neste sector, os jactos de água são mais enérgicos e permitem obter melhores resultados de lavagem.

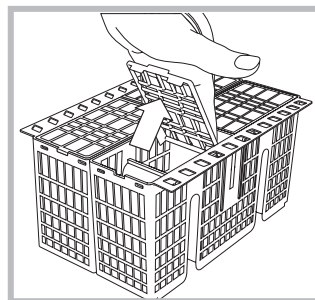
\* Presente somente em alguns modelos. Variáveis por número e posição.

Alguns modelos de máquina de lavar louça dispõem de sectores reclináveis\*, que podem ser usados em posição vertical para posicionar os pratos ou em posição horizontal (baixos) para poder carregar mais facilmente os tachos e as tigelas.



## Cesto dos talheres

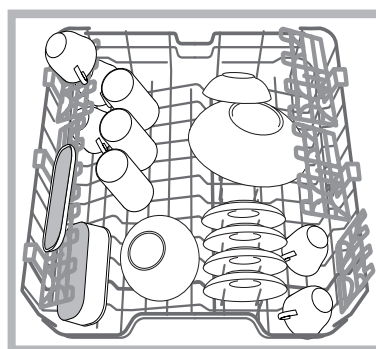
O cesto dos talheres dispõe de grelhas superiores para uma melhor disposição dos mesmos. Deve ser posicionado **somente** na parte dianteira do cesto inferior.



**⚠** As facas e os talheres com pontas cortantes devem ser colocados no cesto dos talheres com as pontas viradas para baixo ou colocados nas peças basculantes do cesto superior na posição horizontal.

## Cesto superior

Carregue as louças delicadas e leves: copos, taças, pratos pequenos, tigelas baixas.

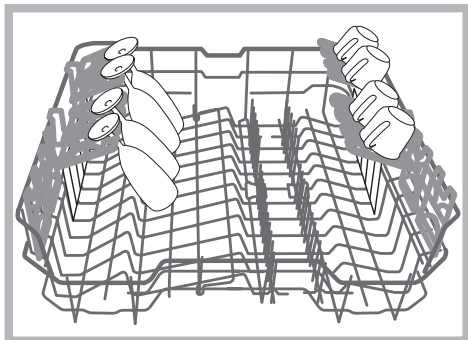


Alguns modelos de máquinas de lavar louça dispõem de sectores reclináveis\*, utilizáveis na posição vertical, para colocar pires ou pratos de sobremesa, ou baixos, para colocar caixas e recipientes de alimentos.

### Peças basculantes com posição variável

As peças basculantes podem ser posicionadas em três alturas diferentes para otimizar a disposição das louças no espaço do cesto.

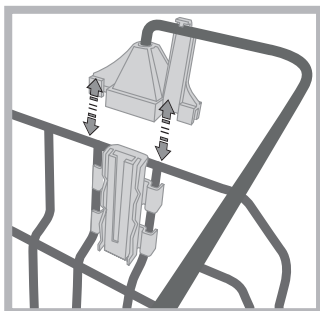
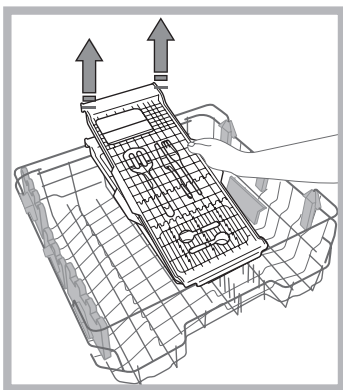
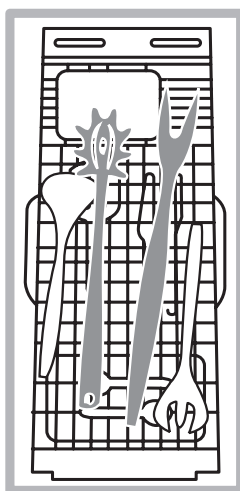
Os cálices podem ser posicionados de modo estável nas peças basculantes, inserindo a haste do copo na específica abertura.



### Bandeja dos talheres\*

Alguns modelos de máquina de lavar louça dispõem de uma bandeja deslizante que pode ser utilizada para colocar talheres de serviço ou chávenas de pequenas dimensões. Para um melhor desempenho de lavagem, tente não colocar louças volumosas sob a bandeja.

A bandeja de talheres é removível. (ver figura)



Antes de carregar a bandeja, assegure-se de que os apoios estejam bem encaixados no cesto superior. (ver figura)

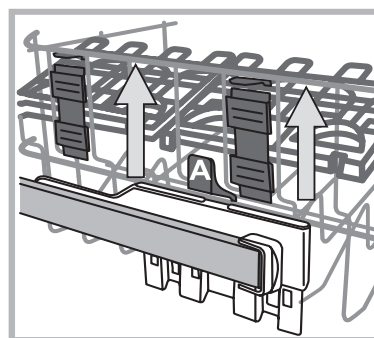
O cesto superior é regulável em altura consoante as necessidades: na posição alta quando pretender colocar louças grandes no cesto inferior; na posição baixa, para aproveitar todos os espaços das peças basculantes ou reclináveis, libertando mais espaço em cima.

### Regule a altura do cesto superior.

Para facilitar o posicionamento das louças, é possível colocar o cesto superior em posição alta ou baixa.

**De preferência, regule a altura do cesto superior quando estiver VAZIO.**

**Nunca levante ou abaixe o cesto por um só lado.**



Se o cesto estiver equipado com **Lift-Up\*** (ver figura), levante o cesto segurando-o pelos lados e mova para cima. Para regressar à posição baixa, pressione as alavancas (A) nos lados do cesto e acompanhe a descida.

### Louças não adequadas

- Talheres e louças de madeira.
- Copos decorados e delicados, louças de artesanato artístico e antiguidades. As decorações não são resistentes.
- Partes em material sintético não resistente à temperatura.
- Louças de cobre e estanho.
- Louças sujas de cinza, cera, lubrificante ou tinta.

As decorações do vidro e as partes em alumínio e prata podem mudar de cor e embranquecer durante a lavagem. Alguns tipos de vidro (por exemplo, objectos de cristal), após muitas lavagens, podem ficar opacos.

### Danos no vidro e louça

Causas:

- Tipo de vidro e procedimento de produção do vidro.
- Composição química do detergente.
- Temperatura da água do programa de enxaguamento.

Conselho:

- Utilizar apenas copos e porcelana com garantia do fabricante de resistência à lavagem em máquinas de lavar louça.
- Utilizar detergente delicado para máquinas de lavar louça.
- Retirar os copos e os talheres da máquina o mais rapidamente possível após o final do programa.

\* Presente somente em alguns modelos.

# Início e utilização

PT

## Ligar a máquina de lavar louça

1. Abra a torneira da água.
2. Carregue na tecla ON-OFF.
3. Abra a porta e doseie o detergente (*veja a seguir*).
4. Carregue os cestos (*consulte Carregar os cestos*) e feche a porta.
5. Seleccione o programa em função das louças e do seu grau de sujidade (*consulte a tabela dos programas*) pressionando a tecla P.
6. Seleccione as opções de lavagem\* (*consulte Programas Especiais e Opções*).
7. Ligar pressionando a tecla Início/Pausa: acende-se o indicador de lavagem e é visualizado no ecrã o número do programa e o tempo que falta para o fim do ciclo.
8. No final do programa, surge **END** no ecrã. Para desligar o aparelho carregue na tecla ON-OFF, feche a torneira da água e desligue a ficha de tomada eléctrica.
9. Aguarde alguns minutos antes de retirar as louças, para evitar queimaduras. Descarregue os cestos, começando pelo inferior.

**⚠** - Para reduzir o consumo de energia eléctrica, em algumas condições de **NÃO** utilização prolongada, a máquina irá desligar-se automaticamente.

**⚠ PROGRAMAS AUTO\***: alguns modelos de máquina de lavar louça estão equipados com um sensor especial capaz de avaliar o nível da sujidade e definir qual é a lavagem mais eficiente e económica. A duração dos programas auto poderá variar devido a uma intervenção do sensor.

## Modificação do programa em curso.

Caso tenha seleccionado o programa errado, é possível modificá-lo, se tiver iniciado há pouco tempo: uma vez iniciada a lavagem, para modificar o ciclo deve desligar a máquina com uma pressão prolongada da tecla ON/OFF/Reset, ligue novamente com a mesma tecla e seleccione o programa e as opções desejados.

## Acrescentar mais louça

Pressione a tecla Início/Pausa, abra a porta prestando atenção à saída de vapor e introduza a louça. Pressione a tecla Início/Pausa: o ciclo é retomado após um bip prolongado.

**⚠** Se estiver configurado o início retardado, no final da contagem decrescente, o ciclo de lavagem não inicia, ficando no estado de Pausa.

**⚠** Ao pressionar o símbolo Início/Pausa para colocar a máquina em pausa, interrompe-se o programa. Nesta fase não será possível mudar o programa.

## Interrupções acidentais

Se durante a lavagem for aberta a porta ou houver uma interrupção da corrente eléctrica, o programa irá interromper-se. Reiniciará do ponto em que foi interrompido quando a porta for fechada ou a electricidade voltar.

\* Presente somente em alguns modelos.

## Carregar o detergente

O bom resultado da lavagem depende também da dosagem correcta do detergente; uma dose excessiva não lava de modo mais eficaz e polui o ambiente.

Consoante o grau de sujidade, a dose pode ser adequada a cada caso com um detergente em pó ou líquido.

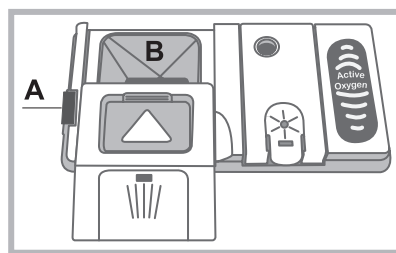
Normalmente, para uma sujidade normal, utilize cerca de 35 g (detergente em pó) ou 35 ml (detergente líquido). Caso utilize pastilhas, basta apenas uma.

Se a louça estiver pouco suja ou tiver antes sido enxaguada com água, diminuir bastante a dose de detergente.

Para um bom resultado de lavagem, seguir também as instruções na embalagem do detergente.

Em caso de dúvida, é recomendável contactar os departamentos de assistência dos fabricantes de detergentes.

Para abrir a embalagem do detergente, accione o dispositivo de abertura "A"



Introduza o detergente apenas no recipiente "B" seco. A quantidade de detergente adequada para a pré-lavagem deve ser colocada directamente na cuba

1. Doseie o detergente consultando a tabela dos programas para introduzir a quantidade correcta. No recipiente **B** está presente um nível que indica a quantidade máxima de detergente líquido ou em pó que pode inserir em cada ciclo.

2. Elimine os resíduos de detergente das beiradas do recipiente e feche a tampa até o "clique".

3. Feche a tampa do recipiente de detergente empurrando-o para cima, até encaixar correctamente o dispositivo de fecho. O recipiente do detergente abre automaticamente em função do programa, no momento adequado.

Caso sejam utilizados detergentes combinados, é aconselhável utilizar a opção TABS, que adequa o programa de lavagem, de forma a obter sempre o melhor resultado de lavagem e secagem possível.

**⚠** Utilize apenas detergente para a máquina de lavar louça.

**NÃO UTILIZE** detergentes para a lavagem à mão.

Um uso excessivo de detergente pode deixar resíduos de espuma no fim do ciclo.

O uso das pastilhas é aconselhado somente nos modelos que dispõem da opção PASTILHAS MULTIFUNÇÃO.

As melhores performances de lavagem e secagem são obtidas somente se empregar detergente em pó, abrlhantador líquido e sal.

Os dados dos programas são medidos em laboratório de acordo com a norma europeia EN 50242.

**Consoante as diferentes condições de utilização, a duração e os dados dos programas podem diferir.**

 **O número e o tipo de programas e as opções variam conforme o modelo de máquina de lavar louça.**

Programa	Secagem	Opções	Duração do programa	Consumo de água (l/ciclo)	Consumo Energia (KWh/ciclo)
1. Eco	Sim	Início Retardado - Meia Carga - Tabs	03:10'	9,0	0,93
2. Intensivo 	Sim	Início Retardado - Meia Carga - Tabs	02:00' - 03:10'	14,0 - 15,5	1,50 - 1,80
3. Normal 	Sim	Início Retardado - Meia Carga - Tabs	01:30' - 02:30'	14,5 - 16,0	1,20 - 1,35
4. Delicados 	Sim	Início Retardado - Meia Carga - Tabs	01:40'	11,0	1,10
5. Rápido 30' 	Não	Início Retardado - Tabs	00:30'	9,0	0,50
6. Amolecimento 	Não	Início Retardado - Meia Carga	00:12'	4,5	0,01
7. Desinfectante 	Sim	Início Retardado	01:20'	10,0	1,25
8. Extra 	Não	Início Retardado - Extra Light (Meia Carga)	01:00'	11,0	n.a.

#### Indicações para a escolha dos programas e dosagem de detergente

- O ciclo de lavagem ECO é o programa padrão a que se referem os dados da etiqueta energética; este ciclo é adequado para lavar louça de sujidade normal e é o programa mais eficiente em termos de consumo energético e água para este tipo de louça. 29 g/ml + 6 g/ml\*\* – 1 Tab (\*\*Quantidade de detergente de pré-lavagem)
- Louça e tachos muito sujos (não usar com louça delicada). 35 g/ml – 1 Tab
- Louça e tachos normalmente sujos. 29 g/ml + 6 g/ml\*\* – 1 Tab
- Ciclo para peças delicadas, mais sensíveis às altas temperaturas. 35 g/ml – 1 Tab
- Ciclo rápido para utilizar com louças pouco sujas. (ideal para 2 pessoas) 25 g/ml – 1 Tab
- Lavagem preliminar a aguardar que a carga fique completa na próxima refeição. Sem detergente
- Ciclo higienizante a elevadas temperaturas. Ideal para lavar louças e biberões. 30 g/ml – 1 Tab
- Loiças de grandes dimensões (Não usar para peças delicadas) 35 gr/ml – 1 Tab

Consumo em stand-by: Consumo em modo left-on: 5,0 W - consumo em modo off: 0,5 W

n.a. não aplicável

#### Observações:

o melhor desempenho do programa “Rápido” obtém-se preferencialmente respeitando o número máximo de louças especificado. Para consumir menos, utilize a máquina com carga plena.

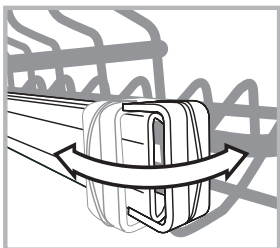
**Nota para os Laboratórios de Ensaio:** para informações sobre as condições do ensaio comparativo EN, solicitar ao endereço: [assistencia\\_en\\_lvs@indesitcompany.com](mailto:assistencia_en_lvs@indesitcompany.com)

# Programas especiais e opções

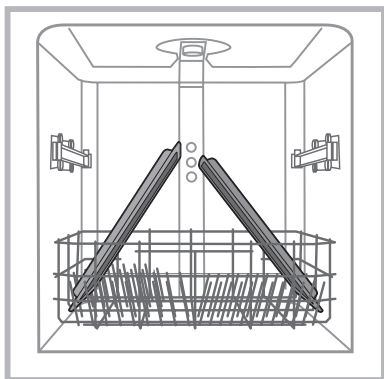
PT

## Programa EXTRA

Com o programa EXTRA, é possível lavar de forma intensiva loiças de grandes dimensões, até uma altura máxima de 53 cm: tabuleiros e grelhas de ir ao forno, tabuleiros de recolha de gotas, grelhas do plano de cozedura, tachos grandes, pratos de servir e de pizza, filtros de exaustor em aço inoxidável. Para carregar loiças de grandes dimensões, é necessário retirar o cesto superior.



Abra os dois bloqueios à direita e à esquerda e retire o cesto. Com o cesto superior inserido, os bloqueios têm de estar sempre fechados.



Para que o jacto possa chegar a todas as partes das loiças, coloque-as tal como apresentado na figura.

O ciclo pode ser utilizado também para loiças delicadas de grandes dimensões, activando a opção Extra Light (*consulte Opções de lavagem*).

**Não accione a máquina de lavar loiça sem o cesto superior com outros ciclos de lavagem que não o EXTRA.**

**Para a execução do Ciclo Extra e Extra com opção Light\*, coloque o detergente directamente na cuba e não no dispensador.**

## Opções de lavagem\*

**As Opções podem ser programadas, mudadas ou anuladas somente depois de ter escolhido o programa de lavagem e antes de ter pressionado a tecla Início/Pausa.**

Podem ser seleccionadas apenas as opções compatíveis com o tipo de programa escolhido. Se uma opção não for compatível com o programa seleccionado, (*consulte a tabela dos programas*) o respectivo símbolo irá piscar rapidamente 3 vezes.

Se for seleccionada uma opção incompatível com uma opção programada anteriormente, esta irá piscar por 3 vezes e irá desligar-se, enquanto ficará acesa a última opção escolhida.

Para desmarcar uma opção seleccionada por engano, pressione novamente a tecla correspondente.



## Meia carga/Extra light

Esta tecla tem uma dupla função: MEIA CARGA e EXTRA LIGHT.

Selecione o programa, carregue na tecla MEIA CARGA/EXTRA LIGHT: o indicador luminoso irá acender-se.

Pressionando novamente a tecla MEIA CARGA/EXTRA LIGHT, desactiva a opção.

### Meia carga

Se houver poucas loiças para lavar, pode-se efectuar a meia carga e economizar água, energia e detergente.

**É possível utilizar apenas metade da quantidade de detergente.**

### Extra light

Compatível apenas com o programa EXTRA

Esta opção torna o programa EXTRA adequado a loiças e objectos delicados de grandes dimensões. A opção não inclui fase de secagem.

**⚠** Assegure-se de que os objetos e loiças são compatíveis com a lavagem na máquina de lavar loiça.



## Pastilhas Multifunções (Tabs)

Com esta opção é otimizado o resultado da lavagem e da secagem.

Se usar pastilhas multifunções, carregue na tecla PASTILHAS MULTIFUNÇÕES, o respectivo indicador luminoso acende-se e uma nova pressão da tecla desmarca a opção.

**⚠** A opção “Pastilhas Multifunções” implica um aumento do tempo de duração do programa.

**⚠** A utilização de pastilhas é aconselhada apenas se essa opção estiver presente e é desaconselhada com programas que não prevêm o uso de pastilhas multifunções.



## Início retardado

É possível adiar de 1 a 24 horas o início do programa:

1. Seleccionar o programa de lavagem que deseja e outras eventuais opções, carregue na tecla INÍCIO RETARDADO: o indicador luminoso acende-se. Com a mesma tecla, selecione quando pretende iniciar o ciclo de lavagem. (h01, h02, etc.)

2. Confirme a selecção com a tecla INÍCIO/PAUSA; começa a contagem decrescente.

3. Quando terminar este tempo, o indicador luminoso do INÍCIO RETARDADO apaga-se e o programa inicia.

Para anular o INÍCIO RETARDADO, carregue na tecla INÍCIO RETARDADO até visualizar a escrita **OFF**.

**Não é possível escolher o Início Retardado depois de o ciclo ter começado.**

\* Presente somente em alguns modelos.



# Abrilhantador e sal regenerante

**⚠ Use somente produtos específicos para máquinas de lavar louça.**

**Não use sal de cozinha ou industrial nem detergentes para a lavagem à mão.**

**Siga as indicações escritas na embalagem.**

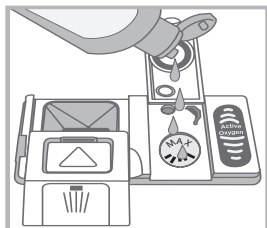
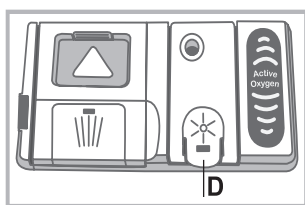
**⚠ Se utilizar um produto multifunções, não será necessário acrescentar abrilhantador e **aconselha-se a adição de sal, especialmente se a água for dura ou muito dura.** (Siga as indicações escritas na embalagem).**

**⚠ Se não forem adicionados o sal e o abrilhantador, é normal que os indicadores luminosos FALTA DE SAL\* e FALTA DE ABRILHANTADOR\* continuem acesos.**

## Carregar o abrilhantador

O abrilhantador facilita a secagem das louças fazendo escorrer a água da superfícies, de modo que não se formem listras brancas ou manchas. O recipiente do abrilhantador deve ser enchido:

- quando no painel se acende o indicador luminoso FALTA ABRILHANTADOR\*,\* ainda está disponível uma reserva de abrilhantador para 1-2 ciclos;



- Abra o recipiente "D" pressionando e levantando a lingueta na tampa;
- Introduza com cuidado o abrilhantador até à marca máxima da abertura de enchimento, evitando que transborde. Se vazar, limpe imediatamente com um pano seco.
- Feche a tampa até ouvir um clique.

**NUNCA deitar abrilhantador directamente dentro da máquina.**

## Regule a dose de abrilhantador.

Se não ficar satisfeito com o resultado da secagem, é possível regular a dose de abrilhantador. Ligue e desligue a máquina de lavar louça com a tecla ON/OFF.

Prima a tecla Início/Pausa 3 vezes; ligue a máquina com o botão ON/OFF - entra no menu de regulação e acende-se o indicador do abrilhantador. (configurado no nível de fábrica).

Selecione o nível de distribuição de abrilhantador através da tecla de programa **P**. (de 0 a 4 Máx.).

**Pressione o botão ON/OFF para guardar a regulação configurada.**

O nível de abrilhantador pode ser configurado para ZERO; nesse caso, o abrilhantador não será fornecido e não será acesso o indicador luminoso de falta de abrilhantador caso este termine.

- se na louça lavada houver listras, configure para números mais baixos (1-2).
- se houver gotas de água ou manchas de calcário, configure para números mais altos (3-4).

## Configuração da dureza da água

A máquina de lavar louça está equipada com um amaciador de água que, utilizando um sal regenerante específico para máquinas de lavar louça, fornece água sem calcário para a lavagem as louças.

Esta máquina de lavar louça permite uma regulação que reduz

a poluição e otimiza o desempenho de lavagem em função da dureza da água. O dado pode ser fornecido pela entidade fornecedora de água potável.

Acenda a máquina de lavar louça com o botão ON/OFF, aguarde alguns segundos e desligue com o botão ON/OFF. Mantenha premida a tecla Início/Pausa durante pelo menos 3 segundos; ligue a máquina com o botão ON/OFF - entra no menu de regulação e acende-se o indicador do sal.

- Selecione com a tecla **P** o nível pretendido (de 1 a 5\* Máx. de acordo com o modelo de máquina)

(o descalcificador está configurado no nível médio).

**Pressione o botão ON/OFF para guardar a regulação configurada.**

Se utilizar as pastilhas multifunções, encha o recipiente do sal da mesma forma.

Tabela da dureza da água				Autonomia média** recipiente do sal
nível	°dH	°fH	mmol/l	meses
1	0 - 6	0 - 10	0 - 1	7 meses
2	6 - 11	11 - 20	1,1 - 2	5 meses
3	12 - 17	21 - 30	2,1 - 3	3 meses
4	17 - 34	31 - 60	3,1 - 6	2 meses
5*	34 - 50	61 - 90	6,1 - 9	2/3 semanas

De 0°f a 10°f aconselha-se não utilizar o sal. \* com a configuração 5, a duração pode ser prolongada. \*\* com 1 ciclo de lavagem por dia.

(°dH = dureza em graus alemães - °fH = dureza em graus franceses - mmol/l = milimol p/litro)

## Carregar o sal regenerante

Para ter bons resultados de lavagem, é indispensável assegurar que o recipiente do sal nunca fique vazio.

O sal regenerante elimina o calcário da água, evitando que se deposite sobre as louças.

O recipiente do sal está colocado na parte inferior da máquina de lavar louça (consulte Descrição) e deve ser enchido:

- se a bóia verde\* não for visível observando a tampa do sal;
- quando no painel se acende o indicador luminoso FALTA SAL\*;



1. Extraia o cesto inferior e desatarraxe a tampa do reservatório no sentido anti-horário.

2. Apenas para a primeira utilização: encha o reservatório com água até ao rebordo.

3. Posicione o funil\* (consulte a figura) e encha o recipiente de sal até ao rebordo

(aproximadamente 1 kg); é normal que saia um pouco de água.

4. Remova o funil\*, elimine os resíduos de sal da boca do reservatório; enxagúe a tampa sob água corrente antes de aparafusá-la, colocando-a de cabeça para baixo e deixando defluir a água através das quatro fendas dispostas em estrela na parte inferior da tampa. (tampa com bóia verde\*)

**Recomenda-se realizar esta operação a cada carregamento de sal.**

Atarraxe bem a tampa, para que no reservatório não entre detergente durante a lavagem (o dispositivo para descalcificar poderia ser danificado irremediavelmente).

**⚠** Quando necessário, carregue o sal antes de um ciclo de lavagem de forma a eliminar a solução salina que vazou do recipiente do sal.

\* Presente somente em alguns modelos.

# Manutenção e cuidados

PT

## Excluir a água e a corrente eléctrica

- Feche a torneira da água após cada lavagem para eliminar o risco de vazamentos.
- Desligue a ficha da tomada quando limpar a máquina e durante os serviços de manutenção.

## Limpar a máquina de lavar louça

- A superfície externa e o painel de comandos podem ser limpos com um pano não abrasivo embebido de água. Não usar solventes nem abrasivos.
- O tambor interno pode ser limpo de eventuais manchas com um pano embebido de água e um pouco de vinagre.

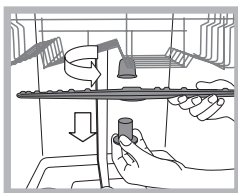
## Evitar cheiros desagradáveis

- Deixe a porta sempre entreaberta para evitar estagnações de humidade.
- Limpe regularmente as guarnições perimetrais de vedação da porta e dos recipientes de detergente com uma esponja húmida. Deste modo, se evitarão estagnações de alimentos, principais responsáveis pelos cheiros desagradáveis.

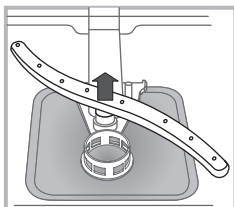
## Limpar os braços aspersores

Pode acontecer que restos de comida grudem-se nos braços aspersores e tampem os furos através dos quais a água deve passar: de vez em quando é bom controlá-los e limpá-los com uma escovinha não de metal.

Ambos os aspersores são desmontáveis.



Para desmontar o aspersor superior deve-se desapertar girando o aro de plástico na direcção anti-horária. O braço aspersor superior deve ser remontado com os furos para cima.



Para desmontar o aspersor inferior faça pressão sobre as abas situadas nos lados e puxe-o para cima.

## Limpeza do filtro de entrada da água\*

Se os tubos de água forem novos, ou se tiverem permanecido muito tempo não utilizados, antes de realizar a ligação, deixe escorrer água para certificar-se que seja límpida e isenta de impurezas. Sem esta precaução, há riscos de que o ponto de entrada da água se entupa, causando danos à máquina de lavar louça.

\* Presente somente em alguns modelos.

Periodicamente, limpe o filtro de entrada da água posicionado na saída da torneira.

- Feche a torneira da água.
- Desparafuse a extremidade do tubo de alimentação da água, remova o filtro e limpe-o delicadamente sob um jacto de água corrente.

- Insira novamente o filtro e parafuse o tubo.

## Limpar os filtros

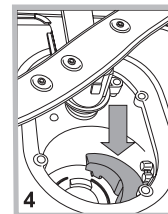
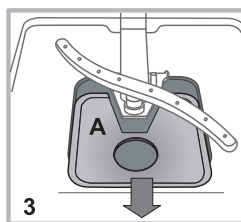
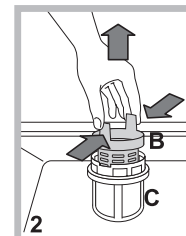
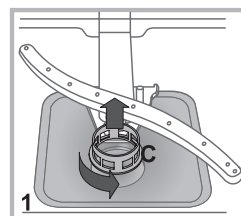
O grupo filtrante é formado por três filtros que limpam a água de lavagem dos resíduos de comida e a colocam novamente em circulação: para ter bons resultados de lavagem é necessário limpá-los.

Limpar os filtros com regularidade.

A máquina de lavar louça não deve ser utilizada sem filtros nem com o filtro desenganchado.

• Após algumas lavagens, controle o grupo filtrante e se necessário, limpe-o cuidadosamente com água corrente, com a ajuda de uma escovinha não de metal, seguindo as instruções abaixo:

1. gire no sentido anti-horário o filtro cilíndrico C e remova-o (fig. 1).
2. Remova o copinho filtro B fazendo uma ligeira pressão nas abas laterais (Fig. 2).
3. Desfie o prato filtro inox A (Fig. 3).
4. Inspeccione o depósito e elimine os eventuais resíduos de comida. **NUNCA REMOVA** a protecção da bomba de lavagem (detalhe de cor preta) (fig. 4)



Após a limpeza dos filtros, monte novamente o grupo filtrante e coloque-o correctamente na sua posição; isto é fundamental para o bom funcionamento da máquina de lavar louças.

## Longos períodos de ausência

- Desligue as ligações eléctricas e a feche a torneira da água.
- Deixe a porta entreaberta.
- Na volta, realize uma lavagem com a máquina vazia.

No caso em que o aparelho apresente anomalias de funcionamento, controle os seguintes itens antes de contactar a Assistência Técnica.

Anomalias:	Possíveis causas / Solução:
<b>A máquina de lavar louça não começa a funcionar ou não responde aos comandos</b>	<ul style="list-style-type: none"> <li>Desligue a máquina com a tecla ON/OFF, ligue novamente após um minuto e re programe-a novamente.</li> <li>A ficha não foi inserida correctamente na tomada de corrente.</li> <li>A porta da máquina de lavar louça não está bem fechada.</li> </ul>
<b>A porta não se fecha</b>	<ul style="list-style-type: none"> <li>O fecho da porta disparou: empurre com força a porta até ouvir um "clack".</li> </ul>
<b>A máquina de lavar louça não descarrega a água.</b>	<ul style="list-style-type: none"> <li>O programa ainda não terminou.</li> <li>O tubo de descarga da água está dobrado (consulte Instalação).</li> <li>A descarga do lavabo está obstruída.</li> <li>O filtro está obstruído por resíduos de comida.</li> </ul>
<b>A máquina de lavar louça faz ruído.</b>	<ul style="list-style-type: none"> <li>As louças chocam ente si ou contra os aspersores.</li> <li>Presença de espuma em excesso: o detergente não foi doseado correctamente ou não é adequado para a lavagem na máquina de lavar louça. (consulte Início e utilização).</li> </ul>
<b>Nas louças e nos copos permanecem depósitos de calcário ou uma camada branca.</b>	<ul style="list-style-type: none"> <li>Falta sal regenerante ou a sua regulação não é adequada à dureza da água (consulte Abrilantador e sal)</li> <li>A tampa do recipiente de sal não está bem fechada.</li> <li>O abrilantador acabou ou a dosagem é insuficiente.</li> </ul>
<b>Nas louças e nos copos há listras brancas ou manchas azuis.</b>	<ul style="list-style-type: none"> <li>A dosagem do abrilantador é excessiva.</li> </ul>
<b>As louças estão pouco secas.</b>	<ul style="list-style-type: none"> <li>Foi seleccionado um programa sem secagem.</li> <li>O abrilantador acabou ou a dosagem é insuficiente (consulte Abrilantador e sal).</li> <li>A regulação do abrilantador não é adequada.</li> <li>As louças são de material antiaderente ou de plástico.</li> </ul>
<b>As louças não estão limpas.</b>	<ul style="list-style-type: none"> <li>Os cestos estão demasiado carregados (consulte Carregar os cestos).</li> <li>As louças não foram bem posicionadas.</li> <li>Os aspersores não têm livre rotação.</li> <li>O programa de lavagem é demasiado delicado (consulte Programas).</li> <li>Presença de espuma em excesso: o detergente não foi doseado correctamente ou não é adequado para a lavagem na máquina de lavar louça. (consulte Início e utilização).</li> <li>A tampa do recipiente para o abrilantador não foi fechada correctamente.</li> <li>O filtro está sujo ou obstruído (consulte Manutenção e cuidados).</li> <li>Falta o sal regenerante (consulte Abrilantador e sal).</li> </ul>
<b>A máquina de lavar louça não carrega a água - Alarme torneira fechada.</b> (o indicador luminoso ON/OFF fica intermitente e o ecrã apresenta <b>H2O</b> ; após alguns segundos é apresentado <b>F 6</b> ).	<ul style="list-style-type: none"> <li>Falta água na rede hídrica.</li> <li>O tubo de descarga da água está dobrado (consulte Instalação).</li> <li>Abra a torneira e o aparelho irá reiniciar após poucos minutos.</li> <li>O aparelho bloqueou porque não se interveio após o som do sinal sonoro*. (*Presente somente em alguns modelos)</li> </ul> <p>Desligue a máquina com a tecla ON/OFF, abra a torneira e, depois de 20 segundos, para ligar novamente a máquina, carregue na mesma tecla. Programe novamente a máquina e reinicie.</p>

\* Presente somente em alguns modelos.

TR

Türkçe, 44

**DFP 58T94**

## İçindekiler

### Ürün bilgilerine, 45

### Önlemler ve tavsiyeler, 46

Genel güvenlik  
İmha Etme  
Enerji tasarrufu ve Çevreye saygı

### Kurulum, destek ve Yardım, 47-48

Konumlandırma ve düzleştirme  
Su ve elektrik bağlantılarının yapılması  
İlk yıkama programı hakkında öneri  
Teknik bilgiler  
Yardım

### Cihazın tanımı, 49

Genel Bakış  
Kontrol Paneli

### Rafların yüklenmesi, 50-51

Alt raf  
Çatal-bıçak sepeti  
Üst raf  
Üst rafın yüksekliğinin ayarlanması  
Uygun olmayan sofa takımları

### Çalıştırma ve kullanım, 52

Bulaşık makinesinin çalıştırılması  
Deterjanın ölçülmesi

### Yıkama programları, 53

Yıkama programları tablosu

### Özel yıkama programları ve Seçenekler, 54

### Parlatıcı ve rafine tuz, 55

Durulama maddesinin ölçülmesi  
İşlenmiş tuzun ölçülmesi

### Temizlik ve bakım, 56

Su ve elektrik bağlantısının kapatılması  
Bulaşık makinesinin temizlenmesi  
İstenmeyen kokuların önlenmesi  
Püskürtücü kollarının temizlenmesi  
Su Giriş Filtresinin Temizlenmesi  
Filtrelerin temizlenmesi  
Makinenin uzun süre kullanılmaması

### Sorun giderme, 57

ürün bilgilerine	
Marka	INDESIT
Model	DFP 58T94
Standart yer yerleşimlerinde nominal kapasite (1)	14
A+++ (düşük tüketim)"dan D (yüksek tüketim)"e Enerji verimlilik sınıfı	A++
kWh cinsinden yıllık enerji tüketimi (2)	265.0
kWh cinsinden standart temizleme programının enerji tüketimi	0.93
W'de off-modun güç tüketimi	0.5
W'de left-on modun güç tüketimi	5.0
Litre olarak yıllık su tüketimi (3)	2520.0
A (yüksek verim)"dan G (düşük verim)"e kurutma verimlilik sınıfı	A
Dakika cinsinden standart temizleme programı için program süresi	190
Left-on modun dakika cinsinden süresi	10
Yıkamada dB(A) re 1 pW cinsinden gürültü	44
Ankastre Model	Hayır
<b>Notlar</b>	
1) Etiket ve fiş üzerinde yer alan bilgi, standart yıkama programı ile ilişkilidir, bu programın normal olarak kirlenmiş sofa takımlarını yıkamak için uygundur ve kombine enerji ve su tüketimi açısından en etkili programlardır. Standart yıkama programı, Eco program"dır.	
2) Soğuk su kullanılan 280 adet standart yıkama programına ve düşük güç modlarının tüketimine dayanmaktadır. Gerçek enerji tüketimi cihazın nasıl kullanıldığına göre değişecektir.	
3) 280 adet standart yıkama programına dayanmaktadır. Gerçek su tüketimi, cihazın nasıl kullanıldığına bağlıdır.	

# Önlemler ve öneriler

TR

**⚠** Bu cihaz, uluslararası güvenlik standartlarına uygun olarak tasarlanıp üretilmiştir. Aşağıdaki bilgiler güvenlik amacıyla verilmiştir ve bu nedenle dikkatle okunmalıdır.

Bu kullanım kılavuzunu, gelecekte referans olarak kullanmak üzere saklayın. Cihazı satarsanız, birine hediye ederseniz veya başka bir yere taşırsanız, kullanım kılavuzunu da vermeyi/götürmeyi ihmal etmeyin.

Lütfen bu talimatları dikkatle okuyun: talimatlar, kurulum, kullanım ve güvenlik hakkında önemli bilgiler içermektedir.

Bu cihaz, evde kullanmanın yanı sıra benzeri uygulamalarda da kullanılmak üzere tasarlanmıştır; örneğin:

- mağazalar, ofisler ve diğer çalışma ortamlarındaki personel mutfağı alanları;
- çiftlik evleri;
- oteller, moteller ve diğer yerleşim türü ortamlarında müşteriler tarafından;
- oda-kahvaltı sistemiyle hizmet veren turistik tesisler.

## Genel güvenlik

- Bu cihaz, güvenliklerinden sorumlu bir kişi tarafından cihazın kullanımıyla ilgili talimatlar kendilerine öğretilmeden veya bu kişinin gözetimi altında olmadan fiziksel, ruhsal veya akli durumları yeterli olmayan kişiler (çocuklar dahil) ya da gerekli bilgi ve tecrübeye sahip olmayan kişiler tarafından kullanılmalıdır.
- Yetişkinler, cihazla oynamadıklarından emin olmak için çocukları her zaman gözetim altında tutmalıdır.
- Cihaz ev içi kullanım için tasarlanmıştır ve ticari veya endüstriyel kullanım amaçlanmamıştır.
- Ev bulaşıklarının bu kullanım kılavuzunda belirtilen şekilde yıkanması için makine sadece yetişkinler tarafından kullanılmalıdır.
- Aygıt, üzeri kapatılarak olsa bile açık alanlara kurulmamalıdır. Makinenin yağmur ve fırtınaya maruz bırakılması son derece tehlikelidir.
- Ayaklarınız çıplakken cihaza dokunmayın.
- Cihazı fişten çekerken, daima fişi duvardaki elektrik prizinden çekin, kablodan çekmeyin. Kablosunu çekmeyin.
- Cihaz temizlenmeden veya bakım yapılmadan önce su besleme musluğu kapatılmalı ve cihazın fişi mutlaka prizden çıkarılmalıdır.
- Makine arızalanırsa, hiçbir koşulda makineyi kendiniz tamir etmeye çalışmayın ve makinenin iç kısımlarına dokunmayın.
- Cihaza yaslanmayın, üzerine oturmayın: cihaz devrilebilir.
- Kapak, tehlikeli bir engel yaratabileceği için açık bırakılmamalıdır.
- Deterjan ve parlaticıyı çocukların erişemeyeceği bir yerde muhafaza edin.
- Ambalaj malzemeleri çocuklar tarafından oyuncak gibi kullanılmamalıdır:

## Elden Çıkarma

- Ambalaj malzemesinin elden çıkarılması: paketlerin/ambalaj malzemelerinin yeniden

kullanılabilir olup olmadığına dair yerel yasaları inceleyin.

- Atık Elektrikli ve Elektronik Ekipmanların (AEEE) elden çıkarılması hakkında Avrupa Birliği Direktifi 2012/19/EU, elektrikli ev aletlerinin normal evsel atıklar gibi elden çıkarılmaması gerektiğini belirtmektedir. Hizmet ömrünü tamamlayan cihazlar, makinenin içindeki malzemelerin yeniden kullanıma ve geri dönüştürülme maliyetlerinin optimize edilmesini sağlamak ve doğaya ya da halk sağlığına zararlı etkileri önlemek amacıyla ayrı bir şekilde toplanmalıdır. Üzeri çarpı işaretli çöp kovası simgesi, bu atıkların ayrı bir şekilde toplanması gerektiği konusunda o ürünün kullanıcılarını uyarmak amacıyla tüm ürünlere konmaktadır. Konutlarda kullanılan elektrikli cihazların doğru bir şekilde elden çıkarılması konusunda ayrıntılı bilgi edinmek için ilgili kamu kuruluşuna ya da yerel bayinize başvurabilirsiniz.

## Enerji tasarrufu ve Çevreye saygı

### Su ve enerji tasarrufu

- Sadece bulaşık makinesi dolu olduğu zaman yıkama devrini başlatın. Bulaşık makinesinin dolmasını beklerken, sudan geçirme devrini kullanarak istenmeyen kokuların oluşmasını önleyin (*Yıkama Devirleri'ne* bakın).
- Yıkama devirleri tablosunu kullanarak bulaşıkların kirlilik seviyesine ve bulaşık tipine uygun olan yıkama devrini seçin:
  - normal bulaşık seviyesindeki tabaklar için, düşük enerji ve su tüketimi seviyelerini temin eden Ekonomik yıkama devrini kullanın.
  - Bulaşıklar normalden daha azsa, Yarım Bulaşık seçeneğini etkinleştirin\* (*bkz. Çalıştırma ve Kullanım*).
- Elektrik tedarikçiniz indirimli elektrik tarifeleri hakkında bilgi vermişse, yıkama devirlerini elektrik fiyatlarının düşük olduğu zamanlarda gerçekleştirin. Gecikmeli Çalıştırma düğmesi\* (*bkz. Çalıştırma ve Kullanım*) yıkama devirlerinizi buna göre düzenlemenize yardımcı olur.

### Enzim içeren fosfatsız ve klorsuz deterjanlar

- Bu ürünler çevreye zararlı olduğu için fosfat veya klor içeren deterjanları kullanmamanızı kesinlikle tavsiye ederiz.
- Enzimler 50°C civarındaki sıcaklıklarda özel bir etki sağlar ve bunun sonucunda enzim içeren deterjanlar normal 65°C'lik yıkama devriyle aynı sonucu elde etmek için düşük sıcaklıktaki yıkama devirlerinde kullanılabilirler.
- Deterjanın boşa kullanılmasını önlemek için, ürünü üretici önerilerine dayanan miktar, su sertliği, bulaşık seviyesi ve çanak çömlek miktarında kullanın. Toprakta çözünebilir olsalar bile, deterjanlar doğanın dengesinde değişiklik yapabilecek maddeler içerir.

\* Yalnızca belirli modellerde bulunmaktadır.

**⚠** Taşıma halinde cihazı dik tutunuz ya da gerekli olduğu takdirde arka tarafa doğru yatırınız.

## Yerleştirme ve seviye ayarlama

1. Cihazın ambalajını çıkartınız ve cihazda nakliyat sırasında hasar meydana gelip gelmediğini kontrol ediniz. Hasarlı ise, cihazı bağlamadan hemen Teknik Servise başvurunuz.

2. Bulaşık makinesini, makinenin arka tarafı yada yanları duvara yada yanındaki mobilyalara dayanacak şekilde yerleştiriniz. Cihaz, mutfak tezgahının altına ankastre edilebilir\* (*Montaj bölümüne bakınız*).

3. Bulaşık makinesini düz ve sert bir zemine yerleştiriniz. Cihaz yatay oluncaya kadar, ön ayakları sökerek veya vidalayarak eğrilikleri dengeleyiniz. Cihazın seviyesinin dikkatlice ayarlanması makinenin titreşmesini, ses çıkarmasını ve yerinden oynamasını engeller.

4\*. Arka ayağın yüksekliğini ayarlamak için, bulaşık makinesinin alt, ön, orta kısmında mevcut olan kırmızı renkteki altıgen kılavuz üzerinde işlem yapınız. 8 mm'lik açıklığa sahip altıgen ağızlı bir anahtar ile, yüksekliği arttırmak için saat yönünde çeviriniz ve yüksekliği azaltmak için ise saat yönünün tersinde çeviriniz. (*belgelere ek ankastre talimatları bölümüne bakınız*)

## Elektrik ve su bağlantıları

**⚠** Bu cihazın montajı sırasındaki elektrik ve su tesisatlarının sadece vasıflı personel tarafından yapılması gerekir.

**⚠** Bulaşık makinesi, elektrik kabloları veya boruları üzerine yaslanmamalıdır.

**⚠** Cihaz, su dağıtma şebekesine yeni borular kullanılarak bağlanmalıdır. Eski boruları yeniden kullanmayınız.

Montajı kolaylaştırmak için, su doldurma ve boşaltma hortumları ve elektrik besleme kablosu sağa veya sola döndürülebilir.

## Su besleme hortumunun bağlantısı

- Soğuk su girişine: doldurma hortumunu 3/4 inç yivli musluğa iyice vidalayınız, hortumu musluğa vidalamadan önce suyun içindeki atıkların cihazı tıkamaması için suyu temiz oluncaya kadar akıtınız.
- Sıcak su girişine: merkezi ısıtma sistemi söz konusu ise; bulaşık makinesi sıcak suya bağlı olarak çalışabilir, ancak suyun sıcaklığı 60°C'yi geçmemelidir.

**⚠** Hortumu, soğuk su girişine bağlanması bölümünde açıklandığı gibi musluğa vidalayınız.

**⚠** Su doldurma hortumunun uzunluğu montaj için yeterli değil ise, konusunda uzman bir mağazaya ya da yetkili bir teknisyene başvurunuz (*bakınız Teknik Destek*).

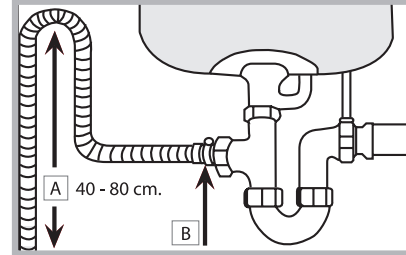
**⚠** Suyun basıncı, Teknik veriler tablosunda aktarılan değerler dahilinde olmalıdır (*yan tarafa bakınız*).

Hortumun kıvrılmamasına, bükülmemesine veya sıkışmamasına dikkat ediniz.

## Atık su boşaltma hortumunun bağlantısı

Atık su boşaltma hortumunu, kıvrımdan iç çapı en az 4 cm olan bir boşaltma kanalına bağlayınız

Boşaltma hortumu, zeminden veya bulaşık makinesinin destek zemininden (A) 40 ila 80 cm. arasında bir yükseklikte olmalıdır.



Atık su boşaltma hortumunu lavabonun akış borusuna bağlamadan önce, plastik tapyayı (B) kaldırınız.

## Su basmalarına karşı emniyet sistemi

Bulaşık makinesi, su basmasını önlemek için:

- herhangi bir arıza ya da içeriden su kaybı olması durumunda su girişini durdurma sistemine sahiptir.

Bazı modeller, besleme hortumunun kopması halinde de su basmalarını önleyen, **New Acqua Stop\*** adı verilen ilave bir emniyet sistemine sahiptir.



## DİKKAT: TEHLİKELİ GERİLİM!

Su doldurma hortumu, her ne olursa olsun asla kesilmemelidir; çünkü içerdiği bazı parçalar gerilim altındadır.

## Elektrik bağlantısı

Cihazın fişini bir elektrik prizine takmadan önce, aşağıdakileri kontrol ediniz:

- priz in topraklı tesisata sahip ve yasal kurallara uygun olduğunu;
- elektrik prizinin kapağın karşısındaki özellikler plakasında belirtilen, makinenin maksimum güç yükünü taşıyabildiğini (*Cihazın tanımı bölümüne bakınız*);
- besleme geriliminin kapağın karşısındaki özellik plakasında belirtilen değerler dahilinde olduğunu;
- priz in cihazın fişi ile uyumlu olduğunu. Aksi takdirde cihazın fişinin değiştirilmesi için yetkili bir teknisyene (*Teknik Destek bölümüne bakınız*) başvurunuz, uzatma kablosu ya da çoklu priz kullanmayınız.

**⚠** Cihaz monte edildikten sonra, besleme kablosuna ve elektrik prizine kolayca ulaşılabilir.

**⚠** Kablonun ezilmemesi ve katlanmaması gerekir.

**⚠** Besleme kablosu zarar görmüş ise, herhangi bir riski önlemek için derhal Teknik Destek Servisi veya üretici firma tarafından yenisi ile değiştirilmelidir. (*Bakınız Teknik Destek*)

\* Yalnızca belirli modellerde bulunmaktadır.


### Yoğunlaşma önleyici şerit\*



Bulaşık makinesini kurduktan sonra kapağı açın ve bulaşık makinenizi yoğunlaşma nedeniyle oluşan muhtemel sorunlardan korumak için yapışkanlı bandı ahşap rafın altına yapıştırın.

### İlk yıkama programı hakkında öneri

Kurulumdan sonra stoperleri raflardan çıkarın ve varsa üst raftaki elastik sabitleme elemanlarını da sökün.

Cihazın kurulumu tamamlandıktan sonra ve ilk yıkama programını başlatmadan hemen önce tuz dağıtıcısını tamamıyla su ile doldurun ve ancak bundan sonra yaklaşık 1 kg kadar tuz ekleyin (*Durulama maddesi ve işlenmiş tuz başlıklı bölümü inceleyin*). Su taşabilir: bu normal bir durumdur, endişe etmeyin. Su sertliği değerini seçin (*Durulama maddesi ve işlenmiş tuz başlıklı bölümü inceleyin*). - Tuz, makinenin içine döküldükten sonra, YETERSİZ TUZ (LOW SALT) göstergesi\* sönecektir.

 Tuz kabı dolu değilse, su yumuşatıcı ve ısıtma elemanı bunun sonucunda hasar görebilir.

Teknik bilgiler	
Boyutlar	genişlik 60 cm yükseklik 85 cm derinlik 60 cm
Kapasite	14 standart yer ayarı
Su şebeke basıncı	0.05 ÷ 1MPa (0.5 ÷ 10 bar) 7,25 – 145 psi
Güç kaynağı voltajı	Bilgi levhasına bakınız
Toplam absorbe edilen güç	Bilgi levhasına bakınız
Sigorta	Bilgi levhasına bakınız
	Bu bulaşık makinesi aşağıdaki Avrupa Birliği Yönergelerine uygundur: -2006/95/EC (düşük voltaj) -2004/108/EC (elektromanyetik uyumluluk) -2009/125/EC (AB Direktifi 1016/2010) (Ecodesign) -97/17/EC (Etiketleme) -2012/19/AB Atık Elektrikli ve Elektronik Donanım (WEEE)
	

**Makine, kumandanın gerçekleştiğini bildiren sesli/tonlu sinyaller (bulaşık makinesinin modeline göre) ile donatılmıştır: açma, devre sonu, vb.**

**Kumanda paneli/ekran üzerinde mevcut olan ışıklı semboller/ uyarı lambaları/ledler, renk, basış ya da sabit ışıklı olma değişikliği gösterebilir. (bulaşık makinesinin modeline göre).**

**Ekran, ayarlanan devir tipi, yıkama aşaması, kalan süre, sıcaklık vb. ile ilgili yararlı bilgileri görüntüler.**

## Yardım

### Desteğe başvurmadan önce

- Problemin Sorun Giderme rehberi kullanılarak çözümlenip çözülmeyeceğini kontrol edin (*bkz. Sorun Giderme*).
- Karşılaştığınız problemin devam edip etmediğini görmek için programı baştan başlatın.
- Sorun devam ediyorsa, Yetkili Teknik Servis ile temas kurun.

 **Yetkisiz teknisyenlerin verdiği hizmetleri kullanmayın.**

### Lütfen aşağıda belirtilen bilgileri hazır edin:

- Arıza tipi.
- Cihaz Modeli (Mod).
- Seri Numarası (S/N).

Bu bilgiler, cihazın bilgi plakası üzerinde bulunur (*bkz. Cihazın tanımı*).

**“Cihazın ömrü 10 yıldır”**

### Servis

### INDESIT COMPANY BEYAZ EŞYA PAZARLAMA A.Ş.

Karahasan Sok. No:11 Balmumcu 34349 Beşiktaş/İstanbul

TEL: (+90) 212 355 53 00

FAKS: (+90) 212 212 95 59

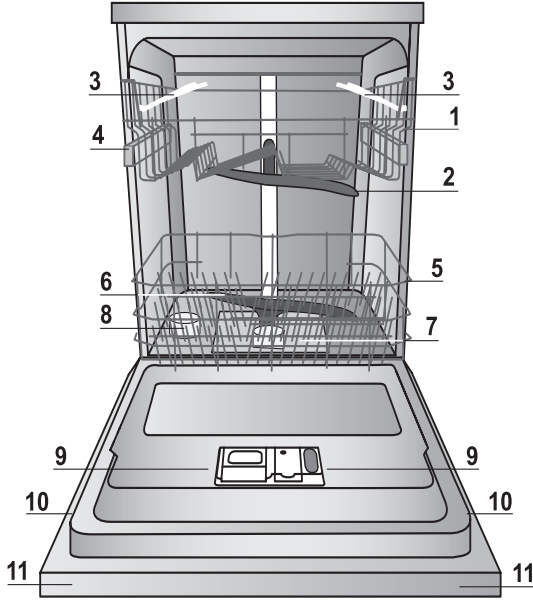
WEB: [www.hotpoint-ariston.com.tr](http://www.hotpoint-ariston.com.tr)

\* Yalnızca belirli modellerde bulunmaktadır.



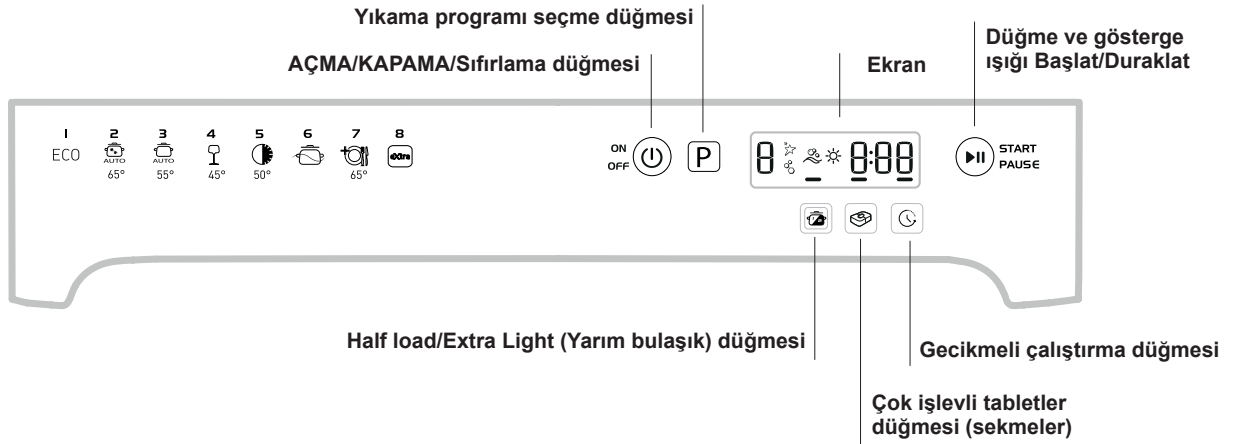
# Cihazın açıklaması

## Genel Bakış



1. Üst raf
2. Üst püskürtücü kolu
3. Açılır/kapanır dağıtıcılar
4. Raf yüksekliği ayarlayıcı
5. Alt raf
6. Alt püskürtücü kolu
7. Yıkama filtresi
8. Tuz dağıtım bölmesi
9. Deterjan dağıtıcı, durulama katkı maddesi dağıtıcı ve Active Oxygen cihazı\*
10. Bilgi levhası
11. Kontrol paneli\*\*\*

## Kontrol Paneli



## Ekran



\*\*\* Yalnızca tamamen gömme olan modellerde. \* Yalnızca belirli modellerde bulunmaktadır.

Yıkama programı ve seçeneklerinin sayısı ve türü bulaşık makinesi modeline bağlı olarak farklılık gösterebilir.

# Rafların yerleştirilmesi

TR

## İpuçları

Rafları yerleştirmeden önce, çanak çömleklerdeki tüm yiyecek kalıntılarını temizleyin ve bardak ve kaplardaki sıvıları boşaltın.

### Akan su altında önleyici durulama gerekmez.

Tabakları devrilmeyecek ve sağlam bir şekilde yerleştirin; kapları ağız kısımları aşağı bakacak, içbükey/dışbükey parçaları ise yanlamasına yerleştirin; bu sayede suyun tüm yüzeylere kolayca ulaşması sağlanır.

Kapakların, kolların, tepsilerin ve kızartma tavalarının püskürtücü kolların dönüşünü engellemediğinden emin olun. Küçük cisimleri çatal-bıçak sepetine koyun.

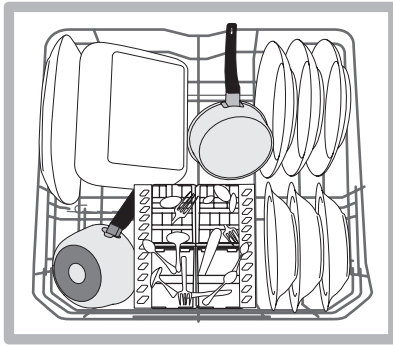
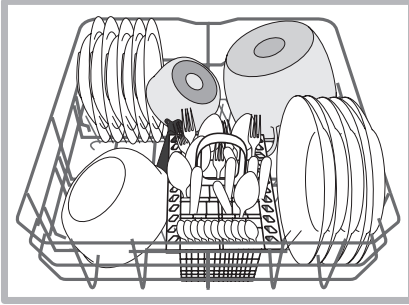
Plastik tabaklar ve teflon tavalar genellikle daha fazla su damlası tuttuğundan, bunların kurutulması porselen veya paslanmaz çelik tabakların kurutulması kadar kolay olmaz.

Plastik kaplar gibi hafif cisimleri üst rafa yerleştirin ve hareket etmeyecek biçimde sabitleyin.

Bulaşıkları cihaza yerleştirdikten sonra, püskürtücü kollarının serbestçe dönüp dönmediğini kontrol edin.

## Alt raf

Tencereleri, kapakları, tabakları, salata kaselerini, çatal-bıçakları vs. alt rafa dizebilirsiniz. Büyük tabakları ve kapaklar ise yanlara dizilmelidir.

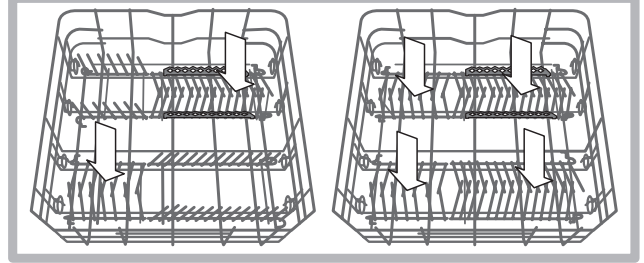


Çok kirli tencereler ve tabaklar alt rafa dizilmelidir, çünkü bu kısma daha kuvvetli su püskürtülür ve yıkama performansı daha yüksektir.

\*Sadece farklı numara ve konumlara sahip bazı modellerde mevcuttur.

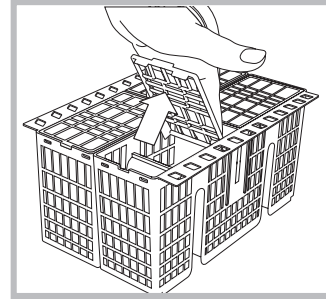
Pek çok bulaşık makinesi modeli çeşitli açılır-kapanır bölmeye sahiptir\*.

Tencerelerin ve salata kaselerinin kolayca yerleştirilebilmesi için yanlamasına, tabakların düzgün yerleştirilmesi içinse dikey olarak kullanılabilir.



## Çatal-bıçak sepeti

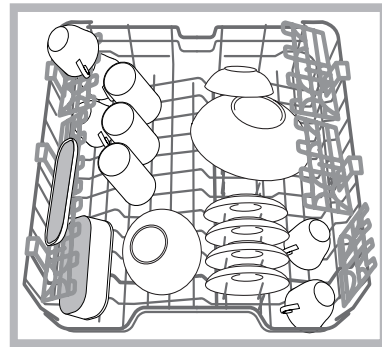
Modüler sepet, çatal-bıçak takımlarının daha iyi yerleştirilmesi için üst ızgaralara sahiptir. Çatal-bıçak sepeti **sadece** alt rafın ön kısmına konumlandırılmalıdır



⚠ Bıçaklar ve keskin kenarlı diğer bulaşıklar, çatak ve bıçak sepetinin içine keskin kısımları alta gelecek şekilde ya da üst rafta bulunan eğimli kısımlar üzerine yatay olarak yerleştirilmelidir.

## Üst raf

Bu rafı, bardak, fincan, cezve ve sığ salata kasesi gibi hafif cisimlerle doldurun.



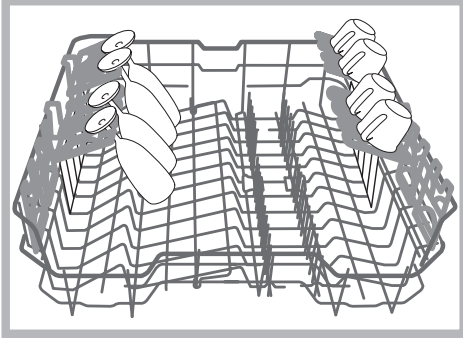
Pek çok bulaşık makinesi modeli çeşitli açılır-kapanır bölmeye sahiptir\*.

Bu bölümleri, çay cezvelerinin yerleştirilmesi sırasında dikey olarak, kaselerin veya yemek kaplarının yerleştirilmesinde ise aşağı konumda kullanabilirsiniz.

### Ayarlanabilir konumlu açılır kapanır bölmeler

Çatal ve bıçakların raf içinde en etkin şekilde yerleştirilmesi için, yan kısımdaki açılır kapanır bölmeleri üç farklı yükseklikte ayarlayabilirsiniz.

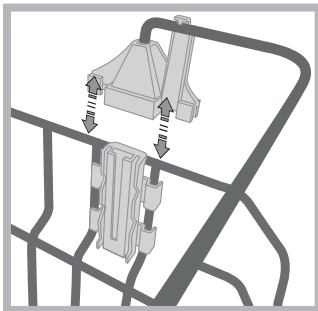
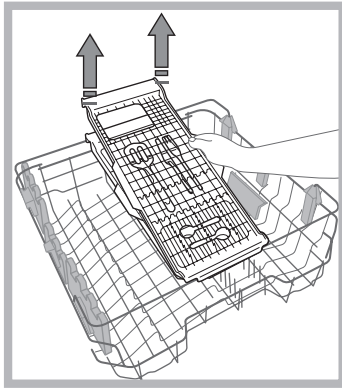
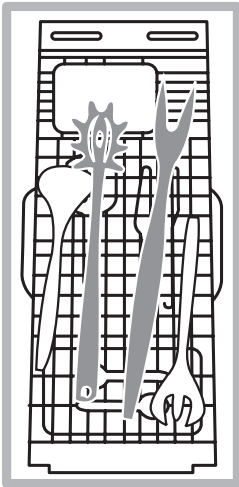
Şarap kadehlerini, sap kısımlarını ilgili yuvalara oturacak biçimde yerleştirerek açılır kapanır bölmelere güvenle koyabilirsiniz.



### Çatal bıçak tepsi\*

Bazı bulaşık makinesi modelleri, servis takımlarının veya küçük fincanların konulabilecek bir sürgülü tepsiye sahiptir. İdeal bir yıkama performansı için, büyük çatal bıçakları tepsinin altına yerleştirilmeyin.

Çatal bıçak tepsi çıkarılabilir (Şekile bakınız).



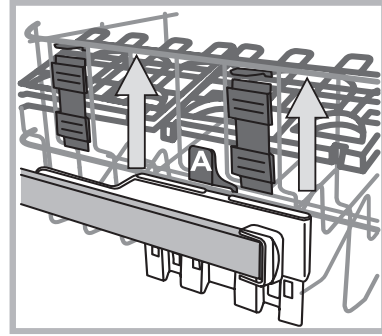
Tepsiyi yerleştirmeden önce, desteklerin üst rafa düzgün şekilde kenetlendiğinden emin olun (Şekile bakınız).

Üst rafın yüksekliğini, ihtiyaçlarınıza bağlı olarak ayarlayabilirsiniz: büyük çatal bıçakları alt rafa koymak için yüksek konumu, açılır-kapanır bölmelerden olabildiğince fazla yararlanmak amacıyla yukarıya doğru daha fazla alan elde etmek içinse aşağı konumu tercih edebilirsiniz.

### Üst rafın yüksekliğinin ayarlanması

Yemek takımlarının yerleştirilmesini kolaylaştırmak için, üst raf yüksek veya alçak bir konuma yerleştirilebilir.

Üst rafın yüksekliği **RAF BOŞKEN** uygun şekilde ayarlanabilir. **ASLA** rafı sadece bir tarafından kaldırmayın veya indirmeyin.



Raf bir **Kaldırma elemanına\*** sahipse (bkz. şekil), yanlarından tutarak kaldırın. Yeniden aşağı indirmek için rafın yanlarındaki kollara (**A**) basın ve rafı aşağı doğru çekin.

### Uygun olmayan sofa takımları

- Ahşap sofa (çatal, bıçak, kaşık, tabak vs.) takımları.
- Narin dekoratif bardaklar, sanat eserleri ve antika yemek takımları. Bunların dekoratif kısımları dayanıklı değildir.
- Yüksek sıcaklıklara dayanamayan sentetik malzemeden mamul parçalar.
- Bakır ve kalay takımlar.
- Kül, parafin, gres veya mürekkeple kirlenmiş takımlar.

Cam dekoratif ürünlerin ve alüminyum/gümüş parçaların rengi yıkama sırasında solabilir veya değişebilir. Bazı cam ürünler (kristal vs.) birkaç yıkama devrinden sonra matlaşabilir.

### Cam ve diğer takımların hasar görmesi

Nedenleri:

- Camın ve cam üretimi sürecinin türü.
- Deterjanın kimyasal bileşkesi.
- Durulama devrindeki su sıcaklığı.

İpuçları:

- Bulaşık makinesinde yıkama konusunda üreticinin garanti verdiği cam ve porselen ürünleri kullanın.
- Takımlar için uygun bir deterjan kullanın.
- Yıkama devri bitince cam ürünleri ve diğer takımları hemen makineden çıkarın.

\* Yalnızca belirli modellerde bulunmaktadır.

# Başlangıç ve kullanım

TR

## Bulaşık makinesinin çalıştırılması

1. Su musluğunu açın.
2. AÇMA/KAPAMA düğmesine basın:
3. Kapağı açın ve yeterli miktarda deterjan dökün (*aşağıya bakın*).
4. Rafları yükleyin (*Rafların yüklenmesi başlıklı bölümü inceleyin*) ve kapağı kapatın.
5. P düğmesine basarak çanak çömlek tipi ve kirlilik düzeyine uygun yıkama programını seçin (*Yıkama programları tablosuna bakın*).
6. Yıkama seçeneklerini seçin\* (*bkz. Özel Yıkama Çevrimleri ve Seçenekleri*).
7. Başlat/Duraklat düğmesine basarak programı başlatın: Yıkama göstergesi ışığı yanar ve çevrim sonuna kalan süre yıkama çevrimi numarasıyla birlikte görüntülenir.
8. Çevrim sonunda, ekranda **END** (SON) ibaresi belirir. ON/OFF AÇMA/KAPAMA düğmesine basarak cihazı kapatın, musluğu kapatın ve cihazı fişten çekin.
9. Elinizi yakmamak için, yemek takımlarını çıkarmadan önce birkaç dakika bekleyin. Rafları alttan başlayarak boşaltın.

**⚠** - Makine, elektrik sarfiyatını azaltmak amacıyla, uzun bir süre işlem yapılmadığı takdirde otomatik olarak kapanır

**⚠** **OTOMATİK YIKAMA DEVİRLERİ\***: Bazı bulaşık makinesi modelinde kirlenme seviyesini değerlendirmek ve dolayısıyla otomatik olarak en verimli ve ekonomik yıkama çevrimini seçmek için kullanılabilen özel bir sensör bulunmaktadır. Otomatik yıkama çevrimlerinin süreleri sensörün çalışmasına bağlı olarak değişebilir.

## Çalışma sırasında yıkama çevrimini değiştirme

Yıkama programı seçim işleminde bir hata yapılmışsa, yeni başlamış olması koşuluyla çevrimin değiştirilmesi mümkündür: Yıkama programı başladıktan sonra yıkama çevrimini değiştirmek için AÇMA/KAPAMA/Sıfırlama düğmesine basılı tutarak makineyi kapatın. Aynı düğmeyi kullanarak tekrar açın ve istenilen yıkama çevrimini ve seçenekleri belirleyin.

## İlave çanak çömlerinin yerleştirilmesi

Buharın kaçmamasına dikkat ederek AÇMA/KAPAMA düğmesine basın, kapağı açın. Ardından bulaşıkları makineye yerleştirin. Başlat/Duraklat düğmesine basın: Uzun bir bip sesinin ardından devir yeniden başlayacaktır.

**⚠** Gecikmeli başlatmayı ayarladıysanız, geri sayımın sonunda yıkama devri başlamayacaktır. Makine, Duraklat modunda kalacaktır.

**⚠** Makineyi duraklatmak için Başlat/Duraklat düğmesine basın; yıkama devri durdurulur. Bu aşamada yıkama çevrimi değiştirilemez.

## Yanlışlıkla çevrime ara verilmesi

Yıkama çevrimi sırasında kapak açılırsa yada elektrik kesilirse, çevrim durur. Kapak kapatıldığında veya elektrik yeniden geldiğinde, yarıda kaldığı yerden tekrar devam eder.

\* Yalnızca belirli modellerde bulunmaktadır.

## Deterjanın ölçülmesi

İyi bir yıkama sonucu elde edilmesi, kullanılan deterjan miktarının doğru olmasına da bağlıdır. Belirtilen miktarın aşılması daha etkili yıkamayla sonuçlanmadığı gibi çevreyi de kirletir.

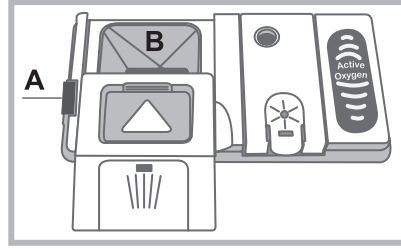
Ürünlerin ne kadar kirli olduğuna bağlı olarak, toz veya sıvı deterjan miktarını duruma göre ayarlayabilirsiniz. Normal derecede kirlenmiş ürünler için 35 gr toz deterjan veya 35 ml sıvı deterjan yeterlidir. Tablet kullanıyorsanız tek tablet yeterli olacaktır.

Çatak, kaşık ve bıçaklar az kirli ise ya da bulaşık makinesine yerleştirilmeden önce sudan geçirilmişler ise bu doğrultuda kullanılan deterjan miktarını azaltın.

Daha iyi yıkama sonuçları elde etmek için, deterjan paketinde belirtilen talimatlara da uyun.

Detaylı bilgi almak için deterjan üreticisinin Danışma Merkezlerine başvurun.

Deterjan dağıtıcısını kullanmak için açma elemanını "A" kullanın.



Deterjanı sadece kuru deterjan dağıtıcısına "B" koyun. Ön yıkama için kullanacağınız deterjan miktarını teknenin içine doğrudan yerleştirin.

1. Deterjan ölçümü yaparken, doğru miktarda eklemeyi temin etmek için yıkama devirleri tablosuna başvurun. B bölmesi, her bir devir için konulabilecek azami sıvı veya toz deterjan miktarını gösteren bir seviye belirteciye sahiptir.

2. Deterjan kalıntılarını dağıtıcının kenarlarından temizleyin ve kapağı yerine kilitlene kadar kapatın.

3. Kapanma elemanı yerine sabitlenene kadar yukarı kaldırarak deterjan dağıtıcısının kapağını kapatın.

Deterjan dağıtıcısı, yıkama devrine bağlı olarak doğru zamanda otomatik olarak açılır.

Hepsi bir arada türü deterjan kullanıyorsanız, yıkama devrini en iyi yıkama ve kurulama sonuçlarına göre ayarlayan TABS (Sekmeler) seçeneğini kullanmanızı öneririz.

**⚠** Sadece bulaşık makineleri için özel olarak tasarlanan deterjanları kullanın.

Sıvı bulaşık deterjanı KULLANMAYIN.


Aşırı deterjan kullanımı devir bittikten sonra makinede köpük kalıntılarının kalmasıyla sonuçlanacaktır.





Tabletlerin kullanımı, sadece ÇOK FONKSİYONLU TABLETLER opsiyonunu sunan modeller için tavsiye edilmektedir.

Her yıkama ve kurulama devrinden sonra en mükemmel sonucu elde etmek için, toz deterjan, sıvı durulama katkısı ve tuz kullanılmalıdır.

Yıkama çevrimi verileri, EN 50242 AB Standardı'na göre laboratuvar koşulları altında ölçülür.  
Farklı kullanım koşullarına bağlı olarak yıkama çevrimi süresi ve verileri değişebilir.

TR

 Yıkama programı ve seçeneklerinin sayısı ve türü bulaşık makinesi modeline bağlı olarak farklılık gösterebilir.

Yıkama Çevrimi	Kurutma	Seçenekler	Yıkama Çevrimi Süresi	Su Sarfıyatı (lt/çevrim)	Enerji Sarfıyatı (kWh/çevrim)
1. Eco	Evet	Gecikmeli başlatma - Tabs - Yarım yükleme	03:10'	9,0	0,93
2. Yoğun 	Evet	Gecikmeli başlatma - Tabs - Yarım yükleme	02:00' - 03:10'	14,0 - 15,5	1,50 - 1,80
3. Normal 	Evet	Gecikmeli başlatma - Tabs - Yarım yükleme	01:30' - 02:30'	14,5 - 16,0	1,20 - 1,35
4. Hassas 	Evet	Gecikmeli başlatma - Tabs - Yarım yükleme	01:40'	11,0	1,10
5. Ekspres 30' 	Hayır	Gecikmeli başlatma - Tabs	00:30'	9,0	0,50
6. Duşlama 	Hayır	Gecikmeli başlatma - Yarım yükleme	00:12'	4,5	0,01
7. Dezenfeksiyon 	Evet	Gecikmeli başlatma	01:20'	10,0	1,25
8. Extra 	Hayır	Gecikmeli başlatma - Extra Light (Yarım yükleme)	01:00'	11,0	n.a.

## Yıkama devri seçimi ve deterjan dozajı hakkında talimatlar:

1. ECO yıkama çevrimi, enerji etiketi verilerinde belirtilen standart yıkama çevrimidir. Normal seviyede kirlenmiş yemek takımlarını yıkamada kullanılabilir ve bu tür bulaşıkların yıkanmasında enerji ve su sarfıyatı bakımından en verimli yıkama çevrimidir.

29 gr/ml + 6 gr/ml\*\* – 1 sekme (\*\*ön yıkama deterjanının miktarı)

2. Çok kirli tabaklar ve tencereler (narin ürünlerle kullanılmamalıdır). 35 gr/ml – 1 sekme

3. Normal seviyede kirlenmiş tabaklar ve tencereler. 29 gr/ml + 6 gr/ml\*\* – 1 sekme

4. Yüksek sıcaklıklara karşı hassas olan narin ürünler için yıkama çevrimi, 35 gr/ml – 1 sekme

5. Az kirlenmiş bulaşıklar için kullanılacak hızlı yıkama çevrimi (2 yerleşimli ayarlar için ideal) 25 gr/ml – 1 sekme

6. Sonraki yemekten kalacak bulaşıkların yüklenmesi beklenirken yapılan ön yıkama. Deterjan kullanılmaz.

7. Yüksek sıcaklıkta dezenfeksiyon çevrimi. Biberonların ve yemek takımlarının yıkanması için idealdir. 30 gr/ml – 1 sekme

8. Büyük bulaşıklar. (Hassas öğeler ile kullanmayın) 35 gr/ml – 1 sekme

Bekleme konumunda sarfiyat: Açık bırakma modunda sarfiyat: 5 W - Kapalı modda sarfiyat: 0,5 W

n.a. = uygulanamaz

## Notlar:

"Ekspres" devirleri kullanıldığında, belirtilen yıkama yeri sayısına uyularak en yüksek performans düzeyine erişilebilir.

Enerji sarfiyatını azaltmak için, bulaşık makinesini sadece tam dolu halde çalıştırın.

**Test Laboratuvarları için Not:** Karşılaştırmalı EN test koşulları hakkında bilgi almak için, aşağıdaki adrese bir e-posta gönderin: [assistenza\\_en\\_lvs@indesitcompany.com](mailto:assistenza_en_lvs@indesitcompany.com)

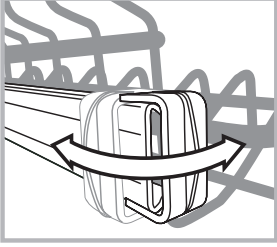
# Özel yıkama devirleri ve Seçenekler

TR

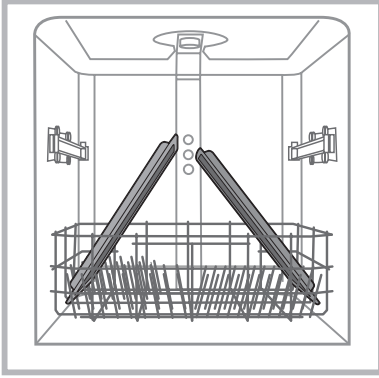
## EKSTRA yıkama çevrimi

EKSTRA, 53 cm yüksekliğe kadar büyük bulaşıkları, fırın tepsilerini, tavaları, ocak ızgaralarını, büyük tencereleri, servis tabaklarını, pizza tabaklarını ve paslanmaz çelikten yapılmış aspiratör filtrelerini yıkamak için gerekli yoğun yıkama işlemlerini gerçekleştirebilmenizi sağlar.

Büyük bulaşıkları yerleştirmek için üst rafı çıkartın.



İki kilidi (sağda ve solda) açın ve rafı çekerek çıkartın. Üst raf sabit durumdayken, kilitler daima kapalı olmalıdır.



Suyun her yanda bulunan bulaşıklara ulaşması için, makinenin içini şekilde gösterilen şekilde düzenleyin.

Çevrim, aynı zamanda Ekstra Hafif seçeneği kullanılarak büyük hassas bulaşıklar için de kullanılabilir (bkz. *Yıkama Seçenekleri*).

**EKSTRA dışındaki yıkama çevrimlerini kullanırken, bulaşık makinesini üst raf olmadan başlatmayın.**

**Ekstra yıkama çevrimini Ekstra Hafif seçeneği ile çalıştırmak için, deterjanı dağıtıcıya değil, doğrudan teknenin içine dökün.**

## Yıkama seçenekleri\*

**SEÇENEKLER, ancak yıkama devri seçildikten sonra ve Başlat/Duraklat düğmesine basılmadan önce ayarlanabilir, değiştirilebilir ya da sıfırlanabilir.**

Sadece yıkama devri tipine uygun olan seçenekler belirlenebilir. Herhangi bir seçenek, seçilen yıkama devrine uygun değilse (bkz. *Yıkama devirleri tablosu*), ilgili sembol ardı ardına 3 defa hızlıca yanıp söner.

Bir başka seçenekle (önceden seçilmiş olan) uyumlu olmayan bir seçenek seçilirse, bu sembol 3 kez yanıp söndükten sonra tamamen söner, en son seçilen seçenek aktif kalır.

Yanlışlıkla ayarlanan bir seçimi iptal etmek için, tekrar ilgili düğmeye basın.



## Yarım yükleme/Ekstra hafif (Half Load/Extra Light)

Düğmenin iki adet işlevi bulunmaktadır: YARIM YÜKLEME ve EKSTRA HAFİF.

Yıkama çevrimini seçin ve HALF LOAD (Yarım Yükleme)/EXTRA LIGHT (Ekstra Hafif) düğmesine basın; gösterge ışığı yanar. Bu seçeneği iptal etmek için HALF LOAD (Yarım Yükleme)/EXTRA LIGHT (Ekstra Hafif) düğmesine tekrar basın.

## Yarım yükleme

Yıkancak çok fazla bulaşık yoksa su, elektrik ve deterjan tasarrufu yapmak için yarım yükleme çevrimi kullanılabilir.

**Kullanılacak deterjan miktarı yarıya indirilebilir.**

## Ekstra Hafif

Yalnızca EKSTRA yıkama çevrimi ile uyumludur.

Bu seçenek, EKSTRA çevrimini büyük ve hassas bulaşıklar ile malzemeler için uygun hale getirir. Bu seçenek, herhangi bir kurutma aşaması içermemektedir.

**⚠ Bulaşık ve malzemelerin bulaşık makinesinde yıkanabilir olduğundan emin olun.**



## Çok işlevli Tabletler (Tabs)

Bu opsiyon yıkama ve kurutma sonucunu optimize eder.

Çok işlevli tablet kullanılırken ÇOK İŞLEVLİ TABLET tuşuna basın, sembol yanar, tuşa yeniden basma opsiyonunu iptal eder.

**“Çok İşlevli Tablet” opsiyonu programın süresini uzatır.**

**Tablet kullanımı sadece bu opsiyon mevcut olduğunda önerilir ve çok işlevli tablet kullanımını öngörmeyen programlarla önerilmez.**



## Gecikmeli Başlatma

Programı 11 ila 24 saat arasında bir süreyle gecikmeli olarak başlatmak mümkündür.

1. İsteddiğiniz yıkama çevrimini ve gerekli olan başka seçeneği seçin ve DELAYED START (Gecikmeli Çalıştırma) düğmesine basın. Gösterge ışığı yanar. Yıkama çevrimi başladığında, seçim yapmak için aynı düğmeyi kullanın (h01, h02, vs.)

2. BAŞLAT/DURAKLAR düğmesine basarak geri dönüşümü başlatın ve seçimi onaylayın.

3. Seçilen süre dolduktan sonra GECİKMELİ BAŞLATMA göstergesi ışığı sönecek ve yıkama çevrimi başlayacaktır.

GECİKMELİ BAŞLATMA seçeneğini iptal etmek için, **KAPALI** yazısı görününceye kadar GECİKMELİ BAŞLATMA düğmesine basın.

**Gecikmeli Başlatma işlevi, bir yıkama çevrimi başlatıldıktan sonra ayarlanamaz.**

\* Yalnızca belirli modellerde bulunmaktadır.

**⚠ Sadece bulaşık makineleri için özel olarak tasarlanmış ürünleri kullanın.**

**Sofra tuzu, endüstriyel tuz yada sıvı bulaşık deterjanı kullanmayın.**

**Paket üzerinde verilen talimatları izleyin.**

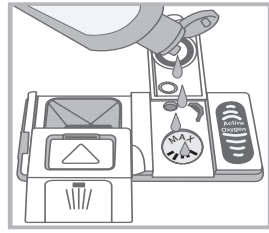
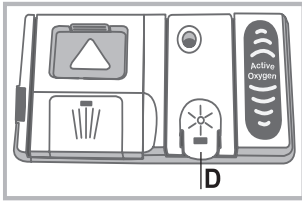
**⚠ Çok fonksiyonlu bir ürün kullanıyorsanız, parlatıcı eklemeniz gerekmez. Ancak, özellikle suyun sert veya çok sert olduğu bir bölgede yaşıyorsanız mutlaka tuz eklemenizi öneririz. (Paket üzerinde verilen talimatları izleyin).**

**⚠ Tuz ya da parlatıcı eklemesenziz YETERSİZ TUZ\* YETERSİZ PARLATICI\* gösterge ışığı kesintisiz yanar.**

## Parlatıcı Ölçümü

Parlatıcı, su bulaşık yüzeylerinden daha rahat aktığı ve böylece iz veya leke bırakmadığı için yemek takımlarının kurumasını kolaylaştırır. Parlatıcı, dağıtım bölgesi aşağıdakiler olduğunda doldurulmalıdır:

- Kontrol panelinde YETERSİZ PARLATICI gösterge ışığı\* yanarsa, 1-2 yıkama devri kadar bir parlatıcı hala mevcut demektir;



1. Sekmeye basıp yukarı çekerek dağıtıcıyı "D" açın (kapağın üzerindeki sekme);
2. Dolum bölgesinin maksimum seviye çentiğine kadar dikkatlice parlatıcı ekleyin; başka yere dökülmemesine dikkat edin. Taşarsa, dökülenleri hemen kuru bir bezle silin.
3. "Klik" sesi duyana kadar kapağı bastırıp kapatın.

**KEŞİNLİKLE parlatıcıyı doğrudan cihazın yıkama bölümüne dökmeyin.**

## Parlatıcı miktarının ayarlanması

Kurutma sonuçlarından tam anlamıyla memnun değilseniz parlatıcı miktarını ayarlayabilirsiniz. **AÇMA/KAPATMA** düğmesini kullanarak bulaşık makinesini açıp kapatın.

Başlat/Duraklat düğmesine 3 kez basın; AÇMA/KAPAMA düğmesini kullanarak makineyi açın ve ayar menüsüne ulaşın; parlatıcının gösterge ışığı yanar (*fabrika düzeyine ayarlama*) P yıkama çevrimi düğmesi P'ye basarak parlatıcı miktarını seçin (0'dan 4'e kadar)

**Ayarı kaydetmek için AÇMA/KAPATMA düğmesine basın.**

Parlatıcı seviyesi ZERO (Sıfır) olarak ayarlanırsa parlatıcı kullanılmaz. Parlatıcı bitince YETERSİZ PARLATICI gösterge ışığı yanmaz.

- Bulaşıkların üzerinde çizgiler oluşuyorsa, daha küçük bir sayı ayarlayın (1-2).
- Bulaşıkların üzerinde su damlaları oluşuyorsa, ayarlayıcıyı daha büyük bir sayıya getirin (3-4).

## Su sertliğinin ayarlanması

Her bulaşık makinesinde özellikle bu tür cihazlar için tasarlanan işlenmiş tuz kullanarak daha sonra bulaşıkları yıkamak için kullanılan suyun içindeki kireci alan bir su yumuşatıcısı bulunmaktadır. Bulaşık makinesi, kirliliği azaltacak ve bölgenizdeki su sertliğine

göre yıkama performansını optimize edecek seçenekler sunmaktadır. Bu konu hakkında detaylı bilgi için yerel su sağlayıcınıza danışın.

- AÇMA/KAPAMA düğmesini kullanarak bulaşık makinesini açın, birkaç saniye bekleyin ve aynı düğmeyi kullanarak makineyi kapatın. Başlat/Duraklat düğmesini 3 dakika basılı tutun; AÇMA/KAPAMA düğmesini kullanarak makineyi kapatın ve ayar menüsüne erişin - tuzun gösterge ışığı yanar.

- P P düğmesini kullanarak istenilen seviyeyi seçin (bulaşık makinesi modeline göre 1 ila 5\* arası bir seviye seçin) (*su yumuşatıcı orta seviyeye ayarlı*).

**Ayarı kaydetmek için AÇMA/KAPATMA düğmesine basın.**

Çok işlevli tabletler kullanıyor olsanız bile tuz dağıtıcısını doldurun.

Su Sertliği Tablosu				Ortalama tuz dağıtıcı kapasitesi süresi**
Seviye	°dH	°fH	mmol/l	ay
1	0 - 6	0 - 10	0 - 1	7 ay
2	6 - 11	11 - 20	1,1 - 2	5 ay
3	12 - 17	21 - 30	2,1 - 3	3 ay
4	17 - 34	31 - 60	3,1 - 6	2 ay
5*	34 - 50	61 - 90	6,1 - 9	2/3 hafta

0°f ile 10°f arasındaki değerler için tuz kullanmanızı tavsiye etmiyoruz.  
\* 5 ayarının seçilmesi devir süresini uzatabilir.  
\*\* günde 1 yıkama devri.

(°dH = Alma ölçü sisteminde ölçülen sertlik - °f = Fransız ölçü sisteminde ölçülen sertlik - mmol/l = litre başına milimol)

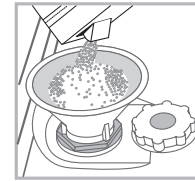
## İşlenmiş tuzun ölçülmesi

Bir yıkama devrinden mümkün olan en iyi sonucu elde etmek için, tuz dağıtım bölgesini kesinlikle boş bırakmayın.

Rafine tuz kireci sudan temizler ve bu sayede çanak çömlekte kalıntı oluşmasını önler.

Tuz dağıtıcı, bulaşık makinesinin alt kısmında bulunmakta olup (*bkz. Açıklama*) şu şekilde doldurulmalıdır:

- Tuz dağıtıcısının kapağına bakıldığında yeşil ibre\* görünmediğinde;
- Panel/gösterge üzerinde YETERSİZ PARLATICI gösterge ışığı yandığında\*;



1. Alt rafı sökün ve kapağını vidalarını açın (saat yönünün tersine).

2. Bunu ilk kez yapıyorsanız, su tankını kenarına kadar doldurun.

3. Huniyi yerleştirin\* (*bkz. şekil*) ve tuz dağıtıcısı kenar kısmına kadar doldurun (yaklaşık 1 kg). Bir miktar suyun taşması doğaldır.

4. Huniyi\* çıkartın ve açıklık üzerinde kalan tüm tuz artıklarını temizleyin; akan su altında kapağı durulayın ve ardından kapağın alt kısmında yıldız şeklinde düzenlenmiş olarak bulunan dört yarıktan suyun dışarı çıkmasını sağlamak için aşağıya doğru bakan başlığa tekrar vidalayın (yeşil şamandıralı başlık\*).

**Dağıtıcıya her tuz eklediğinizde bu işlemleri gerçekleştirmenizi tavsiye ederiz.**

Kapağın yerine sıkıca vidalanmış olduğundan emin olun; böylece yıkama döngüsü süresince kabin içine herhangi bir deterjan madde giremeyecektir (Bu durum su yumuşatıcısına tamir edilemez bir şekilde zarar verebilir).

**⚠** Gerektiğinde, tuz bölgesinden dışarı sızan her türlü tuz solüsyonun temizlenebilmesi için tuzu yıkama devrinden önce ölçüp ayırın.

\* Yalnızca belirli modellerde bulunmaktadır.

# Bakım ve onarım

TR

## Su ve elektrik bağlantısının kapatılması

- Sızıntıları önlemek için her yıkama devrinden sonra su musluğunu kapatın.
- Makine temizlenirken ya da bakımı yapılırken makinenin fişini çekin.

## Bulaşık makinesinin temizlenmesi

- Makinenin dış yüzeyini ve kontrol panelini suyla nemlendirilmiş aşındırıcı olmayan bir bezle kullanarak silin. Çözücü veya aşındırıcı ürünler kullanmayın.
- Cihaz içinde oluşan leke ya da izler nemli bir bez ile ve az bir sirke ile temizlenebilir.

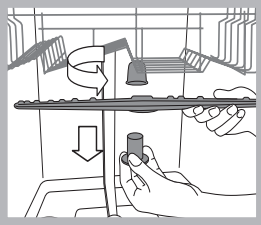
## İstenmeyen kokuların önlenmesi

- Her zaman makine içerisinde nem oluşmasını ve hapsolmesini önlemek için cihazın kapağını yarı açık durumda tutun.
- Kapak ve deterjan dağıtım bölmelerinin çevresindeki contaları düzenli aralıklarla nemli bir bezle silin. Bu, yiyecek artıklarının bantlar üzerinde kalmasını engelleyecek ve bu artıkların neden olduğu istenmeyen kokuların oluşumunu önleyecektir.

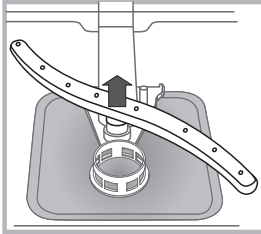
## Püskürtücü kollarının temizlenmesi

Yiyecek kalıntısı püskürtücü kolların üzerine kabuk tutabilir ve suyu püskürtmek için kullanılan delikleri tıkayabilir. Bu nedenle, kolların ara sıra kontrol edilmesini ve metal olmayan küçük bir fırça ile temizlenmesini öneririz.

Her iki püskürtücü kol da çıkartılabilir.



Üst püskürtücü kolunu çıkarmak için, plastik kilitleme halkasını saat yönünün aksi istikametinde döndürün. Üst püskürtücü kolu daha çok sayıda delik bulunan taraf yukarı bakacak şekilde değiştirilmelidir.



Alt püskürtücü kol, yandaki sekmelere basarak ve yukarıya doğru çekerek çıkartılabilir.

## Su Giriş Filtresinin Temizlenmesi\*

Su hortumları yeniyse ya da uzun bir süre boyunca kullanılmamışsa, gerekli bağlantıları yapmadan önce hortumların temiz ve artıklardan arındırılmış olduğundan emin olmak için su hortumlarından su geçişine izin verin. Söz konusu önlem alınmazsa su girişi tıkanabilir ve bulaşık makinesi hasar görebilir.

- ⚠ Musluk çıkışıdaki su giriş filtresini düzenli olarak temizleyin.
- Su musluğunu kapatın.
- Su giriş hortumunun ucunun vidalarını sökün, filtreyi çıkartın ve akan suyun altında dikkatlice temizleyin.
- Filtreyi yenisi ile değiştirin ve su hortumunu eski pozisyonunda vidalayın.

## Filtrelerin temizlenmesi

Filtre grubu, yıkama suyundan yiyecek kalıntılarını temizleyen ve suyu tekrar döndüren üç ayrı filtreden oluşmaktadır. Her yıkamada en iyi sonuçları elde etmek için temizlenmelidirler.

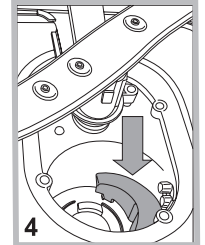
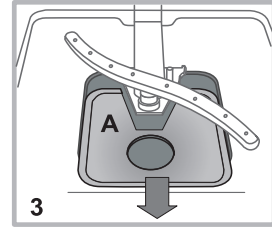
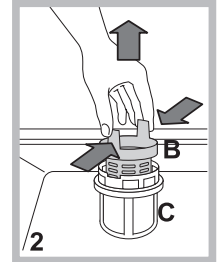
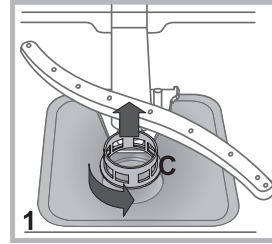
⚠ Filtreleri düzenli aralıklarla temizleyin.

⚠ Bulaşık makinesi filtreler bulunmadan ya da filtreler gevşek durumdayken kullanılmamalıdır.

• Birkaç yıkamadan sonra, filtre takımını kontrol edin ve gerekiyorsa akan musluk suyunun altında metal olmayan bir fırça kullanarak ve aşağıdaki talimatlara uyarak iyice temizleyin:

1. C silindirik filtresini saat yönünün tersine döndürün ve dışarı çekin (şek. 1).
2. Kapak filtresi B'yi yan kanatlara hafif basınç uygulayarak çıkartın (şek 2).
3. Paslanmaz çelik plaka filtresi A'yı dışarı doğru kaydırın (şek. 3).
4. Tıkacı kontrol edin ve her türlü yiyecek kalıntısını temizleyin.

Yıkama devri pompa korumasını **ASLA SÖKMEYİN** (siyah kısım) (şek.4).



Filtreleri temizledikten sonra filtre grubunu yeniden yerine takın ve sabitleyin; bu durum bulaşık makinesinin verimli kullanımının elde edilmesi için gereklidir.

## Makinenin uzun süre kullanılmaması

- Cihazın elektrik bağlantısı kesin ve su musluğunu kapatın.
- Cihazın kapağını yarı açık durumda bırakın.
- Geri döndüğünüzde, bulaşık makinesi boş halde bir yıkama devri yaptırın.

\* Yalnızca belirli modellerde bulunmaktadır.



Cihazın çalışmasında problem olması durumunda Destek talebinde bulunmadan önce aşağıdaki listede bulunan çözüm yollarını kontrol edin:

TR

Sorun:	Olası nedenleri / çözümler:
<b>Bulaşık makinesi çalışmıyor veya kontrol edilemiyor.</b>	<ul style="list-style-type: none"><li>• AÇMA/KAPATMA düğmesine basarak cihazı kapatın. Yaklaşık bir dakika sonra yeniden açın ve programı sıfırlayın.</li><li>• Makine fişi doğru takılmamıştır.</li><li>• Bulaşık makinesinin kapağı düzgün kapatılmamıştır.</li></ul>
<b>Kapak kapatılmıyor.</b>	<ul style="list-style-type: none"><li>• Kilit serbest kalmıştır. "Klik" sesi duyulana kadar kapağı güçlüce itin.</li></ul>
<b>Bulaşık makinesinden hiç su tahliye edilmiyor.</b>	<ul style="list-style-type: none"><li>• Bulaşık makinesinin yıkama çevrimi henüz sona ermemiştir.</li><li>• Su tahliye hortumu bükülmüştür (bkz. Montaj).</li><li>• Pis su borusu tıkalıdır.</li><li>• Filtre, yiyecek artıkları nedeniyle tıkanmıştır.</li></ul>
<b>Bulaşık makinesi çok gürültü çıkarıyor.</b>	<ul style="list-style-type: none"><li>• Tabaklar birbirlerine veya püskürtücü kollara çarparak ses çıkartıyordur.</li><li>• Aşırı köpük meydana geldi: deterjan doğru ölçülmemiş ya da bulaşık makinelerinde kullanılmaya uygun değil (bkz. Başlatma ve Kullanım).</li></ul>
<b>Bulaşıklar ve bardaklar beyaz bir tabaka ile ya da kireç ile kaplanıyor.</b>	<ul style="list-style-type: none"><li>• Rafine tuz seviyesi düşük veya dozaj ayarı su sertliğine uygun değil (bkz. Parlatıcı ve Tuz).</li><li>• Tuz dağıtıcısındaki kapak doğru kapatılmamış.</li><li>• Parlatıcı bitmiştir veya dozaj çok azdır.</li></ul>
<b>Tabak ve bardaklarda çizgiler yada mavimsi lekeler oluşuyor.</b>	<ul style="list-style-type: none"><li>• Parlatıcı dozajı çok fazla.</li></ul>
<b>Tabak takımları düzgün kurutulmamış.</b>	<ul style="list-style-type: none"><li>• Kurutma programsız bir yıkama çevrimi seçilmiştir.</li><li>• Parlatıcı bitmiştir veya dozaj çok azdır (bkz. Parlatıcı ve Tuz).</li><li>• Parlatıcı ayarı uygun değil.</li><li>• Yıkama ürünleri yapışmaz veya plastik malzemeden üretilmiştir.</li></ul>
<b>Tabaklar temizlenmemiş.</b>	<ul style="list-style-type: none"><li>• Raflar çok fazla doldurulmuştur (bkz. Rafların Doldurulması).</li><li>• Yemek takımları doğru yerleştirilmemiştir.</li><li>• Püskürtme kolları serbest hareket edemiyordur.</li><li>• Yıkama çevrimi çok hassastır (bkz. Yıkama Çevrimleri).</li><li>• Aşırı köpük meydana geldi: deterjan doğru ölçülmemiş ya da bulaşık makinelerinde kullanılmaya uygun değil (bkz. Başlatma ve Kullanım).</li><li>• Parlatıcı bölmesinin kapağı doğru kapatılmamıştır.</li><li>• Filtre kirli veya tıkalıdır (bkz. Temizlik ve Bakım).</li><li>• Rafine tuz seviyesi azdır (bkz. Parlatıcı ve Tuz).</li></ul>
<b>Bulaşık makinesi içeri hiç su almıyor - Musluk kapalı alarmı</b> (AÇMA/KAPAMA gösterge ışığı yanıp sönüyor; H2O görüntülenir; birkaç saniye sonra F 6 görüntülenir.)	<ul style="list-style-type: none"><li>• Şebeke suyu kesiktir.</li><li>• Su giriş hortumu bükülmüştür (bkz. Montaj).</li><li>• Musluğu açın; makine birkaç dakika sonra çalışacaktır.</li><li>• Bip sesi duyulduğunda herhangi bir işlem yapılmadığından makine kilidi etkinleştirildi*. (*Yalnızca belirli modellerde bulunmaktadır.)</li></ul> <p>AÇMA/KAPAMA düğmesini kullanarak makineyi kapatın, musluğu açın ve 20 saniye sonra aynı düğmeye basarak makineyi tekrar açın. Makineyi tekrar programlayın ve yıkama çevrimini yeniden başlatın.</p>

\* Yalnızca belirli modellerde bulunmaktadır.

RU

Русский, 58

DFP 58T94

## Содержание

### Предосторожности и рекомендации, 59

Общие требования к безопасности

Утилизация

Энергосбережение и охрана окружающей среды

### Установка, 60-61-62

Расположение и нивелировка

Водопроводное и электрическое подсоединения

Предупреждения по первому использованию машины

Первое включение

Технические данные

### Описание изделия, 63

Общий вид

Панель управления

### Загрузка корзин, 64-65

Нижняя корзина

Верхняя корзина

Регуляция высоты верхней корзины

Третья корзина\*

### Включение и эксплуатация, 66

Запуск посудомоечной машины

Загрузка моющего средства

### Программы, 67

Таблица программ

### Специальные программы и Дополнительные функции, 68

### Ополаскиватель и регенерирующая соль, 69

Заливка ополаскивателя

Загрузка регенерирующей соли

### Техническое обслуживание и уход, 70

Отключение воды и электрического тока

Чистка посудомоечной машины

Средства против неприятных запахов

Чистка оросителей


Чистка фильтра подачи воды

Чистка фильтров

Длительный простой машины

### Неисправности и методы их устранения, 71

### Сервисное обслуживание, 72

 Изделие спроектировано и изготовлено в соответствии с международными нормативами по безопасности. Настоящие инструкции составлены в целях вашей безопасности и должны быть внимательно прочитаны.

Важно сохранить данное руководство для его последующих консультации. В случае продажи, передачи или переезда проверьте, чтобы данное техническое руководство сопровождало изделие.

Необходимо внимательно прочитать настоящие инструкции: в них содержатся важные сведения об установке изделия, его эксплуатации и безопасности.

Данное изделие предназначено для бытового или другого аналогичного использования, например:

- в помещениях, предназначенных для приготовления пищи для персонала магазинов, офисов и прочих учреждений;
- в агротуристических усадьбах;
- для использования проживающими в гостинице, мотеле и в других временных местах проживания;
- в гостиницах типа «номер с завтраком».

## Общие требования к безопасности

- Данный электроприбор не может быть использован лицами (включая детей) с ограниченными физическими, сенсорными или умственными способностями, неопытными или незнакомыми с инструкциями обращения с электроприбором, в отсутствие контроля лиц, ответственных за их безопасность.
- Взрослые должны следить, чтобы дети не играли с электроприбором.
- Данное изделие предназначается для непрофессионального использования в домашних условиях.
- Изделие предназначено для мытья посуды в домашних условиях, может быть использовано только взрослыми людьми в соответствии с инструкциями, приведенными в данном техническом руководстве.
- Запрещается устанавливать изделие на улице, даже под навесом, так как воздействие на него дождя и грозы является чрезвычайно опасным.
- Не прикасайтесь к посудомоечной машине с босыми ногами.
- Не тяните за сетевой кабель для отсоединения вилки изделия из сетевой розетки, возьмитесь за штепсельную вилку рукой.
- Необходимо перекрыть водопроводный кран и вынуть штепсельную вилку из сетевой розетки перед началом чистки и технического обслуживания машины.
- В случае неисправности категорически запрещается открывать внутренние механизмы изделия с целью их самостоятельного ремонта.
- Не опирайтесь и не садитесь на открытую дверцу машины: машина может опрокинуться.
- Не держите дверцу открытой, так как об нее можно случайно споткнуться.
- Храните моющие средства и ополаскиватель вдали от детей.
- Не разрешайте детям играть с упаковочными материалами.

## Утилизация

- Утилизация упаковочных материалов: соблюдайте местные нормативы по утилизации упаковочных материалов.
- Согласно Европейской Директиве 2012/19/EU касательно утилизации электронных и электрических электроприборов (**WEEE**) электроприборы не должны выбрасываться вместе с обычным городским мусором. Выведенные из строя приборы должны собираться отдельно для оптимизации их утилизации и рекуперации составляющих их материалов, а также для безопасности окружающей среды и здоровья. Символ зачеркнутая мусорная корзина, имеющийся на всех приборах, служит напоминанием об их отдельной утилизации. За более подробной информацией о правильной утилизации бытовых электроприборов пользователи могут обратиться в специальную государственную организацию или в магазин.

## Энергосбережение и охрана окружающей среды

### Экономия воды и электроэнергии

- Используйте посудомоечную машину только с полной загрузкой. В ожидание полного заполнения машины во избежание образования неприятных запахов включите цикл Ополаскивание (*см. Программы*).
- Выбирайте программу мойки, подходящую для данного типа посуды и степени загрязнения в соответствии с Таблицей программ:
  - для нормально грязной посуды используйте программу Eco, обеспечивающую низкий расход электроэнергии и воды.
  - если машина загружена не полностью, включите дополнительную функцию Половина загрузки \* (*см. Запуск и эксплуатация*).
- Если ваш контракт с поставщиком электроэнергии предусматривает разные часовые тарифы для экономии электроэнергии, пользуйтесь машиной во время с льготным тарифом. Дополнительная функция Запуск с задержкой\* (*см. Запуск и эксплуатация*) может помочь спланировать мойку с энергосбережением.

### Моющие средства, не содержащие фосфатов, хлора и содержащие ферменты

- Настоятельно рекомендуем использовать моющие средства, не содержащие фосфатов и хлора, что помогает сохранить окружающую среду.
- Ферменты оказывают особо эффективное воздействие при температуре около 50°C, поэтому при использовании моющих веществ с ферментами можно выбрать программы мойки с низкими температурами, получая те же результаты, что и при мойке при 65°C.
- Аккуратно дозируйте моющее средство в соответствии с указаниями производителя, с степенью жесткости воды, со степенью загрязнения и с количеством посуды во избежание нерационального расхода. Хотя моющие средства и являются биоразлагаемыми, они содержат вещества, отрицательно влияющие на природу.

\* Имеется только в некоторых моделях

# Установка

RU

**⚠** В случае переезда перевозите машину в вертикальном положении. В случае крайней необходимости машина может быть положена задней стороной вниз.

## Расположение и нивелировка

1. Снимите упаковку с изделия и проверьте, чтобы на нем не было повреждений, нанесенных при транспортировке. При обнаружении повреждений не подсоединяйте машину, а обратитесь к продавцу.

2. Установите посудомоечную машину в нишу кухонного гарнитура, так чтобы сбоку или сзади она прилегала к стене или к кухонным элементам. Изделие также может быть встроено под сплошной столешницей кухонного гарнитура\* (см. схему Монтажа).

3. Установите посудомоечную машину на ровный и твердый пол. Выровняйте машину, отвинчивая или завинчивая передние опорные ножки до идеально горизонтального положения машины. Точная нивелировка гарантирует стабильность и помогает избежать вибраций, шумов и смещений машины.

4\*. Отрегулируйте высоту задней опоры, повернув шестигранную красную втулку, расположенную спереди, в центральной нижней части посудомоечной машины, шестигранным разводным ключом с раскрытием 8 мм по часовой стрелке для увеличения высоты и против часовой стрелки для ее уменьшения. (смотрите инструкции по встроенному монтажу, прилагающиеся к документации)

## Водопроводное и электрическое подсоединения

**⚠** Электрическое и водопроводное подсоединения машины должны выполняться только квалифицированным техником.

**⚠** Посудомоечная машина не должна давить на трубы или на провод электропитания.

**⚠** Изделие должно быть подсоединено к водопроводу при помощи новых труб. Не используйте б/у трубы.

Трубы подачи воды и слива и провод электропитания могут быть направлены вправо или влево для оптимальной установки машины.

### Подсоединение шланга подачи воды

- К крану холодной воды: прочно привинтите трубу подачи воды к крану с резьбовым отверстием 3/4 газ. Перед закруткой дайте стечь воде до тех пор, пока она не станет прозрачной во избежание засорения машины нечистотами.
- К крану горячей воды: если в вашем доме централизованная система отопления, посудомоечная машина может быть запитана горячей водой из водопровода, если температура воды не превышает 60°C.

**⚠** Привинтите трубу к крану, как описано выше для подсоединения холодной воды.

**⚠** Если длина водопроводного шланга будет недостаточной, следует обратиться в специализированный магазин или к уполномоченному сантехнику (см. Техническое обслуживание).

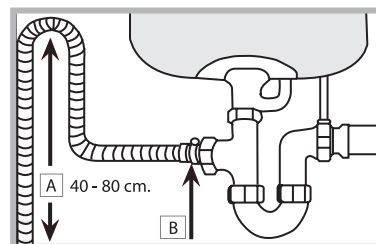
**⚠** Давление воды должно быть в пределах значений, указанных в таблице Технические данные (см. сбоку).

Проверьте, чтобы водопроводный шланг не был заломлен или сжат.

### Подсоединение сливного шланга

Подсоедините сливной шланг, не сгибая его, к сливному трубопроводу с минимальным диаметром 4 см.

Сливной шланг должен быть расположен на высоте от 40 до 80 см от пола или от платформы посудомоечной машины (А).



Перед подсоединением сливного шланга к сифону мойки снимите пластиковую пробку (В).

### Защита против затопления

Во избежание затопления посудомоечная машина:

- оснащена системой, перекрывающей подачу воды в случае аномалии или внутренних утечек.

Некоторые модели оснащены дополнительным защитным устройством New Acqua Stop\*, предохраняющим от затопления даже в случае разрыва водопроводного шланга.



### ВНИМАНИЕ: ОПАСНОЕ НАПРЯЖЕНИЕ!

Категорически запрещается обрезать шланг подачи воды, так как вдоль него проходят элементы под напряжением.

### Электрическое подсоединение

Перед подсоединением вилки машины к электрической розетке необходимо проверить следующее:

- сетевая розетка должна быть соединена с заземлением и соответствовать нормативам;
- электрическая розетка должна быть рассчитана на максимальную потребляемую мощность изделия, указанную на заводской табличке, расположенной с внутренней стороны дверцы.
- (см. Описание посудомоечной машины);
- напряжение сети электропитания должно соответствовать данным на паспортной табличке, расположенной с внутренней стороны дверцы машины;
- сетевая розетка должна быть совместима со штепсельной вилкой изделия. В противном случае поручите замену вилки уполномоченному технику (см. Техническое обслуживание); не используйте удлинители и тройники.

**⚠** Изделие должно быть установлено таким образом, чтобы провод электропитания и электророзетка были легко доступны.

**⚠** Сетевой кабель изделия не должен быть согнут или сжат.

**⚠** Если сетевой кабель поврежден, во избежание опасности поручите его замену производителю изделия или уполномоченному Центру технического обслуживания. (См. Техническое обслуживание)

### Пленка защиты от конденсата\*


После установки посудомоечной машины в нишу кухонного элемента откройте ее дверцу и наклейте прозрачную самоклеящуюся полосу снизу деревянной кухонной рабочей поверхности для ее защиты от возможного конденсата.

### Предупреждения по первому использованию машины

После монтажа вынуть заглушки, установленные на корзинах, и снять крепежные резинки с верхней корзины (если имеются).

Непосредственно перед первой мойкой, непосредственно перед первым циклом мойки заполните бачок соли водой и засыпьте в него примерно 1 кг соли (см. раздел *Ополаскиватель и регенерирующая соль*): если вода будет вытекать из бачка, это нормальное явление. Выберите степень жесткости воды (см. раздел *Ополаскиватель и регенерирующая соль*).

- После загрузки соли индикатор **ОТСУТСТВИЕ СОЛИ\*** гаснет.



 Если бачок не будет заполнен солью, смягчитель воды и нагревательный элемент могут повредиться.

Машина оснащена акустическими/звуковыми сигналами (в зависимости от модели посудомоечной машины), которые предупреждают о выполнении команды: включение, конец цикла и т.п.

Символ/индикаторы на консоли управления/дисплее могут иметь разные цвета, мигать или гореть постоянно. (в зависимости от модели посудомоечной машины).

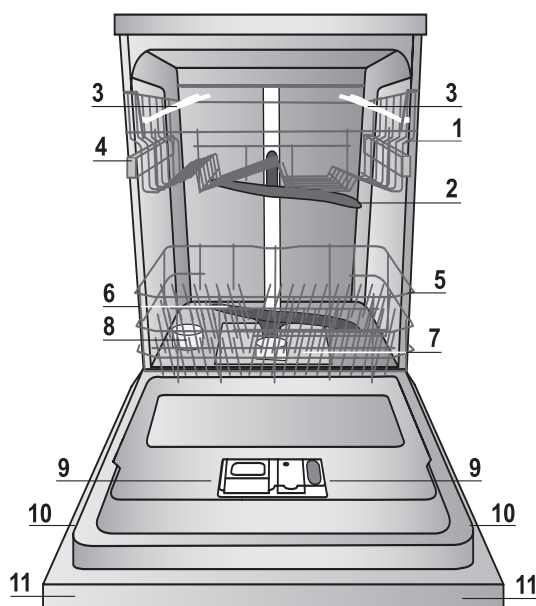
На дисплее показываются сведения о заданном цикле, этапе мойки/сушки, остаточном времени, температуре и т.п.

\* Имеется только в некоторых моделях

Изделие:	Посудомоечная машина
Торговая марка:	
Торговый знак изготовителя:	
Модель:	<b>DFP 58T94</b>
Изготовитель:	Indesit Company
Страна-изготовитель:	Сделано в Польше (POLAND)
Загрузка	14 столовых наборов
Размеры	ширина 60 см высота 85 см глубина 60 см
Номинальное значение напряжения электропитания или диапазон напряжения	220-240 V ~
Условное обозначение рода электрического тока или номинальная частота переменного тока	50 Hz
Давление воды	0,05-1МПа (0,5-10 bar) 7,25-145 psi
Предохранитель	См. табличку технических данных на оборудовании
Класс мойки	A
Класс сушки	A
Класс энергопотребления	A
Потребление электроэнергии	0,93 кВт/час
Потребление воды за стандартный цикл мойки	9 л
Класс защиты от поражения электрическим током	Класс защиты I
    <b>IPX0</b> В случае необходимости получения информации по сертификатам соответствия или получения копий сертификатов соответствия на данную технику, Вы можете отправить запрос по электронному адресу <a href="mailto:cert.rus@indesit.com">cert.rus@indesit.com</a> .	Оборудование соответствует следующим директивам Европейского Экономического Сообщества: -2006/95/EC («Низкое напряжение») - 2004/108/EC («Электромагнитная совмести-мость») - 2009/125/EC («Comm. Reg. 1016/2010») (Ecodesign) - 2012/19/EU («Утилизация электрического и электронного») - 97/17/EC (Этикетирование) <b>"Упаковка и отдельные ее элементы не предназначены для контакта с пищей"</b>
Дату производства данной техники можно получить из серийного номера, расположенного под штрих-кодом (S/N XXXXXXXXXX * XXXXXXXXXX), следующим образом:	- 1-ая цифра в S/N соответствует последней цифре года, - 2-ая и 3-я цифры в S/N - порядковому номеру месяца года, - 4-ая и 5-ая цифры в S/N - числу определенного месяца и года.
Производитель:	Indesit Company S.p.A. Виале А. Мерлони 47, 60044, Фабриано (АН), Италия
Импортер:	ООО "Индезит РУС"
С вопросами (в России) обращаться по адресу:	до 01.01.2011: Россия, 129223, Москва, Проспект Мира, ВВЦ, пав. 46 с 01.01.2011: Россия, 127018, Москва, ул. Двинцев, дом 12, корп. 1

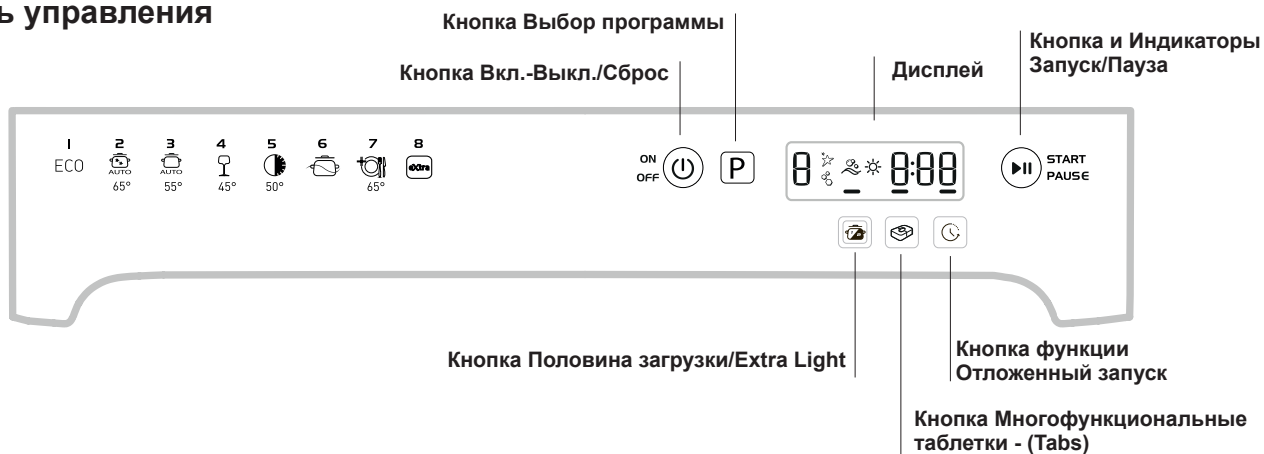
# Описание изделия

## Общий вид



1. Верхняя корзина
2. Верхний ороситель
3. Откидные полочки
4. Регулятор высоты корзины
5. Нижняя корзина
6. Нижний ороситель
7. Фильтр мойки
8. Бачок для соли
9. Дозаторы моющего вещества, дозатор ополаскивателя и устройство Active Oxigen\*
10. Паспортная табличка
11. Консоль управления\*\*\*

## Панель управления



## Дисплей



\*\*\* Только в полностью встраиваемых моделях.

\* Имеется только в некоторых моделях

Количество и тип программ и дополнительных функций варьирует в зависимости от модели посудомоечной машины.

# Загрузите корзины

RU

## Рекомендации

Перед загрузкой корзин удалите с посуды остатки пищи, вылейте оставшееся содержимое из стаканов и чашек.

### Ополаскивать посуду водой не требуется.

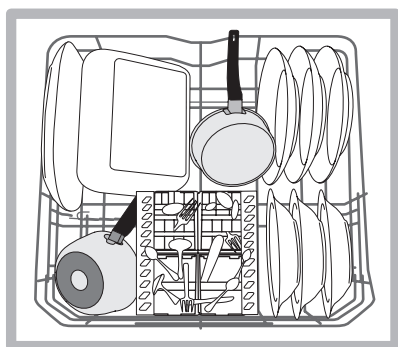
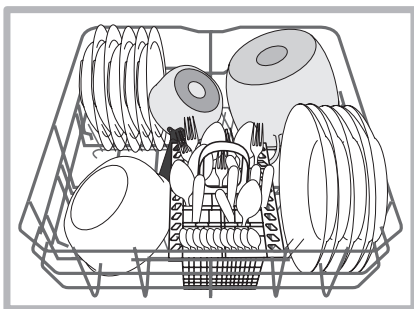
Разместить посуду в посудомоечной машине прочно, чтобы посуда не опрокинулась, установить посуду дном вверх или боком, чтобы вода могла промыть посуду внутри и стекать. Проверить, чтобы крышки, ручки, сковородки и подносы не препятствовали вращению оросителей. Мелкие столовые приборы разместить в корзинке для столовых приборов.

Пластиковая посуда и сковородки с тефлоновым покрытием могут удерживать капли воды, следовательно их сушка может быть менее эффективной по сравнению с посудой из керамики или стали.

Легкую посуду (например, пластиковую) рекомендуется поместить в верхнюю корзину так, чтобы посуда не двигалась. Загрузив посуду, проверьте, чтобы лопасти оросителей могли свободно вращаться.

## Нижняя корзина

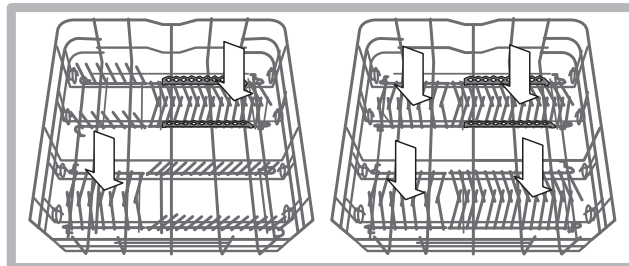
Нижняя корзина предназначена для кастрюль, крышек, тарелок, салатниц, столовых приборов и т.п. Большие тарелки и крышки рекомендуется размещать с боков корзины.



Рекомендуется разместить сильно грязную посуду в нижней корзине, так как в этой части струи воды более сильные и обеспечивают оптимальную мойку посуды.

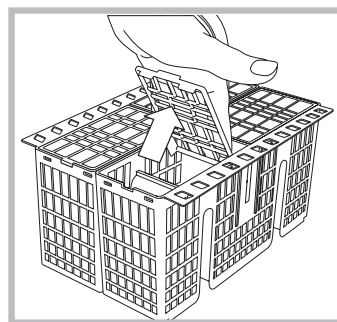
\* Имеются только в некоторых моделях и варьируют по количеству и расположению.

Некоторые модели посудомоечных машин оснащены наклонными отделениями\*, которые можно использовать также в вертикальном положении для размещения тарелок или в горизонтальном положении (наклонном) для более удобного размещения кастрюль и салатниц.



## Корзинка для столовых приборов

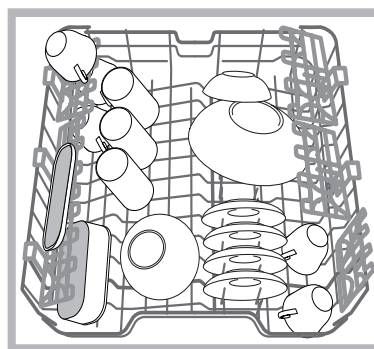
Корзинка для столовых приборов раскрывается и перемещается для оптимизации места в нижней корзине. Сверху в ней имеются решетки для более удобного размещения столовых приборов.



**⚠** Ножи и острые столовые приборы следует помещать в корзинку для столовых приборов острием вниз или разместить их на откидных полках в верхней корзине в горизонтальном положении.

## Верхняя корзина

Загрузить хрупкую и легкую посуду: стаканы, чашки, блюдца, мелкие салатницы.



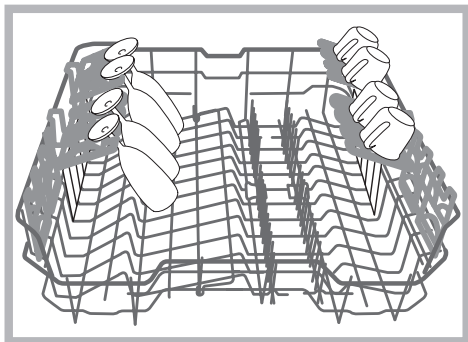
В некоторых моделях посудомоечных машин имеются откидные секции\*, используемые в вертикальном положении для размещения чайных блюдец или десертных тарелочек или в опущенном положении для размещения мисок и пищевых коробок.



### Откидные полки с варьируемым положением

Боковые откидные полки могут быть установлены на трех разных уровнях для оптимизации размещения посуды в корзине.

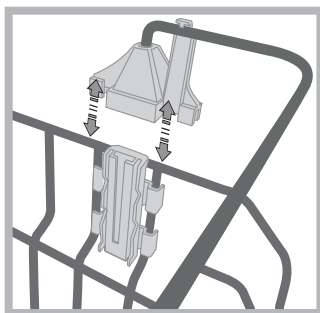
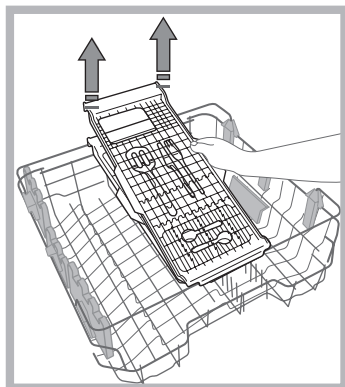
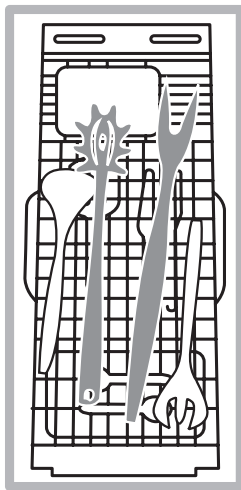
Бокалы можно стабильно поместить на откидные полки, вставив ножку бокала в специальные прорези.



### Полка для столовых приборов\*

В некоторых моделях посудомоечных машин может иметься выдвижной лоток, который можно использовать для столовых приборов или маленьких чашек. Для оптимальных результатов мойки не следует помещать на лоток крупную посуду.

Лоток для столовых приборов является съемным. (см. схему)



Перед загрузкой лотка проверьте, чтобы крепления были прочно прикреплены к верхней корзине. (см. схему)

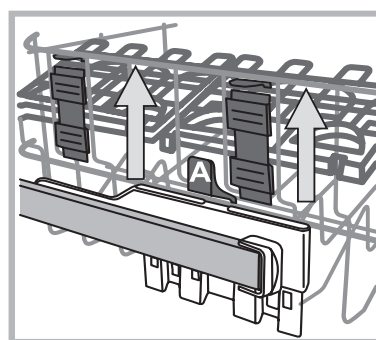
Верхнюю корзину можно регулировать по высоте в зависимости от нужд: в верхнем положении, когда в нижней корзине требуется разместить крупную посуду; в нижнем положении - для использования места для откидных полок, освобождая больше места сверху.

### Регуляция положения верхней корзины

Для облегчения размещения посуды можно отрегулировать высоту верхней корзины, установив ее выше или ниже.

**Рекомендуется регулировать высоту верхней корзины БЕЗ ПОСУДЫ.**

**НИКОГДА не поднимайте и не опускайте корзину, взявшись за нее только с одной стороны.**



Если корзина оснащена **Lift-Up\*** (см. схему), поднимите корзину, взявшись за нее с боков и переместив ее вверх. Для опускания корзины вниз нажмите на рычажки (A) с боков корзины и направьте корзину вниз.

### Посуда, непригодная для посудомоечных машин

- Деревянные столовые приборы и посуда.
- Деликатная посуда с узорами, посуда ручной работы и антикварная посуда. Узоры такой посуды повредятся в посудомоечной машине.
- Детали из синтетических материалов, неустойчивые к высокой температуре.
- Медная и оловянная посуда.
- Посуда, загрязненная пеплом, воском, смазочными веществами или чернилами.

Узоры по стеклу, алюминиевые и серебряные элементы могут изменить свой цвет и полинять. Некоторые виды стекла (например, хрусталь) после многократной мойки могут стать матовыми.

### Повреждение стекла и посуды

Причины:

- Тип и метод изготовления стекла.
- Химический состав моющего вещества.
- Температура воды в программе ополаскивания.

Рекомендации:

- Использовать только стаканы и фарфор, имеющие гарантию производителя для мытья в посудомоечных машинах.
- Использовать моющее вещество, предназначенное специально для посудомоечных машин.
- Вынуть стаканы и столовые приборы из посудомоечной машины как можно скорее по завершении программы.

\* Имеется только в некоторых моделях

# Запуск и эксплуатация

RU

## Запуск посудомоечной машины

1. Откройте водопроводный кран.
2. Нажмите кнопку ВКЛ.-ВЫКЛ.
3. Откройте дверцу и поместите в дозатор моющее вещество (см. ниже).
4. Загрузите посуду в корзины (см. *Загрузка корзин*) и закройте дверцу.
5. Выберите программу в зависимости от типа посуды и степени ее загрязнения (см. *Таблицу программ*), нажав кнопку **P**.
6. Выберите дополнительные функции мойки\* (См. *Специальные программы и дополнительные функции*).
7. Запустите программу кнопкой Пуск/Пауза: загорится индикатор мойки, и на дисплее показывается номер программы и время, остающееся до завершения цикла.
8. По завершении программы на дисплее показывается **END**. Выключите машину при помощи кнопки ВКЛ.-ВЫКЛ., перекройте водопроводный кран и отсоедините штепсельную вилку машины от сетевой розетки.
9. Подождите несколько минут перед тем, как вынуть посуду из машины во избежание ожогов. Выгрузку посуды из машины начинайте с нижней корзины.

**⚠** -В целях энергосбережения в некоторых случаях ПРОСТОЯ машина отключается автоматически.

**⚠ АВТОМАТИЧЕСКИЕ ПРОГРАММЫ\***: некоторые модели посудомоечных машин укомплектованы специальным сенсором, определяющим степень загрязнения и задающим оптимальный и экономный режим мойки. Продолжительность автоматических программ может варьировать благодаря этому сенсору.

### Изменение текущей программы

В случае ошибочного выбора программы ее можно изменить сразу же после запуска цикла: после запуска цикла для изменения программы мойки выключите машину, нажав на несколько секунд кнопку ВКЛ./ВЫКЛ./Отмена, и вновь включите ее той же кнопкой, вновь выберите нужную программу и дополнительные функции.

### Порядок догрузки посуды

Нажмите кнопку ПУСК/ПАУЗА, откройте дверцу машины, обращая внимание на выход пара, и доложите посуду. Нажмите кнопку Пуск/Пауза: цикл возобновится после длинного звукового сигнала.

**⚠** Если был задан отложенный запуск, по завершении обратного отсчета цикл мойки не запустится, но останется в режиме Пауза.

**⚠** При нажатии кнопки Пуск/Пауза для переключения машины в режим паузы, программа прерывается. На данном этапе нельзя изменить программу.

### Случайное прерывание мойки

Если в процессе мойки вы откроете дверцу машины или внезапно отключится электропитание, программа мойки прервется. Когда дверца машины закроется или вернется электроэнергия, программа возобновится с того момента, в который она была прервана.

## Загрузка моющего средства

Хороший результат мойки зависит также от правильной дозировки моющего средства, излишек которого не улучшает эффективность мойки, а только загрязняет окружающую среду.

В зависимости от степени загрязнения посуды можно настроить дозировку для каждого отдельного случая для жидкого или порошкового моющего средства.

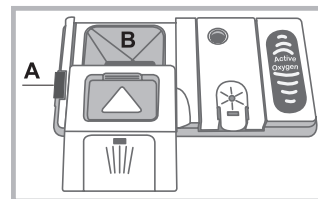
Обычно для нормального загрязнения используется примерно 35 гр (порошкового моющего средства) или 35 мл (жидкого). Если используются таблетки, достаточно одной штуки.

Если посуда несильно загрязнена или была предварительно ополоснута водой, значительно сократите дозу моющего средства.

Для качественной мойки соблюдайте инструкции, приведенные на упаковках с моющими веществами.

За дополнительными разъяснениями просим обращаться в отдел консультаций в Компании производителя моющих средств.

Для открывания дозатора моющего средства нажать на устройство открывания "А".



Поместить моющее средство в сухую ячейку "В". Моющее средство в количестве для предварительной мойки, помещается непосредственно в бак.

1. Используйте правильное количество моющего вещества согласно Таблице программ.

В дозаторе В имеется шкала, показывающая максимальный уровень жидкого моющего вещества или порошка для каждого цикла.

2. Удалите остатки моющего средства с краев дозатора и закройте крышку с щелчком.

3. Закройте крышку дозатора, прижав его сверху, вплоть до правильного зацепления запорного устройства.

Дозатор моющего вещества открывается автоматически в нужный момент в зависимости от программы.

Если используются комбинированные моющие средства, рекомендуется использовать функцию TABS, за счет которой программа обеспечивает оптимальный результат мойки и сушки.

**⚠** Используйте только специальные моющие средства для посудомоечных машин.

**НЕ ИСПОЛЬЗУЙТЕ** моющие средства для ручного мытья посуды.

Излишек моющего средства может оставить следы от пены по завершении цикла.

Рекомендуется использовать моющее средство в таблетках, только если в Вашей модели имеется дополнительная функция МНОГОФУНКЦИОНАЛЬНЫЕ ТАБЛЕТКИ.

Оптимальные результаты мойки и сушки достигаются только в случае использования моющего средства в порошке, жидкого ополаскивателя и регенерирующей соли.

Данные программы являются значениями, полученными в измерительной лаборатории в соответствии с европейским нормативом EN 50242. В зависимости от различных условий эксплуатации продолжительность и данные программы могут варьировать.

**⚠** Количество и типы программ и дополнительных функций варьируют в зависимости от модели посудомоечной машины.

Программа	Сушка	Дополнительные функции	Продолжительность программы час: мин	Расход воды (л/цикл)	Расход энергии (кВтч/цикл)
1. ECO	Да	Отложенный запуск - Половина загрузки - Tabs	03:10'	9,0	0,93
2. Интенсивная 	Да	Отложенный запуск - Половина загрузки - Tabs	02:00' - 03:10'	14,0 - 15,5	1,50 - 1,80
3. Обычная мойка 	Да	Отложенный запуск - Половина загрузки - Tabs	01:30' - 02:30'	14,5 - 16,0	1,20 - 1,35
4. Деликатная посуда 	Да	Отложенный запуск - Половина загрузки - Tabs	01:40'	11,0	1,10
5. Express 	Нет	Отложенный запуск - Tabs	00:30'	9,0	0,50
6. Предварительное ополаскивание 	Нет	Отложенный запуск - Половина загрузки	00:12'	4,5	0,01
7. Гигиенический 	Да	Отложенный запуск	01:20'	10,0	1,25
8. Extra 	Нет	Отложенный запуск - Extra Light (Половина загрузки)	01:00'	11,0	н.п.

## Рекомендации по выбору программ и дозировке моющего средства

1. Цикл мойки ECO является стандартной программой, к которой относятся данные на паспортной табличке машины; этот цикл подходит для посуды с нормальным загрязнением и является наиболее эффективным в плане энергосбережения и экономии воды для такого типа посуды. 29 гр/мл + 6 гр/мл\*\* – 1 Табл. (\*\*Количество моющего средства для предварительной мойки)
2. Очень грязные посуда и кастрюли (не использовать для мойки деликатной посуды). 35 гр/мл – 1 Табл.
3. Нормально загрязненная посуда и кастрюли. 29 гр/мл + 6 гр/мл\*\* – 1 Табл.
4. Цикл для деликатной посуды, более чувствительной к высокой температуре. 35 гр/мл – 1 Табл.
5. Короткий цикл для посуды с незначительным загрязнением. (оптимальный цикл для посуды на 2 персоны) 25 гр/мл - 1 Табл
6. Предварительная мойка в ожидании завершения полной загрузки машины после следующей трапезы. Без моющего средства.
7. Гигиенический цикл с высокой температурой Оптимально подходит для мойки посуды и детских бутылочек. 30 гр/мл – 1 Табл.
8. Посуда больших размеров (Не использовать для деликатной посуды) 35 гр/мл – 1 Табл

Расход в режиме сохранения энергии Расход в режиме left-on: 5,0 Вт - расход в выключенном состоянии: 0,5 Вт

н.п. не применяется

### Примечания:

оптимальный результат программ "Express" достигается при соблюдении указанного количества загружаемой посуды.

Для большей экономии используйте посудомоечную машину, когда она полностью загружена.

**Примечание для Испытательных Лабораторий:** для получения более подробной информации об условиях сравнительного испытания EN пошлите запрос на адрес: [assistenza\\_en\\_lvs@indesitcompany.com](mailto:assistenza_en_lvs@indesitcompany.com)

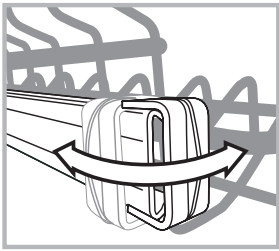
# Специальные программы и Дополнительные функции

RU

## Программа EXTRA

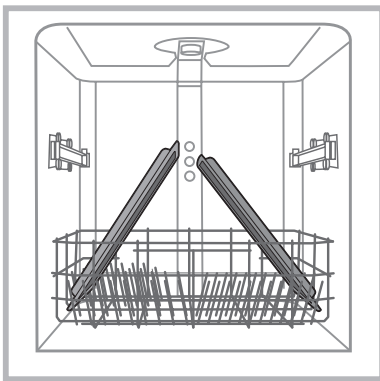
По программе EXTRA можно мыть в интенсивном режиме крупную посуду макс. высотой до 53 см: противени и решетки от духовки, лотки, решетки варочной панели, большие кастрюли, сервировочные блюда, тарелки для пиццы, фильтры из нержавеющей стали от кухонных вытяжек.

Для загрузки крупной посуды необходимо вынуть верхнюю корзину.



Откройте два блокировочных рычага справа и слева и выньте корзину.

С установленной верхней корзиной блокировочные рычаги должны быть всегда закрыты.



Для того, чтобы струя могла достигнуть всех частей посуды, расположите посуду так, как показано на схеме.

Цикл может быть использован также для деликатной посуды большого размера, используя доп. функцию Extra Light (см. *Дополнительные функции мойки*).

Не включайте посудомоечную машину без верхней корзины с циклами мойки, кроме EXTRA.

Для выполнения цикла Extra с доп. функцией Light поместите моющее средство непосредственно в бак машины, а не в дозатор.

## Дополнительные функции мойки\*

Вы можете выбрать, изменить или отменить ДОПОЛНИТЕЛЬНЫЕ ФУНКЦИИ только после выбора программы мойки и до нажатия кнопки Пуск/Пауза.

Могут быть выбраны только функции, совместимые с выбранной программой мойки. Если какая-либо функция несовместима с выбранной программой (см. *Таблицу программ*), соответствующий символ/индикатор часто мигнет 3 раза.

При выборе дополнительной функции, несовместимой с ранее выбранной другой дополнительной функцией, индикатор этой функции мигает 3 раза и гаснет, в то время как останется включенным индикатор последней выбранной функции.

Для отмены ошибочно выбранной функции вновь нажмите соответствующую кнопку.



## Половина загрузки/Extra light

Кнопка имеет двойную функцию: ПОЛОВИНА ЗАГРУЗКИ и EXTRA LIGHT.

Выберите программу мойки кнопкой ПОЛОВИНА ЗАГРУЗКИ/EXTRA LIGHT: загорится индикатор.

Еще одно нажатие кнопки ПОЛОВИНА ЗАГРУЗКИ/EXTRA LIGHT отменяет эту функцию.

### Половина загрузки

Если посуда не сильно загрязнена, можно запрограммировать половину загрузки, что позволяет сэкономить воду, электроэнергию и моющее вещество.

**Не забудьте засыпать только половину дозы моющего средства.**

### Extra light

Совместима только с программой EXTRA.

Эта доп. функция делает программу EXTRA пригодной для посуды и деликатных предметов большого размера. Доп. функция не предусматривает сушку.



Проверьте, чтобы предметы и посуда были пригодными для мойки в посудомоечной машине.



## Многофункциональные таблетки (Tabs)

Эта функция позволяет оптимизировать результат мойки и сушки.

В случае использования многофункциональных таблеток нажмите кнопку МНОГОФУНКЦИОНАЛЬНЫЕ ТАБЛЕТКИ, символ загорится; при повторном нажатии этой кнопки данная функция отключается.



Функция «Многофункциональные таблетки» увеличивает продолжительность программы.



Использование моющего средства в таблетках рекомендуется, только если имеется такая функция, и не рекомендуется для программ, не предусматривающих использование многофункциональных таблеток.



## Отложенный запуск

Запуск программы может быть отложен на время от 1 до 24 часов:

1. Выбрав нужную программу мойки и возможные дополнительные функции, нажмите кнопку ОТЛОЖЕННЫЙ ЗАПУСК: индикатор загорится. Той же кнопкой выберите время запуска цикла мойки. (01 ч, 02 ч и т.д.)
2. Подтвердите выбор кнопкой ПУСК/ПАУЗА, начнется обратный отсчет времени.
3. По окончании обратного отсчета индикатор ОТЛОЖЕННОГО ЗАПУСКА гаснет, и цикл мойки запускается.

Для отмены функции ОТЛОЖЕННЫЙ ЗАПУСК нажмите кнопку ОТЛОЖЕННЫЙ ЗАПУСК до тех пор, пока на дисплее не появится **ВЫКЛ.**

**После запуска цикла нельзя задать Отложенный запуск.**

\* Имеется только в некоторых моделях.

# Ополаскиватель и регенерирующая соль

**⚠** Используйте только специальные моющие средства для посудомоечных машин. Не используйте поваренную или промышленную соль и моющие средства для ручного мытья посуды.

Следуйте инструкциям, приведенным на упаковке моющего средства.

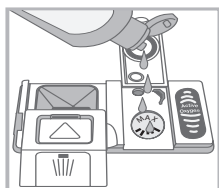
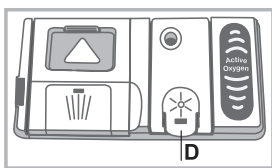
**⚠** Если вы используете многофункциональное моющее средство, ополаскиватель добавлять не нужно, рекомендуется добавить соль, в особенности, если водопроводная вода жесткая или очень жесткая. (Следуйте инструкциям, приведенным на упаковке моющего средства).

**⚠** Если вы не добавляете ни соли, ни ополаскивателя, индикаторы **ОТСУТСТВИЕ СОЛИ\*** и **ОТСУТСТВИЕ ОПОЛАСКИВАТЕЛЯ\*** будут всегда гореть, что является нормальным.

## Заливка ополаскивателя

Ополаскиватель облегчает сушку посуды, так как вода лучше стекает с ее поверхности, и на посуде таким образом не остается разводов или пятен. Необходимо долить ополаскиватель в дозатор:

- когда на консоли управления загорается индикатор **ОТСУТСТВИЕ ОПОЛАСКИВАТЕЛЯ\***, остаточное количество ополаскивателя хватит еще на 1-2 цикла;



1. Откройте дозатор “D”, нажав на язычок и подняв его на крышке;
2. Осторожно залейте ополаскиватель до максимальной отметки дозатора, избегая его утечки. Если Вы случайно пролили ополаскиватель мимо дозатора, удалите излишек сухой губкой.
3. Закройте крышку с щелчком.

**НИКОГДА не заливайте ополаскиватель непосредственно в моечную камеру машины.**

## Отрегулируйте дозу ополаскивателя

Если Вас не удовлетворяет качество сушки, можно отрегулировать дозу ополаскивателя. Включите и выключите посудомоечную машину кнопкой ВКЛ./ВЫКЛ.

Нажмите кнопку Пуск/Пауза 3 раза; включите машину кнопкой ВКЛ./ВЫКЛ., открывается меню настроек и загорается индикатор ополаскивателя. (заводская настройка)

Отрегулируйте уровень дозирования ополаскивателя кнопкой программы Р. (от 0 до 4 Макс.).

**Нажмите кнопку ВКЛ./ВЫКЛ. для сохранения настройки.** Уровень ополаскивателя можно настроить на НОЛЬ. В этом случае ополаскиватель не используется, и индикатор отсутствия ополаскивателя по причине его отсутствия не загорается.

- если на посуде остаются белые разводы, отрегулируйте подачу ополаскивателя на меньшее значение (1-2).
- если на посуде остаются капли воды или пятна накипи, отрегулируйте подачу ополаскивателя на более высокое значение (3-4).

## Выбор степени жесткости воды

Все посудомоечные машины укомплектованы смягчителем воды, который благодаря специальной регенерирующей соли для посудомоечных машин удаляет известь из воды,

используемой для мытья посуды.

Данная посудомоечная машина может быть настроена таким образом, чтобы сократить загрязнение окружающей среды и оптимизировать качество мытья посуды в зависимости от жесткости воды. Вы можете узнать степень жесткости воды в вашем районе, обратившись в организацию водоснабжения.

- Включите машину кнопкой ВКЛ./ВЫКЛ., подождите несколько секунд, затем выключите машину кнопкой ВКЛ./ВЫКЛ. Держите нажатой кнопку Пуск/Пауза 3 секунды; включите машину кнопкой ВКЛ./ВЫКЛ., открывается меню настроек и загорается индикатор регенерирующей соли.

- Выберите кнопкой Р нужную степень (от 1 до макс. 5\* Макс. в соответствии с моделью посудомоечной машины)

(смягчитель настроен на среднюю степень жесткости).

**Нажмите кнопку ВКЛ./ВЫКЛ. для сохранения настройки.**

Если Вы пользуетесь многофункциональными таблетками, бачок с регенерирующей солью должен быть в любом случае заполнен.

Таблица жесткости воды				Средняя автономность** бачок для соли
уровень	°dH	°fH	mmol/l	месяцы
1	0 - 6	0 - 10	0 - 1	7 месяцев
2	6 - 11	11 - 20	1,1 - 2	5 месяцев
3	12 - 17	21 - 30	2,1 - 3	3 месяца
4	17 - 34	31 - 60	3,1 - 6	2 месяца
5*	34 - 50	61 - 90	6,1 - 9	2/3 недели

От 0°f да 10°f рекомендуется не использовать соль.  
\* при установке 5, продолжительность цикла может увеличиться.  
\*\* 1 цикл в день.

(°dH = жесткость в немецких градусах - °fH = жесткость во французских градусах - ммоль/л = миллимоль/литр)

## Загрузка регенерирующей соли

Для хорошего результата мойки необходимо проверить, чтобы бачок соли никогда не был пуст.

Регенерирующая соль удаляет из воды известь, которая в противном случае остается на посуде.

Бачок соли расположен в нижней части посудомоечной машины (см. Описание) и заполняется:

- когда зеленый поплавок\* не виден через крышку бачка с регенерирующей солью;
- когда на консоли управления/дисплее загорается индикатор/символ **ОТСУТСТВИЕ СОЛИ\***;

1. Выньте нижнюю корзину и отвинтите крышку бачка против часовой стрелки.

2. Только для первого использования: заполните бачок водой до краев.

3. Вставьте воронку\* (см. схему) и засыпьте в емкость соль до краев (примерно 1 кг); выход воды из емкости является нормальным.

4. Выньте воронку\*, удалите остатки соли с краев отверстия; ополосните пробку под струей воды перед ее закручиванием на место, переверните ее, сливая воды из четырех прорезей, звездообразно расположенных в нижней части пробки. (пробка с зеленым поплавком\*)

**Рекомендуется производить эту операцию при каждой засыпке соли.**

Плотно закройте крышку, для того чтобы во время мойки в емкость не попадало моющее средство (может быть непоправимо повреждено устройство смягчения воды).

**⚠** При необходимости загрузите соль перед циклом мойки, таким образом, соляной раствор, вылившийся через край бачка, удалится.

\*Имеется только в некоторых моделях.

# Техническое обслуживание и уход

RU

## Отключение воды и электрического тока

- Перекрывайте водопроводный кран после каждой мойки во избежание опасности утечек.
- Выньте штепсельную вилку машины из электророзетки перед началом чистки и технического обслуживания.

## Чистка посудомоечной машины

- Для чистки наружных поверхностей и панели управления машины используйте мягкую тряпку, смоченную водой. Не используйте растворители или абразивные чистящие средства.
- Возможные пятна внутри камеры мойки можно удалить при помощи тряпки, смоченной в воде с небольшим количеством уксуса.

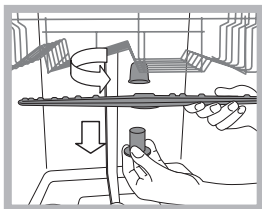
## Средства против неприятных запахов

- Всегда оставляйте дверцу машины полу-прикрытой во избежание застоя влажности.
- Регулярно прочищайте периметральные уплотнения дверцы и дозаторов моющего средства при помощи влажной губки. Таким образом удаляются остатки пищи – основной причины образования неприятных запахов.

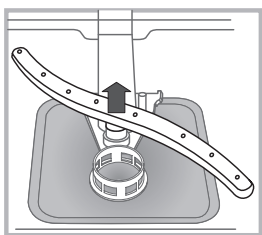
## Чистка оросителей

Остатки пищи могут прилипнуть к лопастям оросителей и засорить отверстия, из которых выходит вода: время от времени следует проверять оросители и прочищать их неметаллической щеткой.

Оба оросителя являются съемными.



Для съема верхнего оросителя необходимо отвинтить против часовой стрелки пластмассовую гайку. Верхний ороситель устанавливается отверстиями вверх.



Для съема нижнего оросителя нажмите на шпонки с боков и потяните его вверх.

## Очистка водного фильтра\*

Если водопровод новый или если он долгое время не использовался, перед подсоединением дайте воде стечь до тех пор, пока она не станет прозрачной. Несоблюдение этого условия может привести к засорению фильтра и к повреждению посудомоечной машины.

Периодически очищайте водный фильтр, расположенный на выходе крана.

- Перекройте водопроводный кран.
- Открутите края трубы загрузки воды, снимите фильтр и аккуратно промойте его под струей воды.
- Снова вставьте фильтр и закрепите трубу.

## Чистка фильтров

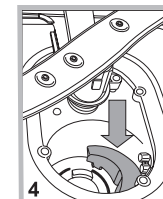
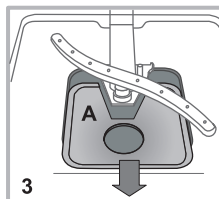
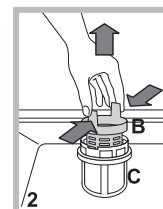
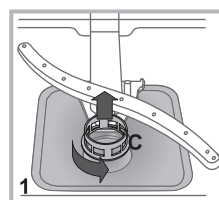
Фильтрующий узел состоит из трех фильтров, которые служат для очистки воды для мойки от остатков пищи и возвращают воду в циркуляцию: для хороших результатов мойки необходимо прочищать фильтры.

Регулярно прочищайте фильтры.

Запрещается пользоваться посудомоечной машиной без фильтров или с незакрепленным фильтром.

• После нескольких циклов мойки проверьте фильтрующий узел и при необходимости тщательно промойте его под струей воды при помощи неметаллической щетки, следуя приведенным ниже инструкциям:

1. поверните против часовой стрелки цилиндрический фильтр С и выньте его (схема 1).
2. Выньте стакан фильтр В, слегка нажав на боковые выступы (Схема 2);
3. Выньте плоский фильтр из нержавеющей стали А (схема 3).
4. Проверка отстойника и удаление возможных остатков пищи. **НИКОГДА НЕ СНИМАЙТЕ** крышку насоса (деталь черного цвета) (рис. 4).



После чистки фильтров точно установите фильтрующий узел на свое место, что является важным для исправной работы посудомоечной машины.

## Длительный простой машины

- Отсоедините машину от сети электропитания и перекройте водопроводный кран.
- Оставьте дверцу машины полу-прикрытой.
- После длительного простоя машины произведите один холостой цикл мойки.

\* Имеется только в некоторых моделях

# Неисправности и методы их устранения



RU

В случае обнаружения аномалий в работе изделия проверьте следующие пункты перед тем, как обратиться в Сервис технического обслуживания.

Неисправности:	Возможные причины / Методы устранения:
Посудомоечная машина не запускается или не реагирует на команды	<ul style="list-style-type: none"> <li>Выключите машину кнопкой ВКЛ./ВЫКЛ., вновь включите ее примерно через одну минуту и вновь задайте программу.</li> <li>Проверьте, хорошо ли штепсельная вилка вставлена в сетевую розетку.</li> <li>Дверца машины плохо закрыта.</li> </ul>
Дверца не закрывается	<ul style="list-style-type: none"> <li>Защелкнулся замок; энергично толкните дверцу вплоть до щелчка.</li> </ul>
Посудомоечная машина не сливает воду.	<ul style="list-style-type: none"> <li>Программа еще не завершилась.</li> <li>Сливной шланг согнут (см. Установка).</li> <li>Засорился слив в раковине.</li> <li>Фильтр засорен остатками пищи.</li> </ul>
Шумная работа посудомоечной машины.	<ul style="list-style-type: none"> <li>Посуда бьется друг о друга или о лопасти оросителей.</li> <li>Слишком много пены: моющее средство использовано в неправильном количестве или не подходит для мойки в посудомоечных машинах. (см. Запуск и эксплуатация).</li> </ul>
На посуде и стаканах остается беловатый или известковый налет.	<ul style="list-style-type: none"> <li>Отсутствует регенерирующая соль или регуляция ее расхода не соответствует степени жесткости воды (см. Ополаскиватель и соль).</li> <li>Крышка бачка соли плохо закрыта.</li> <li>Закончился ополаскиватель, или его дозировка недостаточна.</li> </ul>
На посуде и стаканах остаются голубоватые разводы или налеты.	<ul style="list-style-type: none"> <li>Чрезмерная дозировка ополаскивателя.</li> </ul>
Посуда плохо высушена.	<ul style="list-style-type: none"> <li>Была выбрана программа мойки без сушки.</li> <li>Закончился ополаскиватель или настроена недостаточная его дозировка (см. Ополаскиватель и соль).</li> <li>Неправильно настроен расход ополаскивателя.</li> <li>Посуда с тефлоновым покрытием или из пластика.</li> </ul>
Посуда плохо вымыта.	<ul style="list-style-type: none"> <li>Корзины перегружены (см. Загрузка корзин).</li> <li>Посуда плохо расположена в корзинах.</li> <li>Посуда мешает вращению лопастей оросителей.</li> <li>Выбрана неэффективная программа мойки (см. Программы).</li> <li>Слишком много пены: моющее средство использовано в неправильном количестве или не подходит для мойки в посудомоечных машинах. (см. Запуск и эксплуатация).</li> <li>Крышка ополаскивателя плохо закрыта.</li> <li>Фильтр засорен (см. Техническое обслуживание и уход).</li> <li>Отсутствует регенерирующая соль (см. Ополаскиватель и соль).</li> </ul>
Посудомоечная машина не заливает воду - Сигнализация закрытого крана. (мигает индикатор ВКЛ./ВЫКЛ., и на дисплее показывается H2O, через несколько секунд показывается F 6).	<ul style="list-style-type: none"> <li>В водопроводе нет воды.</li> <li>Водопроводный шланг согнут (см. Монтаж).</li> <li>Откройте кран, машина запустится через несколько минут.</li> <li>Машина заблокировалась из-за отсутствия каких-либо действий после звуковых сигналов *.</li> </ul> <p>(*Имеется только в некоторых моделях)          Выключите машину кнопкой ВКЛ./ВЫКЛ., откройте водопроводный кран и через 20 секунд вновь включите машину при помощи той же кнопки. Перепрограммируйте машину и вновь запустите цикл.</p>

\* Имеется только в некоторых моделях.



Мы заботимся о своих покупателях и стараемся сделать сервисное обслуживание наиболее качественным. Мы постоянно совершенствуем наши продукты, чтобы сделать Ваше общение с техникой простым и приятным.

## Уход за техникой

Продлите срок эксплуатации и снизьте вероятность поломки техники.

Воспользуйтесь профессиональными средствами для ухода за техникой от Indesit Professional для наиболее простого, эффективного и легкого ухода за Вашей бытовой техникой.

Продукты Indesit Professional производятся в Италии с соблюдением высоких европейских стандартов в области качества, экологии и безопасности использования и созданы с учетом многолетнего опыта производителя техники. Узнайте подробнее на сайте [www.indesit.ru](http://www.indesit.ru) в разделе «Сервис» и спрашивайте в магазинах Вашего города.

## Авторизованные сервисные центры

Чтобы быть ближе к нашим потребителям, мы создали широкую сервисную сеть, особенностью которой является высокая подготовка, профессионализм и честность сервисных мастеров. На сегодняшний день она насчитывает около 350 сервисных центров на территории России и СНГ.

Их контакты Вы можете найти в сервисном сертификате и на сайте [www.indesit.ru](http://www.indesit.ru) в разделе «Сервис».

**Если вам надо обратиться в сервисный центр:**

**Внимание! При ремонте требуйте использования оригинальных запасных частей.**

## Перед тем как обратиться в Сервис Технического обслуживания:

- Проверьте, можно ли устранить неисправность самостоятельно (см. Неисправности и методы их устранения).
- Вновь запустите программу для проверки исправности машины.
- В противном случае обратитесь в уполномоченный Сервис Технического обслуживания.

**⚠ Никогда не обращайтесь к неуполномоченным техникам.**

## При обращении в Сервис Технического обслуживания сообщите:

- характер неисправности
- модель изделия (Мод.)
- серийный номер ("S/N")

Эти данные вы найдете на паспортной табличке, расположенной на изделии (см. Описание изделия).

Другую полезную информацию и новости Вы можете найти на сайте [www.indesit.ru](http://www.indesit.ru) в разделе «Сервис»